



US00D618737S

(12) **United States Design Patent**  
**Andersen**

(10) **Patent No.:** **US D618,737 S**  
(45) **Date of Patent:** **\*\* Jun. 29, 2010**

(54) **TOY CONSTRUCTION SET ELEMENT**

(75) Inventor: **Henrik Andersen**, Billund (DK)

(73) Assignee: **Lego A/S**, Billund (DK)

(\*\*) Term: **14 Years**

(21) Appl. No.: **29/315,664**

(22) Filed: **Jul. 14, 2009**

(30) **Foreign Application Priority Data**

Jan. 27, 2009 (EM) ..... 001076178

(51) **LOC (9) Cl.** ..... **21-01**

(52) **U.S. Cl.** ..... **D21/501**

(58) **Field of Classification Search** ..... D21/484,  
D21/485, 486, 489, 491, 494, 495, 499, 500-504,  
D21/811, 814; 446/69, 85, 102-128; 434/208,  
434/259, 403; 273/153, 156, 160; 428/174  
See application file for complete search history.

(56) **References Cited**

**U.S. PATENT DOCUMENTS**

999,466 A \* 8/1911 Richter ..... 446/108  
2,791,868 A \* 5/1957 Viken ..... 446/107  
4,270,303 A \* 6/1981 Xanthopoulos et al. .... 446/115  
D280,432 S \* 9/1985 Tapdrup ..... D21/502  
D350,786 S \* 9/1994 Plagborg et al. .... D21/502

D360,658 S \* 7/1995 Voldmester et al. .... D21/501  
D389,400 S \* 1/1998 Liang ..... D21/502  
D422,035 S \* 3/2000 Cyrus ..... D21/491  
D600,756 S \* 9/2009 Fleming ..... D21/502

\* cited by examiner

*Primary Examiner*—Cynthia M Chin

(74) *Attorney, Agent, or Firm*—Day Pitney LLP

(57) **CLAIM**

The ornamental design for a toy construction set element, as shown and described.

**DESCRIPTION**

FIG. 1 is a top perspective view of the toy construction set element of the present design;

FIG. 2 is a bottom perspective view thereof;

FIG. 3 is a front view thereof;

FIG. 4 is a rear view thereof;

FIG. 5 is a top plan view thereof;

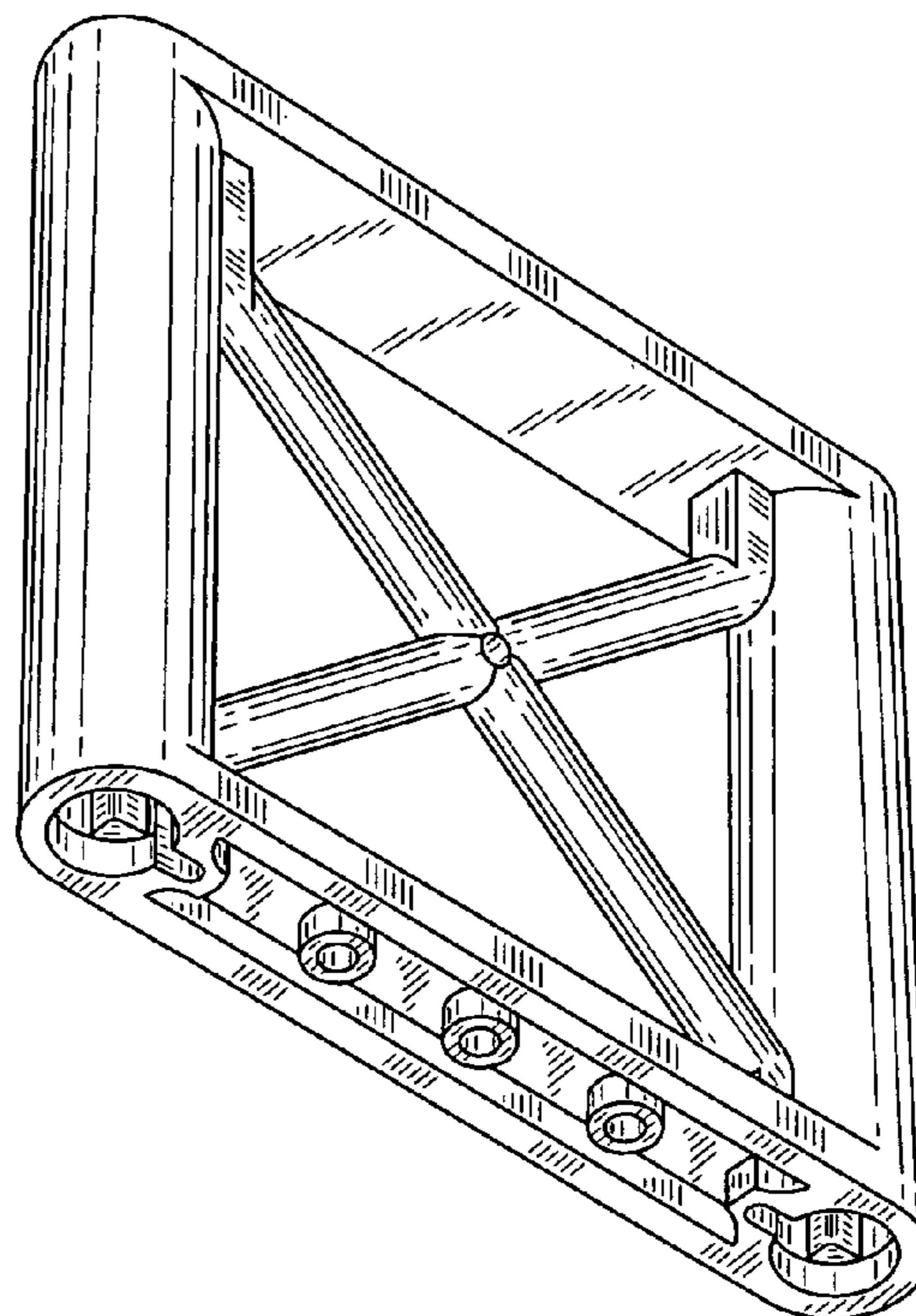
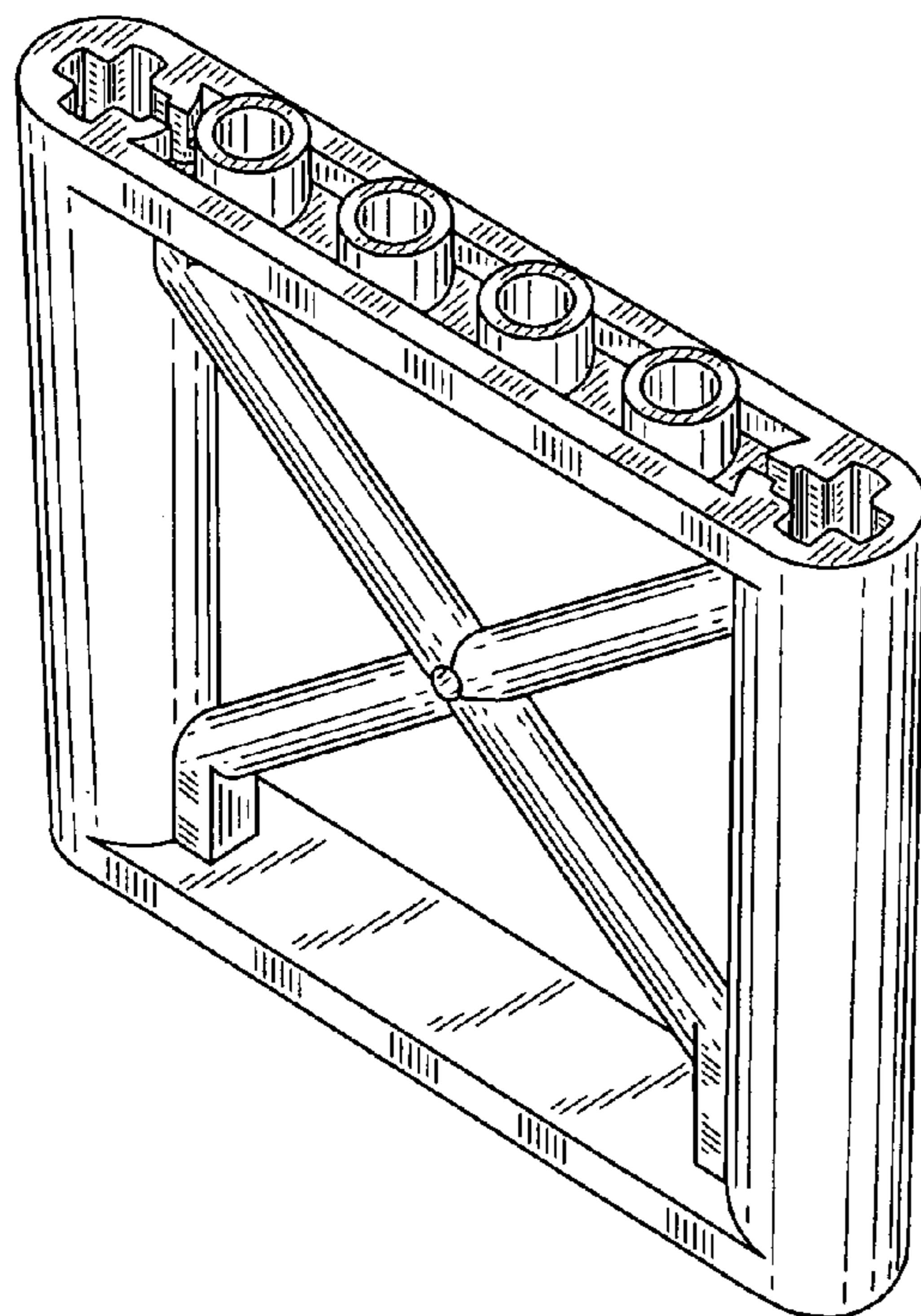
FIG. 6 is a bottom plan view thereof;

FIG. 7 is a right side view thereof; and,

FIG. 8 is a left side view thereof.

The broken lines represent portions of the design that form no part of the claim.

**1 Claim, 8 Drawing Sheets**



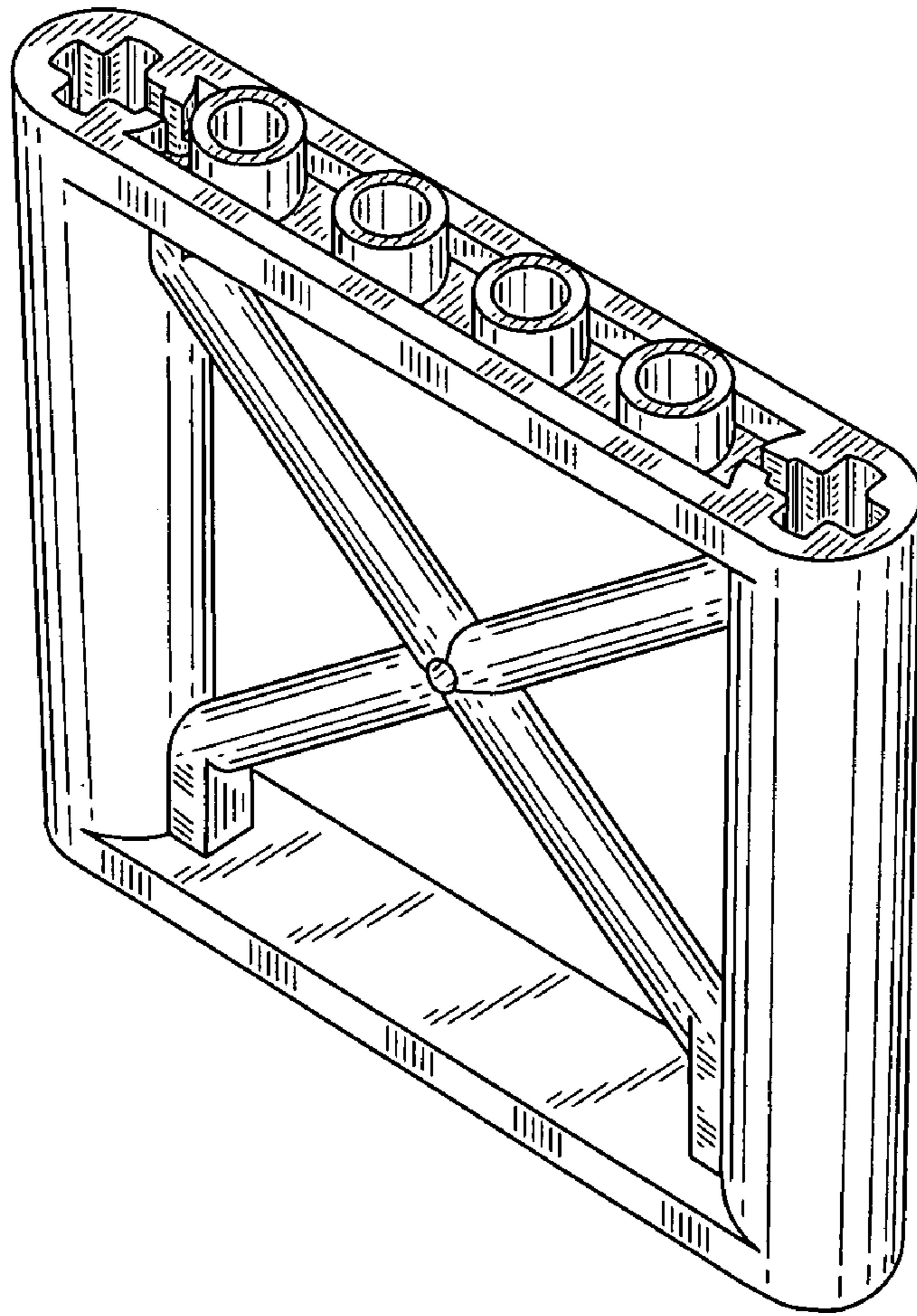


FIG. 1

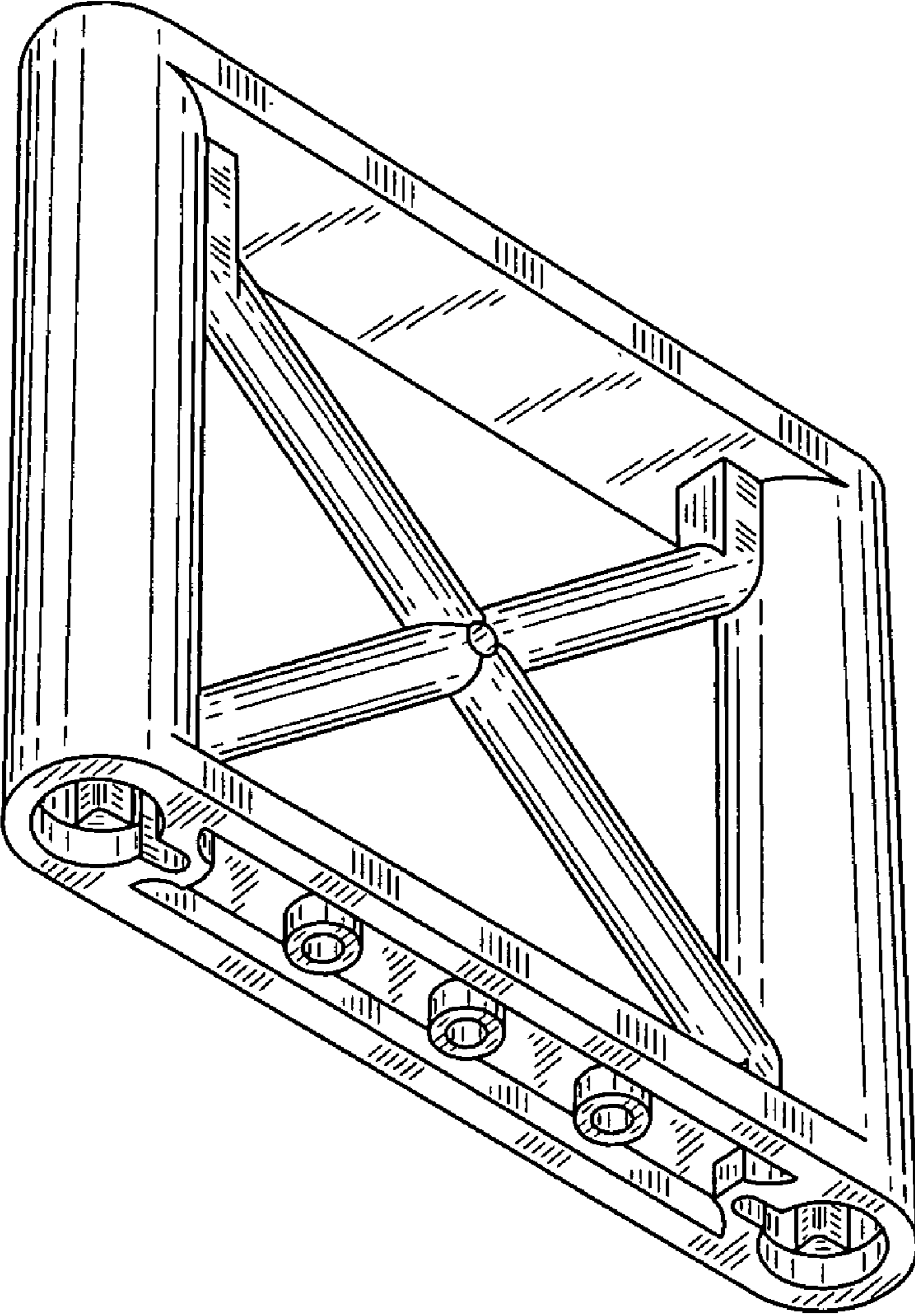


FIG. 2

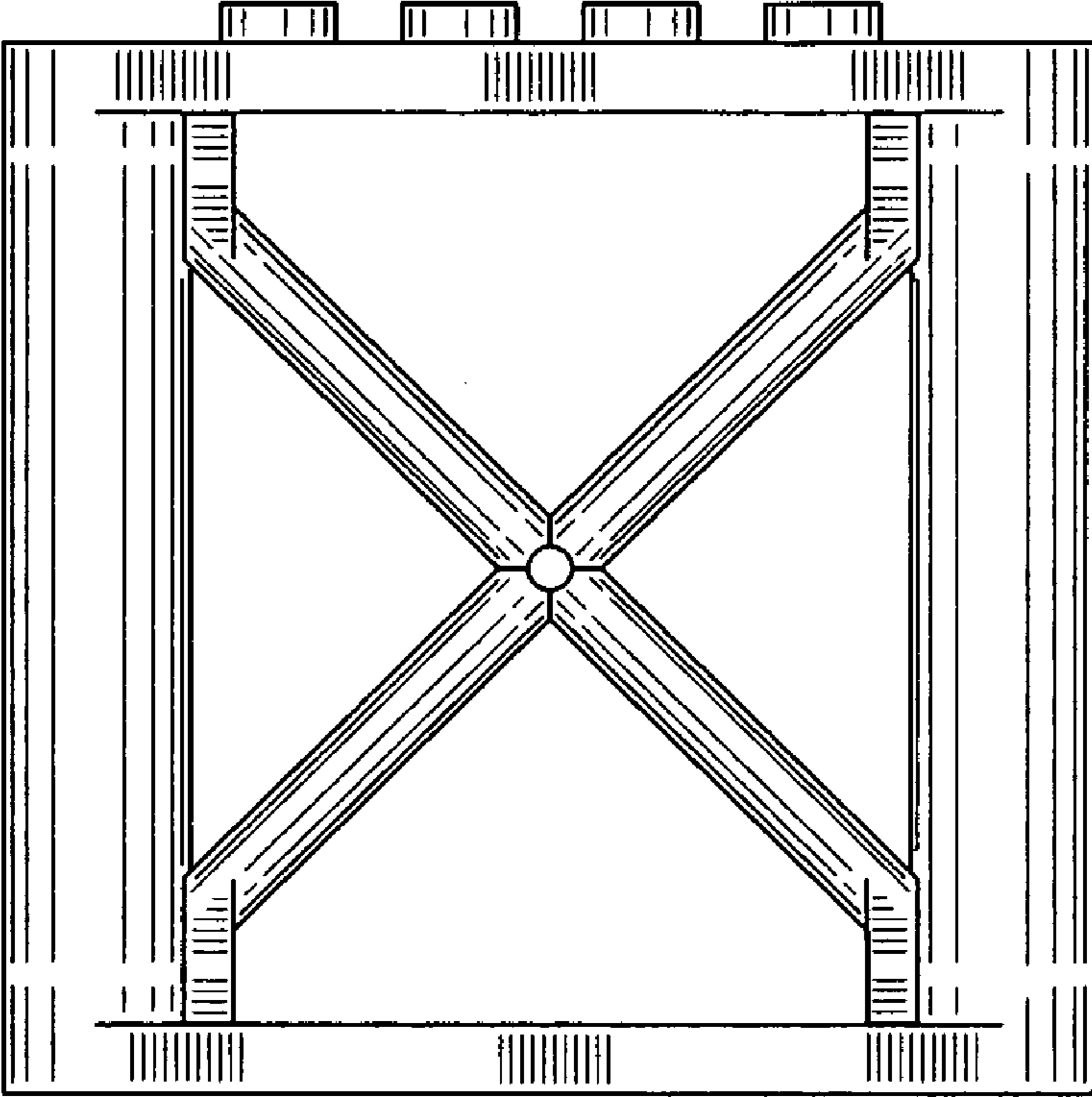


FIG. 3



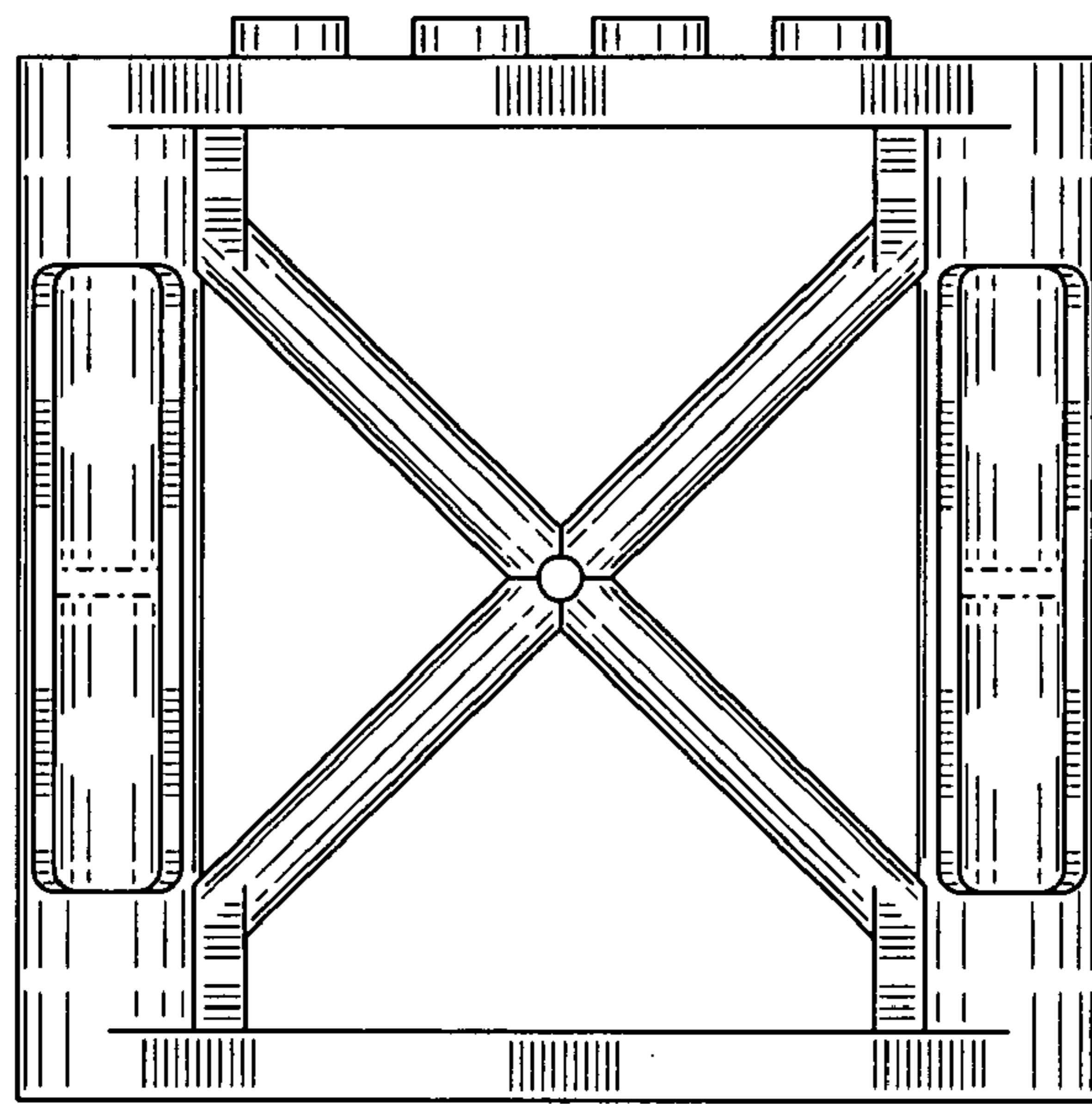


FIG. 4

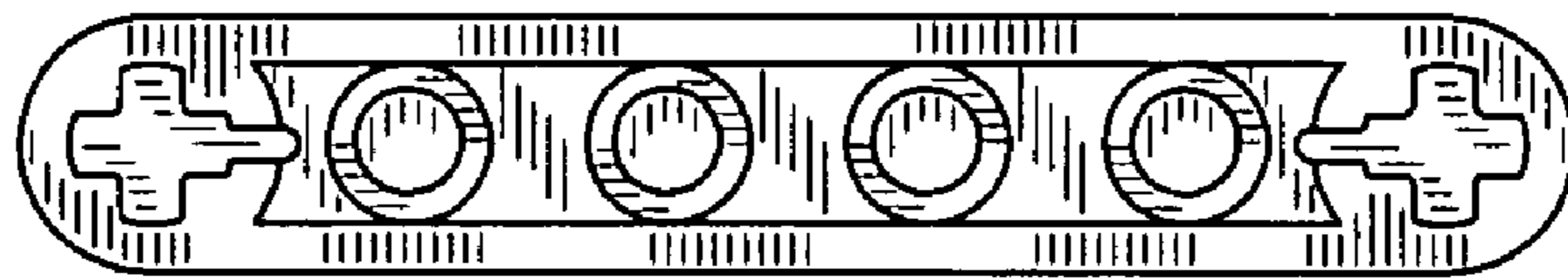


FIG. 5

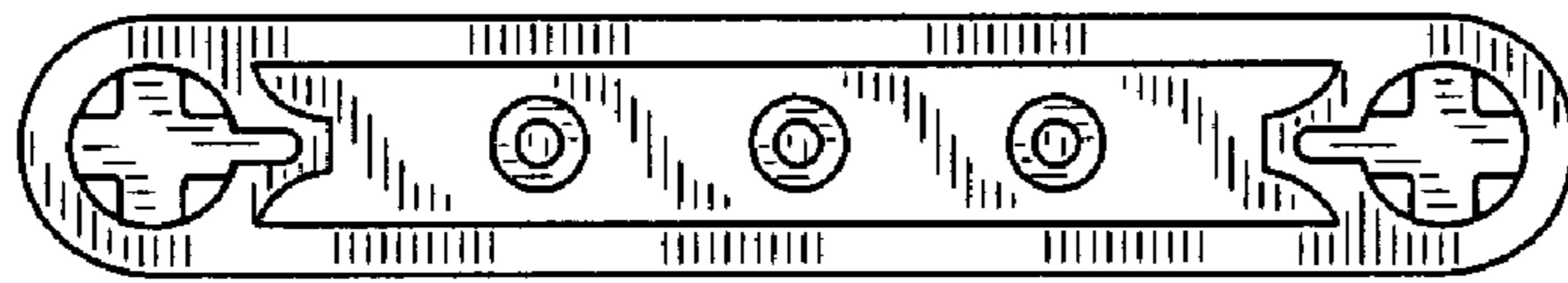


FIG. 6

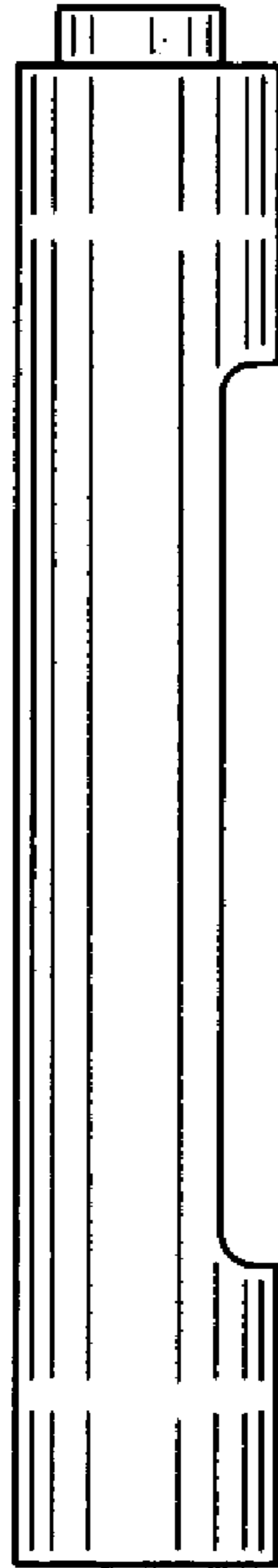


FIG. 7



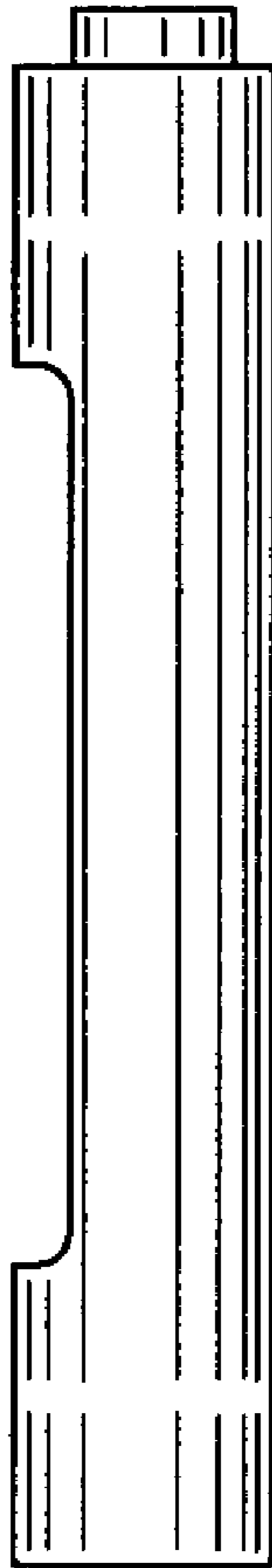


FIG. 8