



US00D618736S

(12) **United States Design Patent**
Kossmann

(10) **Patent No.:** **US D618,736 S**

(45) **Date of Patent:** **** *Jun. 29, 2010**

(54) **ELEMENT FOR A TOY CONSTRUCTION SET**

D547,394 S * 7/2007 Toft D21/484

D552,190 S * 10/2007 Glickman et al. D21/505

D556,271 S * 11/2007 Glickman et al. D21/505

(75) Inventor: **Markus Kossmann**, Kolding (DK)

(73) Assignee: **Lego A/S**, Billund (DE)

* cited by examiner

(*) Notice: This patent is subject to a terminal disclaimer.

Primary Examiner—Cynthia M Chin

(74) *Attorney, Agent, or Firm*—Day Pitney LLP

(**) Term: **14 Years**

(57) **CLAIM**

(21) Appl. No.: **29/315,673**

The ornamental design for an element for a toy construction set, as shown and described.

(22) Filed: **Jul. 14, 2009**

DESCRIPTION

(30) **Foreign Application Priority Data**

Jan. 27, 2009 (EM) 001076178

FIG. 1 is a top perspective view of the element for a toy construction set of the present design;

(51) **LOC (9) Cl.** **21-01**

FIG. 2 is a bottom perspective view thereof;

(52) **U.S. Cl.** **D21/489**

FIG. 3 is a front view thereof;

(58) **Field of Classification Search** D21/484,

D21/485, 486, 489, 491, 492, 493, 494, 495,

D21/499, 500–504; 446/69, 85, 102–128;

434/208, 259, 403; 273/153, 156, 160; 428/174

See application file for complete search history.

FIG. 4 is a rear view thereof;

FIG. 5 is a top plan view thereof;

FIG. 6 is a bottom plan view thereof;

FIG. 7 is a right side view thereof; and,

FIG. 8 is a left side view thereof.

(56) **References Cited**

U.S. PATENT DOCUMENTS

D354,108 S * 1/1995 Houry et al. D21/814

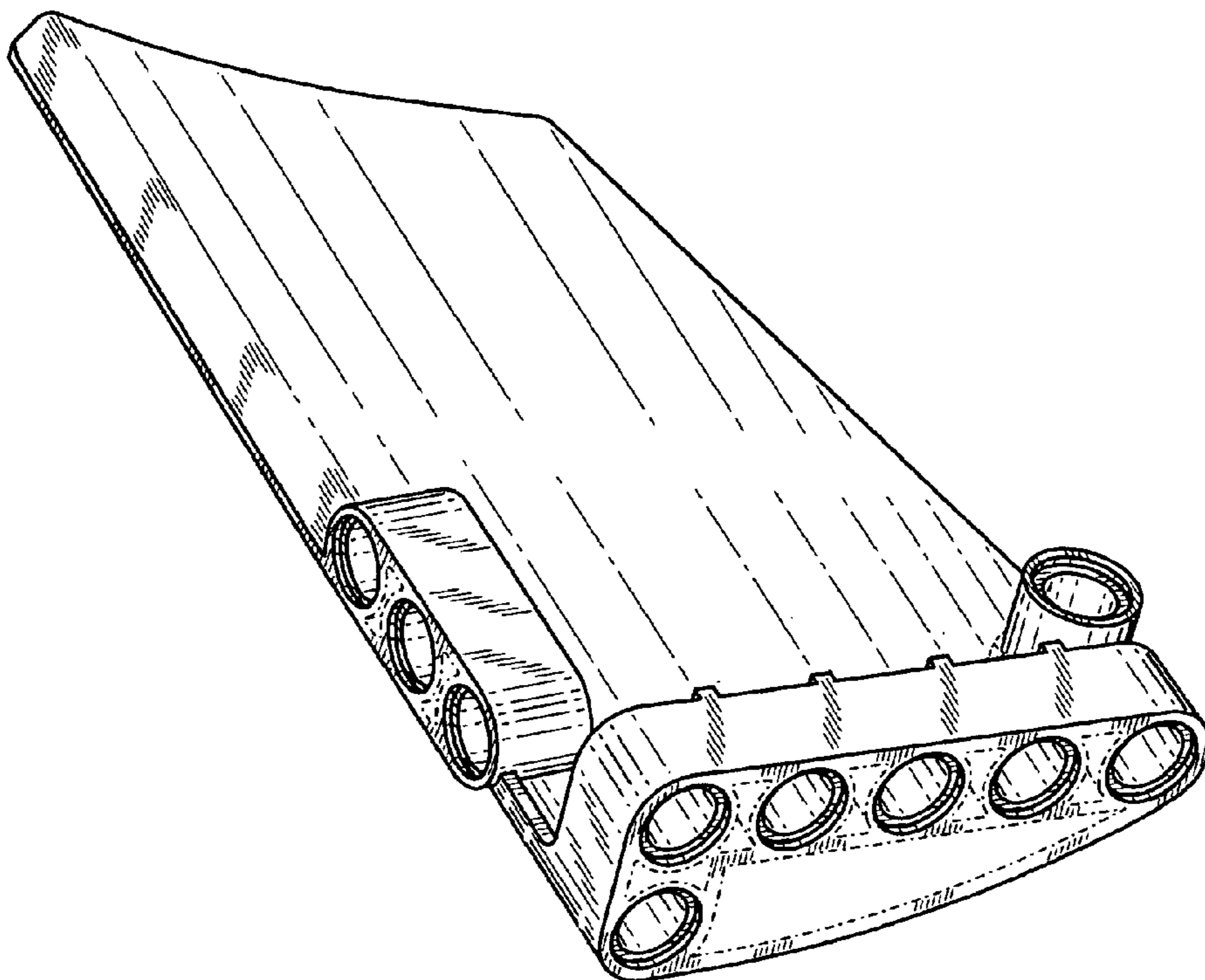
D380,787 S * 7/1997 Gabriel D21/489

D380,790 S * 7/1997 Gabriel D21/489

6,200,187 B1 * 3/2001 Olsen et al. 446/122

The broken lines immediately adjacent the shaded areas represent the bounds of the claim and all other broken lines represent unclaimed portions of the design. None of the broken lines form a part of the claimed design.

1 Claim, 8 Drawing Sheets



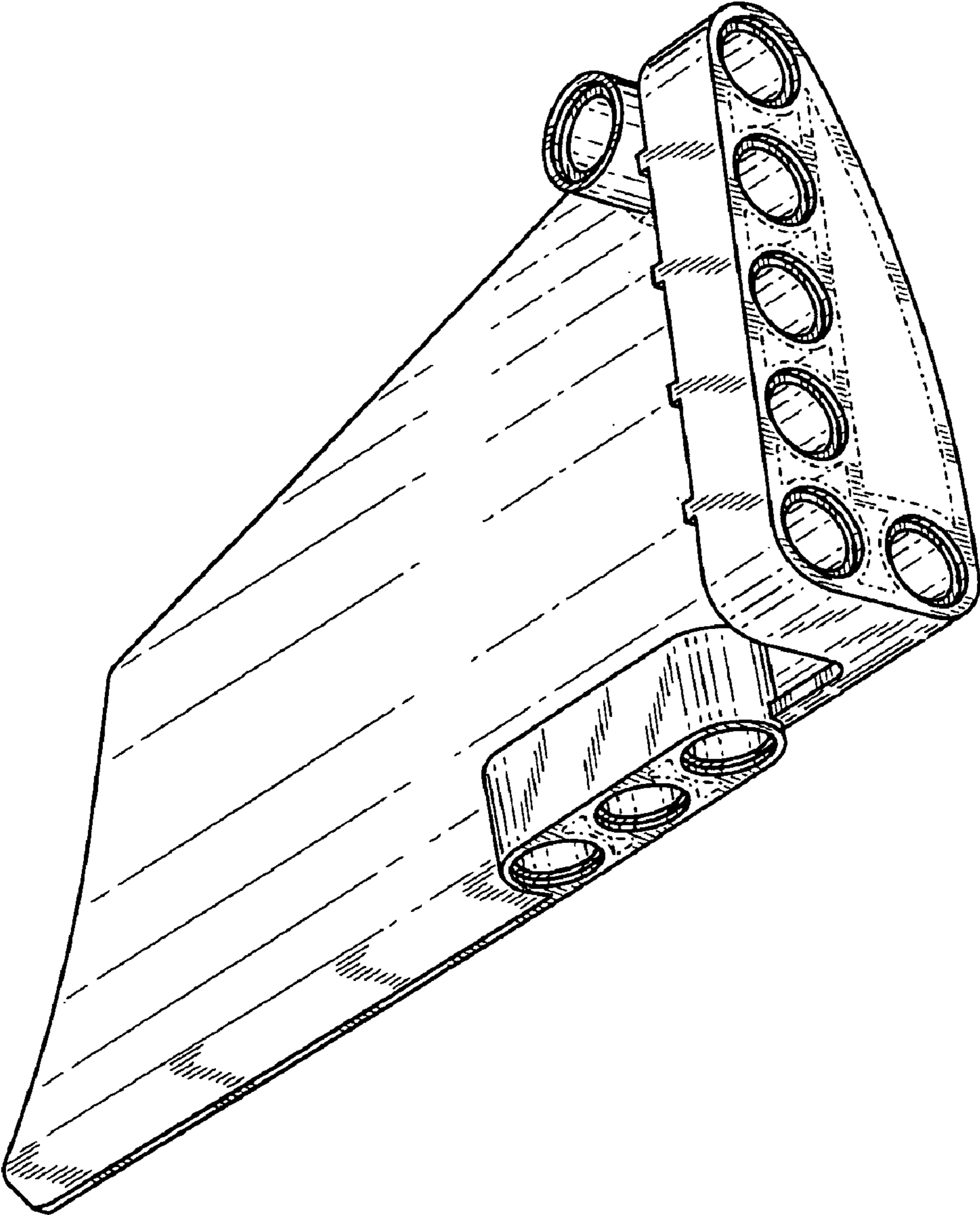


FIG. 1

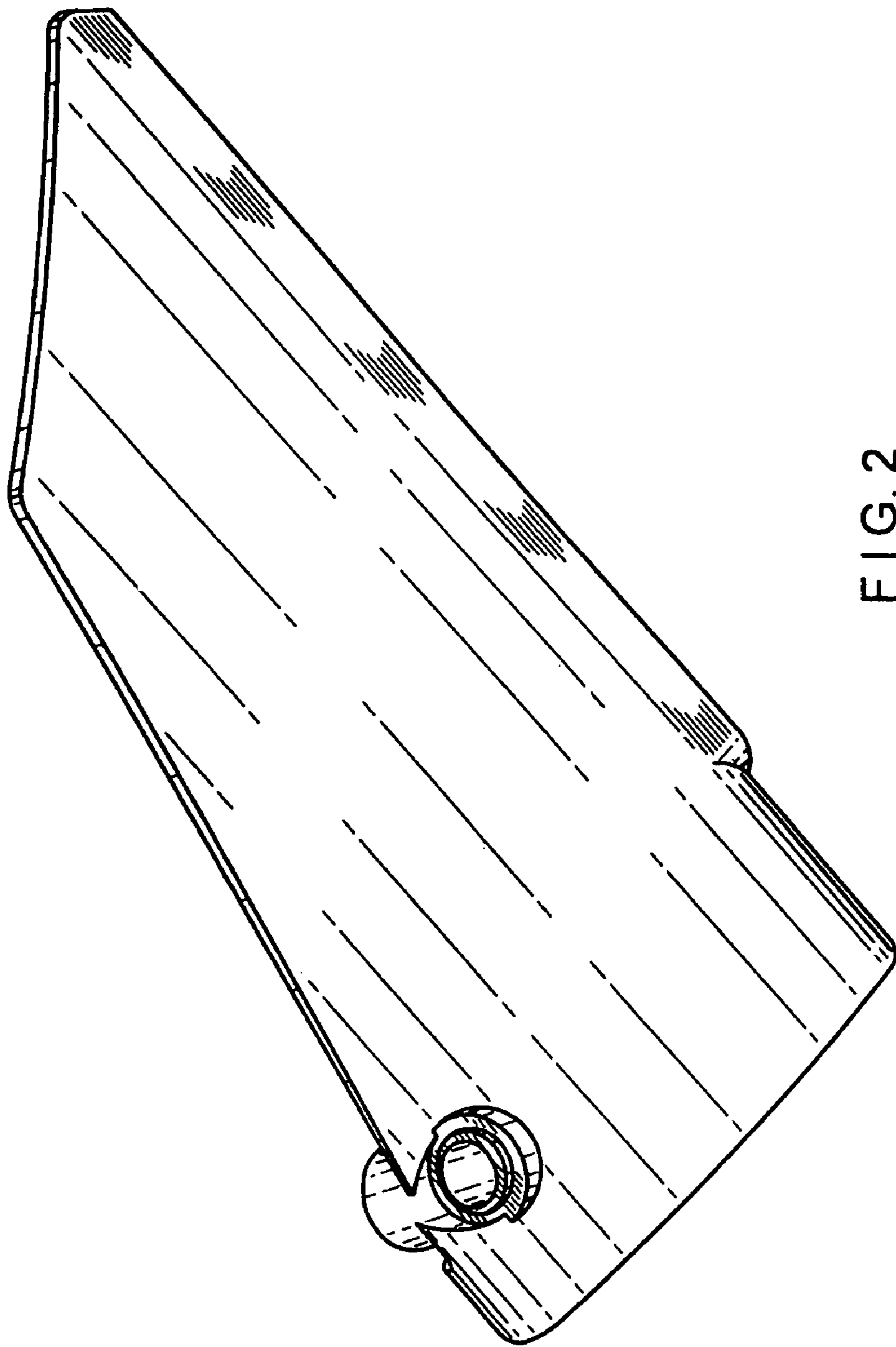


FIG. 2

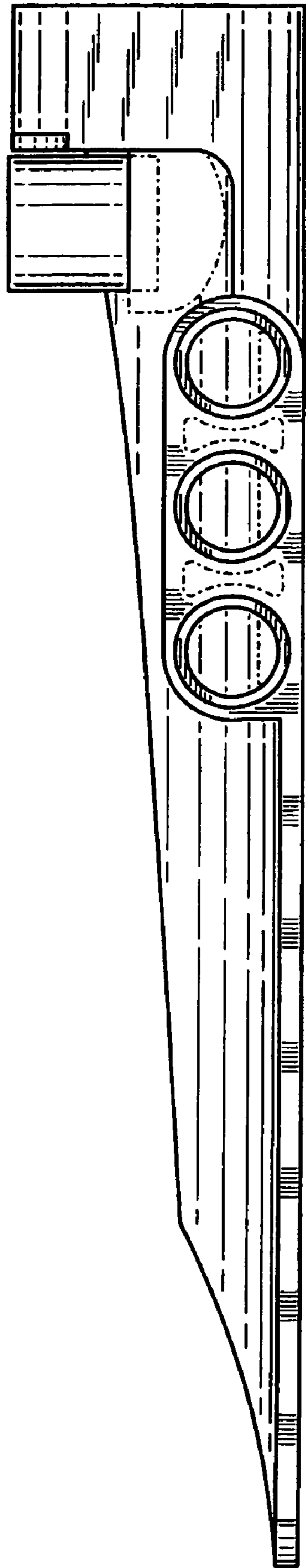


FIG. 3

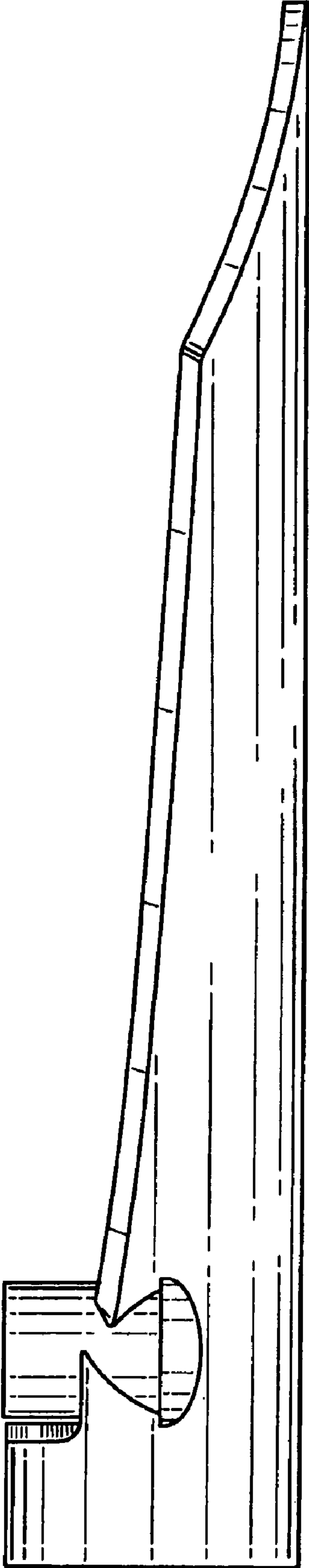


FIG. 4

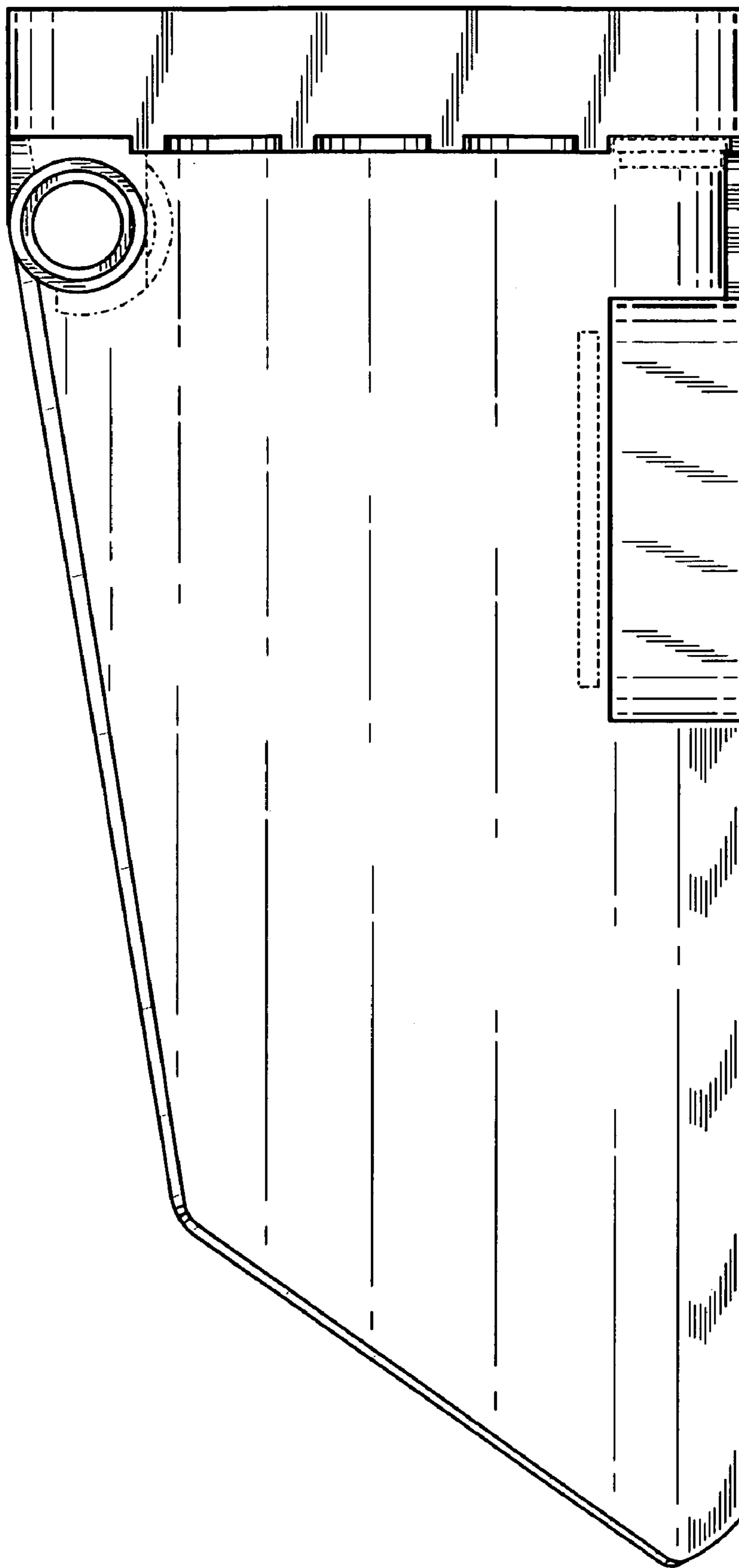


FIG. 5

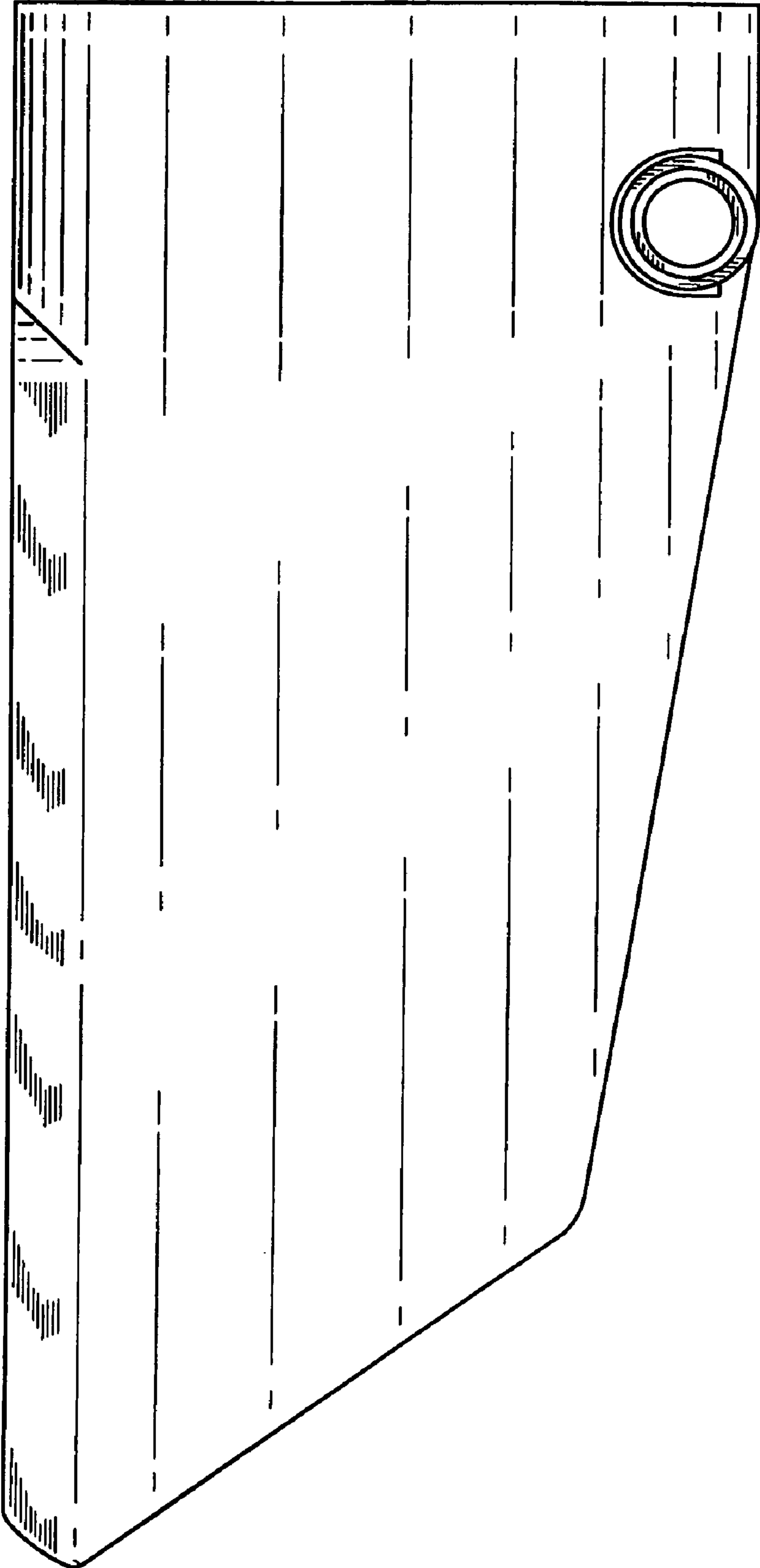


FIG. 6

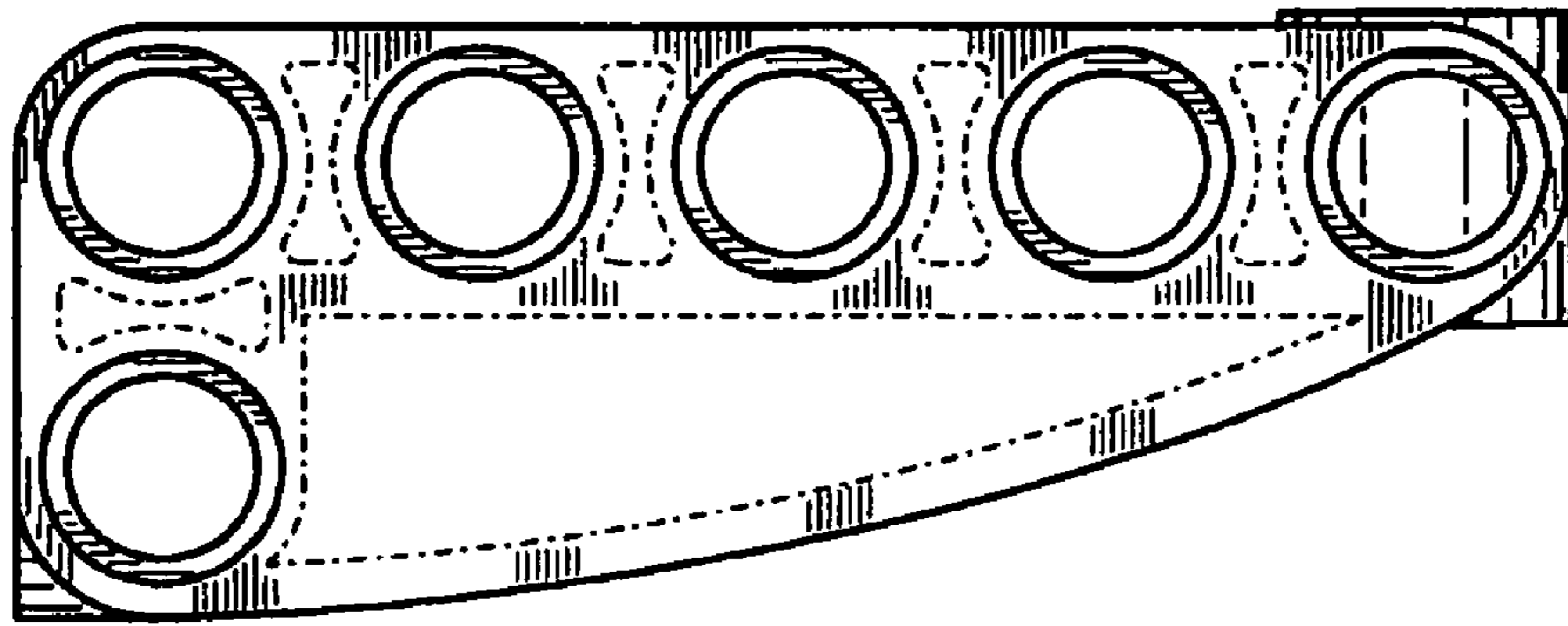


FIG. 7

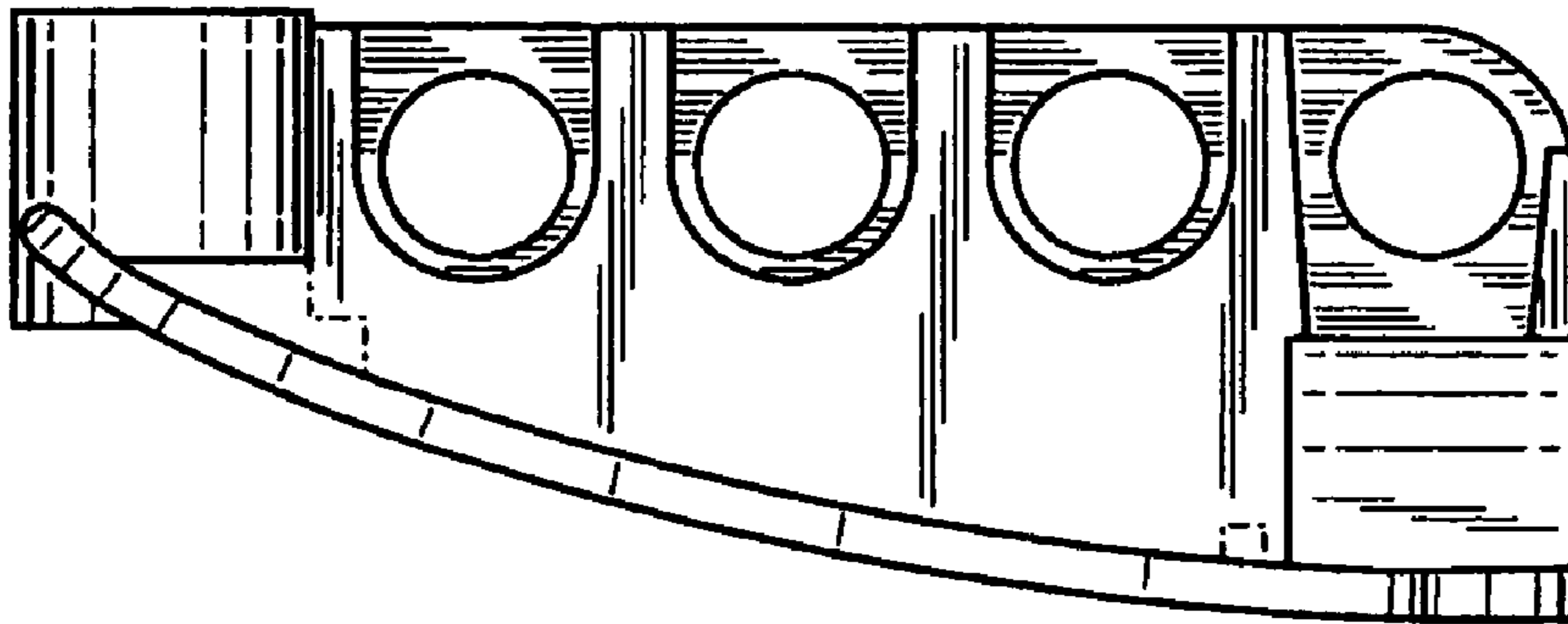


FIG. 8