



US00D618733S

(12) **United States Design Patent**
Kessler

(10) **Patent No.:** **US D618,733 S**

(45) **Date of Patent:** **** Jun. 29, 2010**

(54) **COLUMN SEGMENT**

(75) Inventor: **James J. Kessler**, Winter Garden, FL
(US)

(73) Assignee: **Lasertron, Inc.**, Amherst, NY (US)

(**) Term: **14 Years**

(21) Appl. No.: **29/310,006**

(22) Filed: **Jul. 21, 2008**

(51) **LOC (9) Cl.** **21-01**

(52) **U.S. Cl.** **D21/302; D21/301**

(58) **Field of Classification Search** **D21/300-302;**
463/30-35, 40-52; 273/148 B, 317, 317.1,
273/348; 473/578; D22/100, 107, 113, 114
See application file for complete search history.

(56) **References Cited**

U.S. PATENT DOCUMENTS

4,157,182	A *	6/1979	Levine	463/52
4,363,484	A *	12/1982	Breslow et al.	463/3
D398,030	S *	9/1998	Wong	D21/324
7,004,469	B2 *	2/2006	von Goeben	273/348
D525,312	S *	7/2006	Rinehart	D21/302
7,244,183	B1 *	7/2007	England	463/48
D567,296	S *	4/2008	Kharitonova et al.	D21/302

2002/0198055	A1 *	12/2002	Bull et al.	463/49
2006/0116770	A1 *	6/2006	White et al.	623/17.16
2006/0287114	A1 *	12/2006	Luong	463/51
2008/0054563	A1 *	3/2008	Shapiro et al.	273/238

* cited by examiner

Primary Examiner—Prabhakar Deshmukh

(74) *Attorney, Agent, or Firm*—Simpson & Simpson, PLLC

(57) **CLAIM**

The ornamental design for a column segment, as shown and described.

DESCRIPTION

FIG. 1 is a perspective view of a column segment of the present invention;

FIG. 2 is a front view of the column segment;

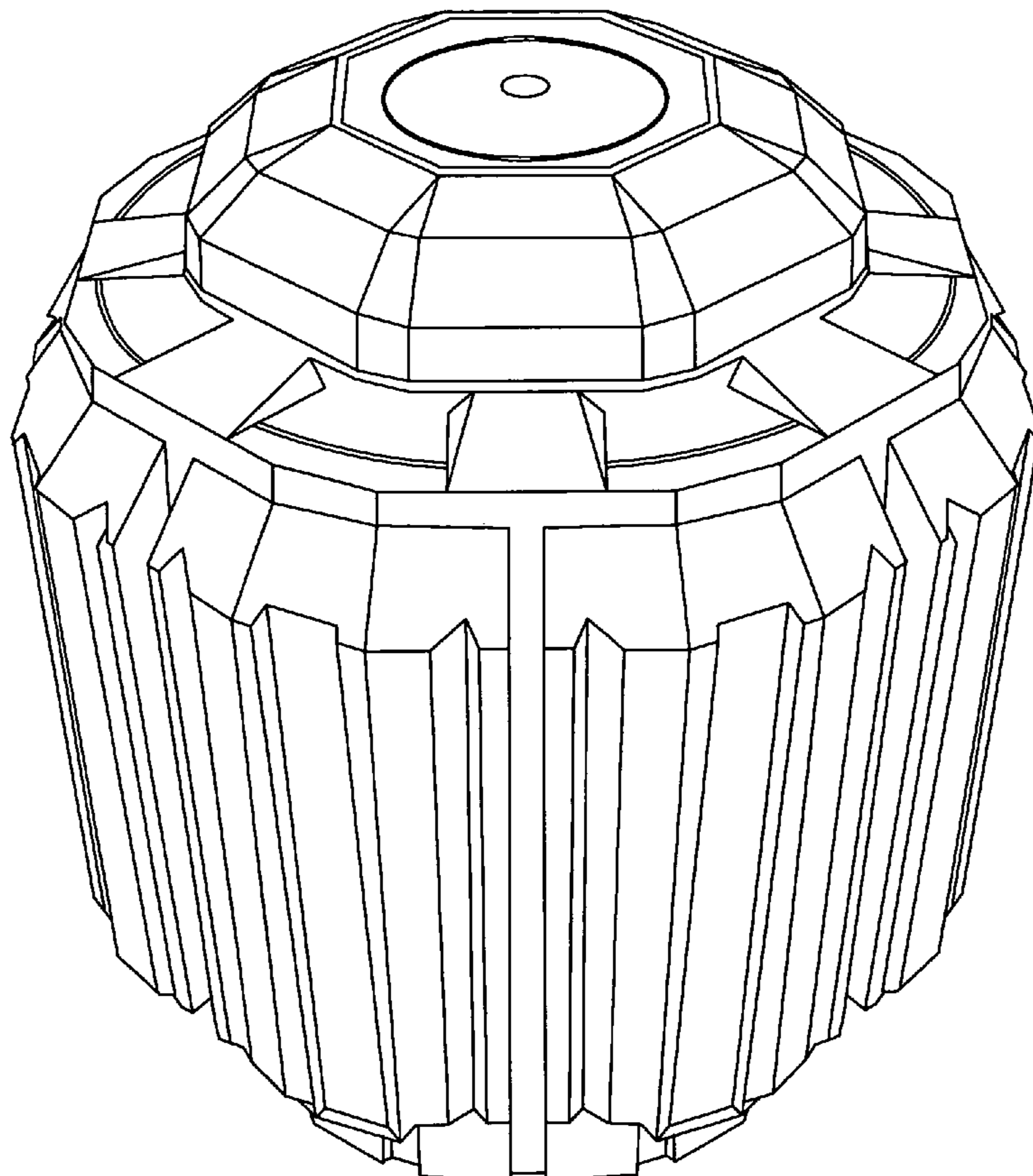
FIG. 3 is a top plan view of the column segment; and,

FIG. 4 is a bottom plan view of the column segment.

A left side view, a right side view, and a back side view have been omitted since they are each identical to the front view.

The broken line illustrations of portions of the bottom shown in FIG. 4 are for illustrative purposes only and form no part of the claimed invention.

1 Claim, 4 Drawing Sheets



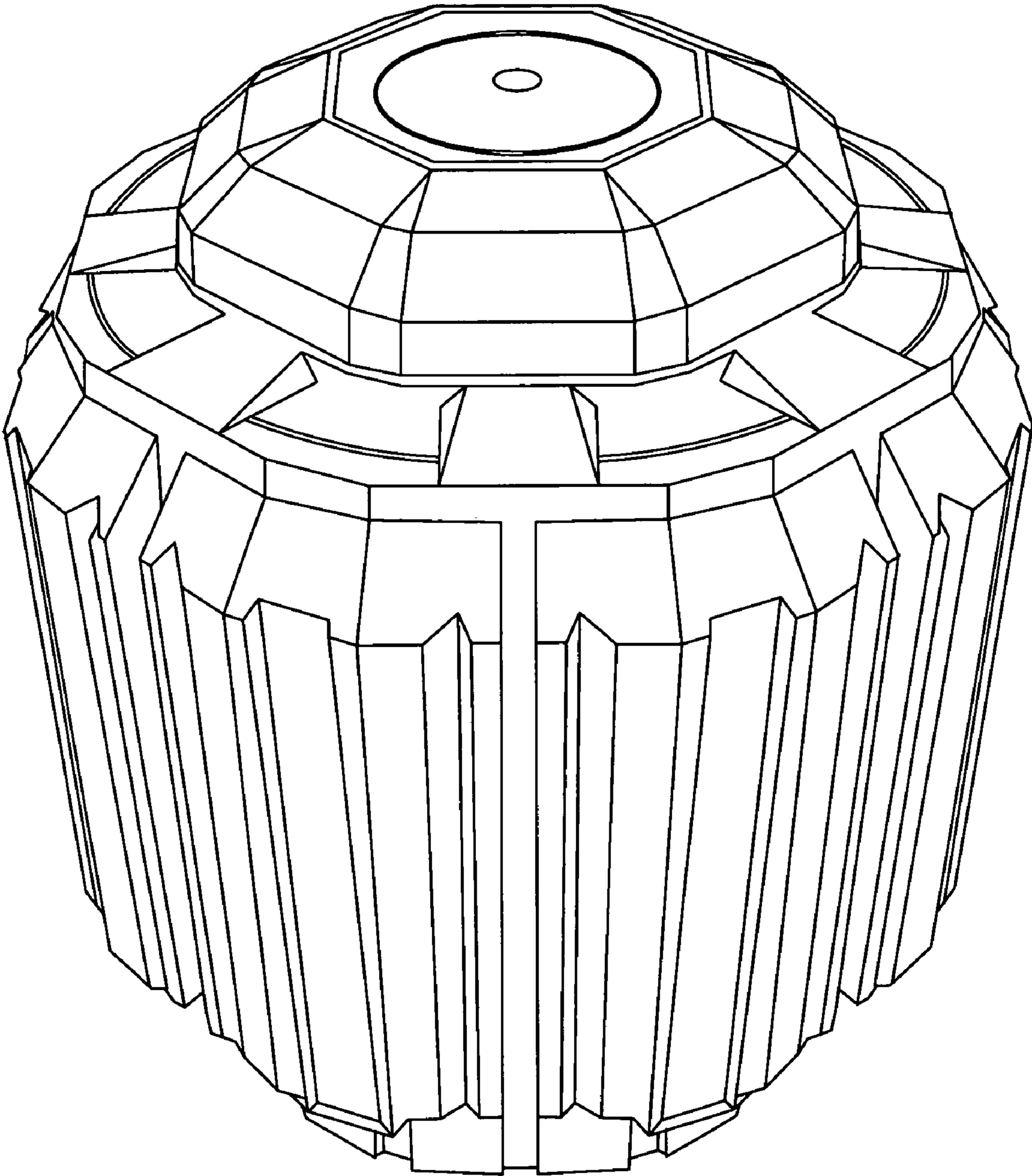


Fig.1

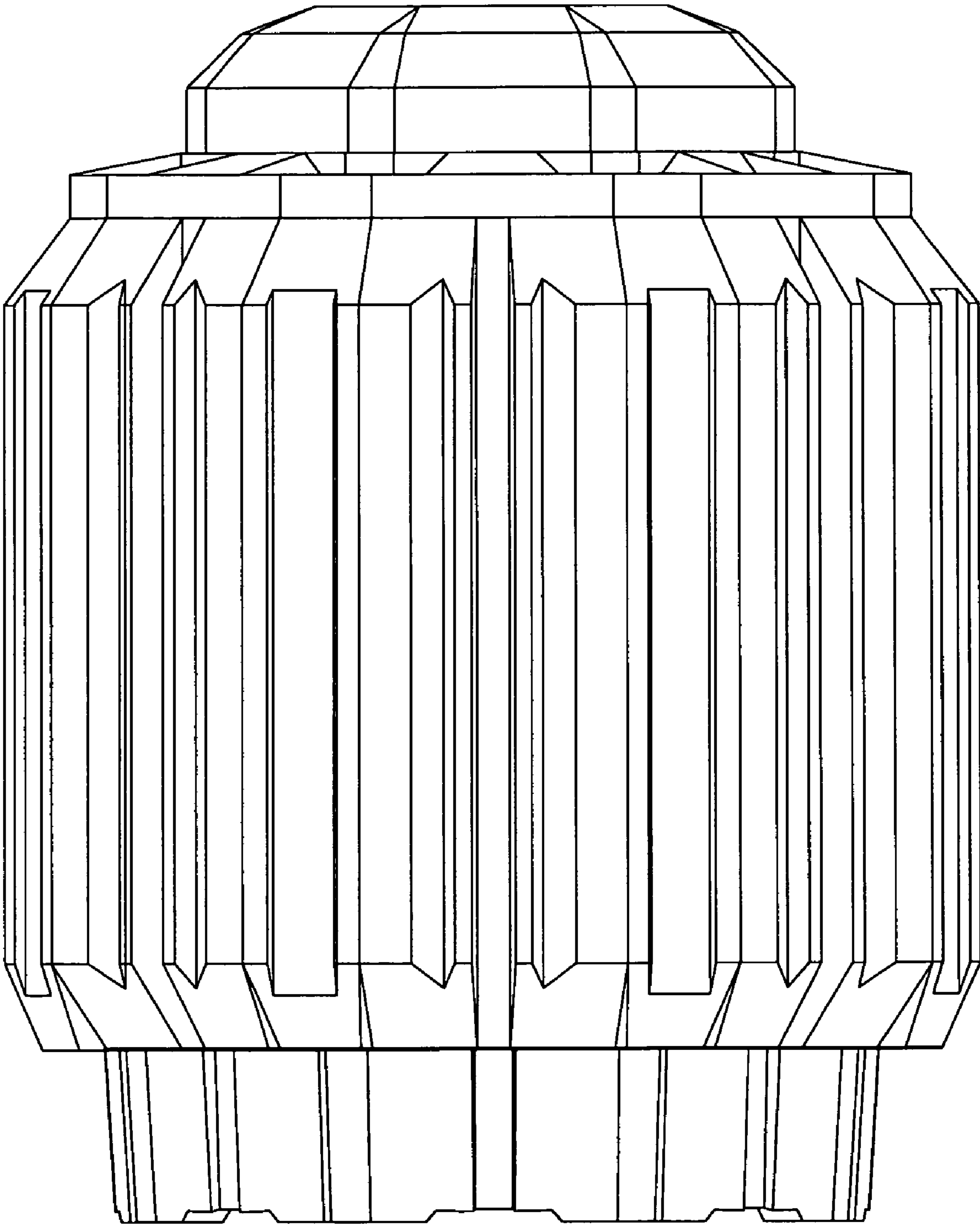


Fig.2

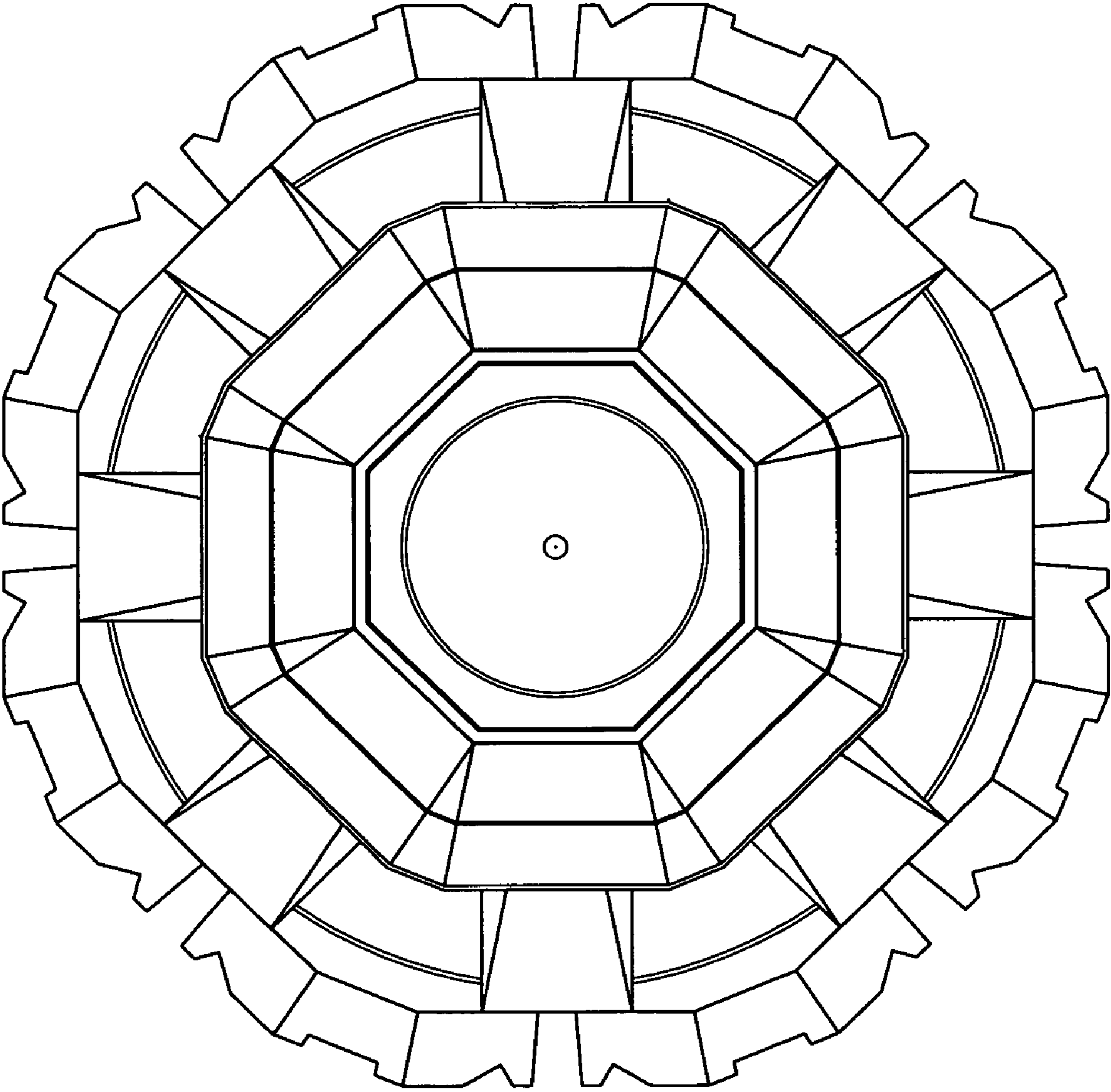


Fig.3

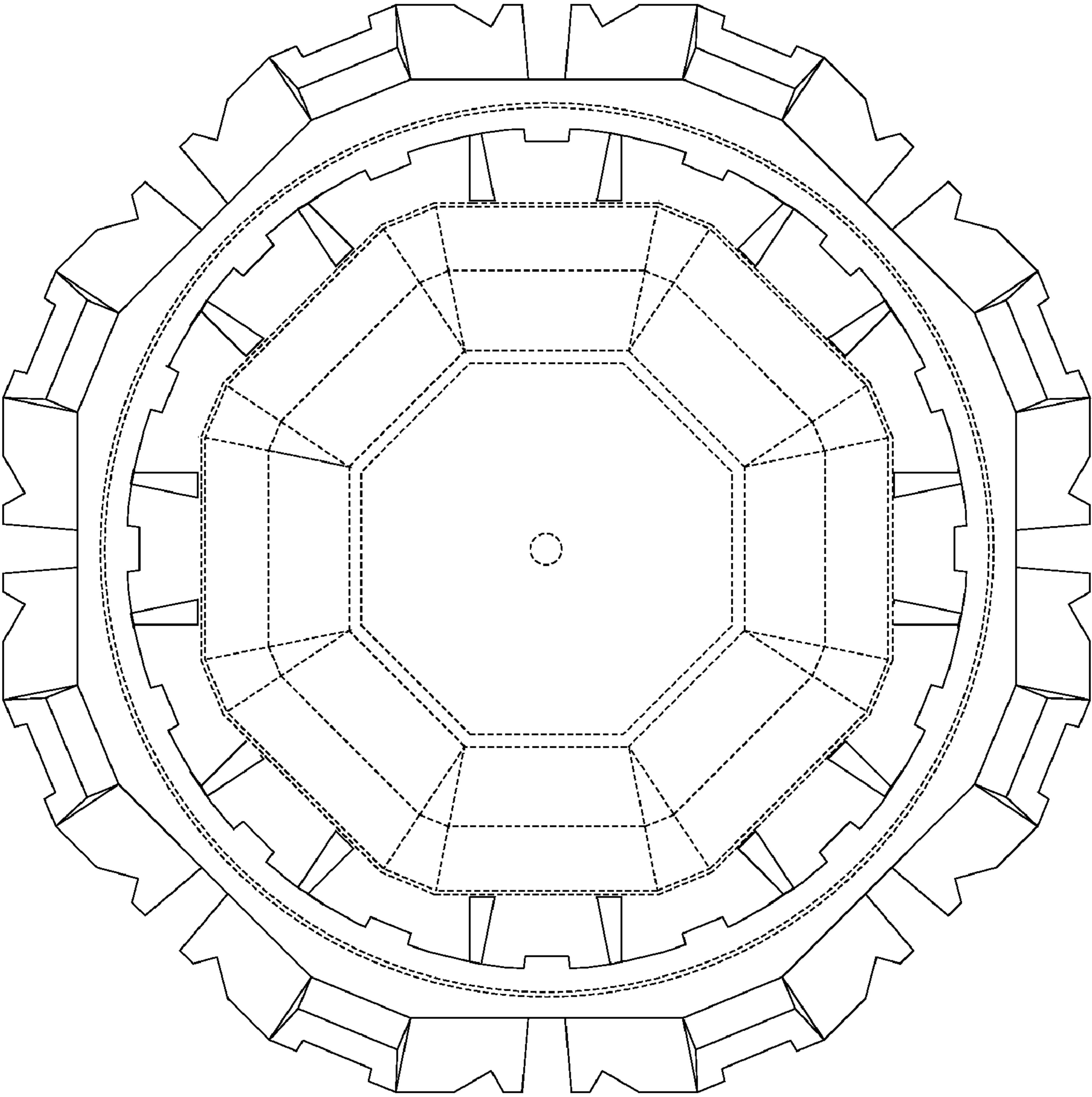


Fig. 4