

US00D618731S

(12) **United States Design Patent**  
**Fedorski**

(10) **Patent No.:** **US D618,731 S**  
(45) **Date of Patent:** **\*\* Jun. 29, 2010**

(54) **GOAL POST DISPLAY**

D518,109 S \* 3/2006 Opolka ..... D20/42

(75) Inventor: **Louis Fedorski**, Schaumburg, IL (US)

(73) Assignee: **Rapid Displays, Inc.**, Chicago, IL (US)

(\*\*) Term: **14 Years**

(21) Appl. No.: **29/345,474**

(22) Filed: **Oct. 16, 2009**

(51) **LOC (9) Cl.** ..... **20-02**

(52) **U.S. Cl.** ..... **D20/29; D20/41**

(58) **Field of Classification Search** ..... D20/10,  
D20/19, 29, 39-43, 99; 40/124.01, 124.02,  
40/124.04, 447, 452, 538, 541-544, 549,  
40/584, 617, 618, 621, 624, 642.04; D10/104,  
D10/109; D11/157; D21/302, 699; 248/158;  
267/116, 139, 140; 362/812; 473/477  
See application file for complete search history.

(56) **References Cited**

**U.S. PATENT DOCUMENTS**

1,384,106	A	*	7/1921	Taussig	.....	248/158
D212,372	S	*	10/1968	Trimble	.....	D21/699
3,782,724	A	*	1/1974	Rottman et al.	.....	267/140
3,831,941	A	*	8/1974	Pease	.....	267/116
D342,285	S	*	12/1993	Boyar	.....	D20/41
D395,678	S	*	6/1998	Treille	.....	D20/41
D501,891	S	*	2/2005	Kaplan et al.	.....	D20/41

**OTHER PUBLICATIONS**

CX Goal Post Display—The Sports Team Corona Catalog—p. 3 of 4  
© Modelo 2008 <http://www.thesportsteam.com/coronadisplayenhancers.html> pulled from the web Feb. 2, 2010.\*

\* cited by examiner

*Primary Examiner*—Janice E Seeger

*Assistant Examiner*—Mary Ann Calabrese

(74) *Attorney, Agent, or Firm*—R. Blake Johnson, Esq.; DLA Piper LLP (US)

(57) **CLAIM**

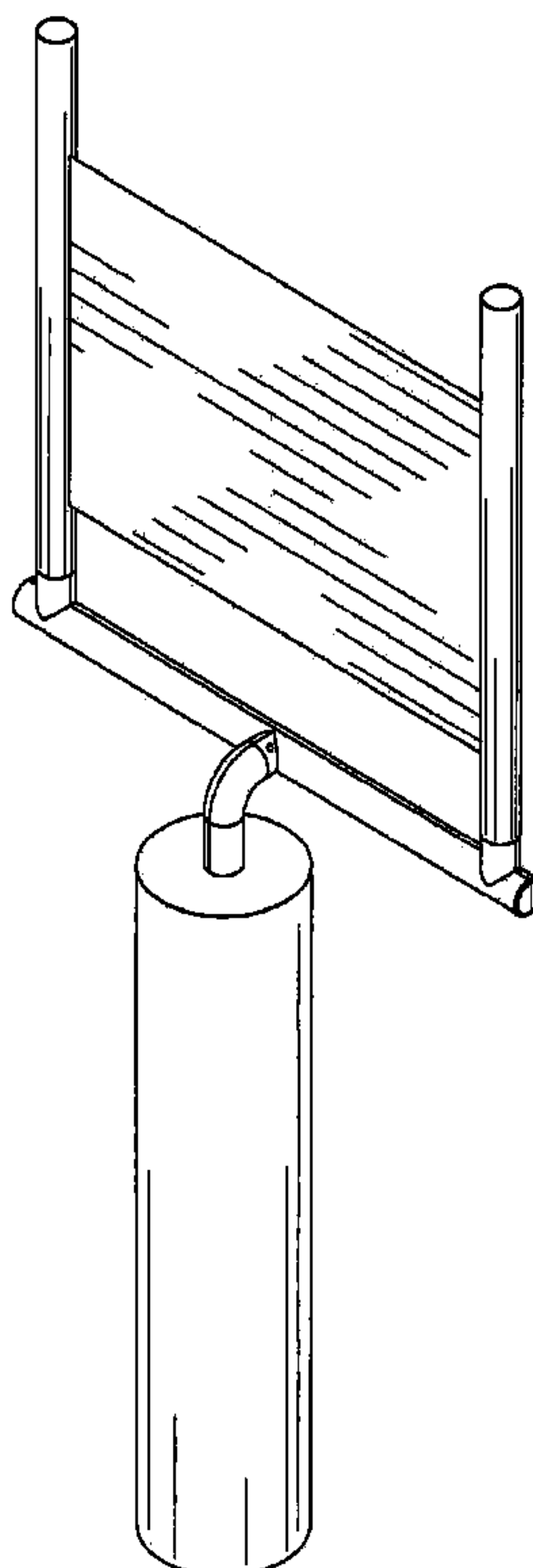
The ornamental design for a goal post display, as shown.

**DESCRIPTION**

FIG. 1 is a perspective view of the goal post display;  
FIG. 2 is a left side elevational view of the goal post display;  
FIG. 3 is a front elevational view of the goal post display;  
FIG. 4 is a right side elevational view of the goal post display;  
FIG. 5 is a rear elevational view of the goal post display;  
FIG. 6 is a top plan view of the goal post display; and,  
FIG. 7 is a bottom plan view of the goal post display.

In the drawings, the broken lines represent portions of the goal post display that form no part of the claimed design.

**1 Claim, 3 Drawing Sheets**



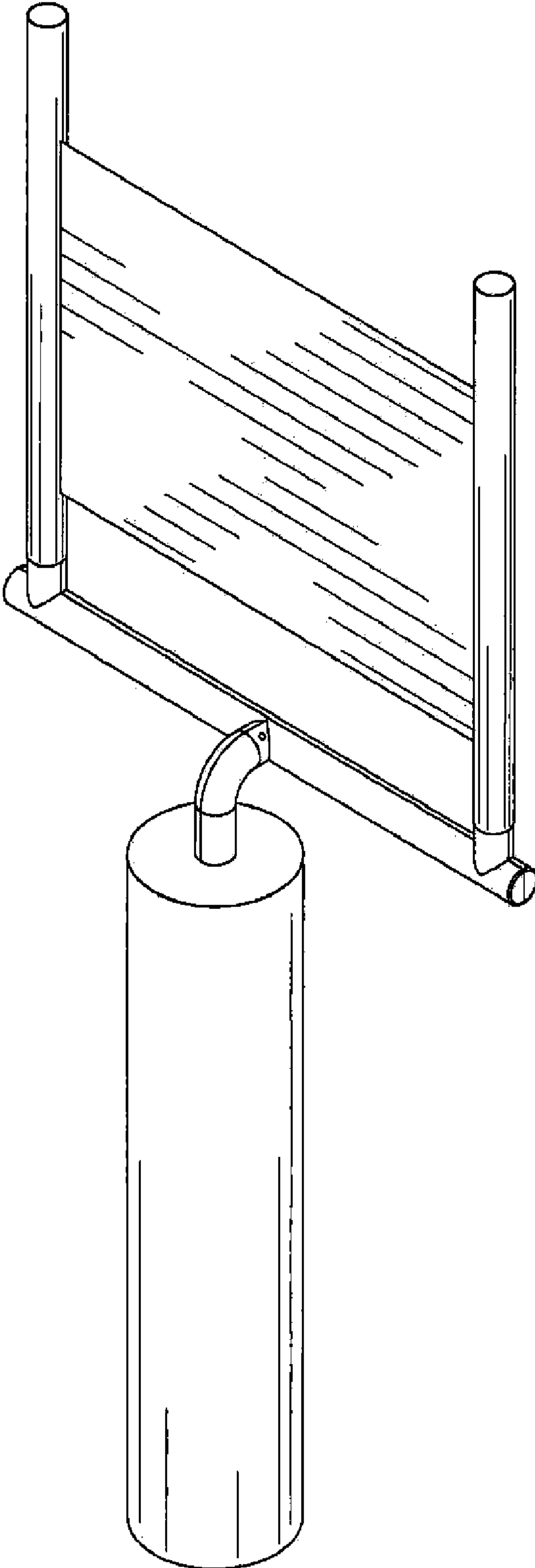


FIG. 1

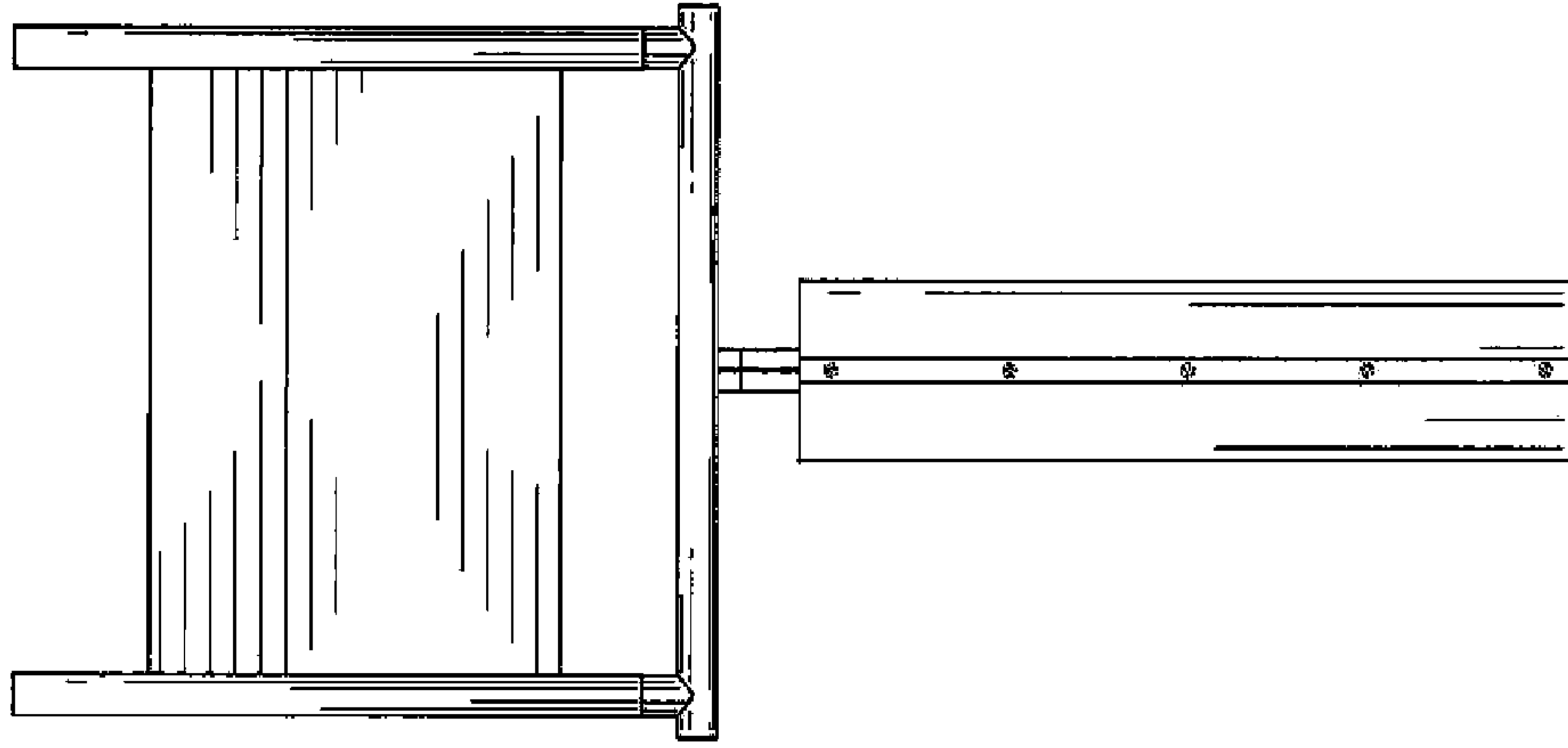


FIG. 5

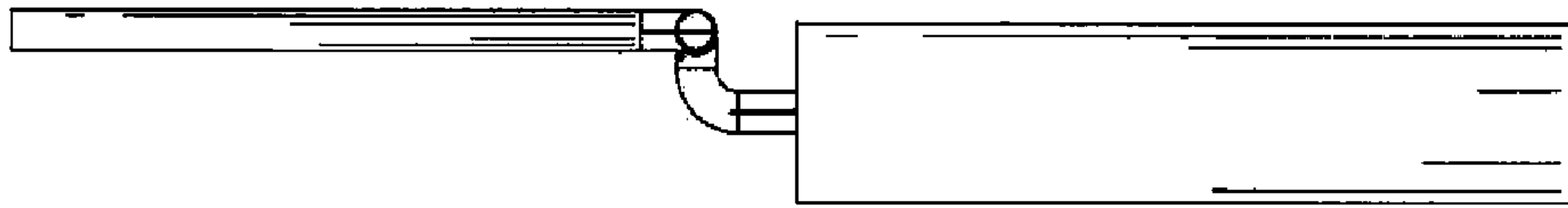


FIG. 4

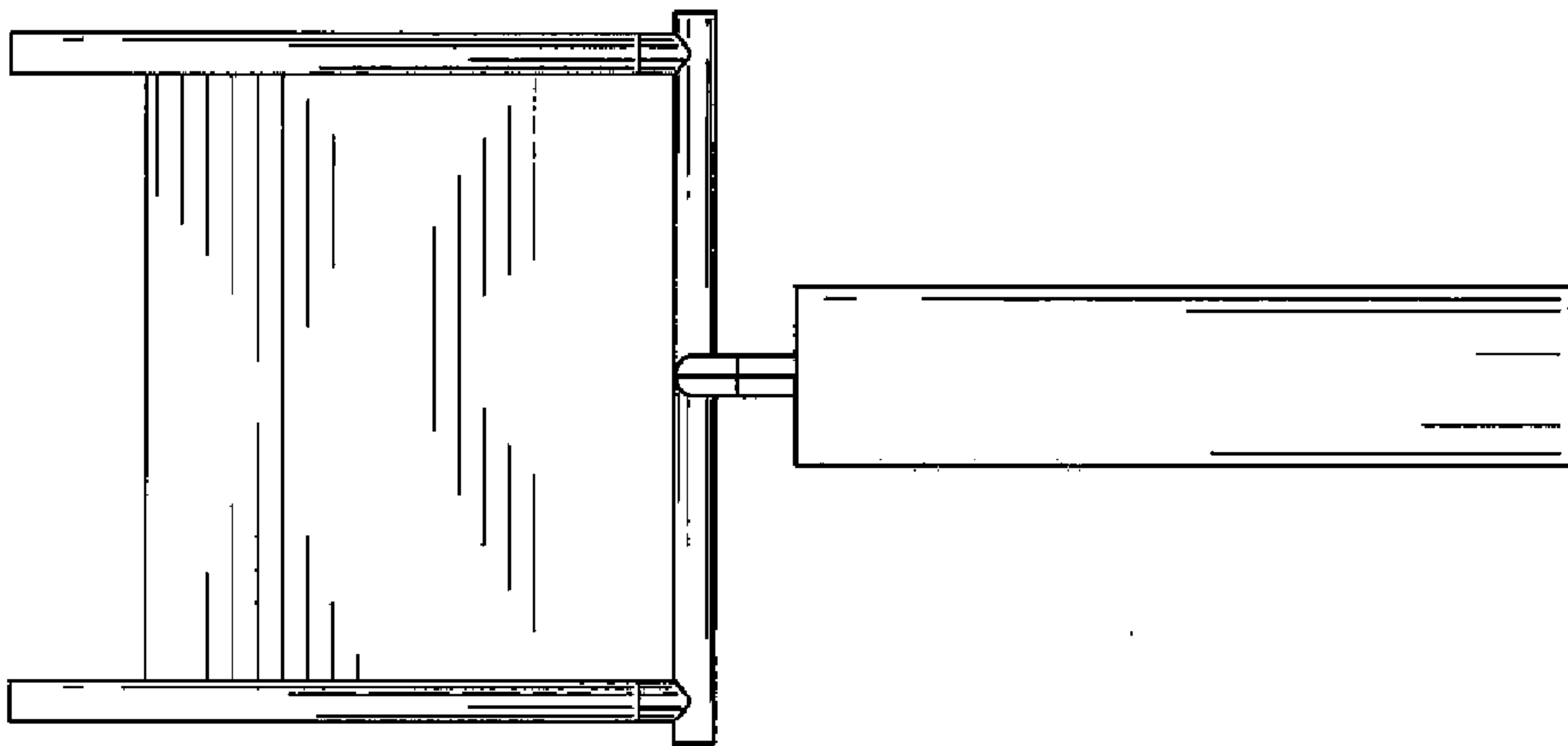


FIG. 3

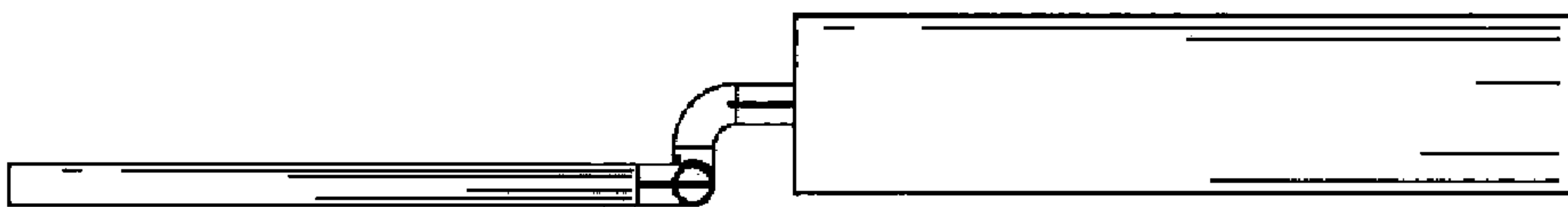


FIG. 2

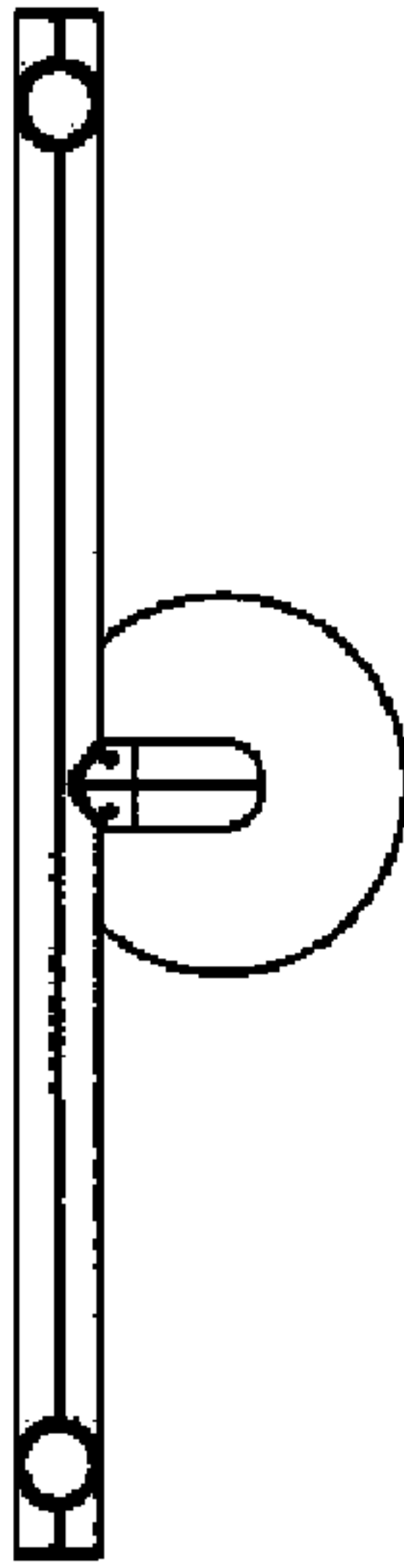


FIG. 6

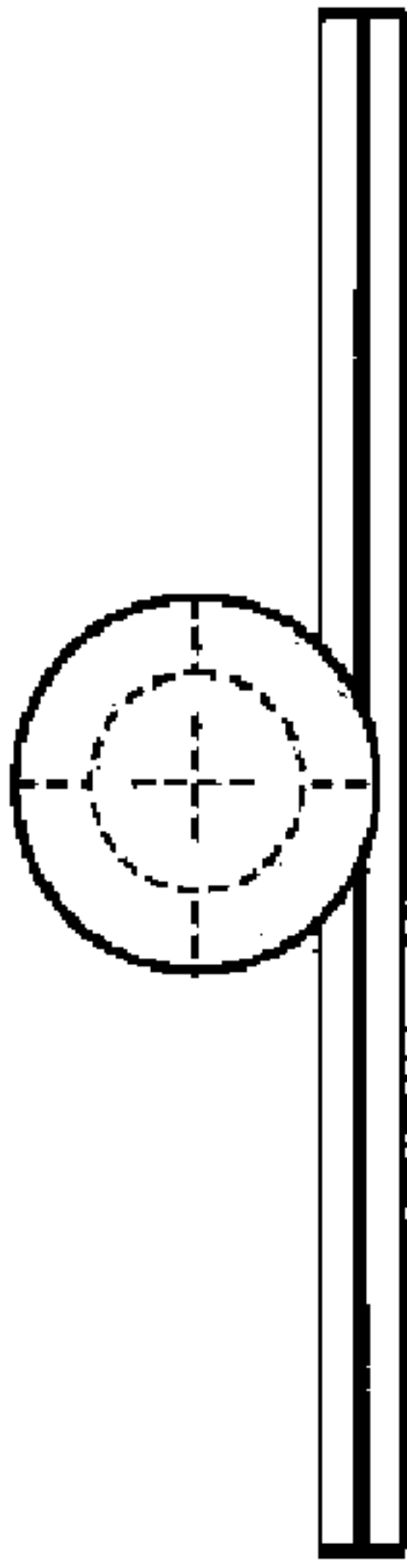


FIG. 7