



US00D618729S

(12) **United States Design Patent**
Lee et al.

(10) **Patent No.:** **US D618,729 S**
(45) **Date of Patent:** **** Jun. 29, 2010**

(54) **PAPER PUNCH**

(75) Inventors: **Jungkun Lee**, Edison, NJ (US); **Daniel Howell**, Cedar Hills, UT (US); **Andrew Serbinski**, Annandale, NJ (US)

(73) Assignee: **Officemate International Corp.**, Edison, NJ (US)

(**) Term: **14 Years**

(21) Appl. No.: **29/316,538**

(22) Filed: **Oct. 6, 2009**

(51) **LOC (9) Cl.** **19-02**

(52) **U.S. Cl.** **D19/72**

(58) **Field of Classification Search** D8/98;
D19/72; 30/358; 83/167, 468, 588, 633,
83/669, 684, 686, 698.91

See application file for complete search history.

(56) **References Cited**

U.S. PATENT DOCUMENTS

2,137,716	A *	11/1938	Faas	83/588
2,328,558	A *	9/1943	Kipp	83/588
D144,601	S *	4/1946	Yerkes	D19/72
2,445,093	A *	7/1948	Cseh	83/449
D152,283	S *	1/1949	Misson	D19/72
2,524,582	A *	10/1950	Yerkes	83/449
2,587,749	A *	3/1952	Misson	83/627
2,717,643	A *	9/1955	Marano	83/588
D251,600	S *	4/1979	MacGregor	D19/72
4,288,018	A *	9/1981	Taniguchi	227/76
4,466,322	A *	8/1984	Mori	83/468
D289,776	S *	5/1987	Goertz et al.	D19/72
4,688,457	A *	8/1987	Neilsen et al.	83/468
4,713,995	A *	12/1987	Davi	83/167
4,941,381	A *	7/1990	Garner	83/468.94
D358,845	S *	5/1995	Mori	D19/72
D360,225	S *	7/1995	Yang	D19/72
5,611,254	A *	3/1997	Rall	83/467.1
5,658,421	A *	8/1997	Carroll	156/513
D386,528	S *	11/1997	Mori	D19/72
D467,618	S *	12/2002	Gstalder	D19/72
D468,772	S *	1/2003	Robillard	D19/72
D477,028	S *	7/2003	Huang	D19/72

D479,857	S *	9/2003	Huang	D19/72
6,644,161	B2 *	11/2003	Lin	83/588
D489,411	S *	5/2004	Chen	D19/72
D489,763	S *	5/2004	Chen	D19/72
D496,071	S *	9/2004	Huang	D19/72
D506,784	S *	6/2005	Bodum	D19/72
7,331,266	B2 *	2/2008	Chen	83/633
D567,862	S *	4/2008	Chen et al.	D19/72
D568,401	S *	5/2008	Chen et al.	D19/72
D571,406	S *	6/2008	Chen et al.	D19/72
D573,649	S *	7/2008	Chen et al.	D19/72
D598,957	S *	8/2009	Isozaki et al.	D19/72
2006/0278056	A1 *	12/2006	Chen et al.	83/588
2007/0107576	A1 *	5/2007	Chen	83/669
2009/0133560	A1 *	5/2009	Chen et al.	83/588

FOREIGN PATENT DOCUMENTS

WO DM/060659 * 7/2002

* cited by examiner

Primary Examiner—Elizabeth A Albert

(74) *Attorney, Agent, or Firm*—Daniel Kirshner

(57) **CLAIM**

The ornamental design for a paper punch, as shown and described.

DESCRIPTION

FIG. 1 is a front perspective view of a paper punch showing the new design;

FIG. 2 is a rear perspective view thereof;

FIG. 3 is a left side view thereof;

FIG. 4 is a right side view thereof;

FIG. 5 is a front view thereof;

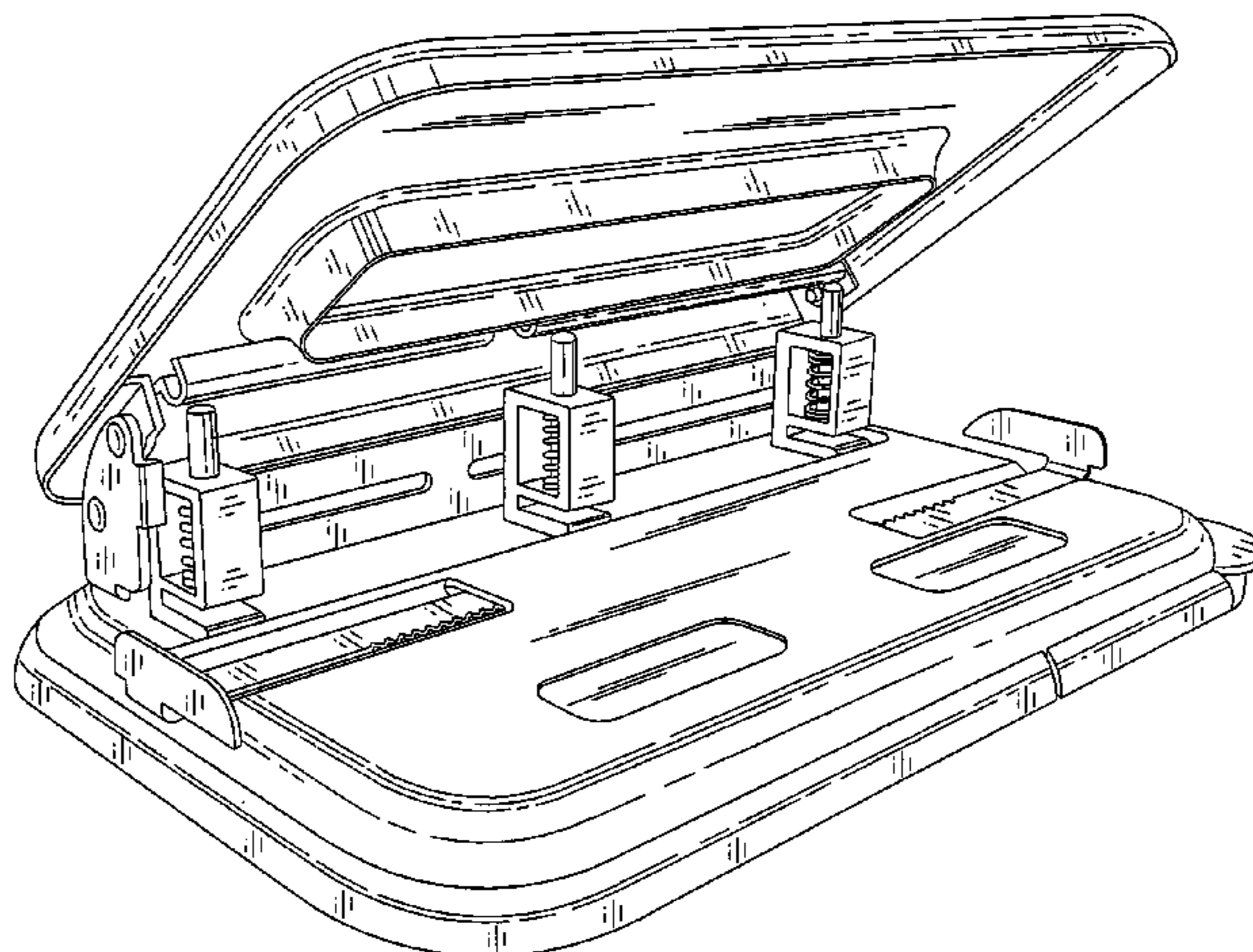
FIG. 6 is a rear view thereof;

FIG. 7 is a bottom view thereof; and,

FIG. 8 is a top view thereof.

The broken lines showing portions of the paper punch are included for the purpose of illustrating environmental structure and form no part of the claimed design.

1 Claim, 8 Drawing Sheets



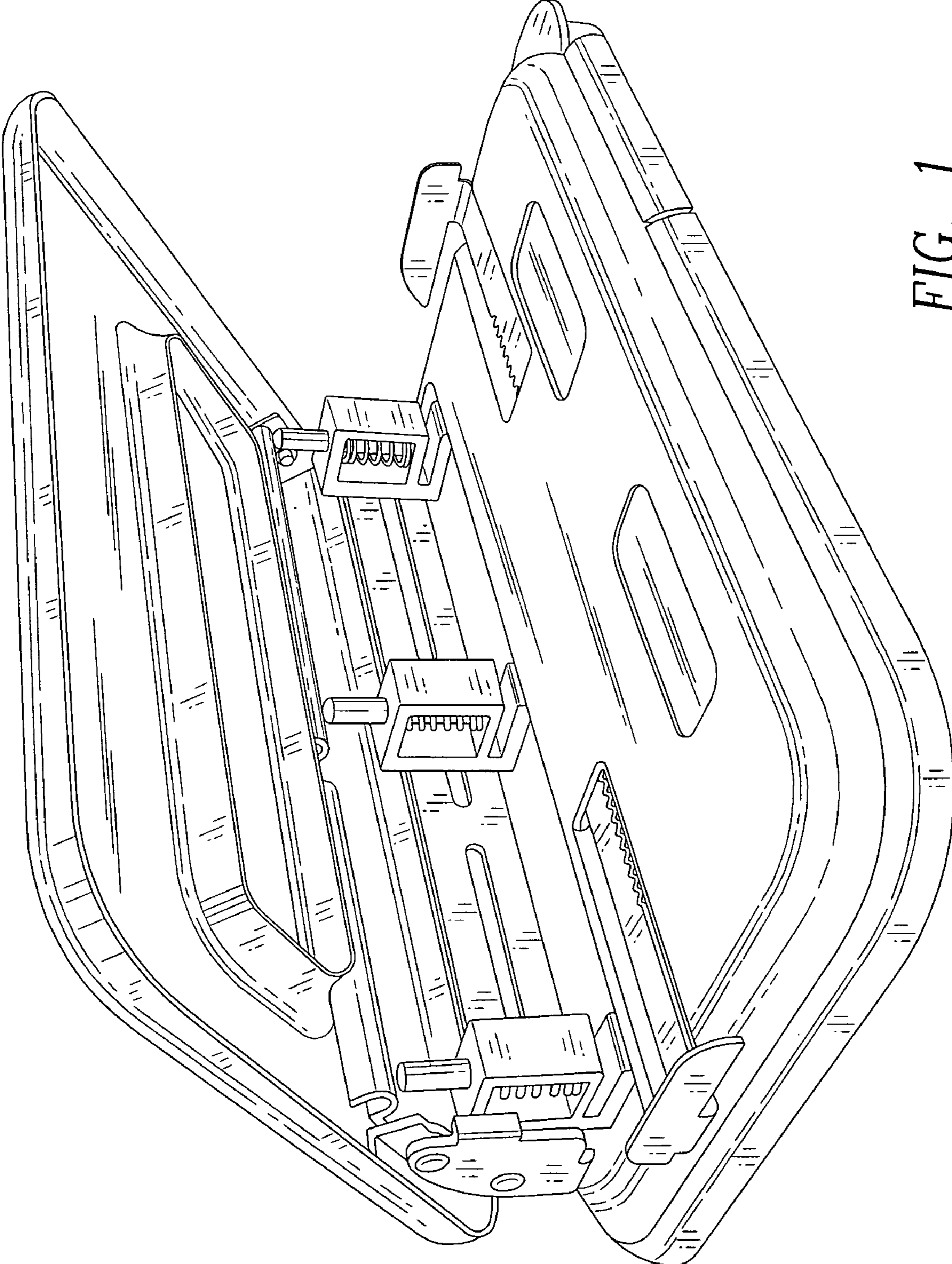


FIG. 1

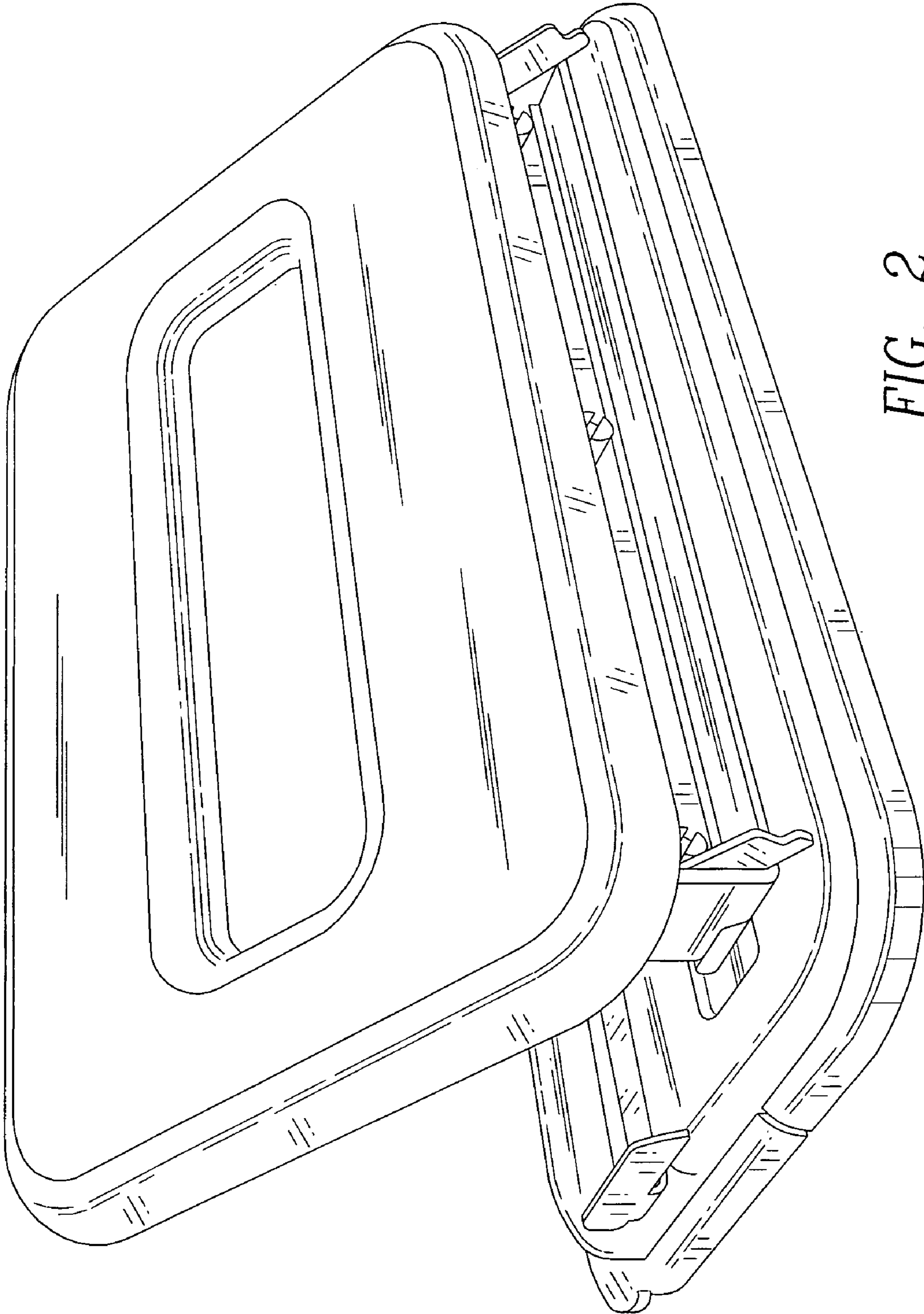


FIG. 2

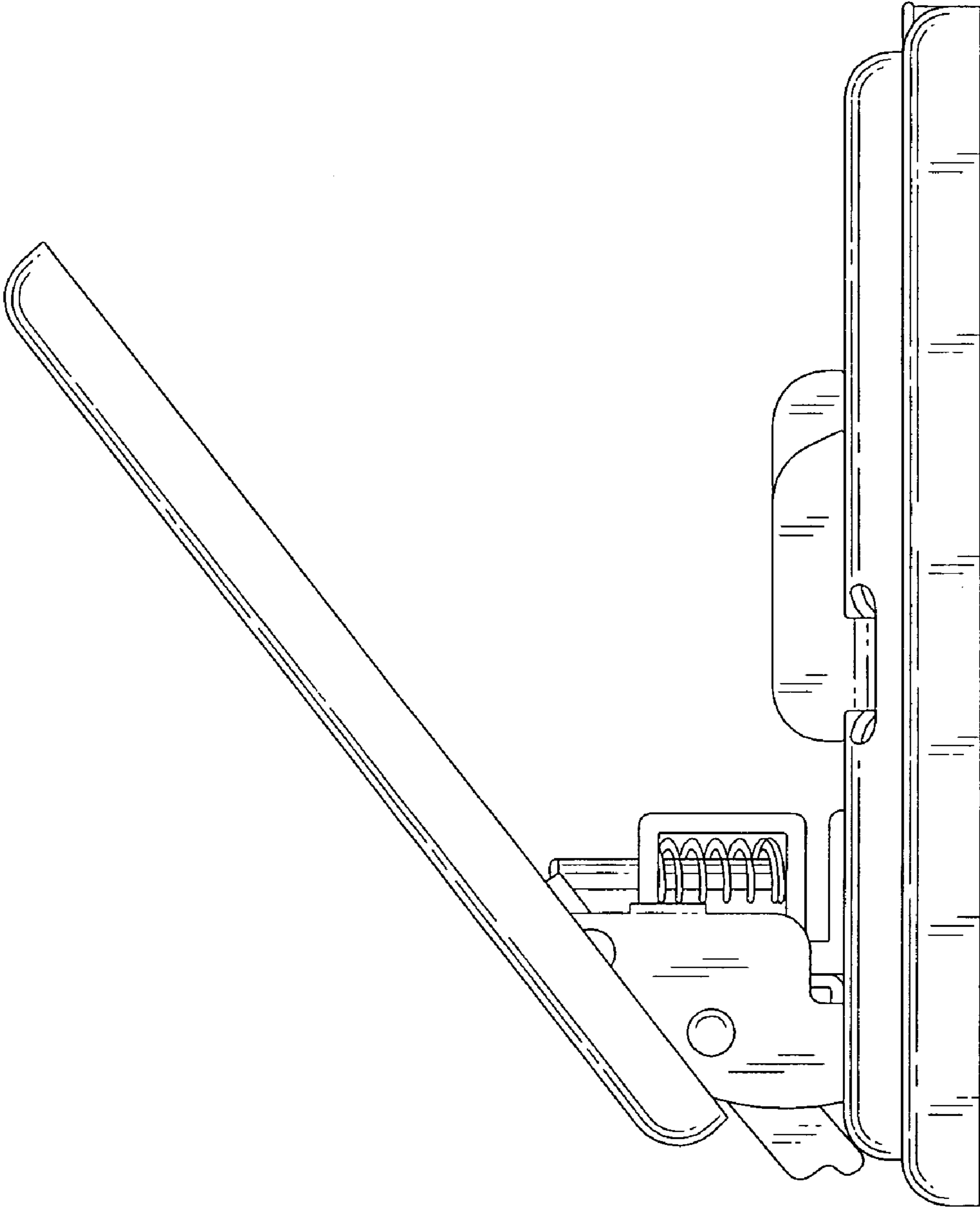


FIG. 3

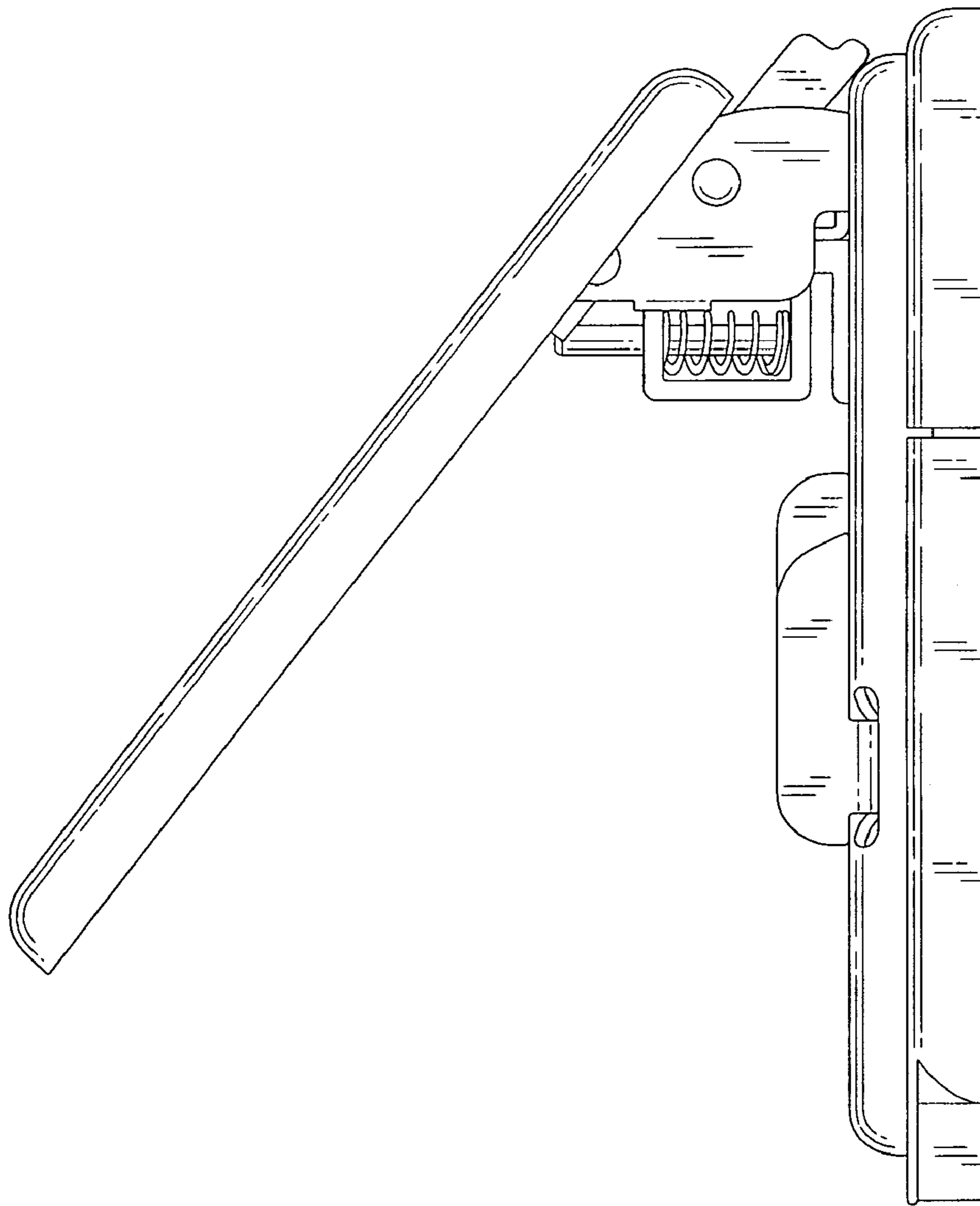


FIG. 4

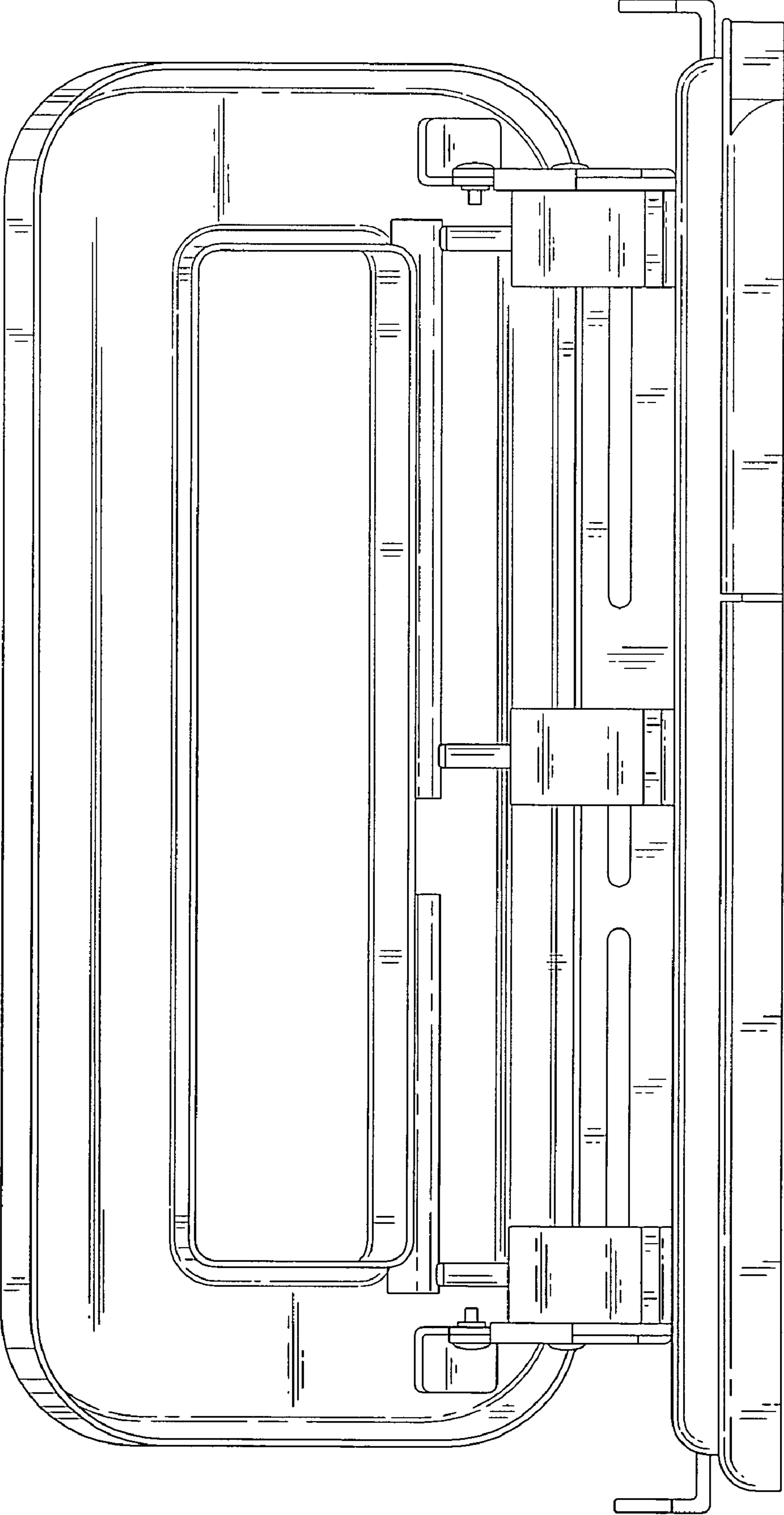


FIG. 5

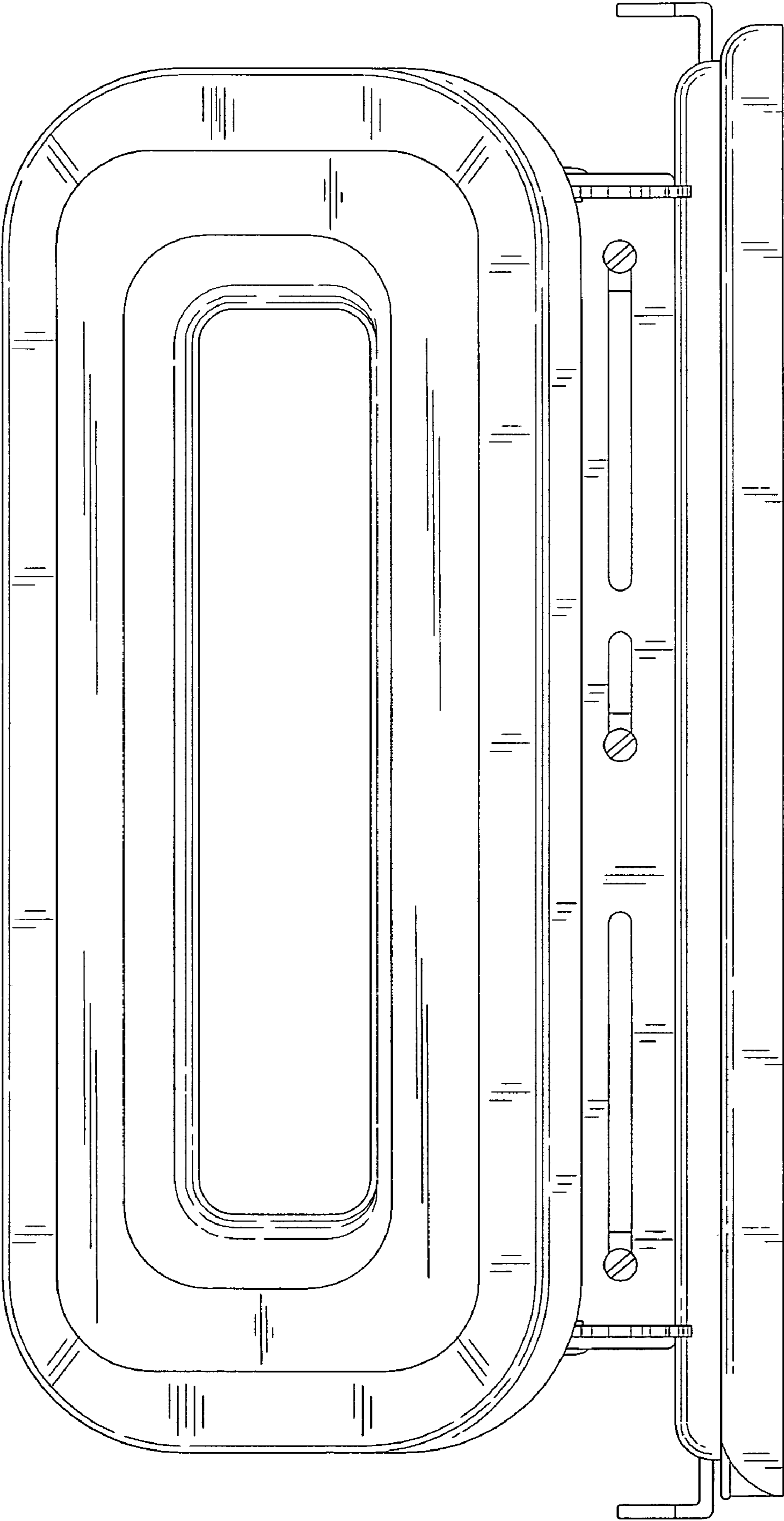


FIG. 6

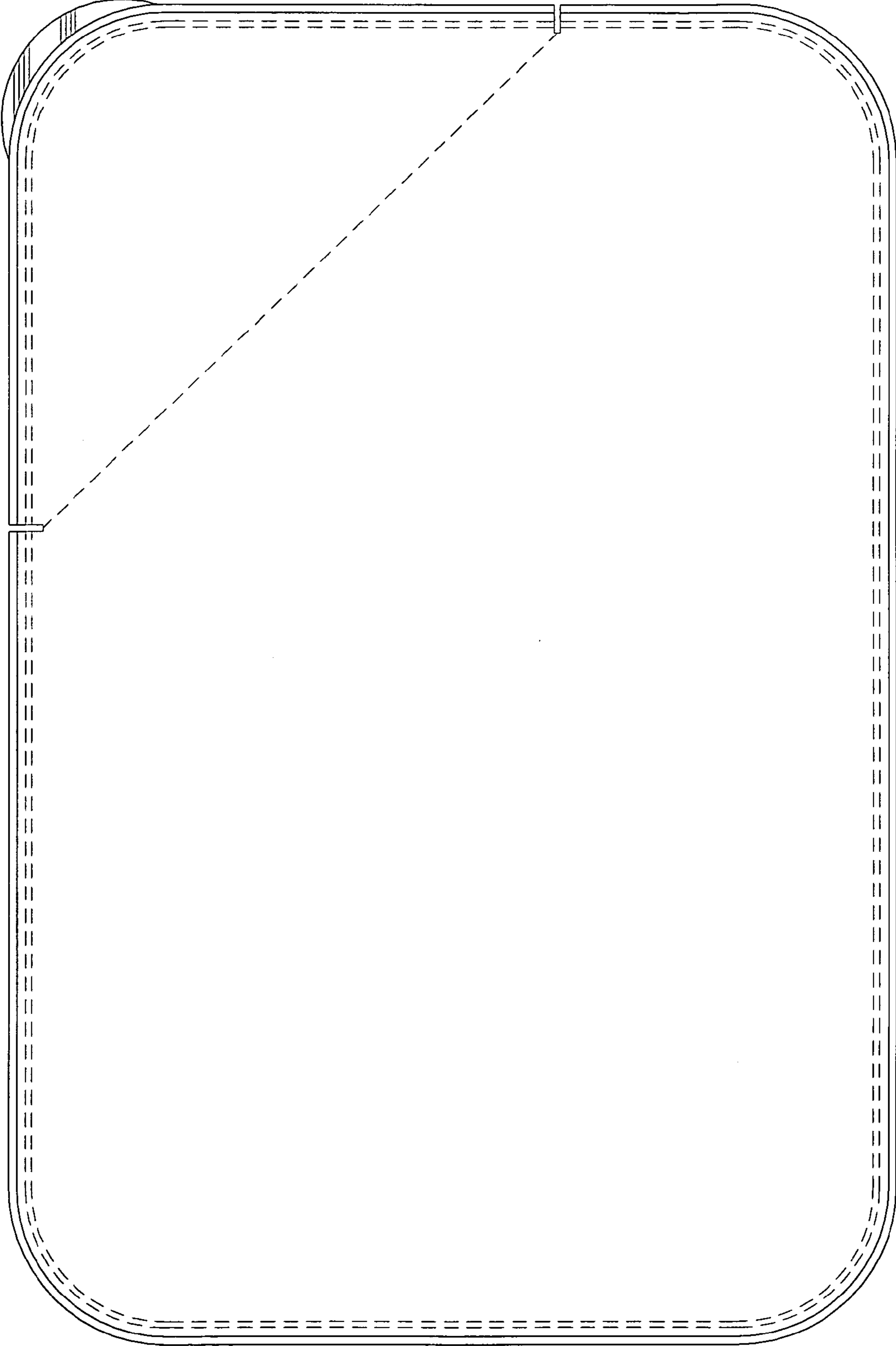


FIG. 7

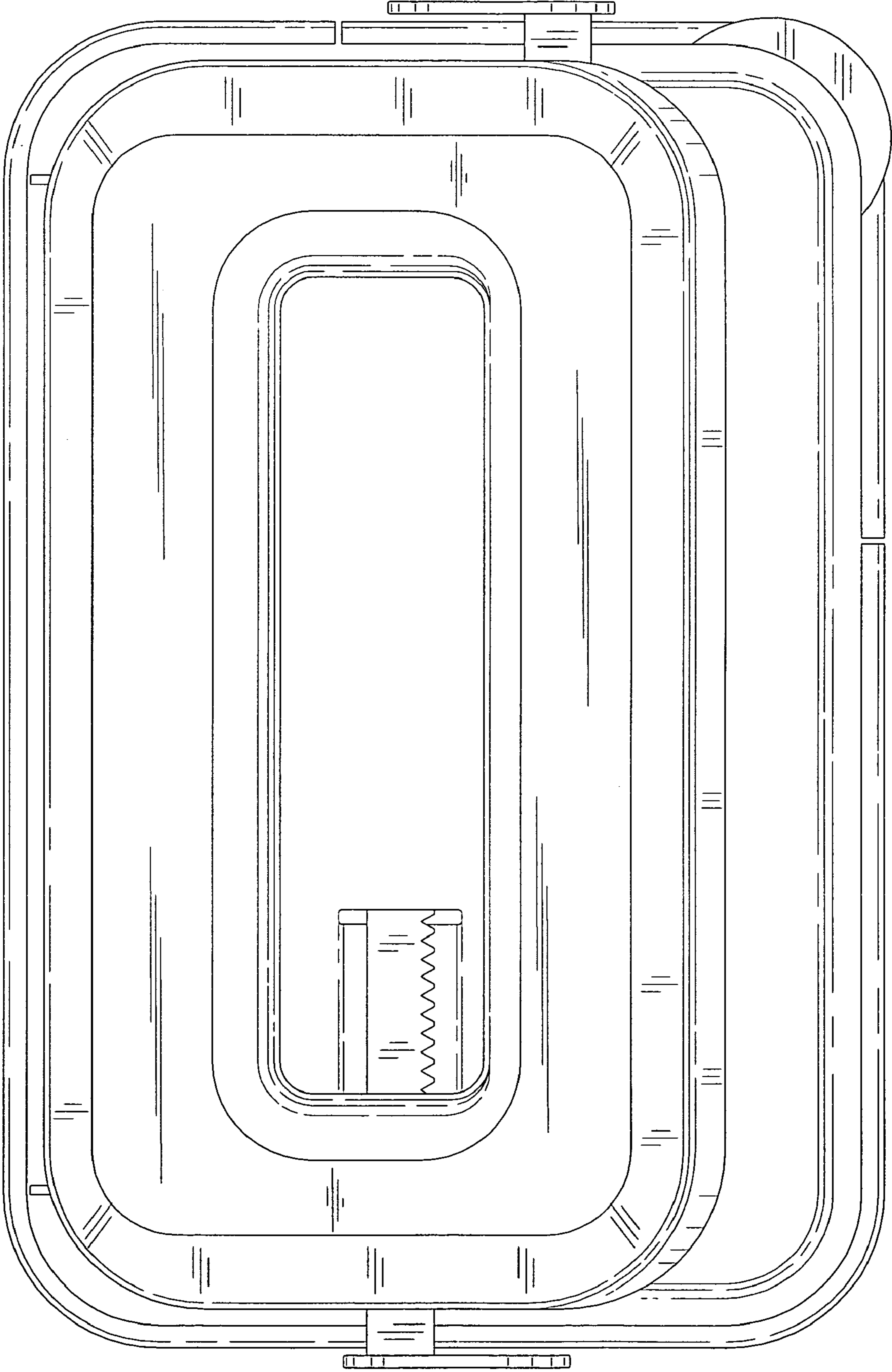


FIG. 8