



US00D618723S

(12) **United States Design Patent**
Tamaki

(10) **Patent No.:** **US D618,723 S**

(45) **Date of Patent:** **** Jun. 29, 2010**

(54) **HOUSING OF DAMPER MECHANISM FOR INK JET PRINTER**

2006/0028517 A1* 2/2006 Ishizawa et al. 347/86

* cited by examiner

(75) Inventor: **Kazutaka Tamaki**, Tomi (JP)

Primary Examiner—Cathy Anne MacCormac

(73) Assignee: **Mimaki Engineering Co., Ltd.**, Nagano (JP)

(74) *Attorney, Agent, or Firm*—Ditthavong Mori & Steiner, P.C.

(**) Term: **14 Years**

(57) **CLAIM**

(21) Appl. No.: **29/323,925**

The ornamental design for a housing of damper mechanism for ink jet printer, as shown and described.

(22) Filed: **Sep. 3, 2008**

DESCRIPTION

(30) **Foreign Application Priority Data**

Mar. 6, 2008 (JP) 2008-005545

FIG. 1 is a top and right front perspective view of a housing of damper mechanism for ink jet printer, showing my design;

(51) **LOC (9) Cl.** **18-02**

FIG. 2 is a front elevational view thereof;

(52) **U.S. Cl.** **D18/56**

FIG. 3 is a rear elevational view thereof;

(58) **Field of Classification Search** D18/40,
D18/43, 56; 347/47, 86–87

FIG. 4 is a top view thereof;

FIG. 5 is a bottom view thereof;

See application file for complete search history.

FIG. 6 is a right side elevational view thereof;

FIG. 7 is a left side elevational view thereof; and,

FIG. 8 is a cross-sectional view thereof taken along line 8—8 in FIG. 2.

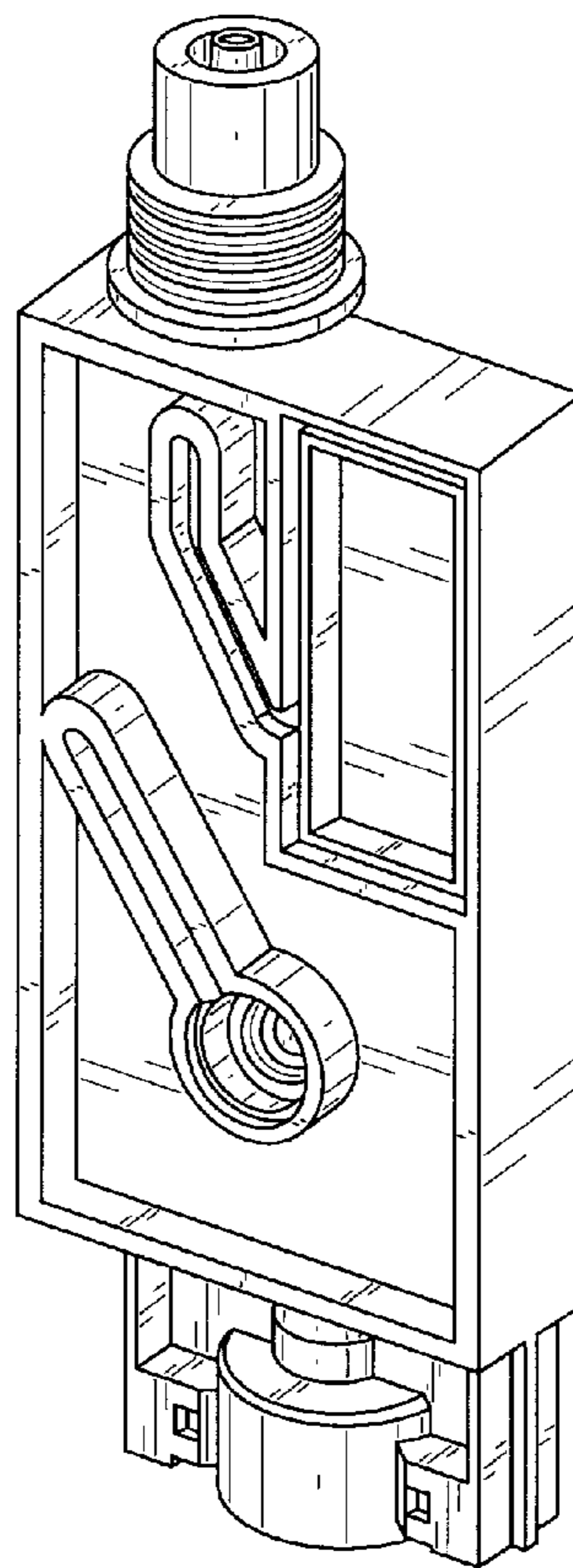
(56) **References Cited**

U.S. PATENT DOCUMENTS

6,984,031 B2* 1/2006 Bailey et al. 347/86
D544,912 S * 6/2007 Maruyama D18/56
D547,370 S * 7/2007 Hattori et al. D18/56

Portions of the disclosure shown in broken lines form no part of the claimed design.

1 Claim, 4 Drawing Sheets



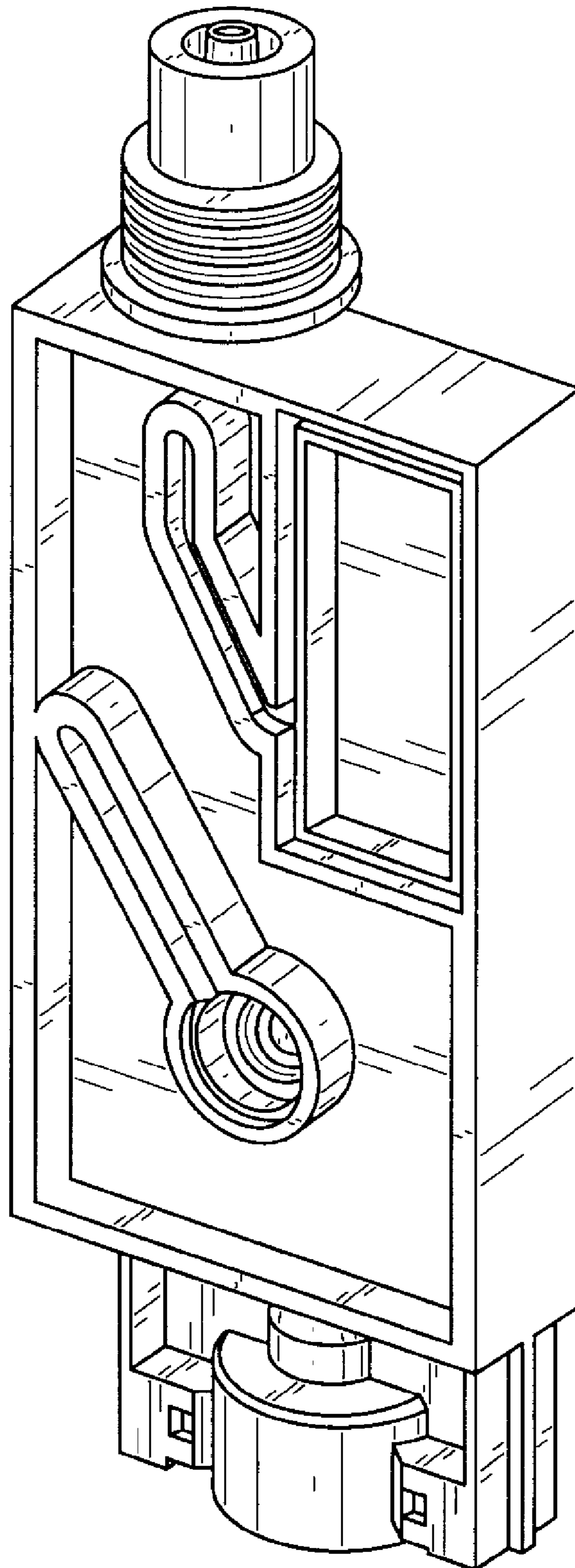
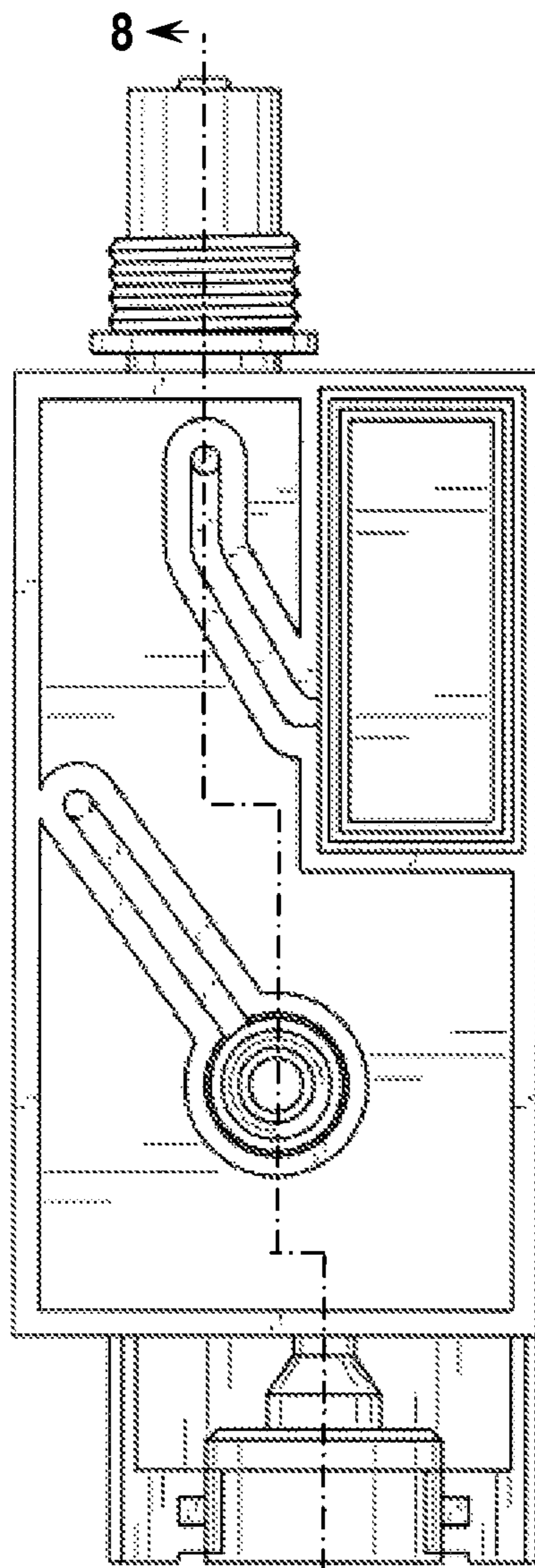


FIG. 1



8 ←
FIG. 2

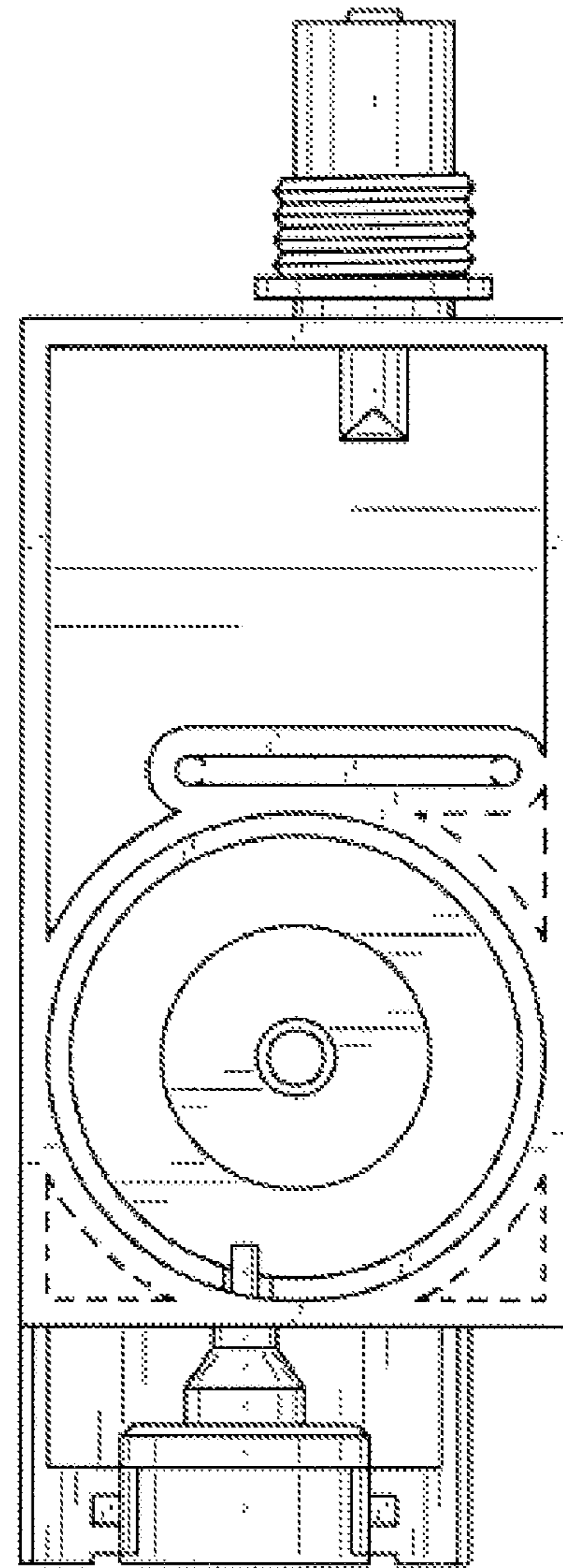


FIG. 3

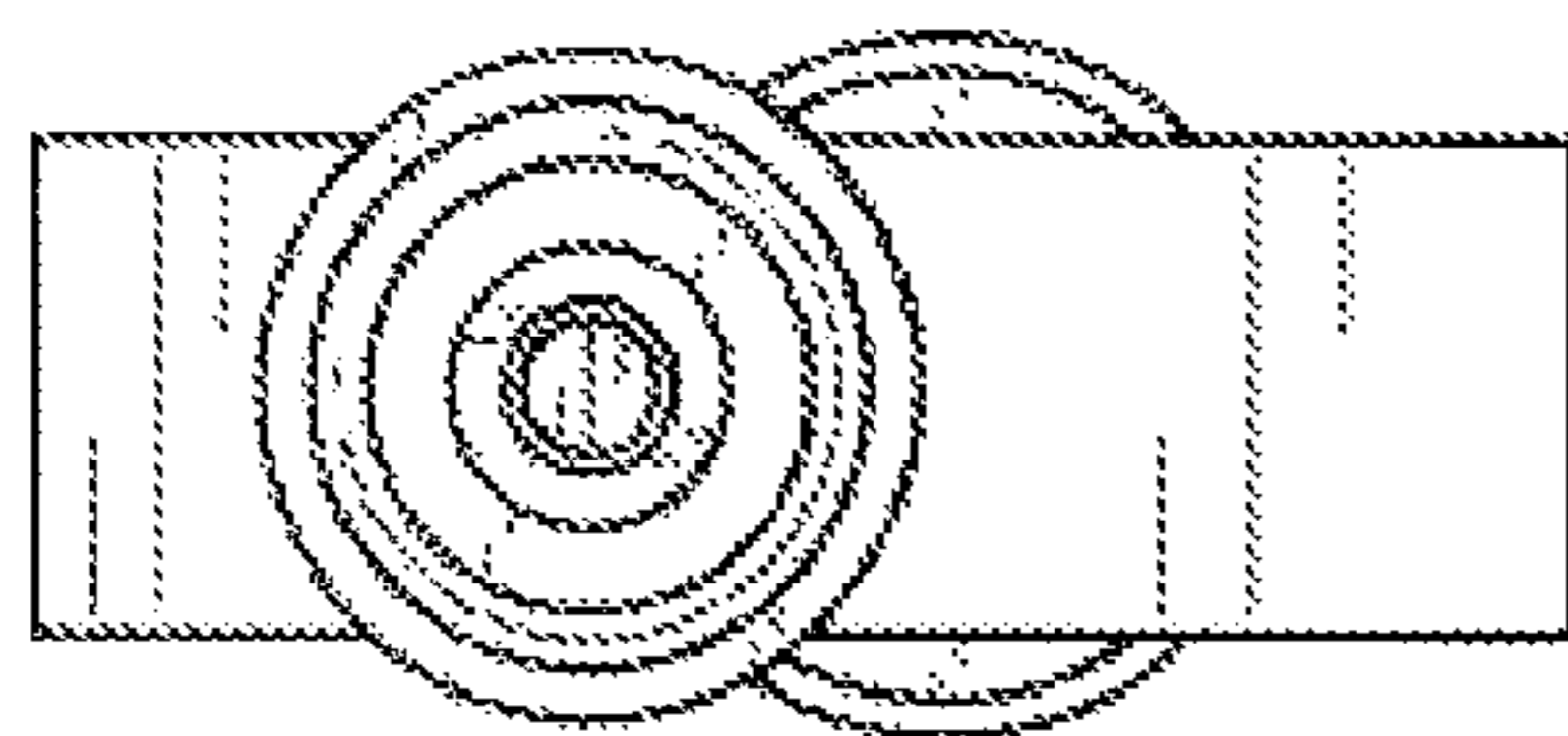


FIG. 4

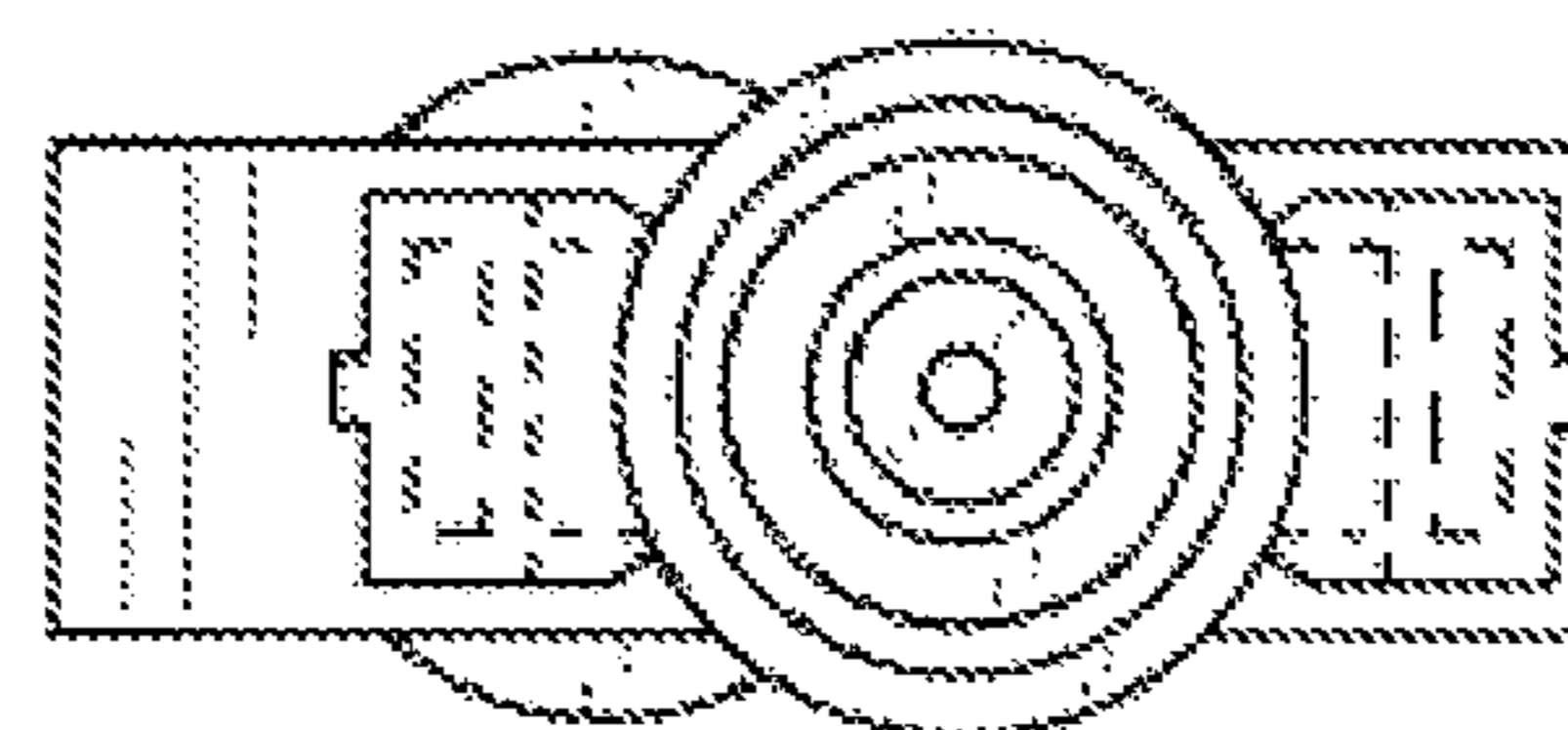


FIG. 5

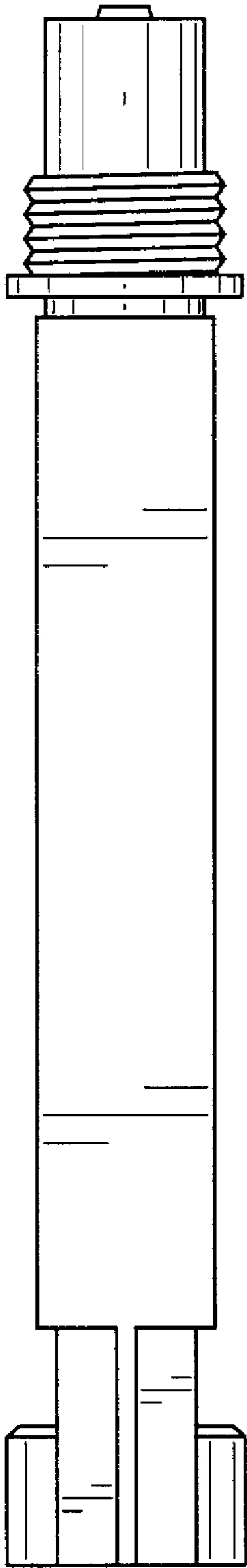


FIG. 6

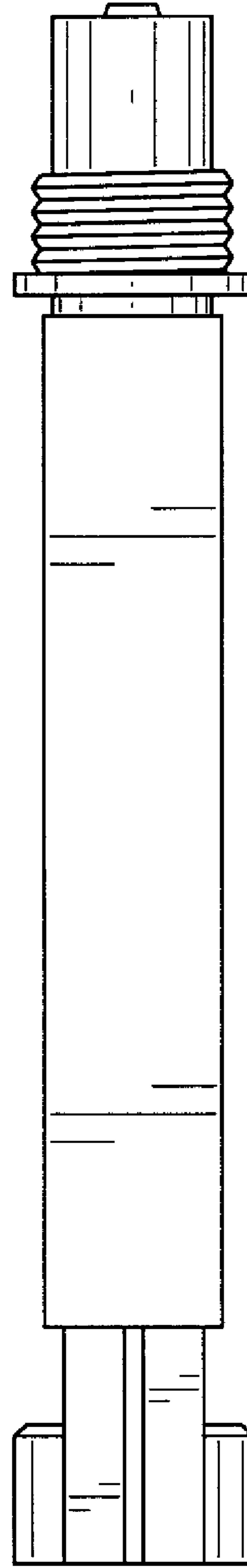


FIG. 7

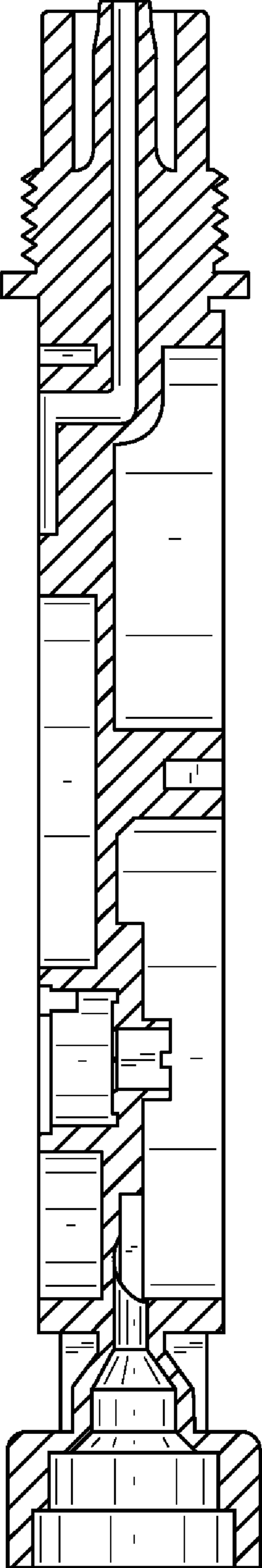


FIG. 8