



US00D618722S

(12) **United States Design Patent**
Nakazawa

(10) **Patent No.:** **US D618,722 S**
(45) **Date of Patent:** **** Jun. 29, 2010**

(54) **CAP FOR MAINTENANCE OF INK JET HEAD**

(75) Inventor: **Masakazu Nakazawa**, Tomi (JP)

(73) Assignee: **Mimaki Engineering Co., Ltd.**, Nagano (JP)

(**) Term: **14 Years**

(21) Appl. No.: **29/284,260**

(22) Filed: **Sep. 4, 2007**

(30) **Foreign Application Priority Data**

Mar. 12, 2007 (JP) 2007-006259

(51) **LOC (9) Cl.** **18-02**

(52) **U.S. Cl.** **D18/56**

(58) **Field of Classification Search** D18/14,
D18/18, 43, 50, 56-59, 99; 347/29, 30, 32,
347/50, 86-87

See application file for complete search history.

(56) **References Cited**

U.S. PATENT DOCUMENTS

D261,151 S *	10/1981	Barbour	D18/14
5,448,270 A *	9/1995	Osborne	347/29
6,203,136 B1 *	3/2001	Takahashi et al.	347/32
6,422,681 B1 *	7/2002	Berg et al.	347/32
6,471,330 B1 *	10/2002	Umeda et al.	347/29
6,491,369 B1 *	12/2002	Satoh et al.	347/30
6,588,874 B2 *	7/2003	Tsuchiya et al.	347/29
6,616,265 B2 *	9/2003	Shindo et al.	347/29

6,641,250 B2 *	11/2003	Saito	347/31
6,773,088 B2 *	8/2004	Aldrich et al.	347/29
7,021,741 B2 *	4/2006	Aldrich et al.	347/29
7,311,375 B2 *	12/2007	Suzuki et al.	347/29
7,419,240 B2 *	9/2008	Nakashima	347/29

* cited by examiner

Primary Examiner—Philip S Hyder

Assistant Examiner—Susan E Krakower

(74) *Attorney, Agent, or Firm*—Ditthavong Mori & Steiner, P.C.

(57) **CLAIM**

The ornamental design for a cap for maintenance of ink jet head, as shown and described.

DESCRIPTION

FIG. 1 is a front view of a cap for maintenance of ink jet head, showing my new design;

FIG. 2 is a right side elevational view thereof;

FIG. 3 is a top plain view thereof;

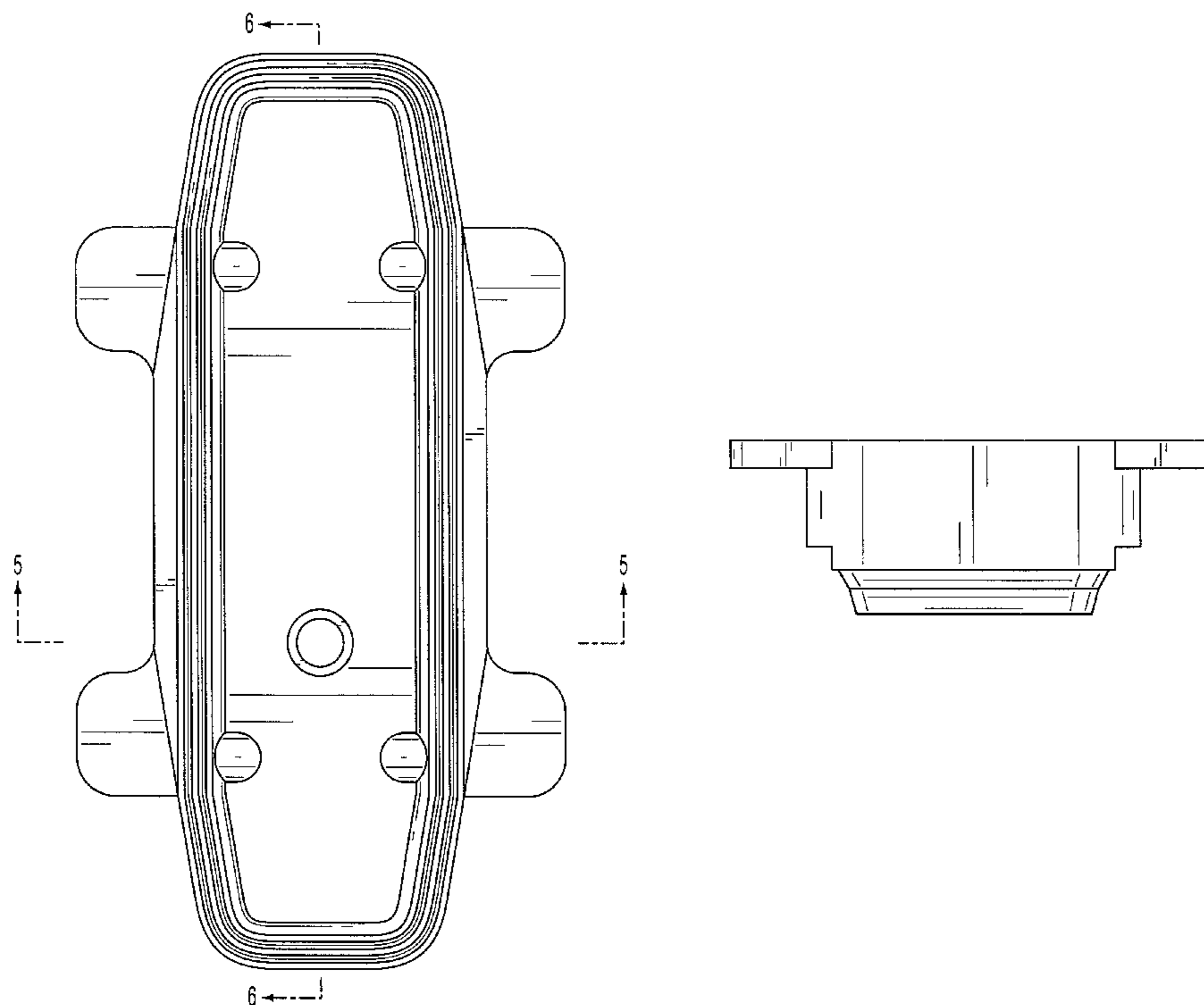
FIG. 4 is a rear plain view thereof;

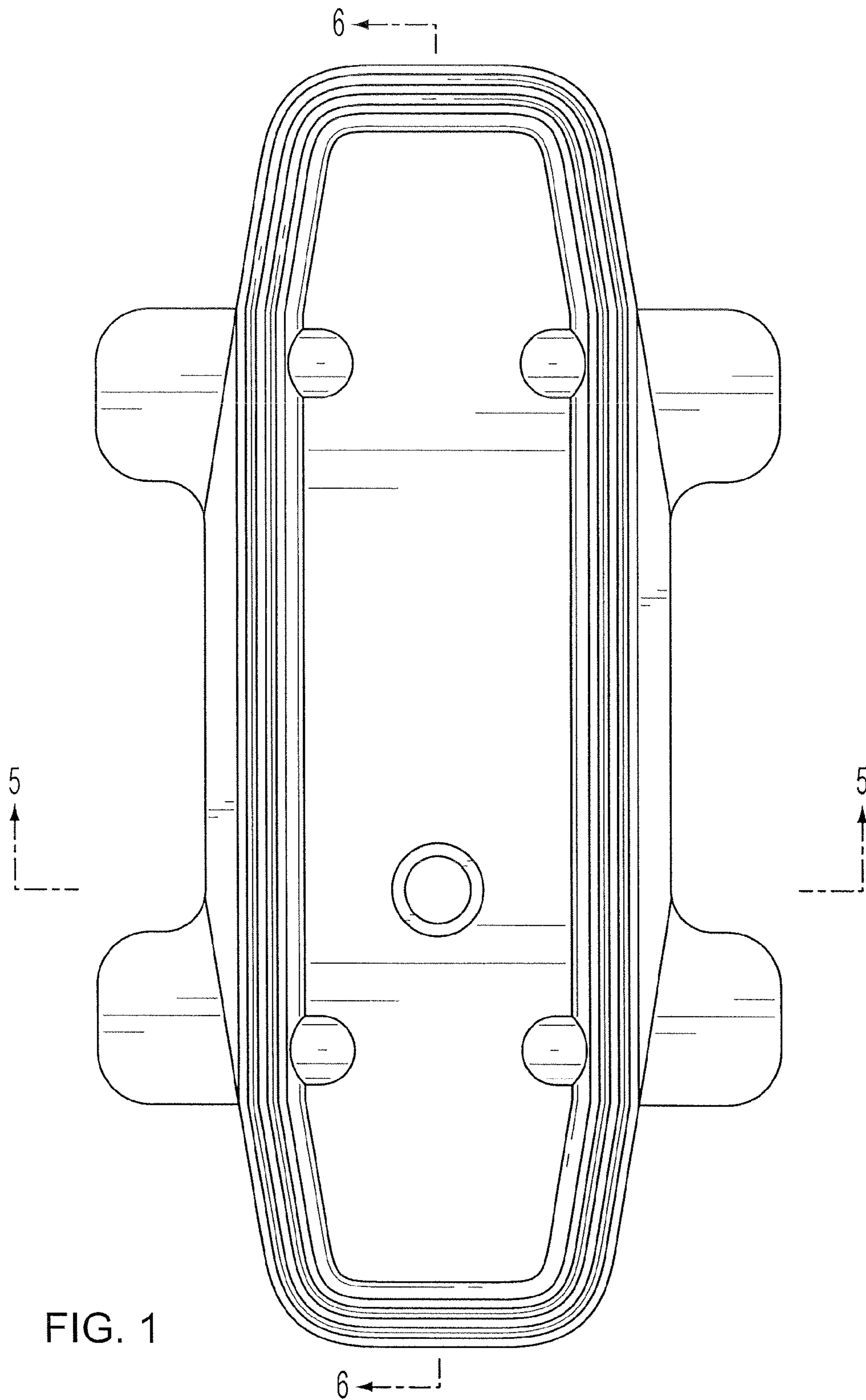
FIG. 5 is a cross-sectional view taken along line 5—5 of FIG. 1; and,

FIG. 6 is a cross-sectional view taken along line 6—6 of FIG. 1.

A left side elevational view is a mirror image of the right side view of FIG. 2. A bottom view is a mirror image of the top plain view of FIG. 3.

1 Claim, 6 Drawing Sheets





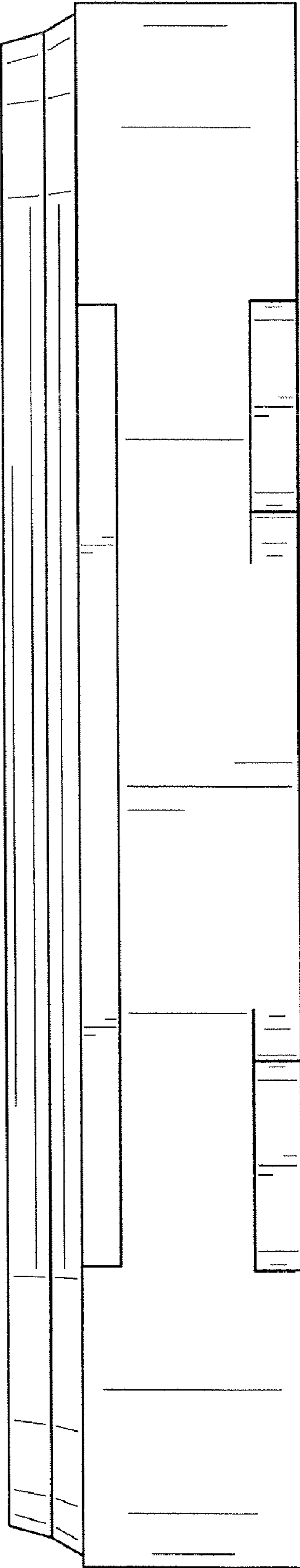


FIG. 2

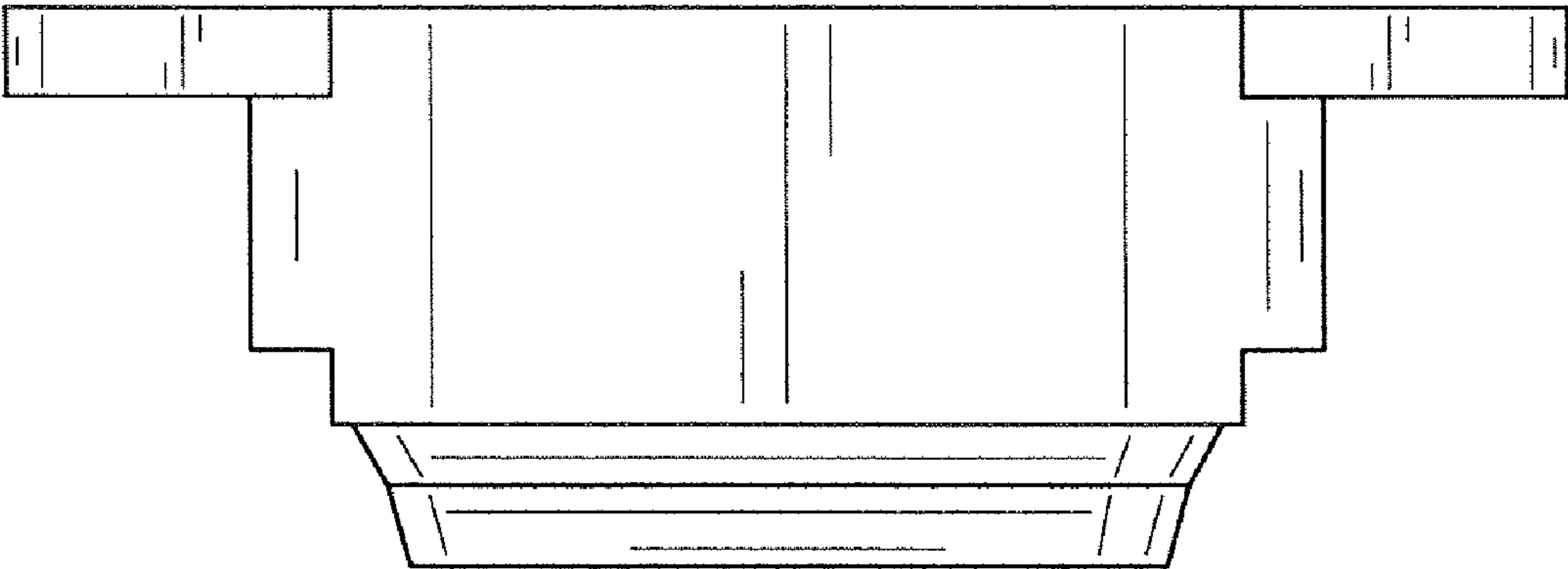


FIG. 3

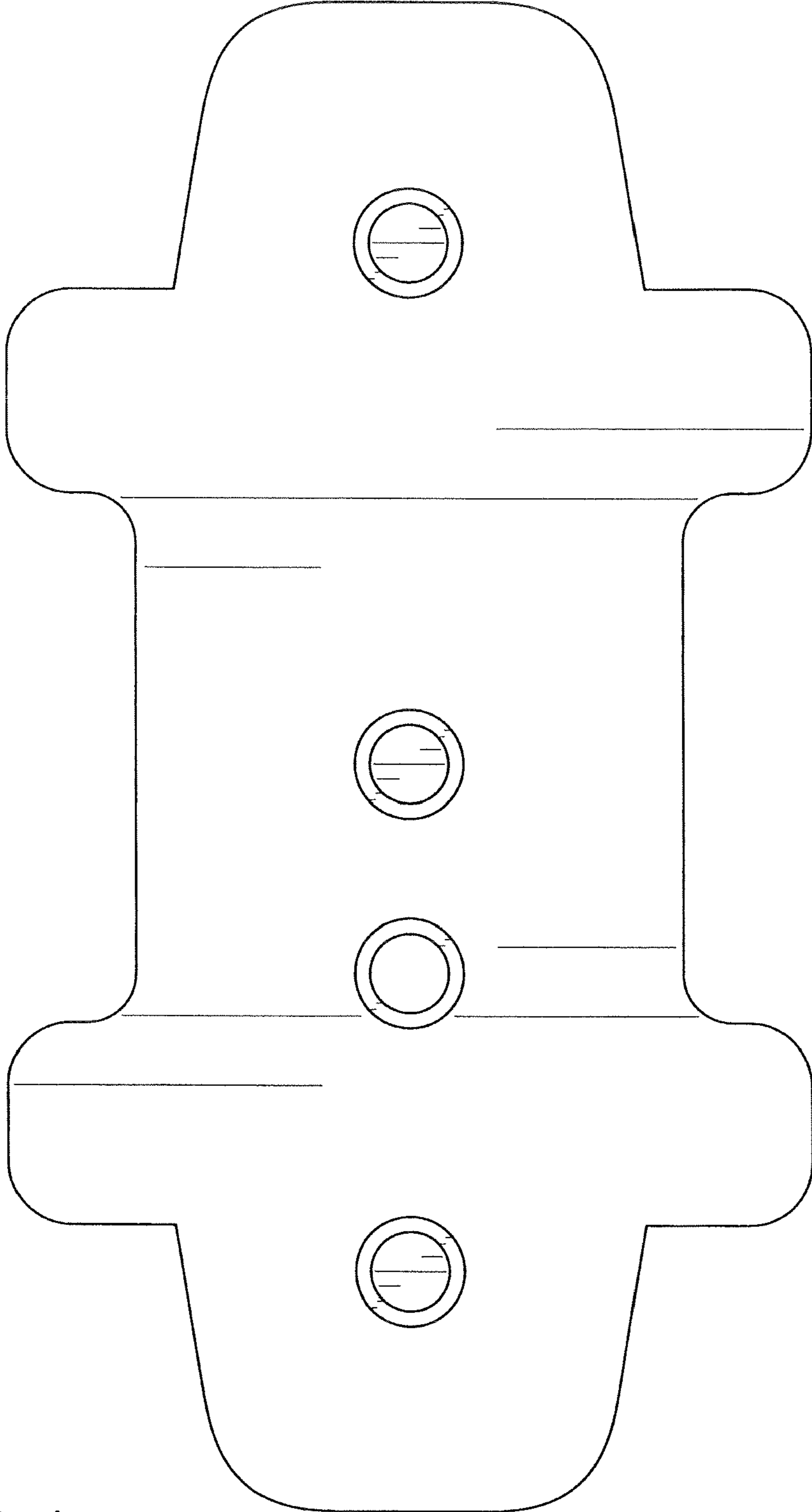


FIG. 4

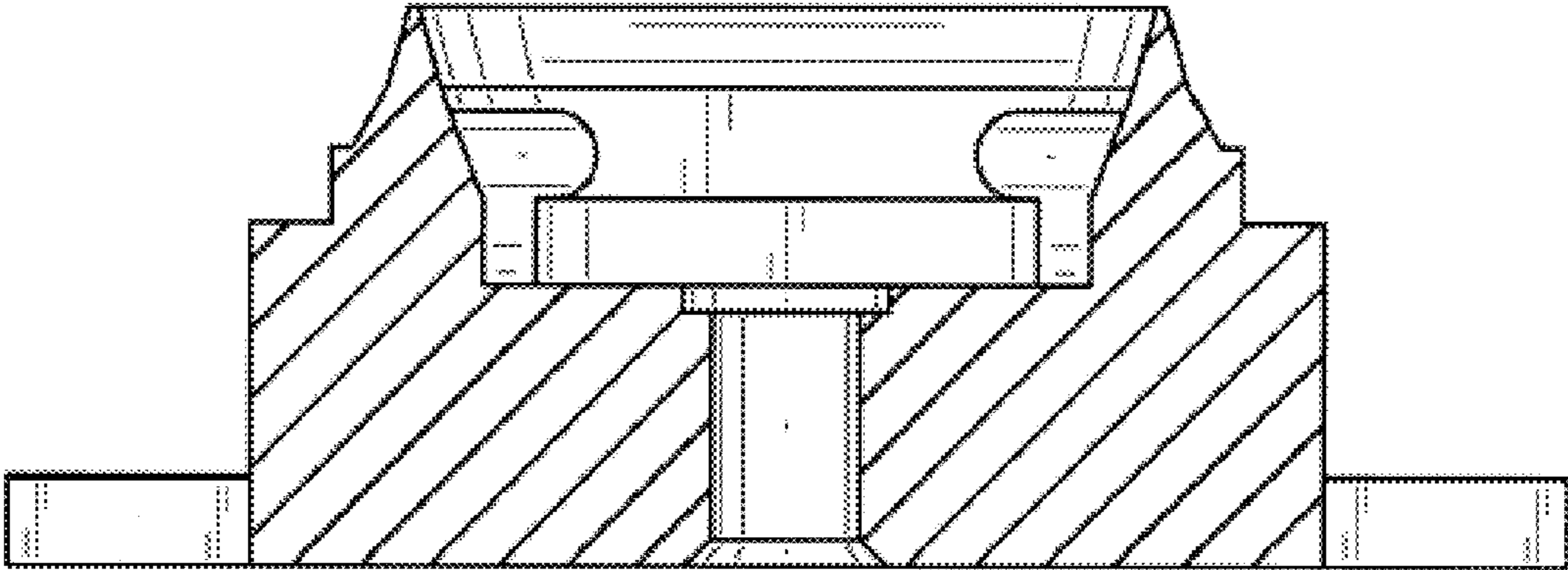


FIG. 5

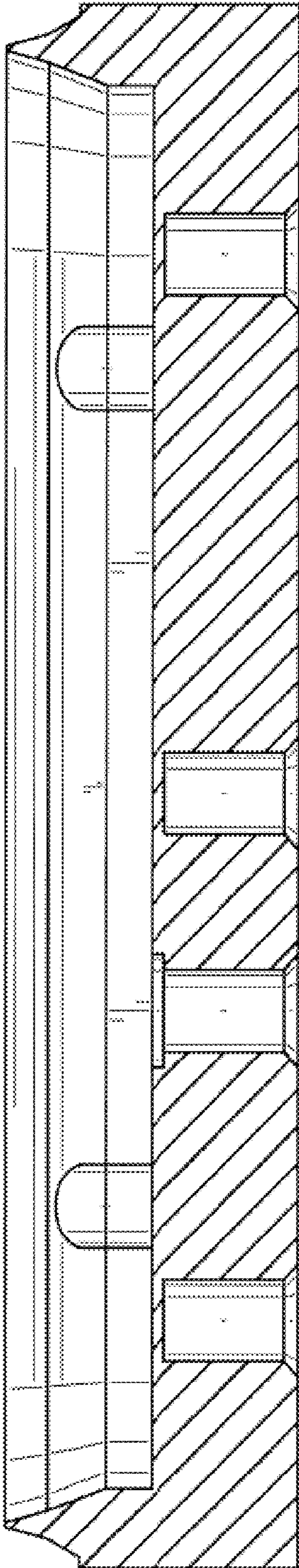


FIG. 6