



US00D618721S

(12) **United States Design Patent**
Wasai

(10) **Patent No.:** **US D618,721 S**
(45) **Date of Patent:** **** Jun. 29, 2010**

(54) **COUPLING FOR TONER CARTRIDGE**

(75) Inventor: **Akihiro Wasai**, Shizuoka-ken (JP)

(73) Assignee: **Toshiba Tec Kabushiki Kaisha** (JP)

(**) Term: **14 Years**

(21) Appl. No.: **29/316,231**

(22) Filed: **Sep. 4, 2009**

(30) **Foreign Application Priority Data**

Mar. 24, 2009 (JP) 2009-006492

(51) **LOC (9) Cl.** **16-03**

(52) **U.S. Cl.** **D18/43**

(58) **Field of Classification Search** D14/471;
D18/12, 36, 40, 43, 44, 56; 222/DIG. 1;
347/197, 222; 399/24-28, 107-112, 119,
399/121, 122, 222-224

See application file for complete search history.

(56) **References Cited**

U.S. PATENT DOCUMENTS

5,619,244 A * 4/1997 Manna D18/56
5,752,133 A * 5/1998 Nagase et al. 399/112
6,623,192 B1 * 9/2003 Kameyama 400/208
6,832,063 B2 * 12/2004 Ahn et al. 399/223
D511,186 S * 11/2005 Neri et al. D18/56
7,102,659 B2 * 9/2006 Hayashi 347/214
D537,472 S * 2/2007 Amano D18/43

7,466,330 B2 * 12/2008 Kim 347/197
2006/0008299 A1 * 1/2006 Amano et al. 399/262
2006/0013621 A1 * 1/2006 Kimura et al. 399/262
2006/0018681 A1 * 1/2006 Kim et al. 399/167
2007/0248382 A1 * 10/2007 Oguma et al. 399/167
2009/0129813 A1 * 5/2009 Nagashima et al. 399/119

* cited by examiner

Primary Examiner—Caron Veynar

Assistant Examiner—Garth Rademaker

(74) *Attorney, Agent, or Firm*—Harnes, Dickey & Pierce, P.L.C.

(57) **CLAIM**

The ornamental design for a coupling for toner cartridge, as shown and described.

DESCRIPTION

FIG. 1 is a front, top and left side perspective view of a coupling for toner cartridge, showing my new design;

FIG. 2 is a rear, top and right side perspective view thereof;

FIG. 3 is a front elevational view thereof;

FIG. 4 is a rear elevational view thereof;

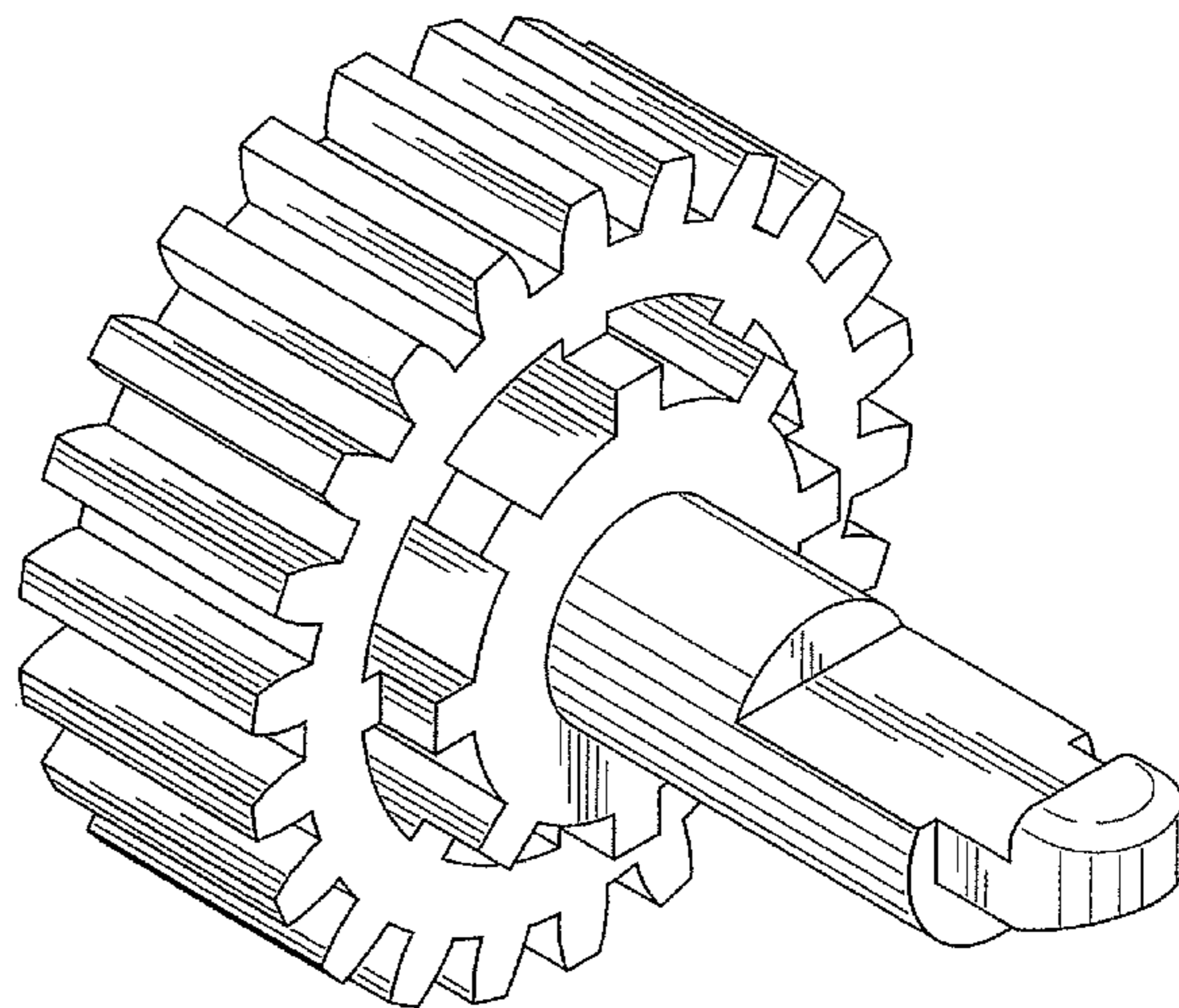
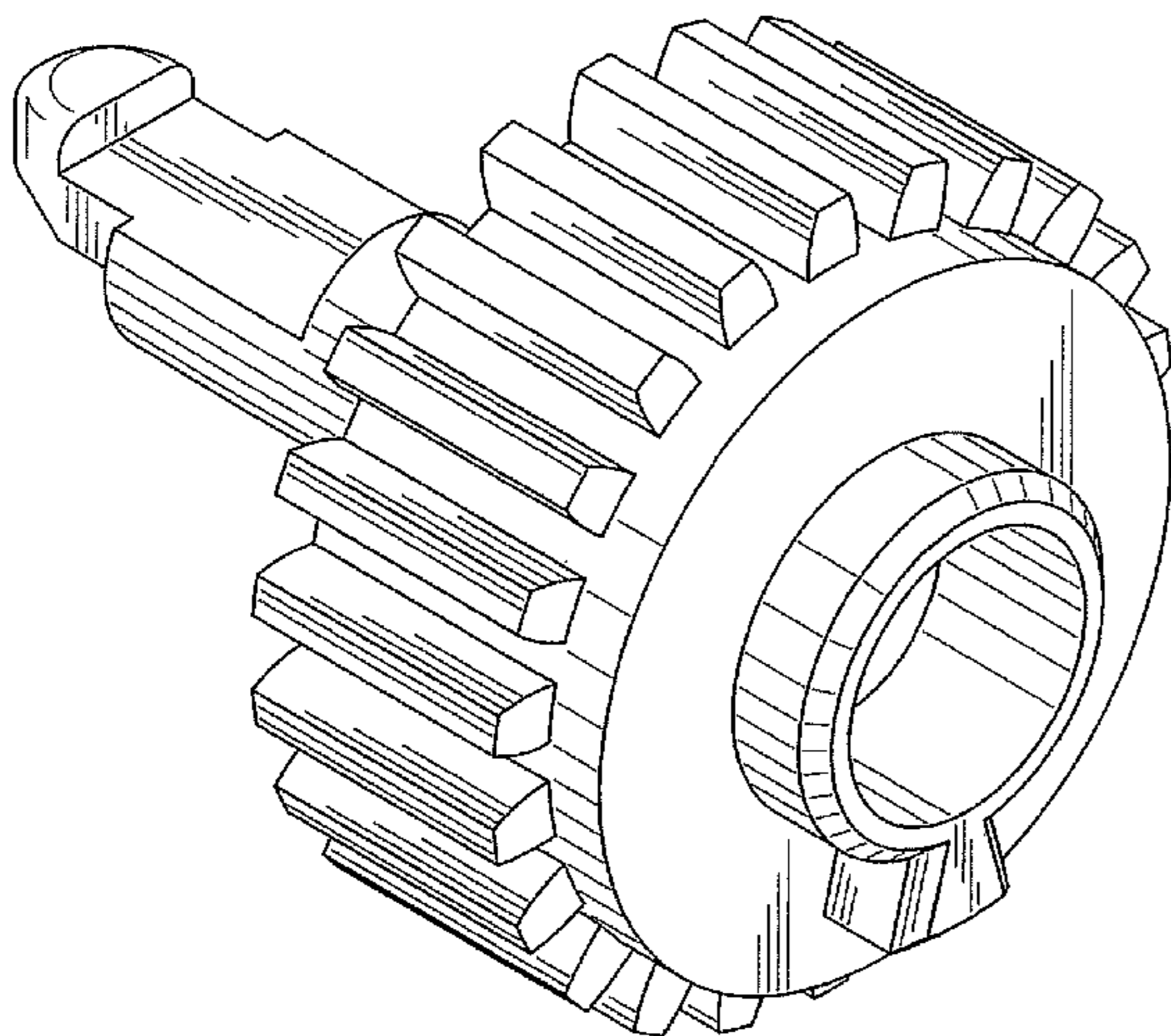
FIG. 5 is a top plan view thereof;

FIG. 6 is a bottom plan view thereof;

FIG. 7 is a right side elevational view thereof; and,

FIG. 8 is a left side elevational view thereof.

1 Claim, 5 Drawing Sheets



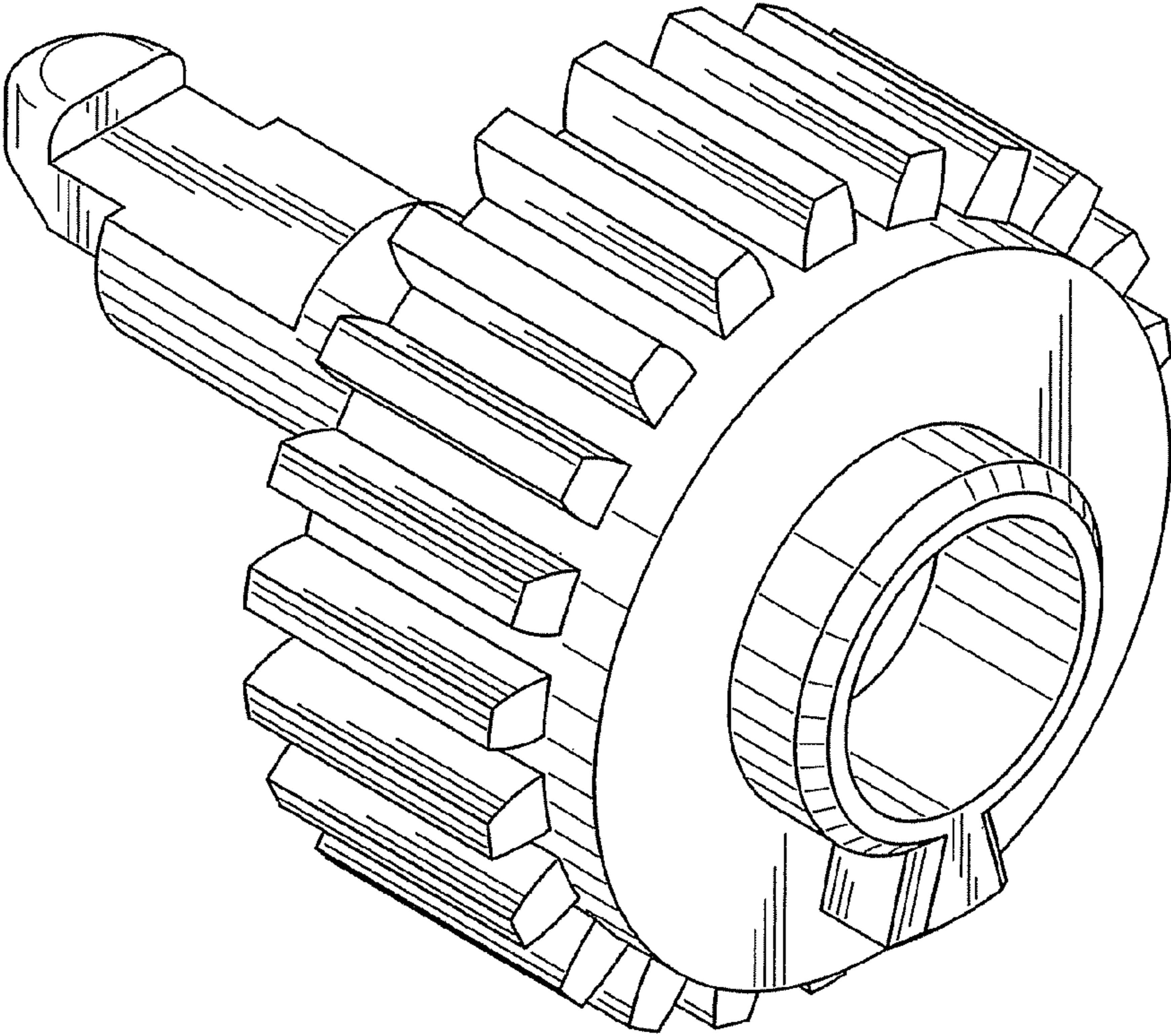


FIG. 1

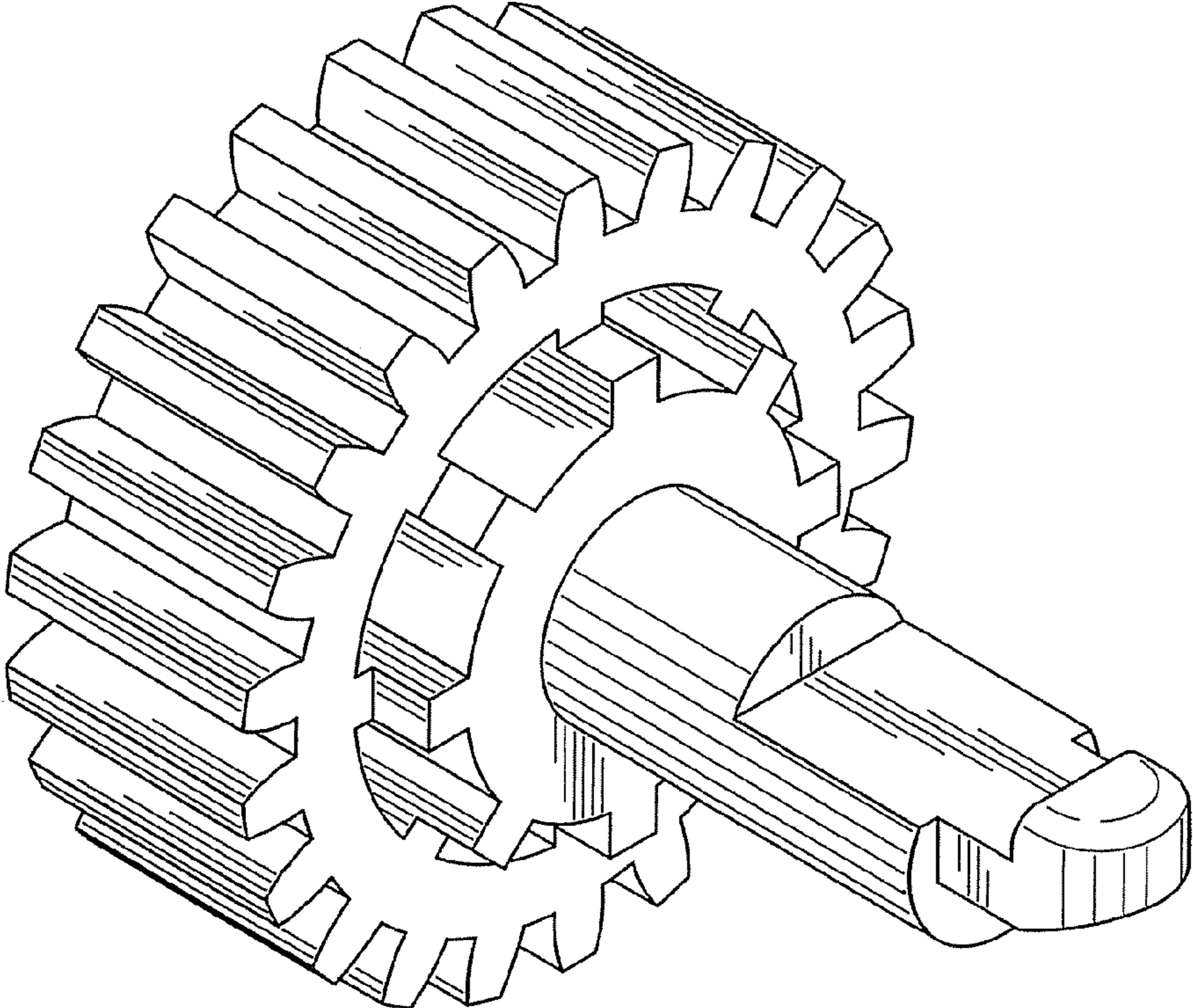


FIG. 2

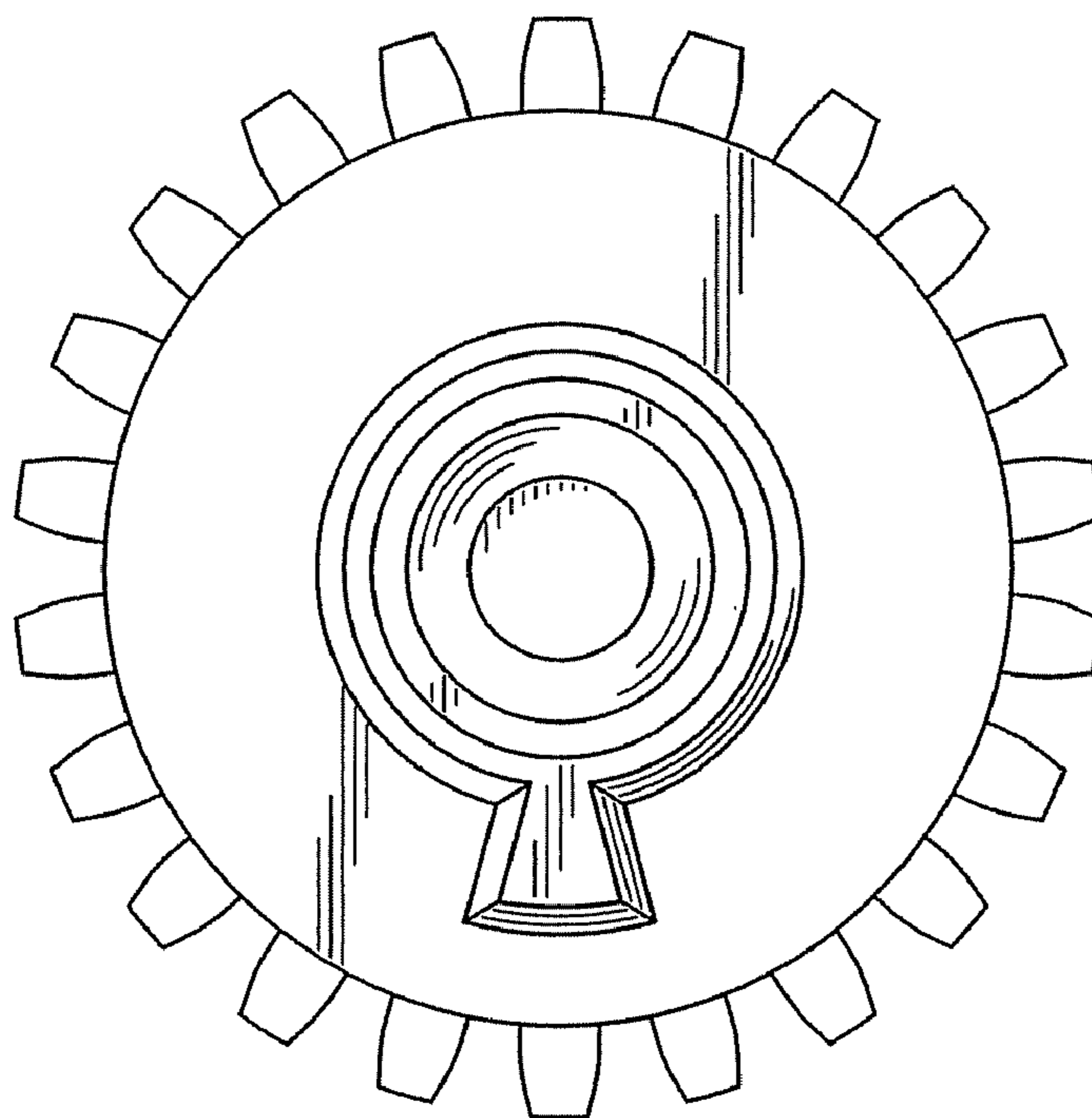


FIG.3

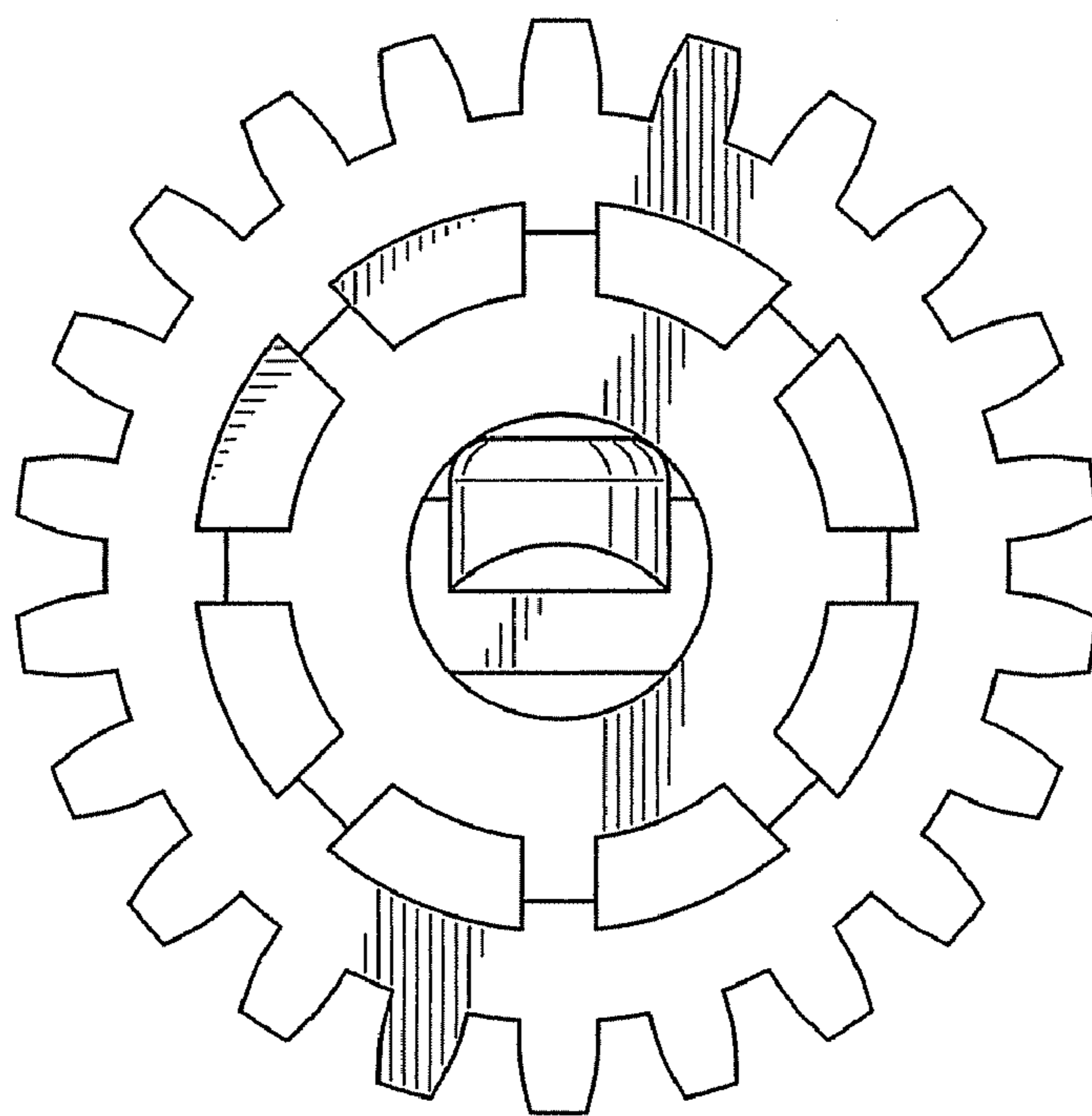


FIG.4

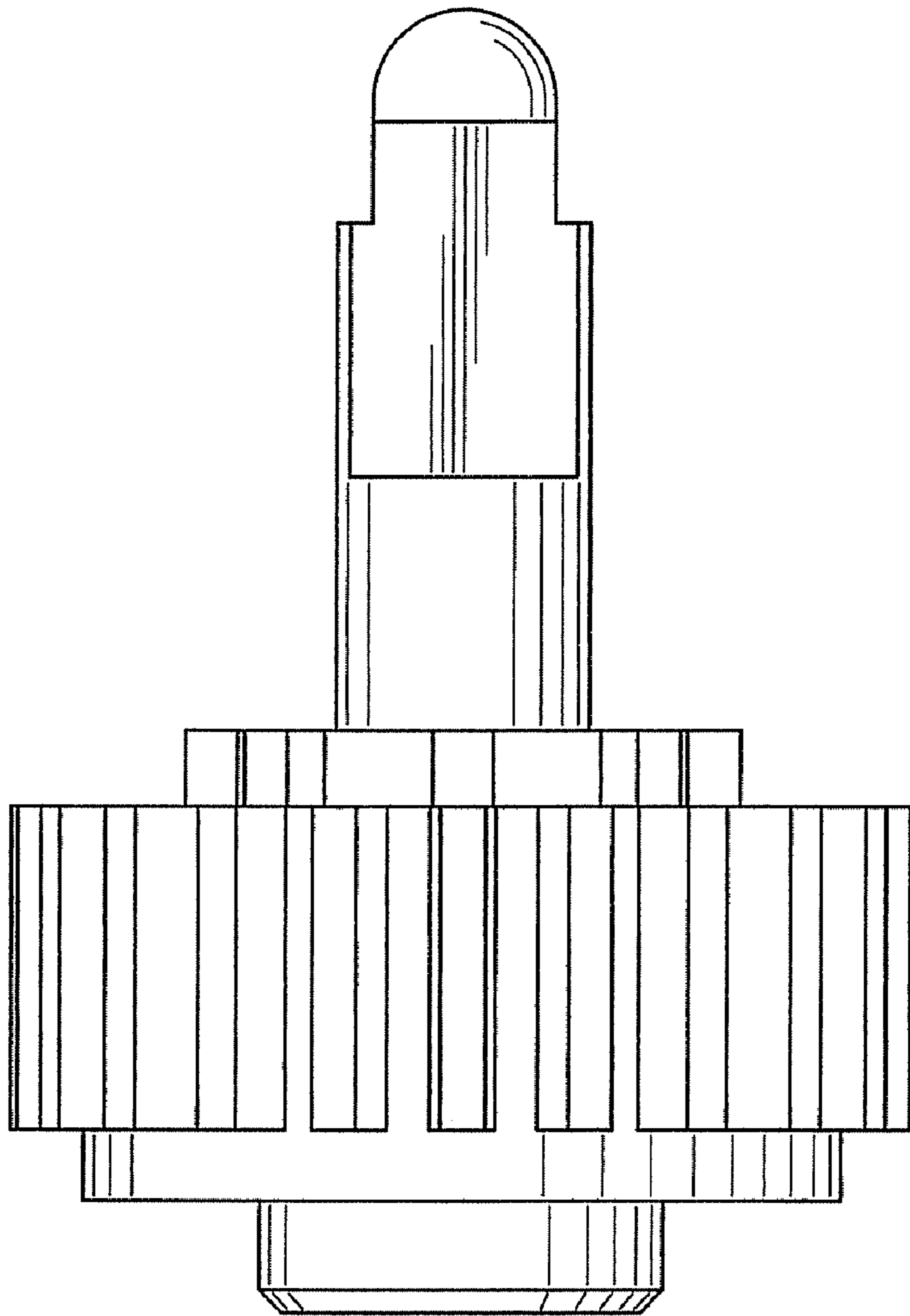


FIG.5

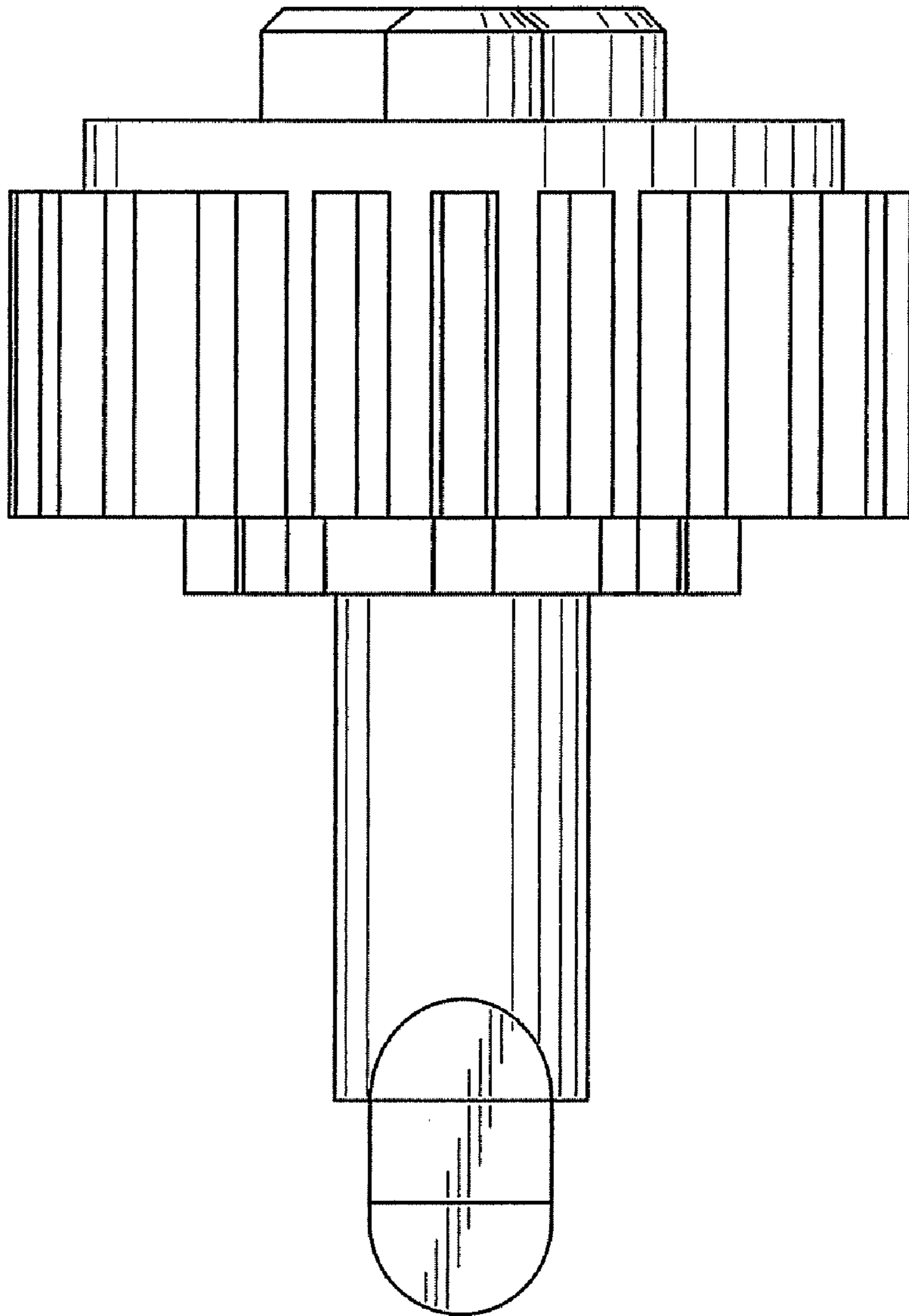


FIG.6

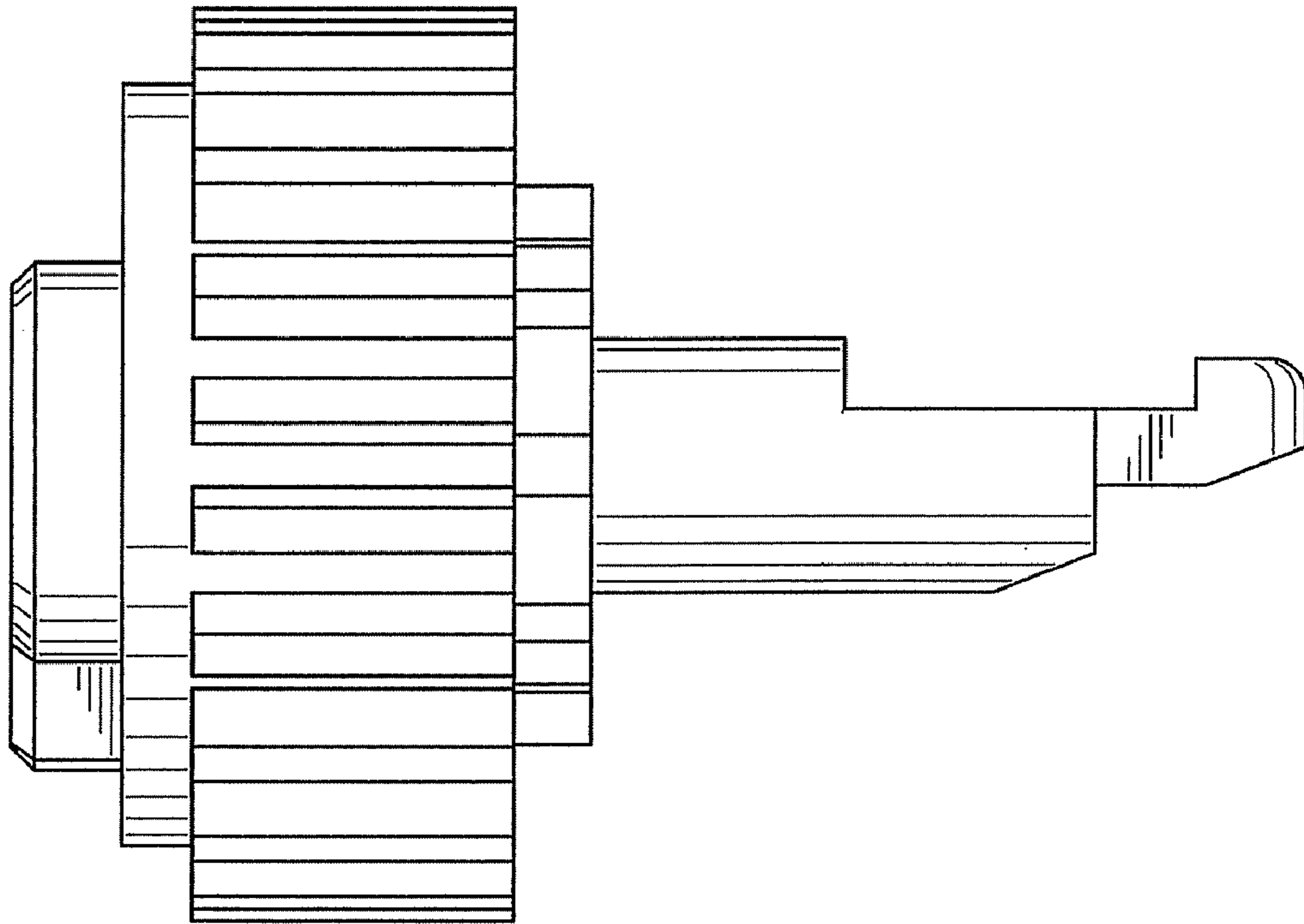


FIG. 7

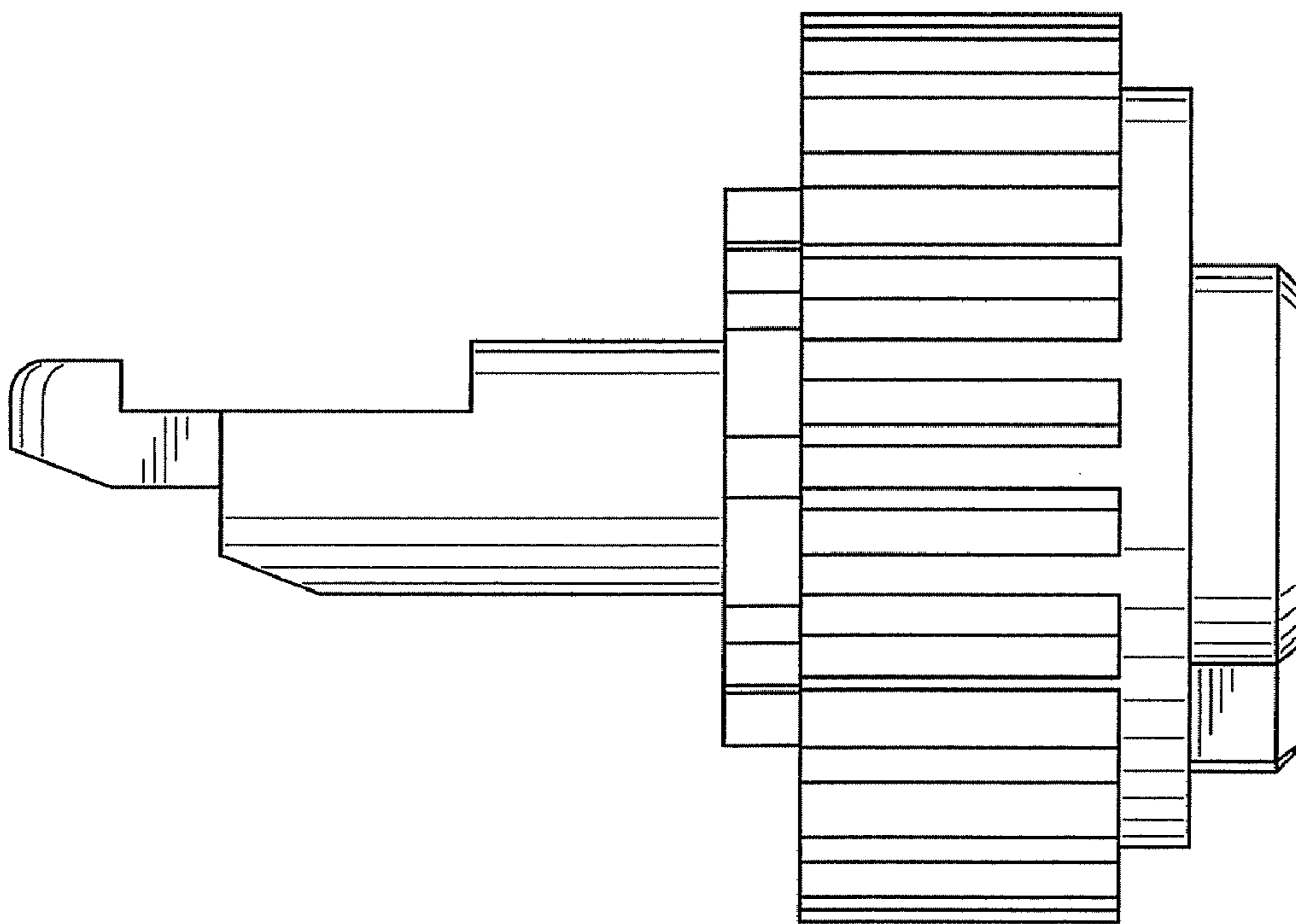


FIG. 8