



US00D618720S

(12) **United States Design Patent**  
**Wasai**

(10) **Patent No.:** **US D618,720 S**  
(45) **Date of Patent:** **\*\* Jun. 29, 2010**

(54) **COUPLING FOR TONER CARTRIDGE**

(75) Inventor: **Akihiro Wasai**, Shizuoka-ken (JP)

(73) Assignee: **Toshiba Tec Kabushiki Kaisha** (JP)

(\*\*) Term: **14 Years**

(21) Appl. No.: **29/310,478**

(22) Filed: **Aug. 20, 2008**

(30) **Foreign Application Priority Data**

Feb. 29, 2008 (JP) ..... 2008-004787

(51) **LOC (9) Cl.** ..... **16-03**

(52) **U.S. Cl.** ..... **D18/43**

(58) **Field of Classification Search** ..... D14/471;  
D18/12, 36, 40, 43, 44, 56; 222/DIG. 1;  
347/197, 222; 399/24–28, 107–112, 119,  
399/121, 122, 222–224

See application file for complete search history.

(56) **References Cited**

**U.S. PATENT DOCUMENTS**

5,619,244 A \* 4/1997 Manna ..... D18/56  
5,752,133 A \* 5/1998 Nagase et al. .... 399/112  
6,623,192 B1 \* 9/2003 Kameyama ..... 347/214  
6,832,063 B2 \* 12/2004 Ahn et al. .... 399/223  
D511,186 S \* 11/2005 Neri et al. .... D18/56  
7,102,659 B2 \* 9/2006 Hayashi ..... 347/214  
D537,472 S \* 2/2007 Amano ..... D18/43

7,466,330 B2 \* 12/2008 Kim ..... 347/197  
2006/0008299 A1 \* 1/2006 Amano et al. .... 399/262  
2006/0013621 A1 \* 1/2006 Kimura et al. .... 399/262  
2006/0018681 A1 \* 1/2006 Kim et al. .... 399/167  
2007/0248382 A1 \* 10/2007 Oguma et al. .... 399/167  
2009/0129813 A1 \* 5/2009 Nagashima et al. .... 399/119

\* cited by examiner

*Primary Examiner*—Caron Veynar

*Assistant Examiner*—Garth Rademaker

(74) *Attorney, Agent, or Firm*—Harness, Dickey & Pierce, P.L.C.

(57) **CLAIM**

The ornamental design for a coupling for toner cartridge, as shown and described.

**DESCRIPTION**

FIG. 1 is a front, top and right side perspective view of a coupling for toner cartridge, showing my new design;

FIG. 2 is a rear, top and left side perspective view thereof;

FIG. 3 is a front view thereof;

FIG. 4 is a rear view thereof;

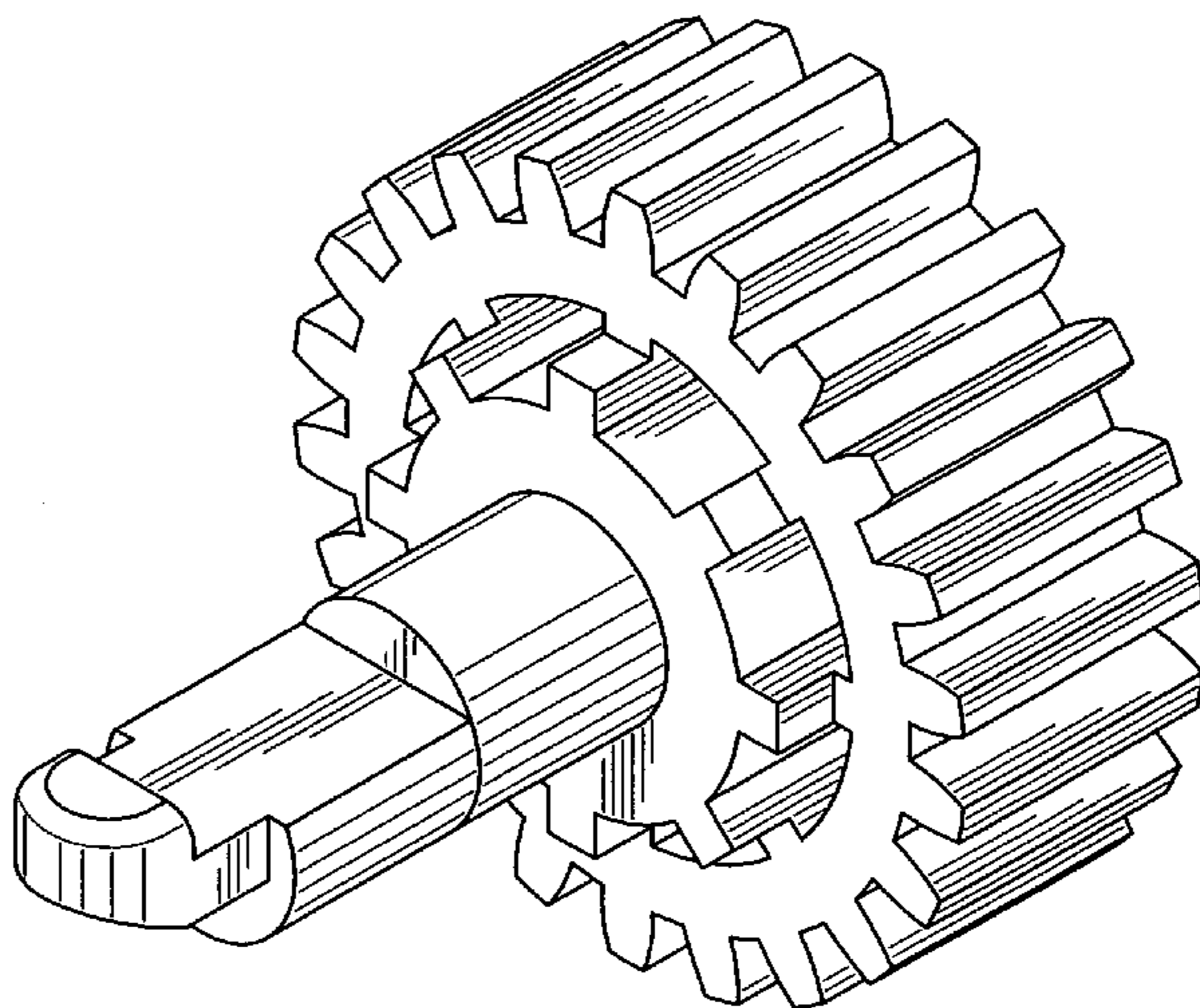
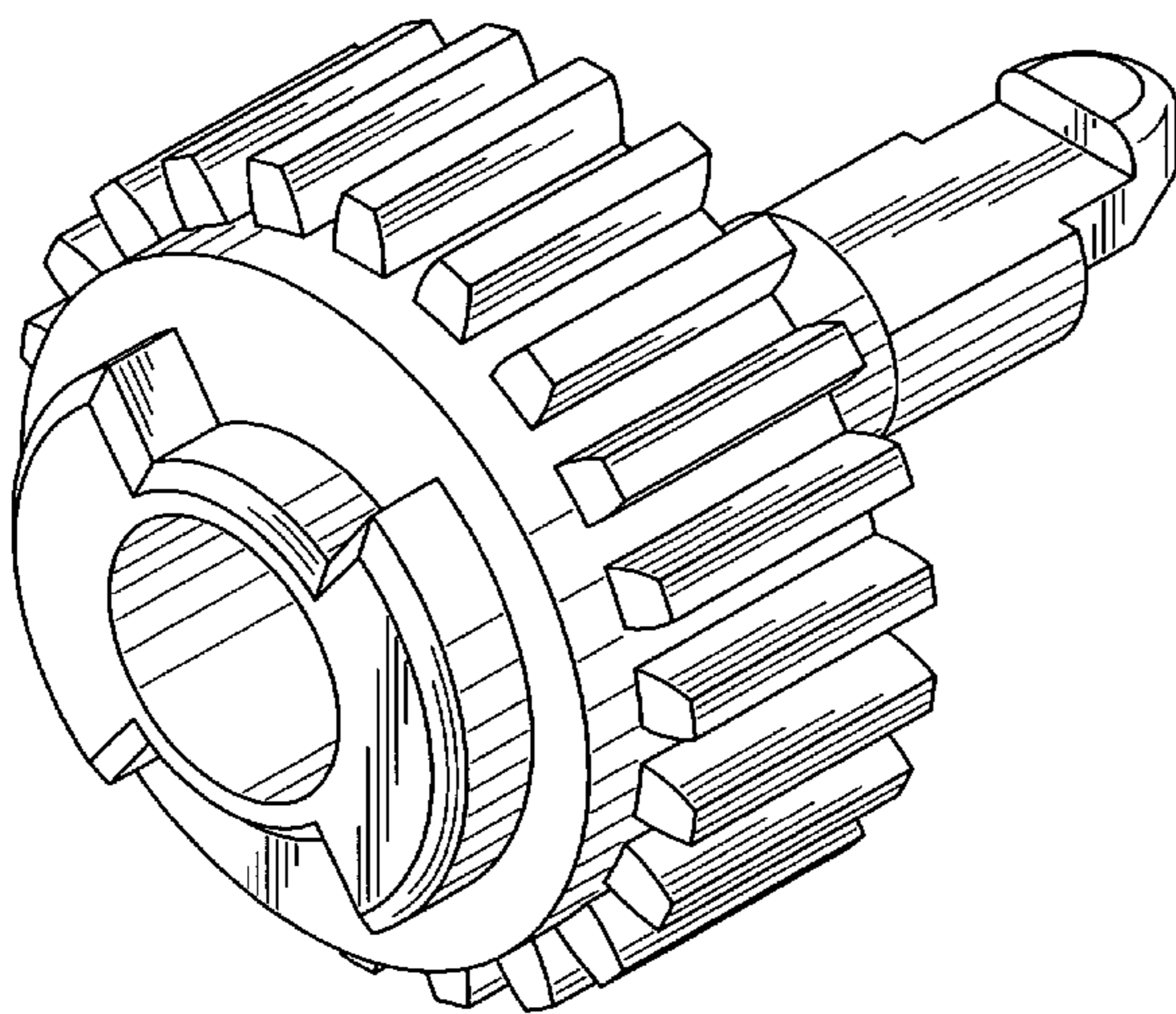
FIG. 5 is a top view thereof.

FIG. 6 is a bottom view thereof;

FIG. 7 is a right side view thereof; and,

FIG. 8 is a left side view thereof.

**1 Claim, 5 Drawing Sheets**



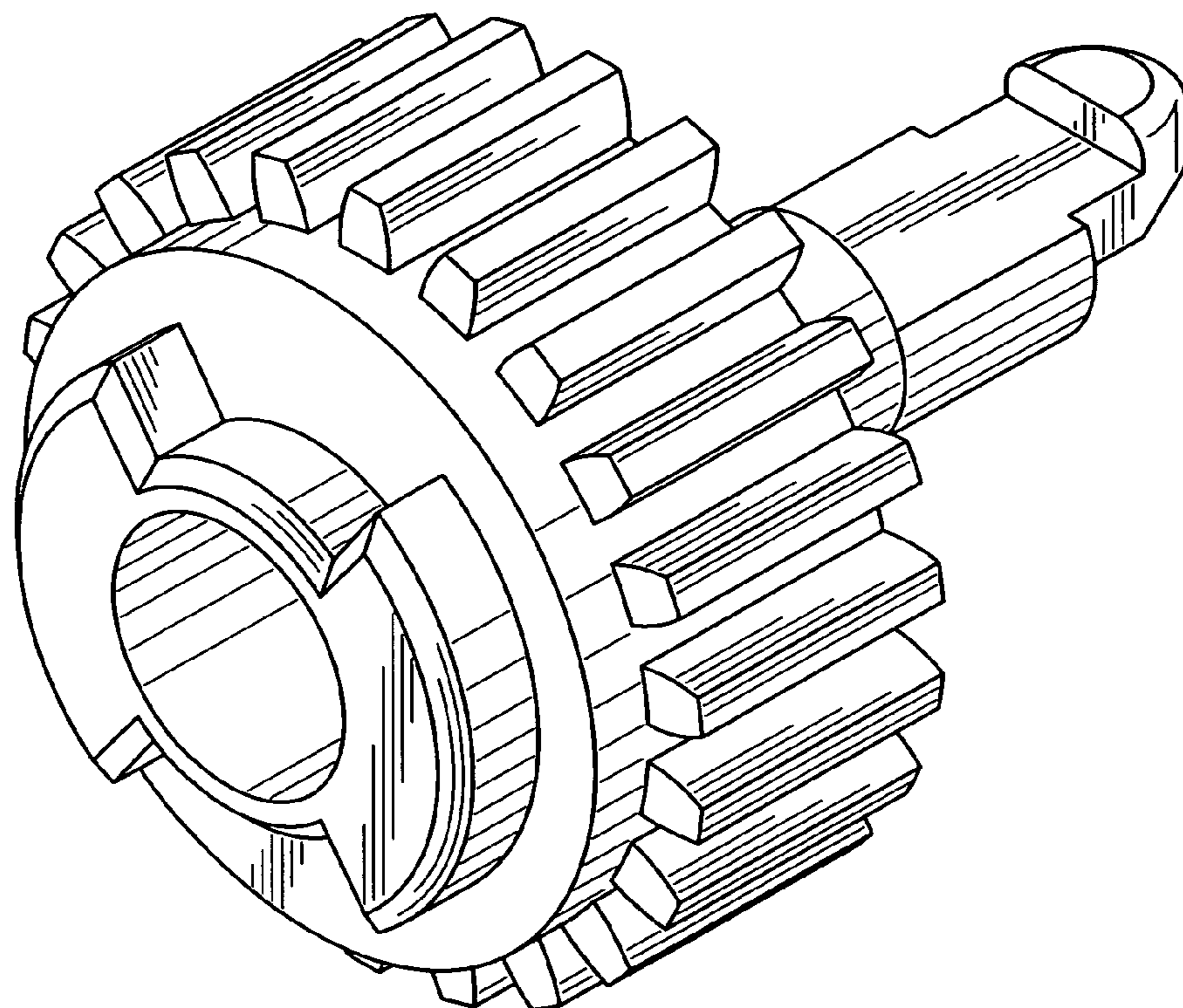


FIG.1

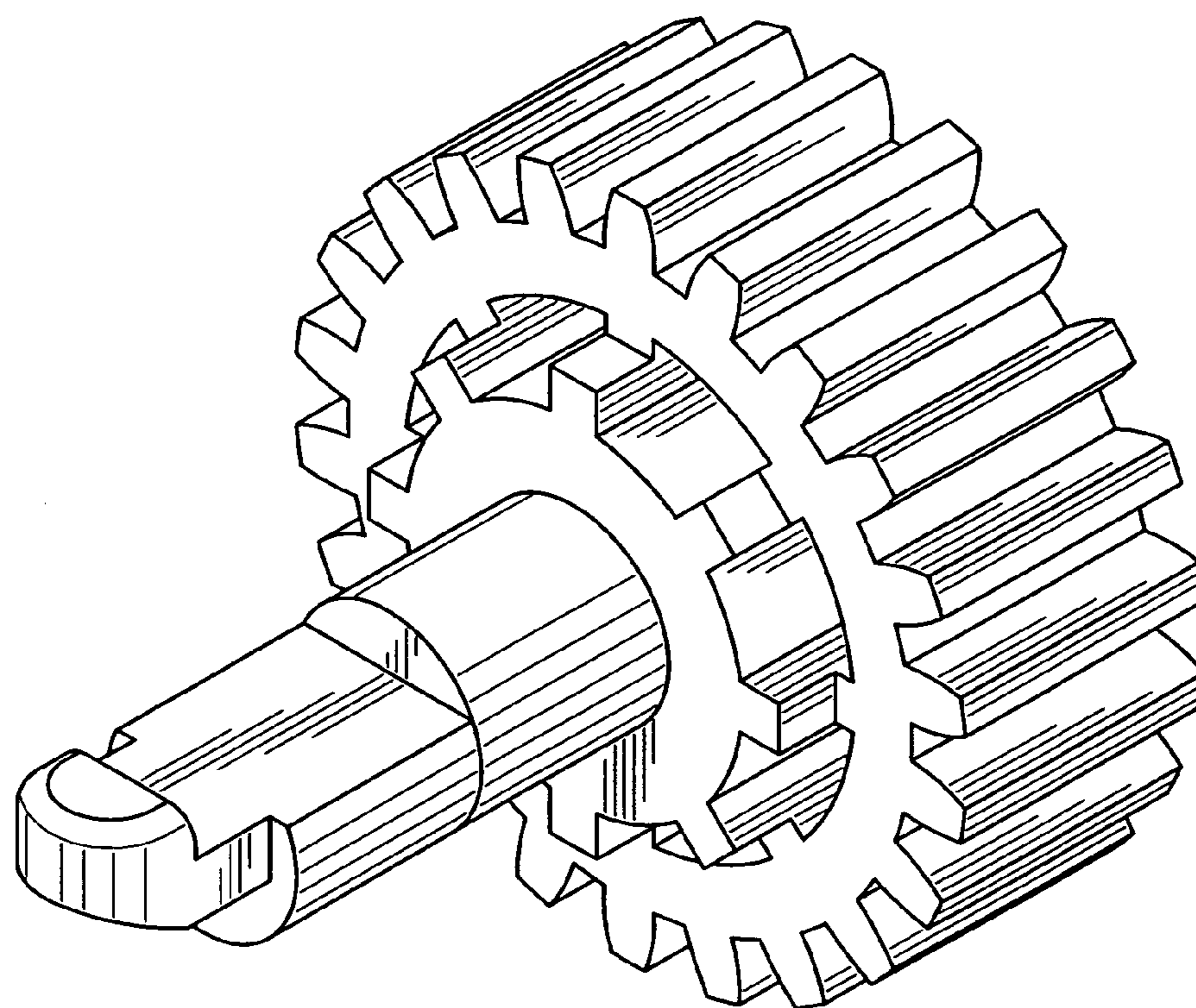


FIG.2

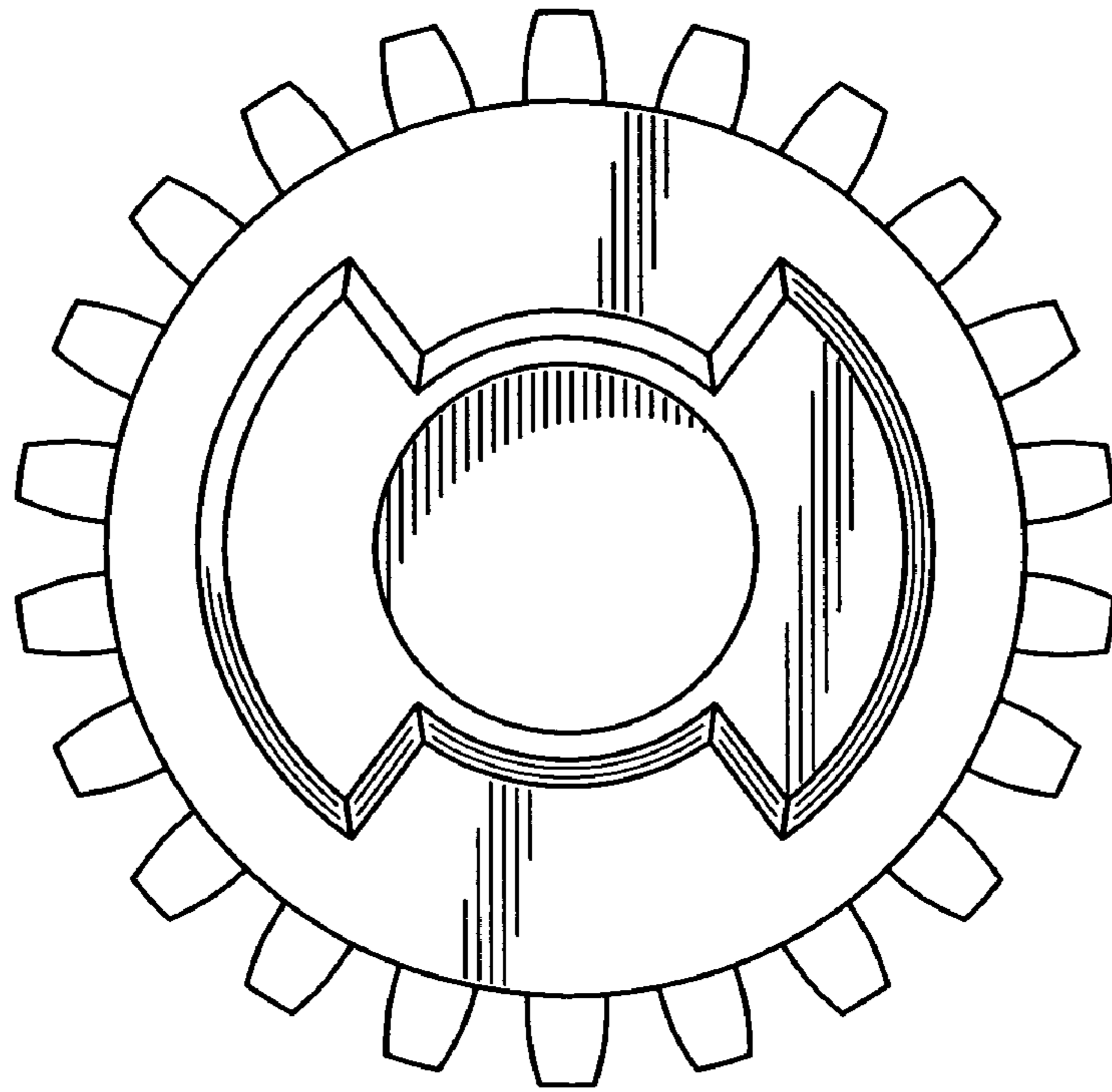


FIG. 3

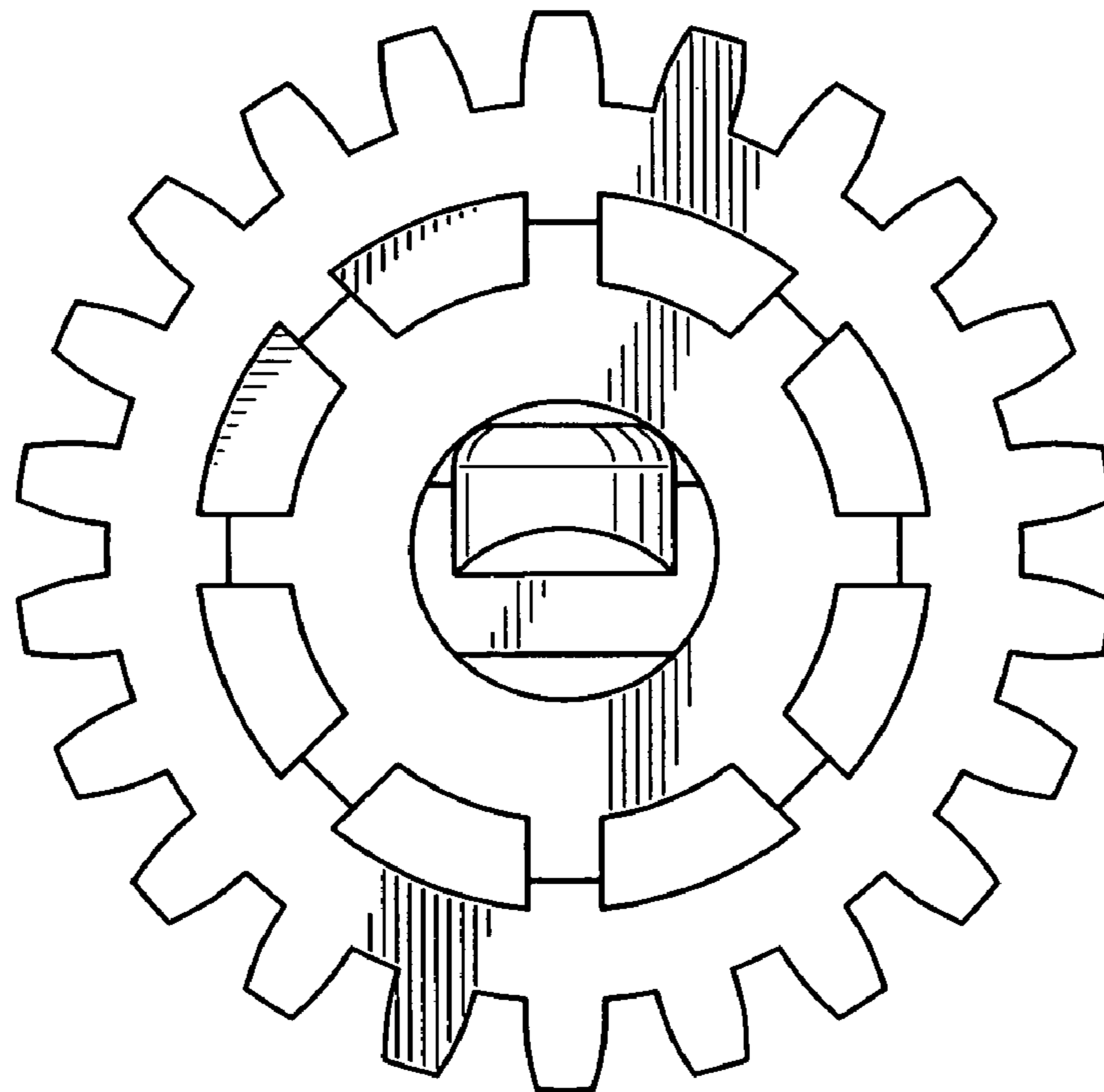


FIG. 4

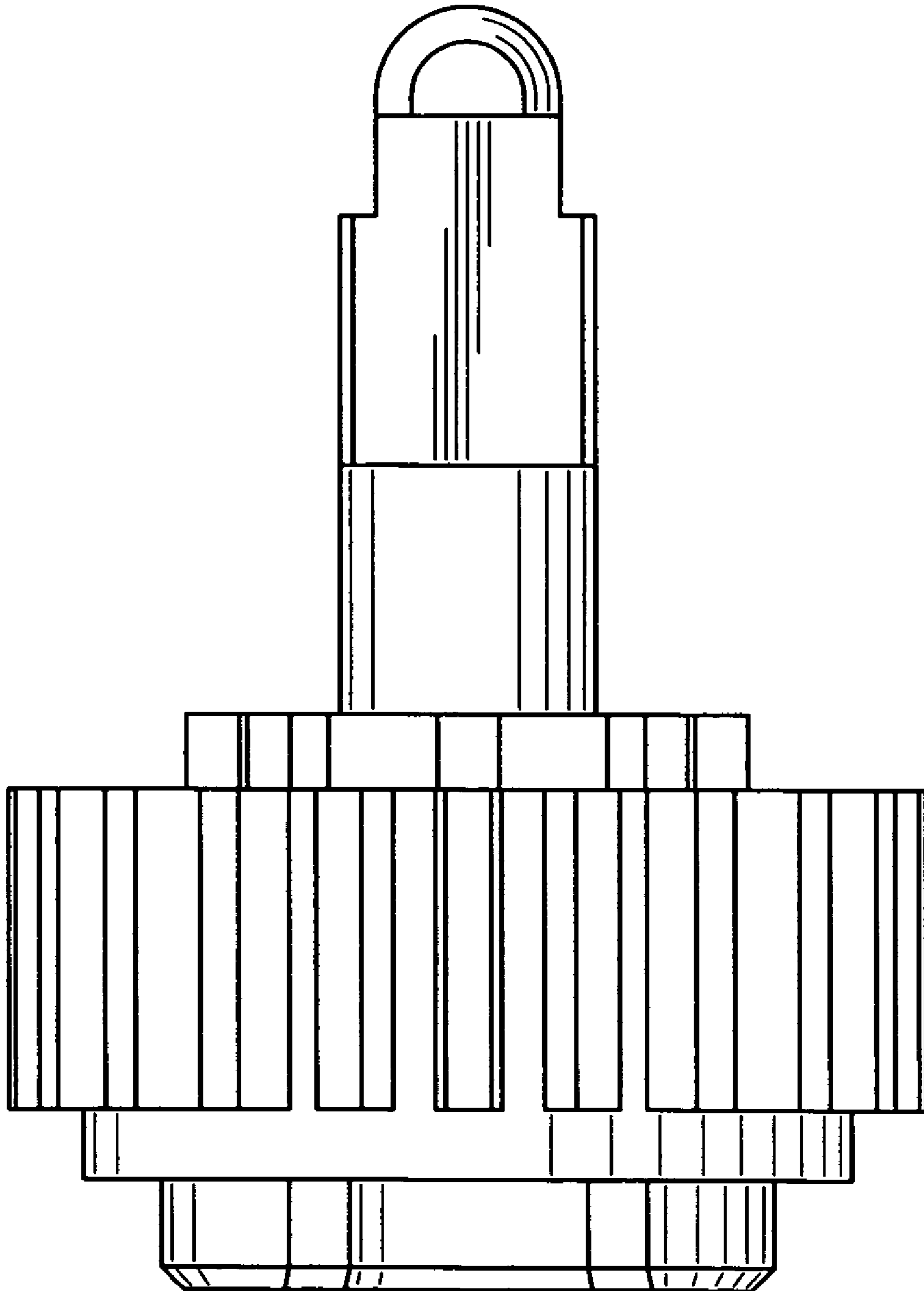


FIG.5

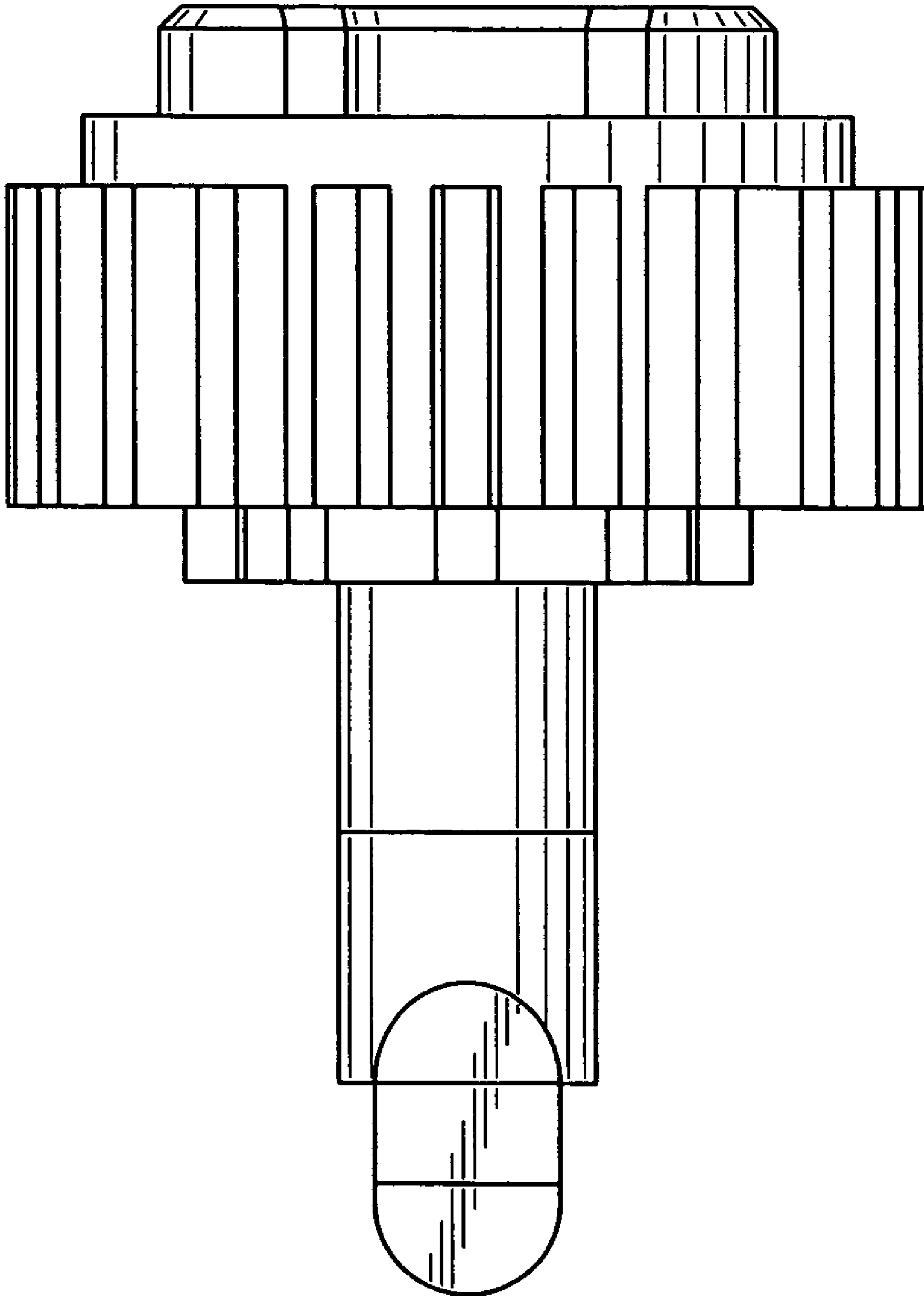


FIG.6

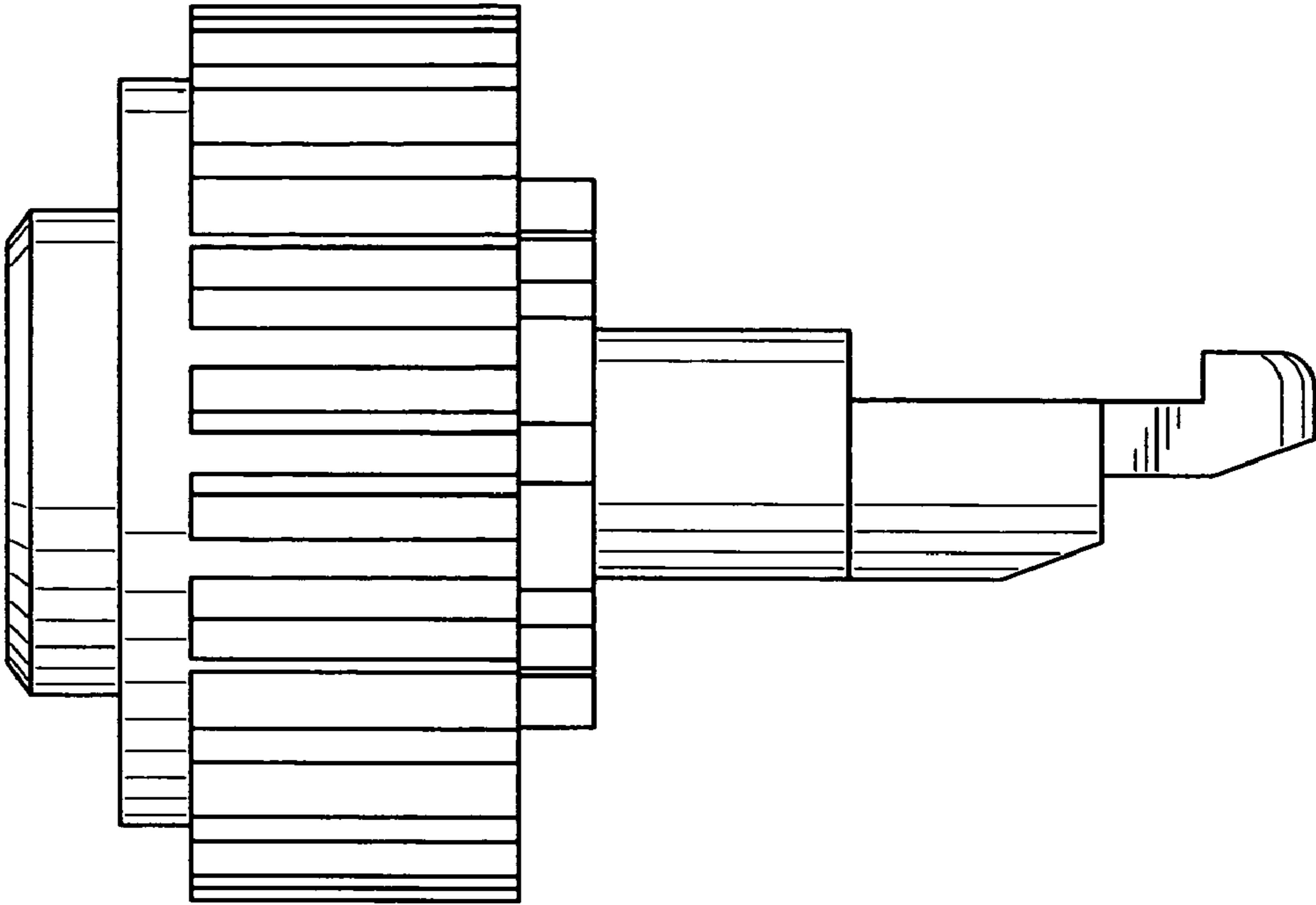


FIG. 7

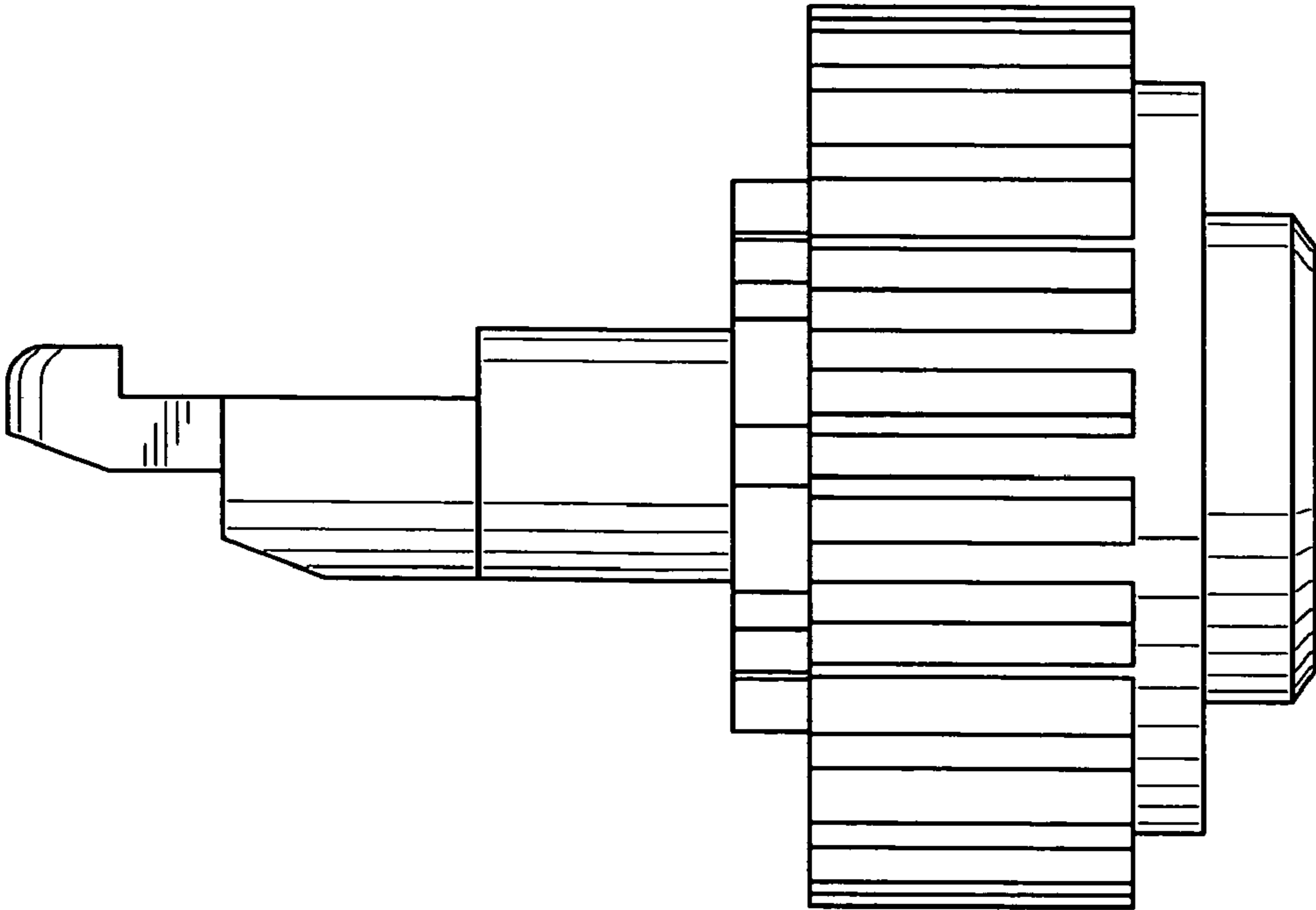


FIG. 8