



US00D618718S

(12) **United States Design Patent**
Oota et al.

(10) **Patent No.:** **US D618,718 S**
(45) **Date of Patent:** **** Jun. 29, 2010**

(54) **PROJECTOR**

(75) Inventors: **Yukihiko Oota**, Tokyo (JP); **Kosuke Ito**, Tokyo (JP); **Kiyotaka Fujita**, Tokyo (JP); **Naoto Fukasawa**, Tokyo (JP)

(73) Assignee: **NEC Display Solutions, Ltd.**, Tokyo (JP)

(**) Term: **14 Years**

(21) Appl. No.: **29/341,630**

(22) Filed: **Aug. 10, 2009**

(30) **Foreign Application Priority Data**

Feb. 20, 2009 (JP) 2009-003527

(51) **LOC (9) Cl.** **16-02**

(52) **U.S. Cl.** **D16/225; D16/230**

(58) **Field of Classification Search** D16/205, D16/208, 221, 225, 229, 230, 231, 234, 235; D21/514; 353/115, 119, 122

See application file for complete search history.

(56) **References Cited**

U.S. PATENT DOCUMENTS

D429,270 S * 8/2000 Ishibashi et al. D16/231
D449,331 S * 10/2001 Kawahara et al. D16/230
D472,571 S * 4/2003 Williams et al. D16/230

D498,489 S * 11/2004 Oross D16/230
D504,453 S * 4/2005 Junsu et al. D16/231
D510,098 S * 9/2005 Ishikawa et al. D16/231
D512,736 S * 12/2005 Zadeh et al. D16/230
D516,603 S * 3/2006 Yeh et al. D16/230
D517,588 S * 3/2006 Yamada et al. D16/230
D552,149 S * 10/2007 Sakai et al. D16/230
D600,266 S * 9/2009 Nagase D16/225

* cited by examiner

Primary Examiner—Stella M Reid

Assistant Examiner—Wan Laymon

(74) *Attorney, Agent, or Firm*—Sughrue Mion, PLLC

(57) **CLAIM**

The ornamental design for a projector, as shown.

DESCRIPTION

FIG. 1 is a front, right side, top perspective view of a projector showing our new design;

FIG. 2 is a front elevational view thereof;

FIG. 3 is a rear elevational view thereof;

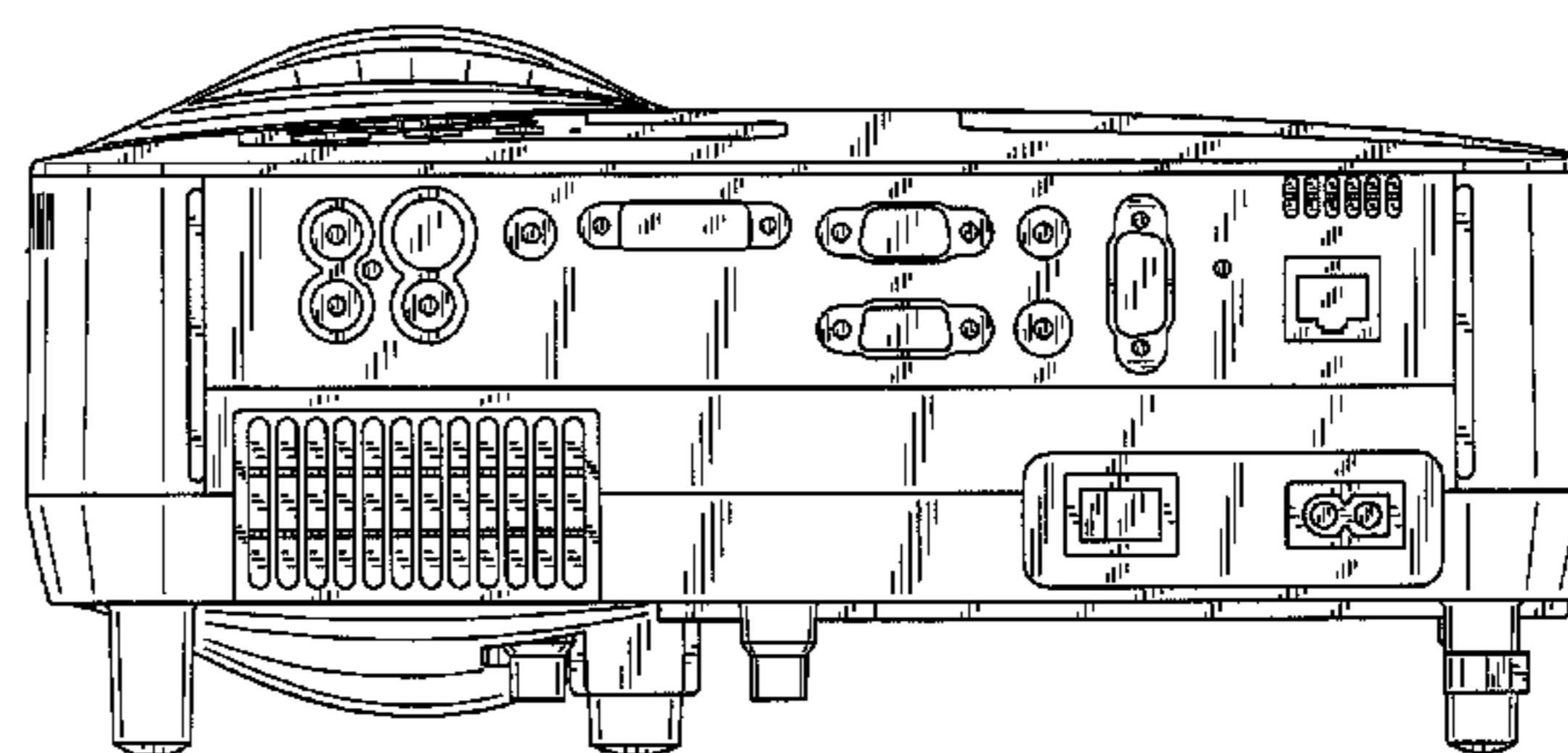
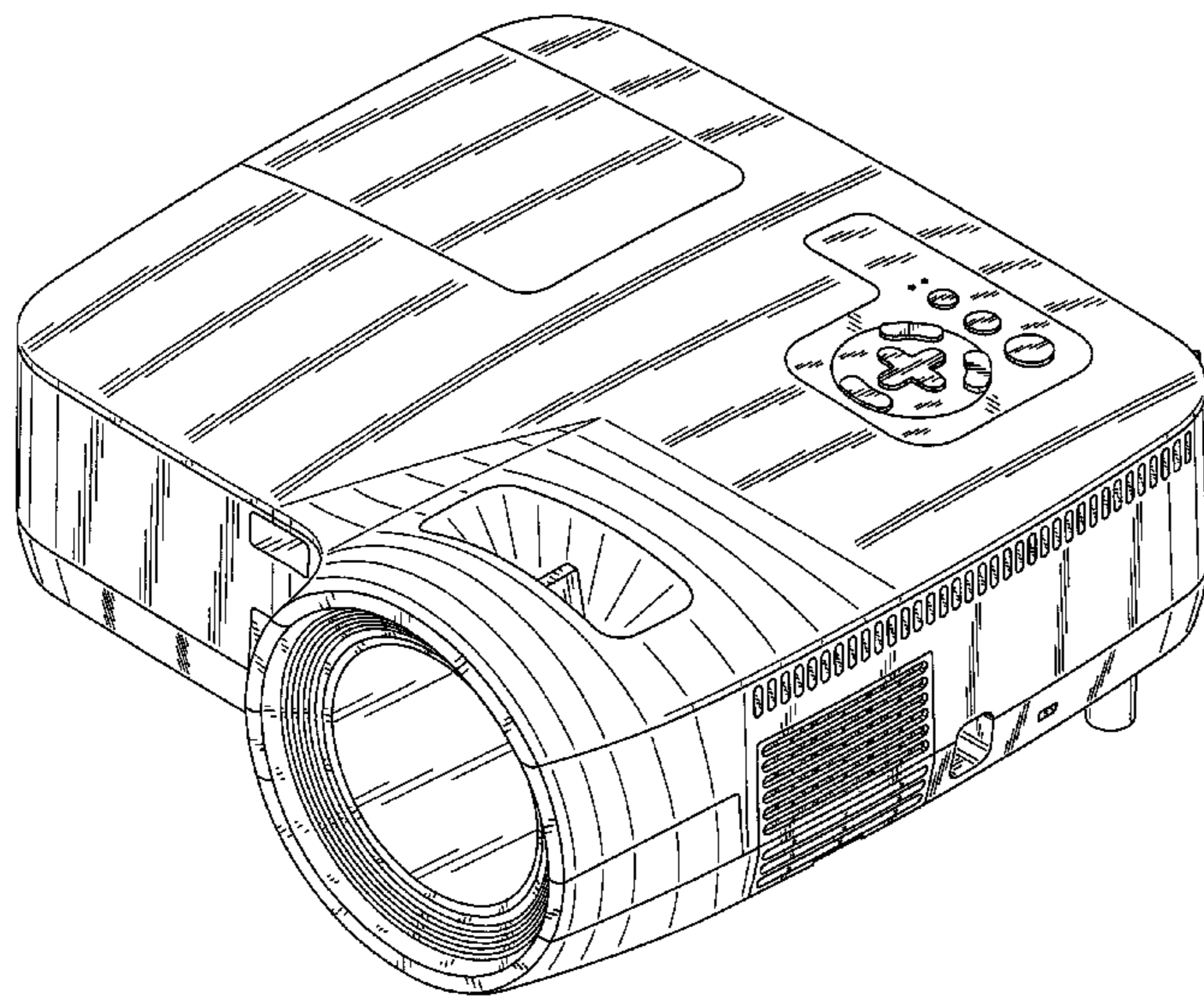
FIG. 4 is a left side view thereof;

FIG. 5 is a right side view thereof;

FIG. 6 is a top plan view thereof; and,

FIG. 7 is a bottom plan view thereof.

1 Claim, 7 Drawing Sheets



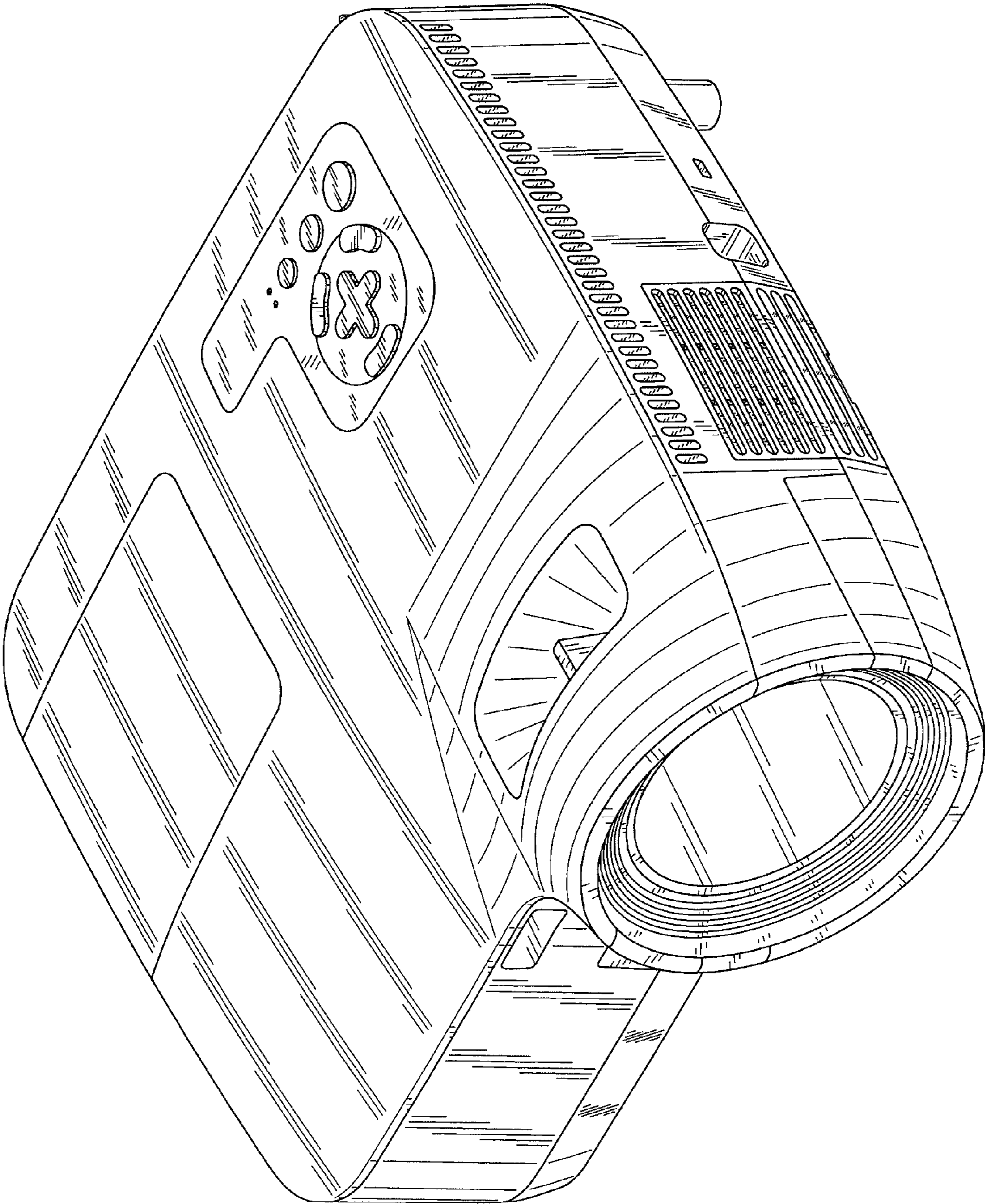


FIG. 1

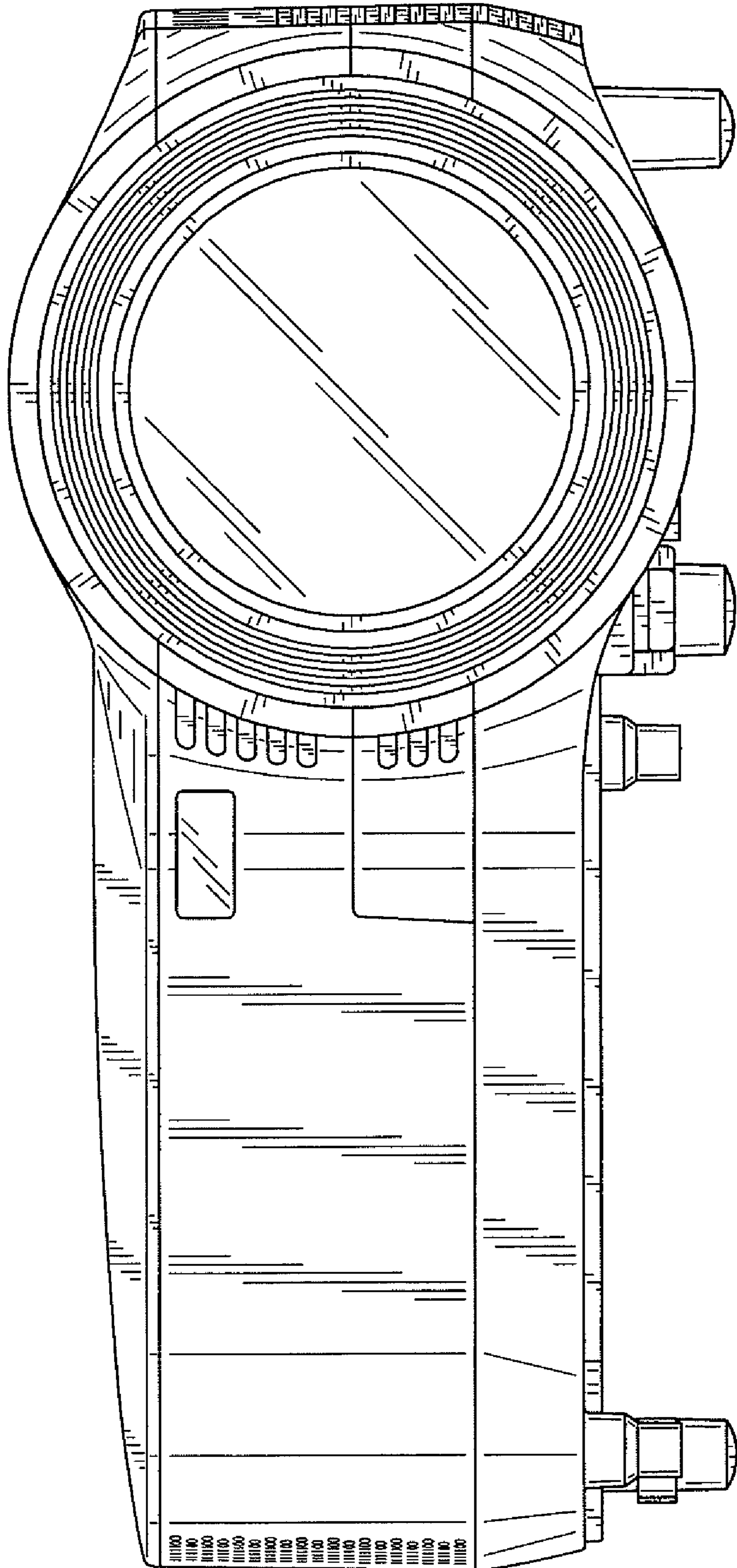


FIG. 2

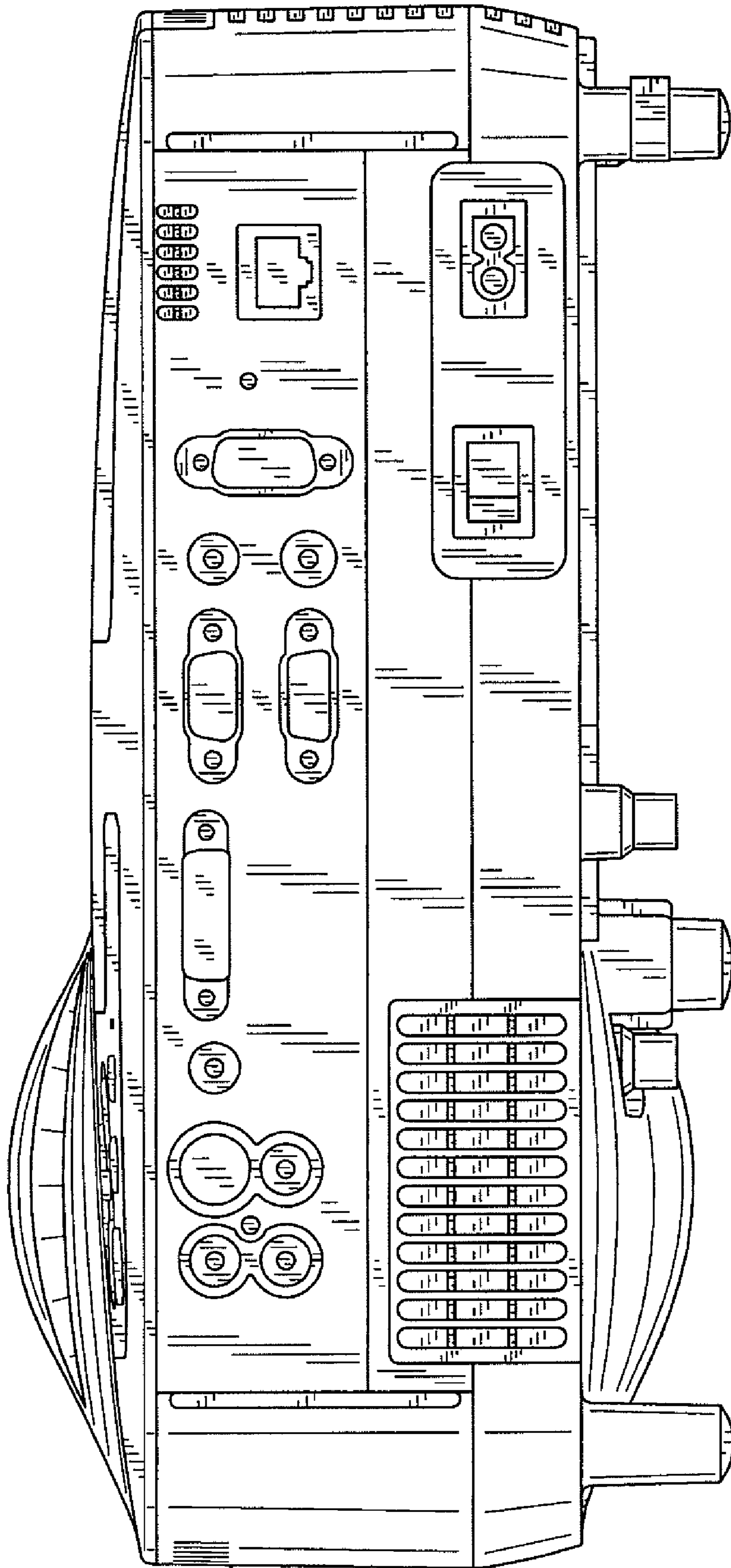


FIG. 3

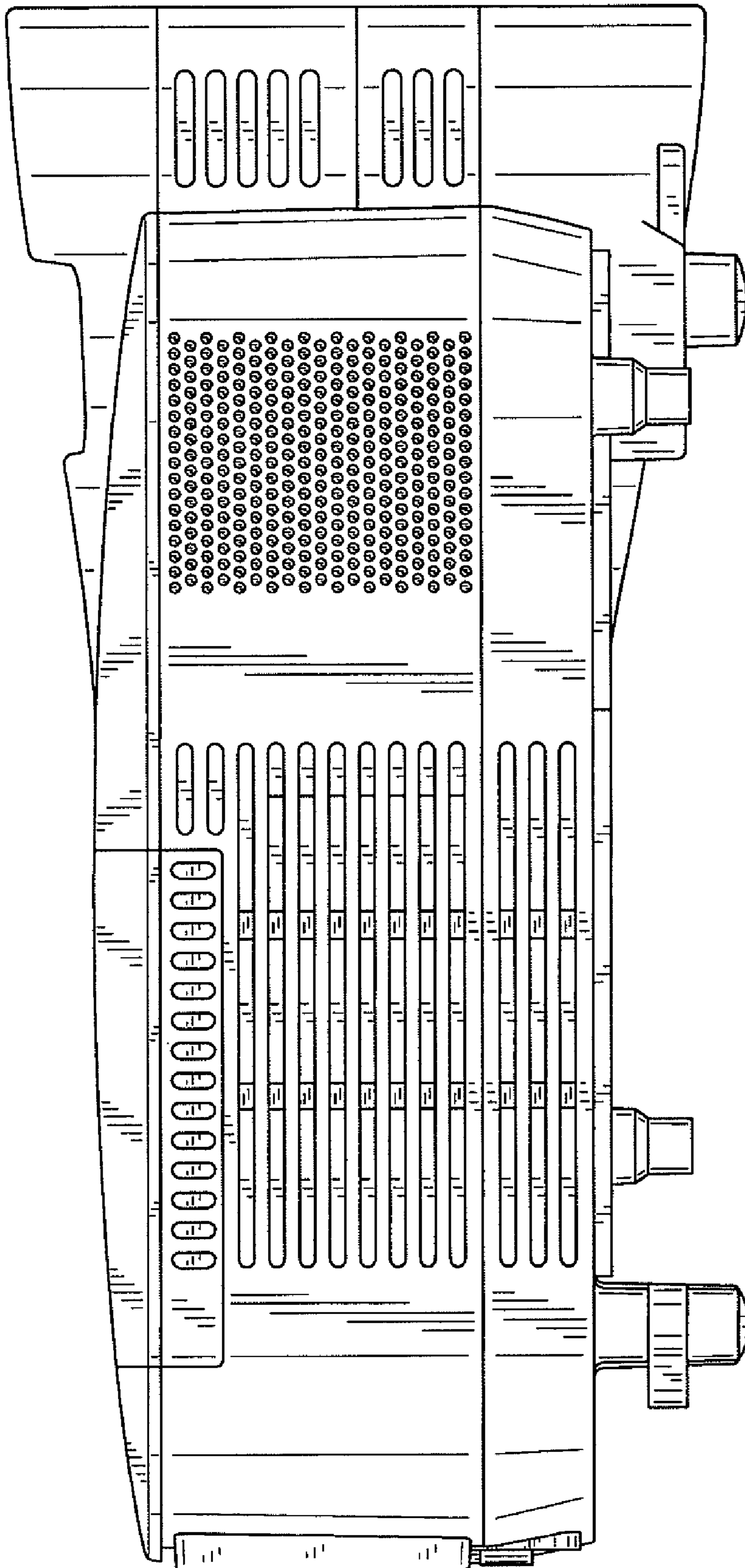


FIG. 4

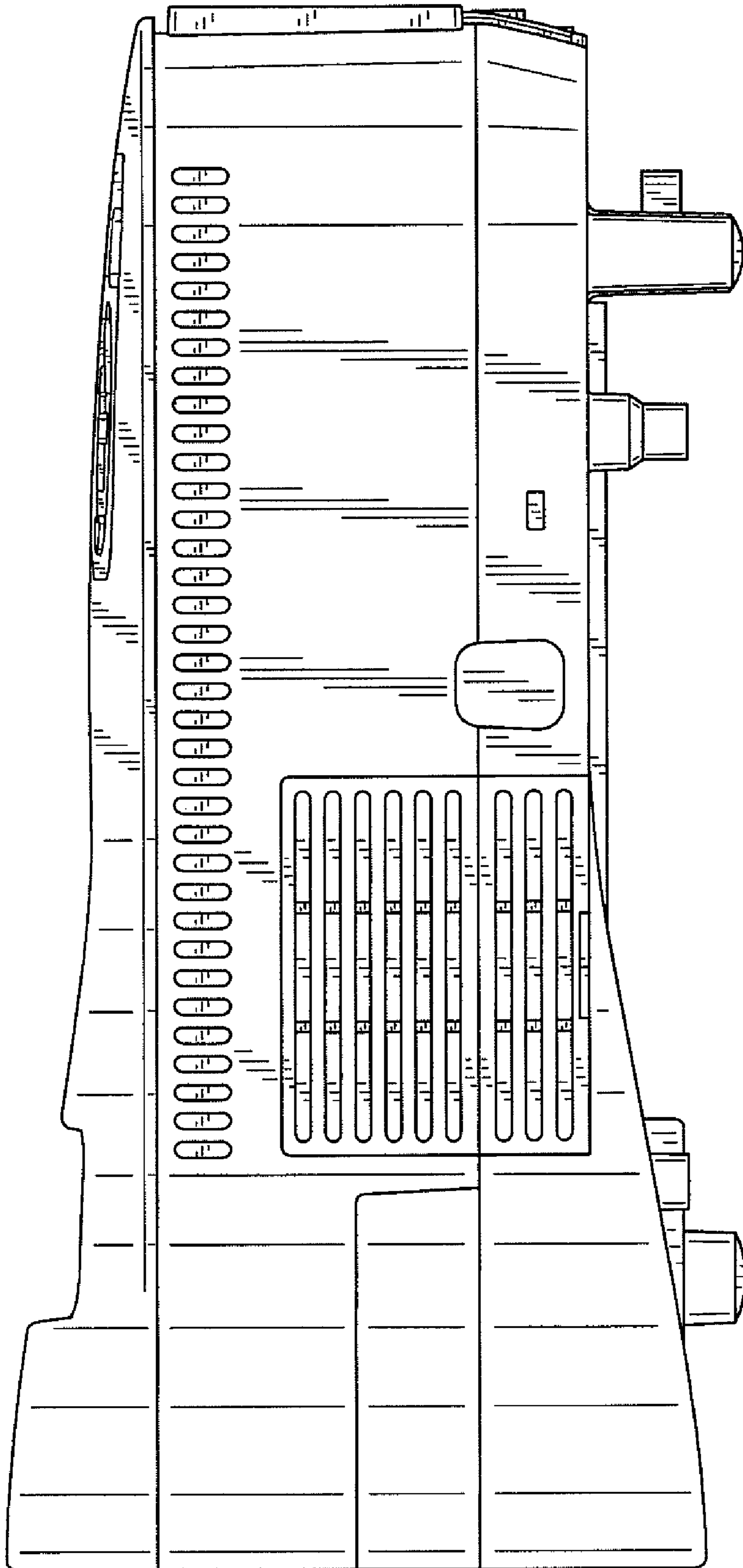


FIG. 5

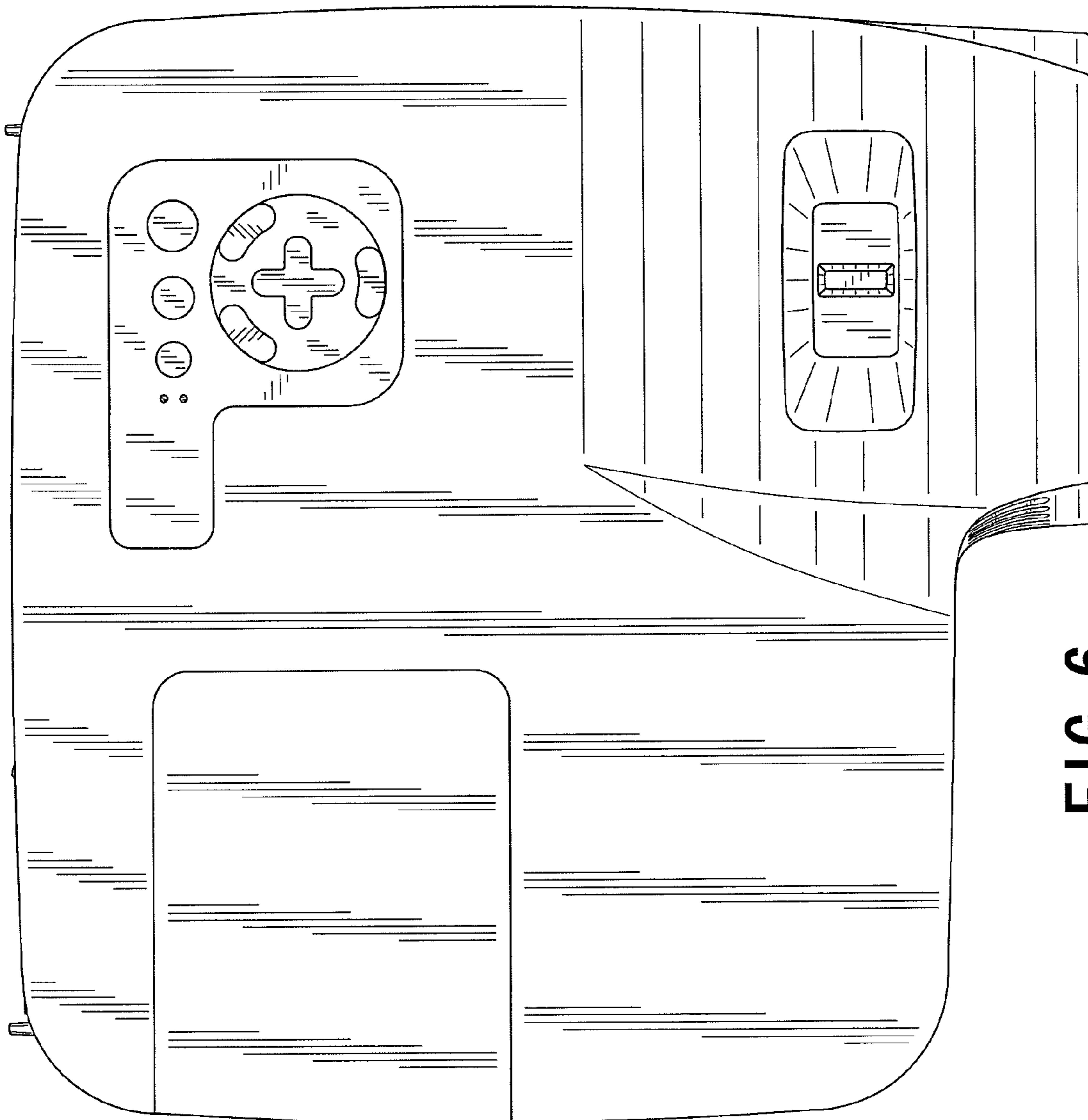


FIG. 6

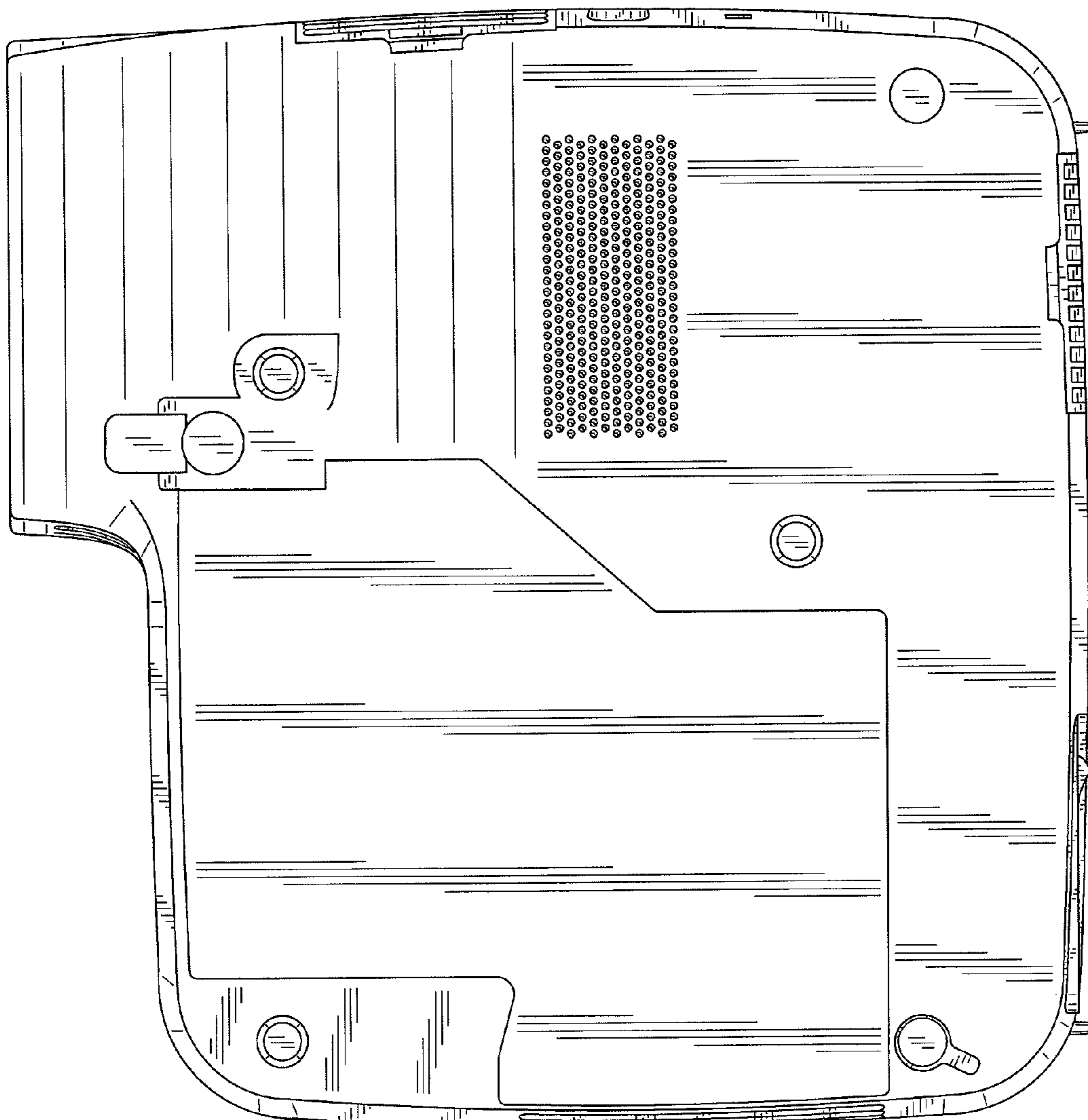


FIG. 7