



US00D618717S

(12) **United States Design Patent**  
**Frank et al.**

(10) **Patent No.:** **US D618,717 S**  
(45) **Date of Patent:** **\*\* Jun. 29, 2010**

(54) **CAMERA**

(75) Inventors: **Jeffrey D. Frank**, Santa Barbara, CA (US); **Marcel Tremblay**, Goleta, CA (US); **Anke Scheibhuber**, Cologne (DE); **Meng Xue**, Chiba (JP); **Jonathan Li**, Shanghai (CN); **Yaohua Li**, Shanghai (CN)

(73) Assignee: **Flir Systems, Inc.**, Wilsonville, OR (US)

(\*\*) Term: **14 Years**

(21) Appl. No.: **29/338,319**

(22) Filed: **Jun. 9, 2009**

(51) **LOC (9) Cl.** ..... **16-01**

(52) **U.S. Cl.** ..... **D16/203**

(58) **Field of Classification Search** ..... D16/200–205,  
D16/208, 218; 206/316.2; 348/373–376;  
358/906; 396/535–541

See application file for complete search history.

(56) **References Cited**

**U.S. PATENT DOCUMENTS**

4,394,692 A \* 7/1983 Randmae et al. .... 348/374  
D307,915 S \* 5/1990 Kuester, III ..... D16/203  
5,337,891 A \* 8/1994 Toth ..... 206/316.2  
6,683,654 B1 \* 1/2004 Haijima ..... 348/374

6,728,480 B1 \* 4/2004 Maeda et al. .... 396/25  
D529,063 S \* 9/2006 Cheng ..... D16/203  
D540,360 S \* 4/2007 Yamakawa ..... D16/203  
7,221,402 B2 \* 5/2007 Cheng ..... 348/375  
D584,755 S \* 1/2009 Eriksson ..... D16/202  
2008/0111914 A1 \* 5/2008 Takahashi et al. .... 348/373

\* cited by examiner

*Primary Examiner*—Adir Aronovich

(74) *Attorney, Agent, or Firm*—Haynes and Boone, LLP

(57) **CLAIM**

The ornamental design for a camera, as shown and described.

**DESCRIPTION**

FIG. 1 is a front, top, and left side perspective view of a camera embodying our new design;

FIG. 2 is a bottom plan view thereof;

FIG. 3 is a top plan view thereof;

FIG. 4 is a left side elevational view thereof;

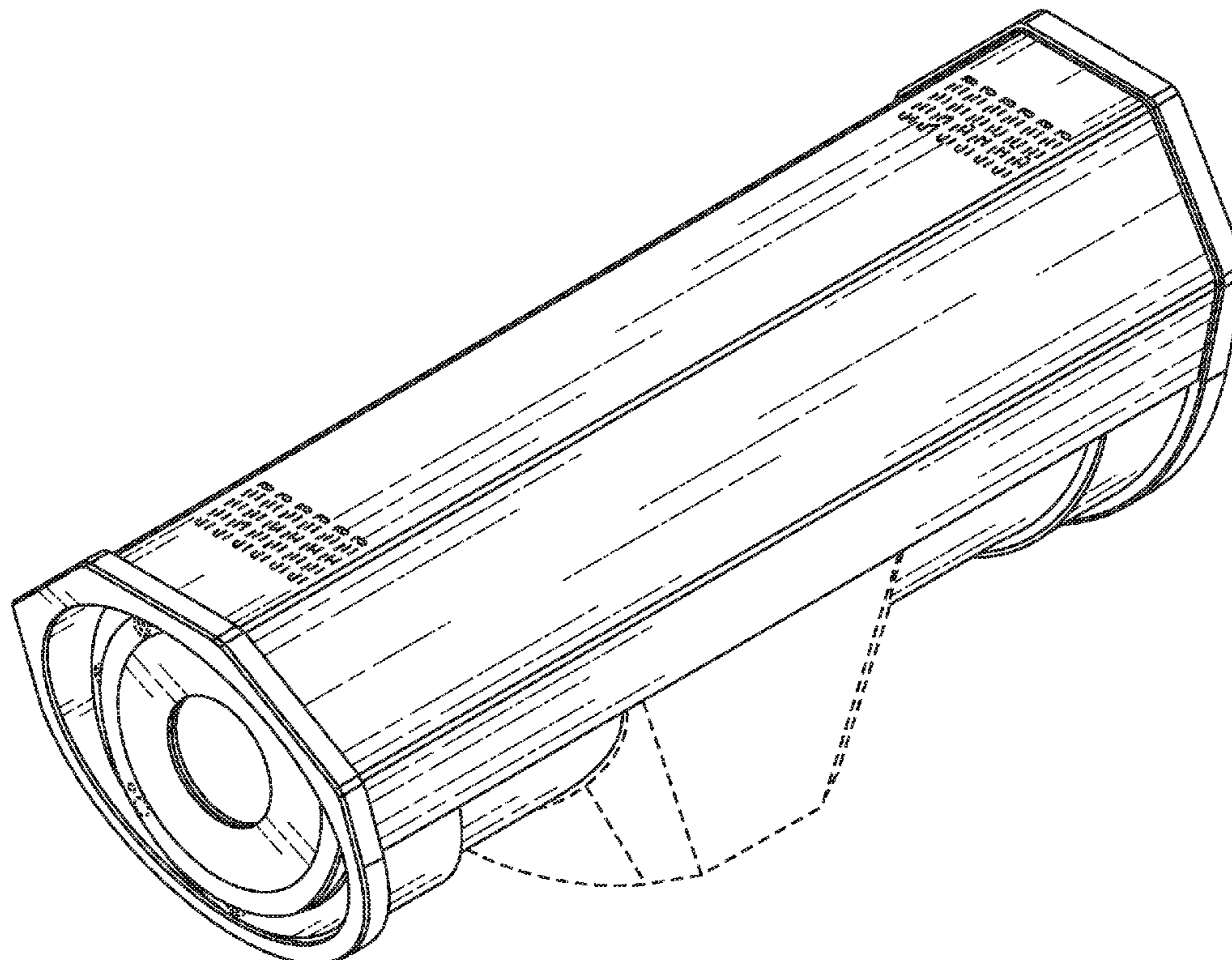
FIG. 5 is a right side elevational view thereof;

FIG. 6 is a front elevational view thereof; and,

FIG. 7 is a back elevational view thereof.

The areas in broken lines are for illustrative purposes only and form no part of the claimed design.

**1 Claim, 6 Drawing Sheets**



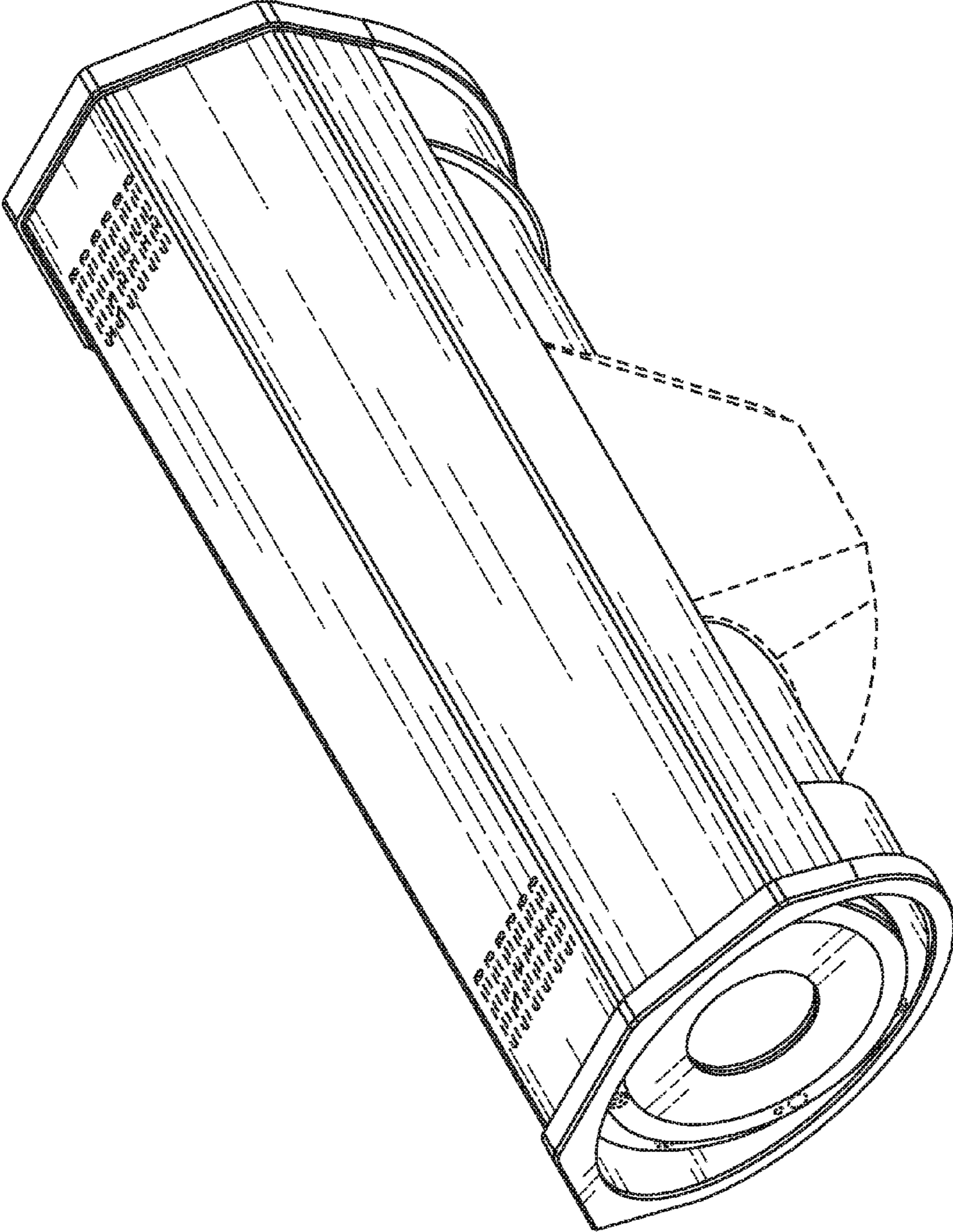


FIG. 1

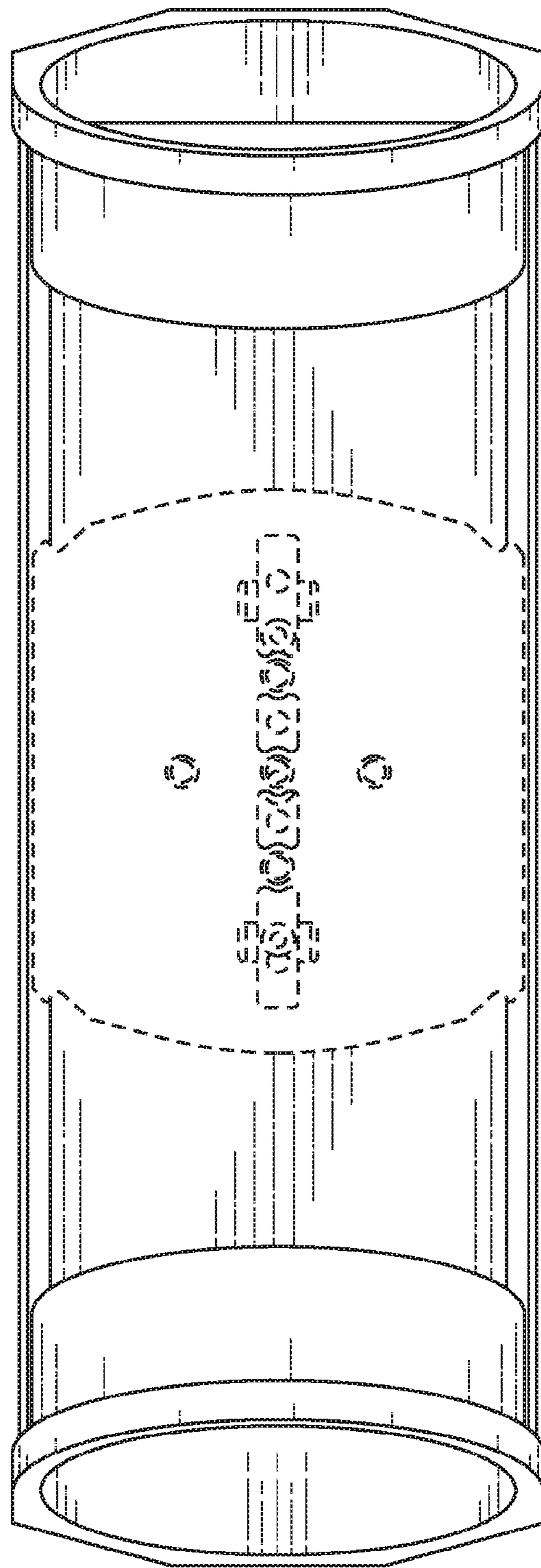


FIG. 2

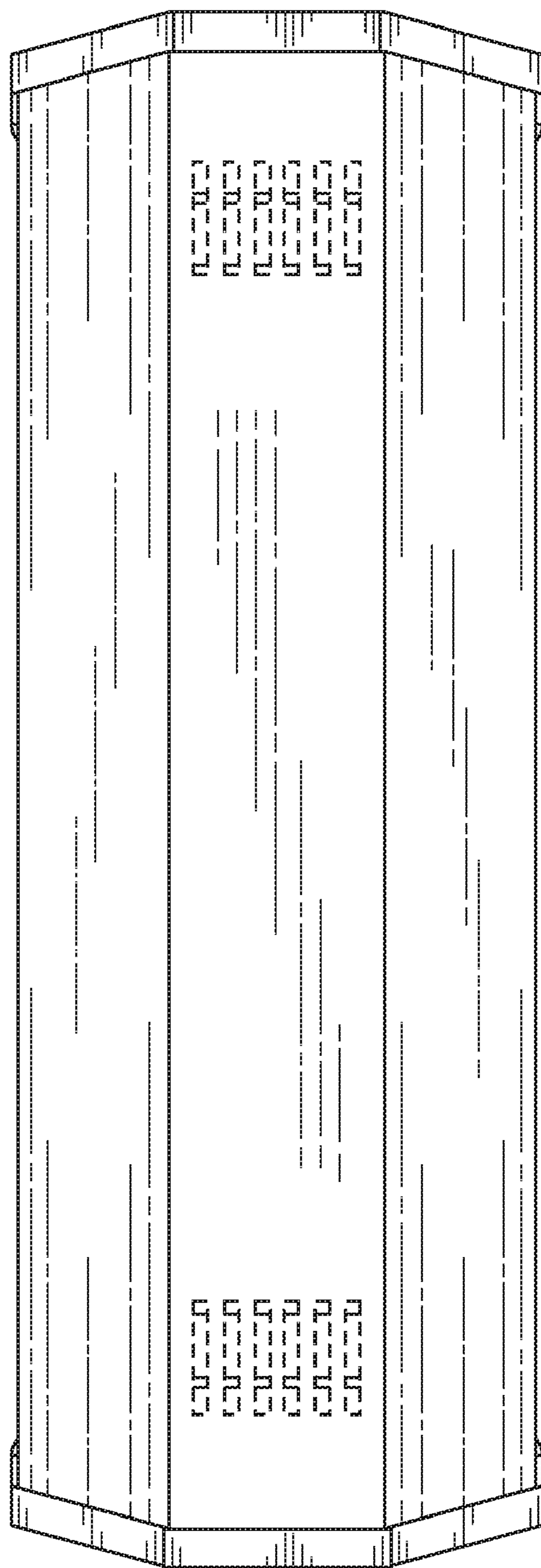


FIG. 3

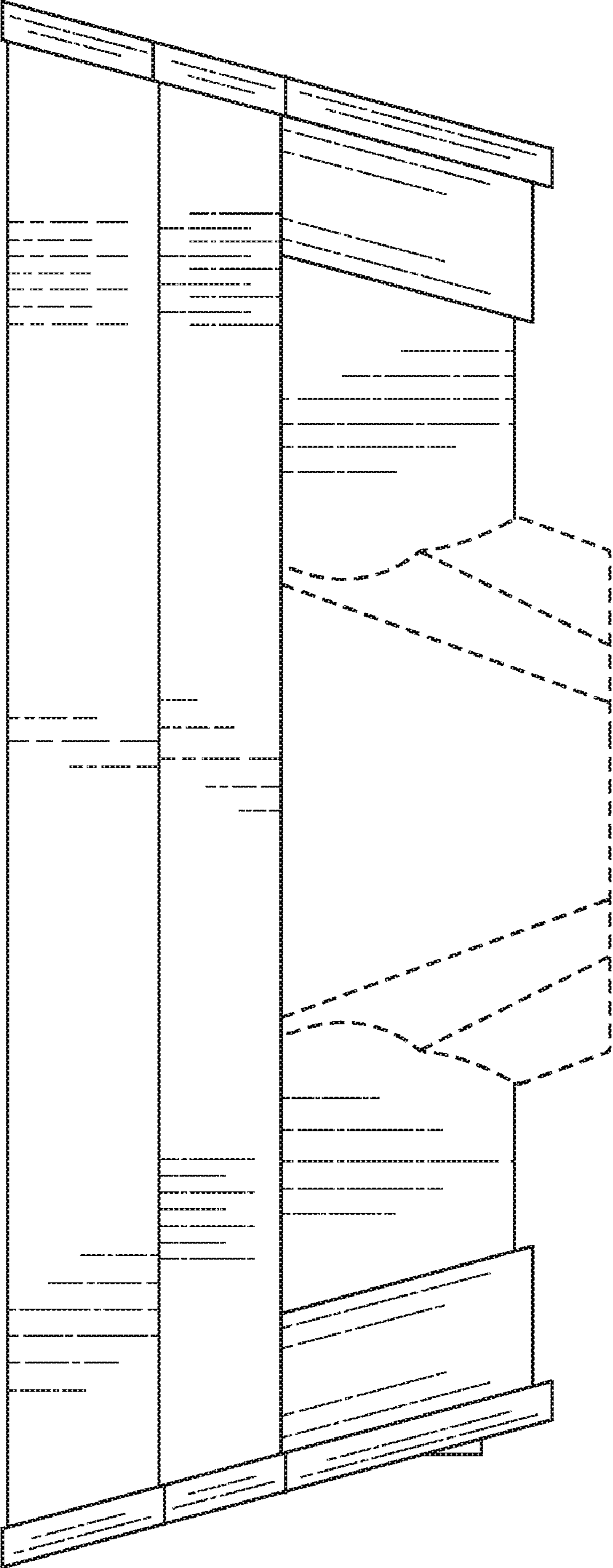


FIG. 4

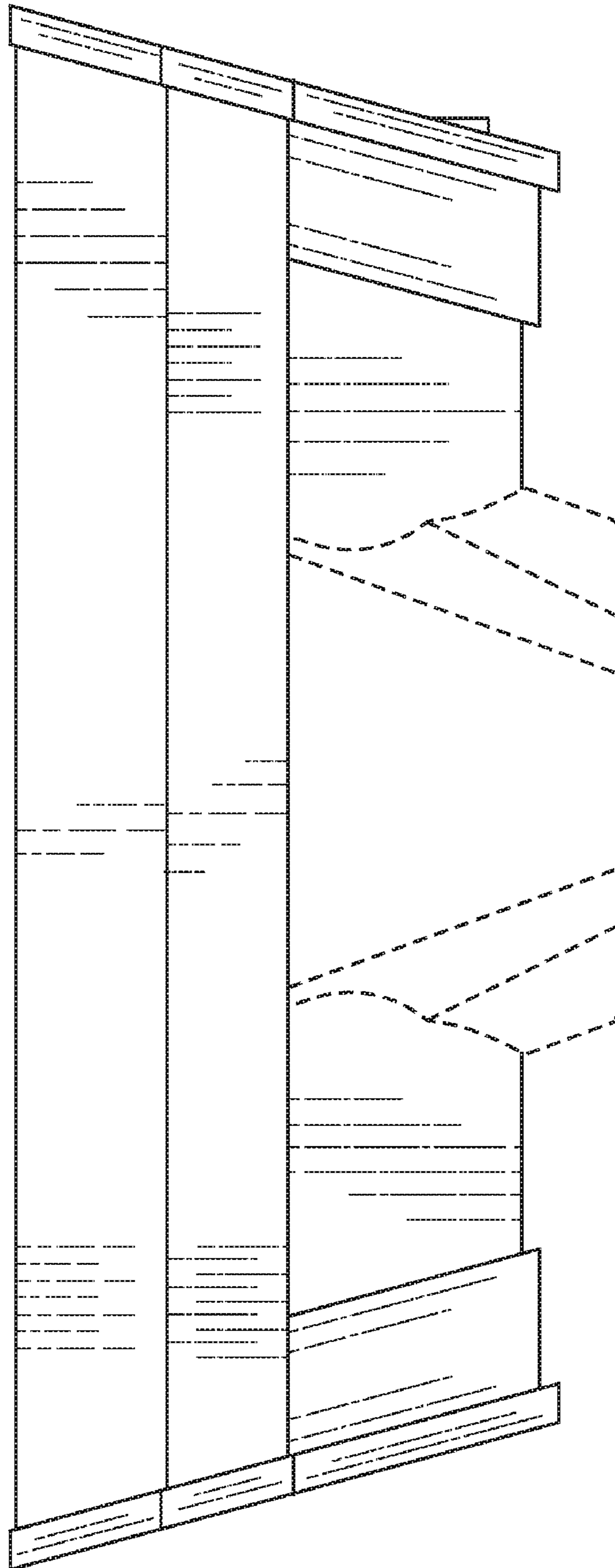


FIG. 5

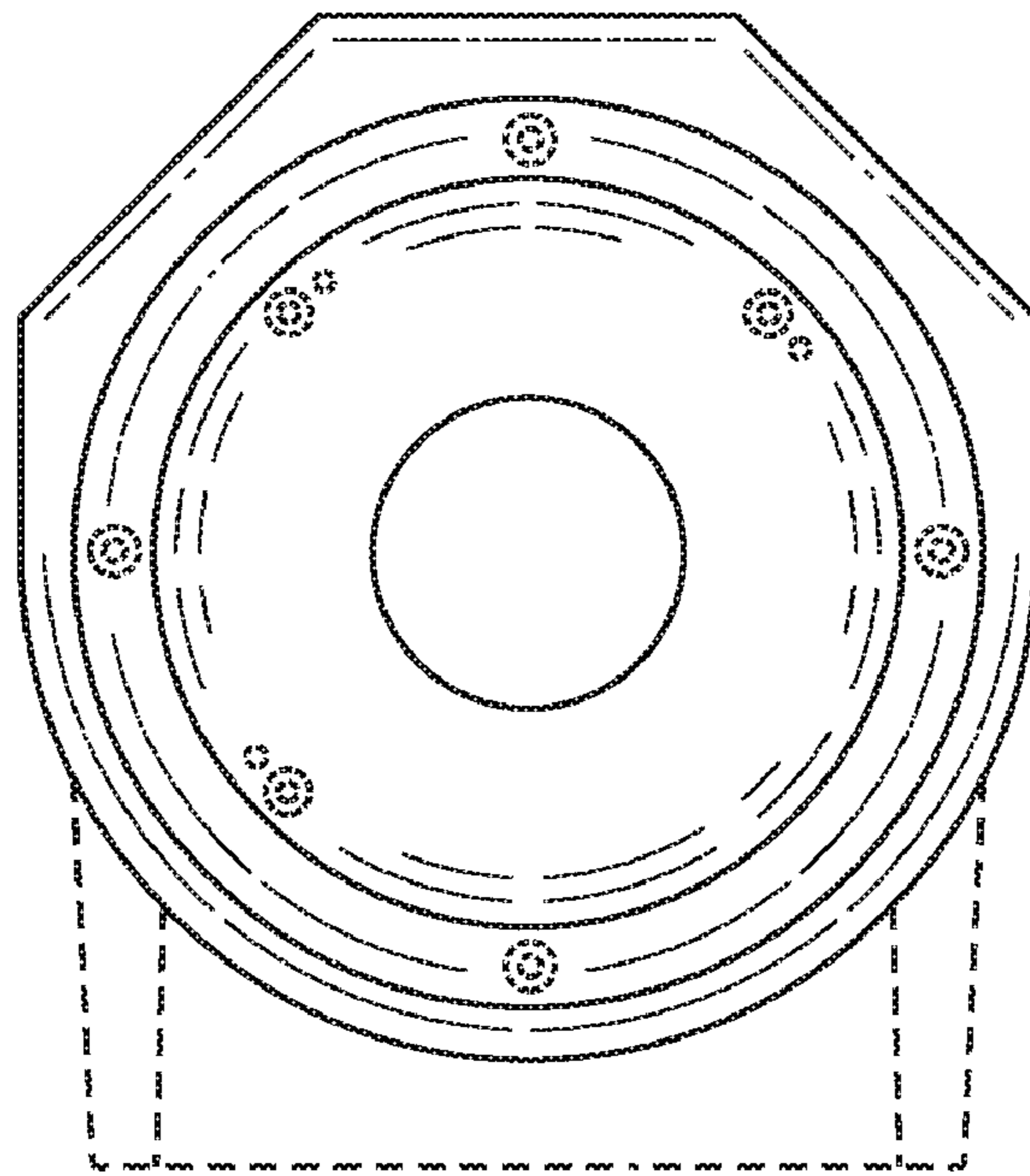


FIG. 6

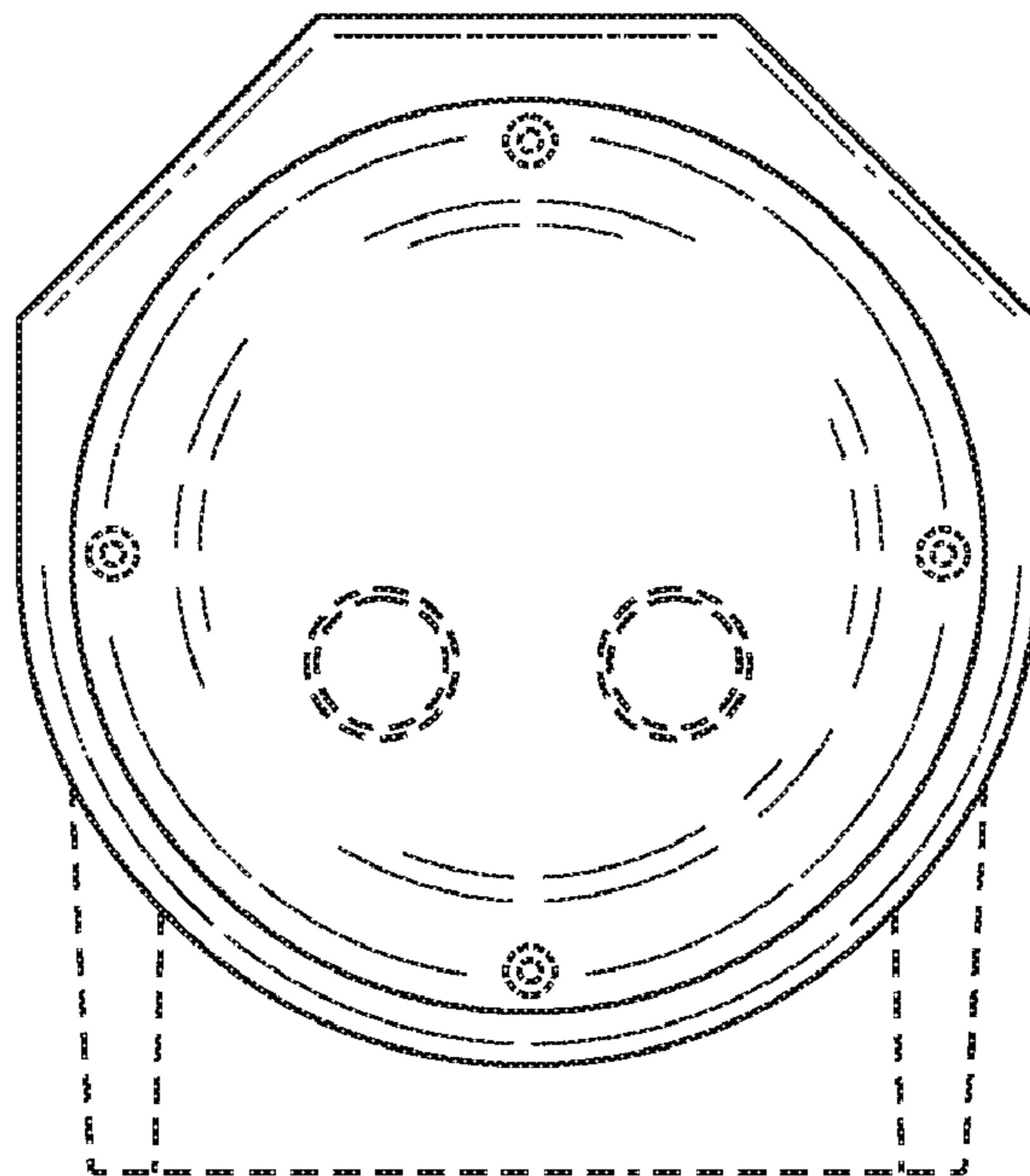


FIG. 7