



US00D618716S

(12) **United States Design Patent**
Huang

(10) **Patent No.:** **US D618,716 S**

(45) **Date of Patent:** **** Jun. 29, 2010**

(54) **SEALING MACHINE**

D536,355 S * 2/2007 Levsen et al. D15/146
D597,572 S * 8/2009 Tsai D15/146

(76) Inventor: **Mao-Sen Huang**, No. 242-2, Donglan St., Dongshi Township, Taichung County 423 (TW)

* cited by examiner

(**) Term: **14 Years**

Primary Examiner—Sandra Snapp
Assistant Examiner—Patricia Palasik
(74) *Attorney, Agent, or Firm*—Banger Shia

(21) Appl. No.: **29/353,765**

(57) **CLAIM**

(22) Filed: **Jan. 13, 2010**

I claim the ornamental design for a sealing machine, as shown and described.

(51) **LOC (9) Cl.** **15-99**

(52) **U.S. Cl.** **D15/146**

(58) **Field of Classification Search** D8/49,
D8/50, 105; D15/144, 145, 146; 53/373,
53/374.8, 374.9, 390, 405, 432-434, 510-512,
53/DIG. 2; 156/497, 515, 583.1-583.91;
219/227, 229, 230, 233, 240, 243
See application file for complete search history.

DESCRIPTION

FIG. 1 is a perspective view of a sealing machine, showing my new design;

FIG. 2 is a front elevational view thereof;

FIG. 3 is a rear elevational view thereof;

FIG. 4 is a left side elevational view thereof;

FIG. 5 is a right side elevational view thereof;

FIG. 6 is a top plan view thereof; and

FIG. 7 is a bottom plan view thereof; and,

FIG. 8 is a perspective view showing the claimed design in an open position.

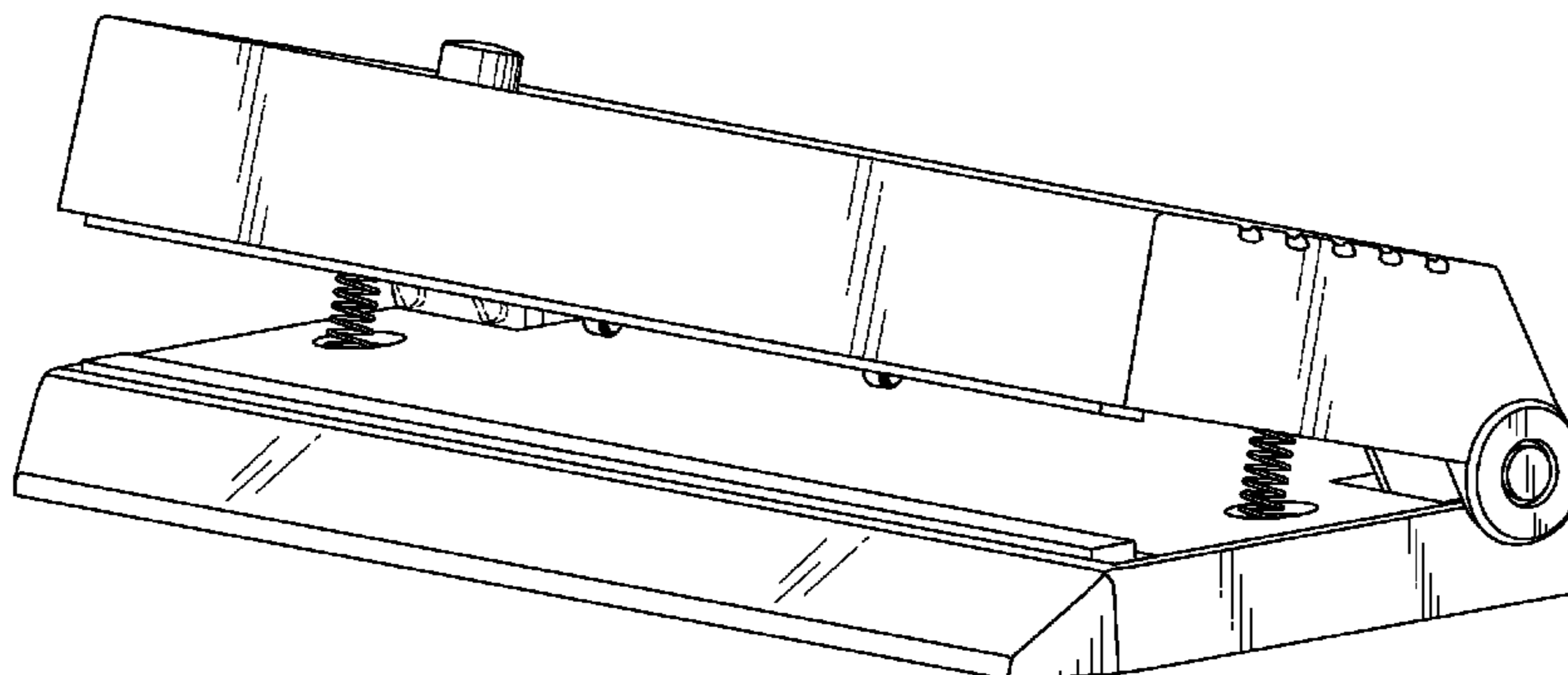
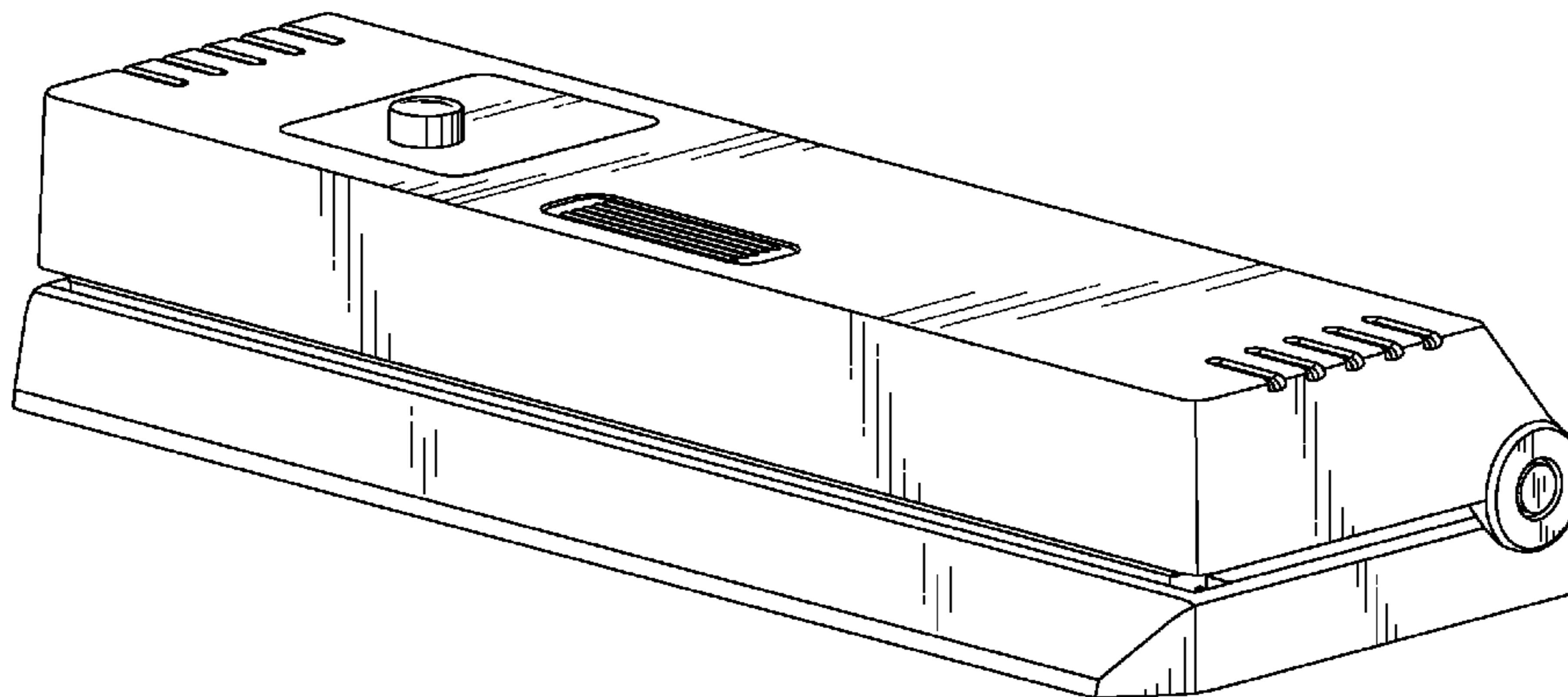
The broken lines in the drawings depict unclaimed environmental subject matter.

(56) **References Cited**

U.S. PATENT DOCUMENTS

D233,066 S * 10/1974 Bair D15/146
3,847,712 A * 11/1974 Hubbard 156/515
D249,526 S * 9/1978 Kishida D15/146
D301,238 S * 5/1989 Makihara D15/146
D342,532 S * 12/1993 Deni D15/146
5,352,323 A * 10/1994 Chi 156/583.9
D436,970 S * 1/2001 Choi D15/136
D515,601 S * 2/2006 Sholzberg et al. D15/146

1 Claim, 7 Drawing Sheets



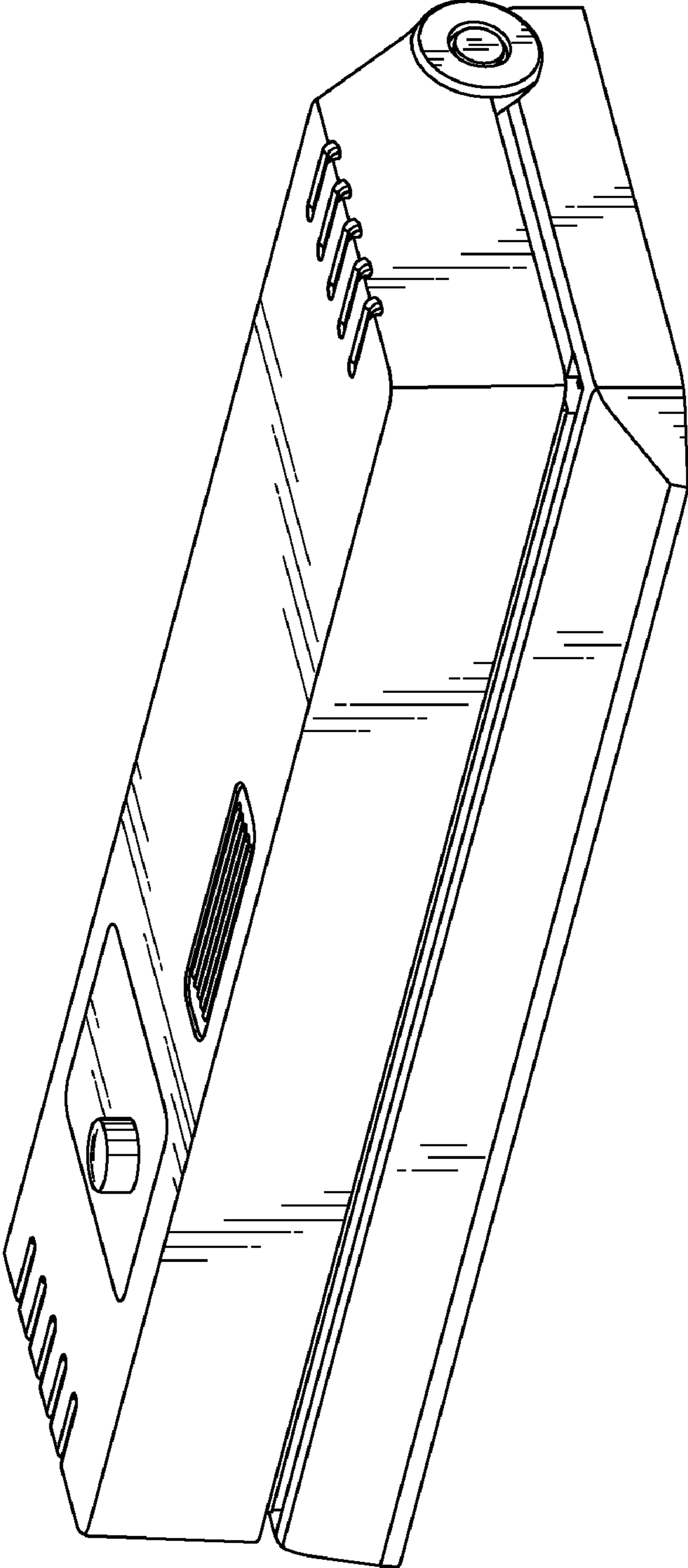


FIG. 1

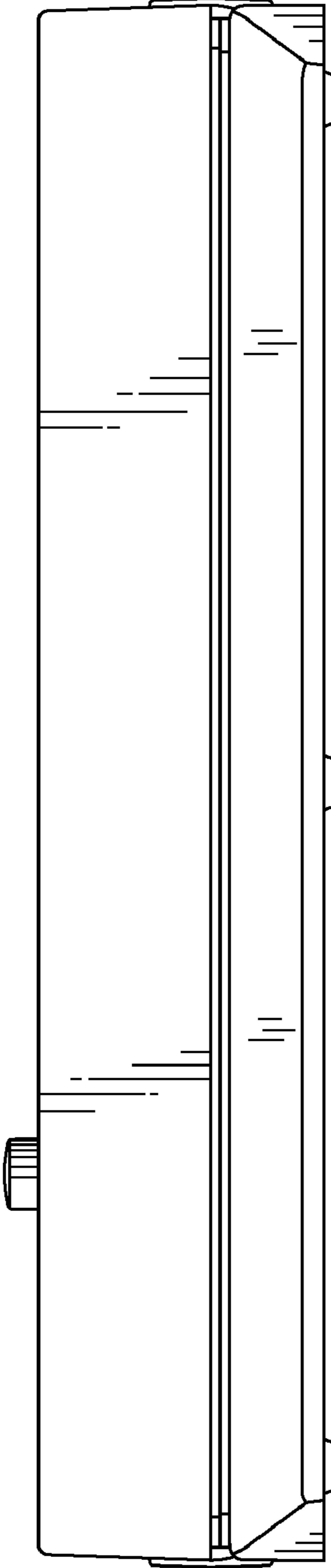


FIG. 2

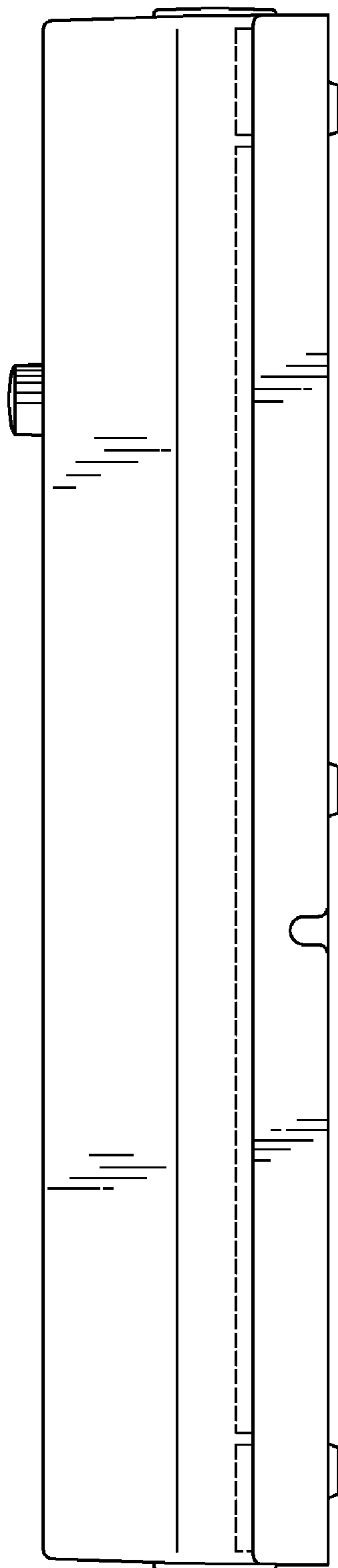


FIG. 3

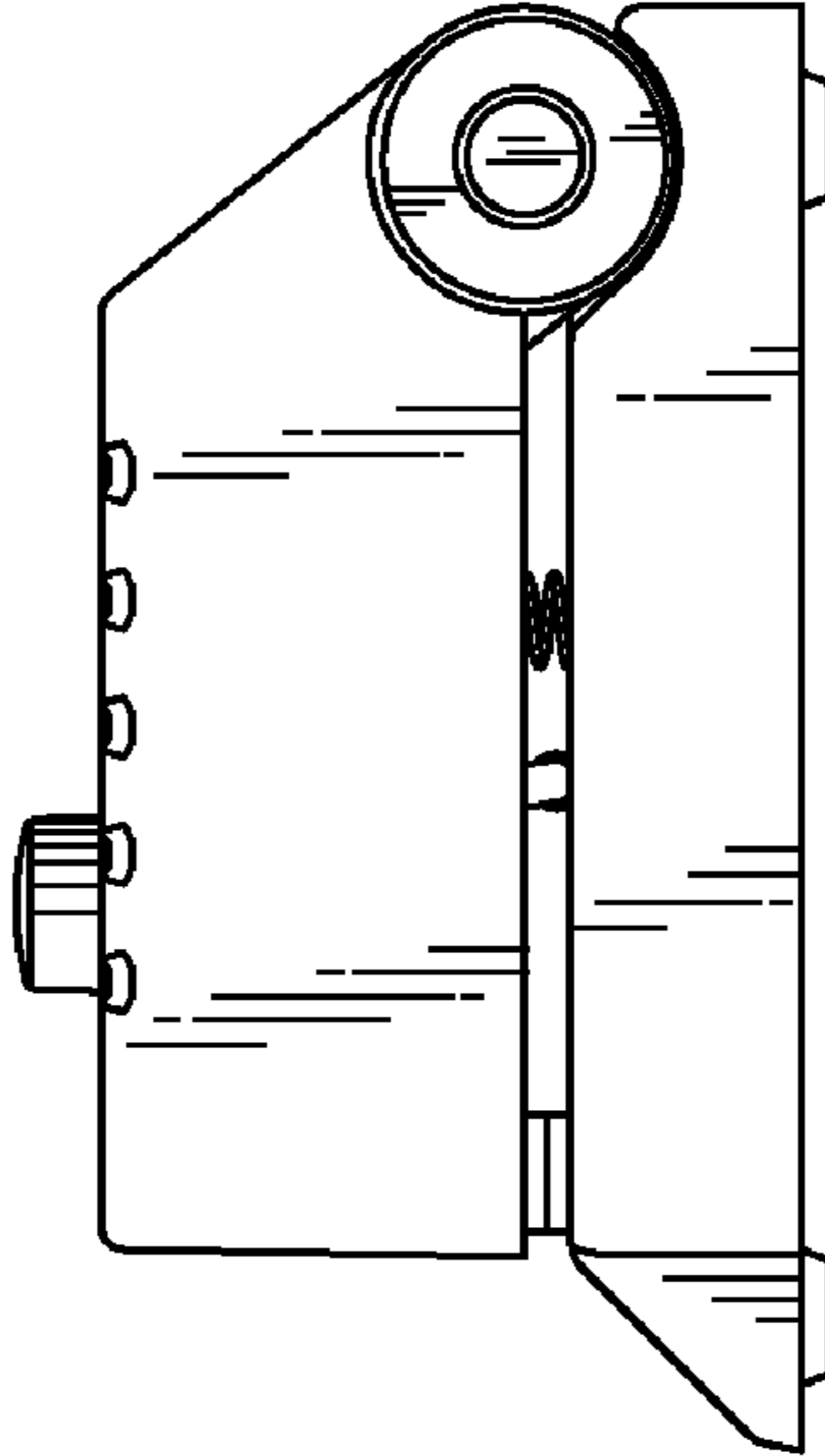


FIG. 5

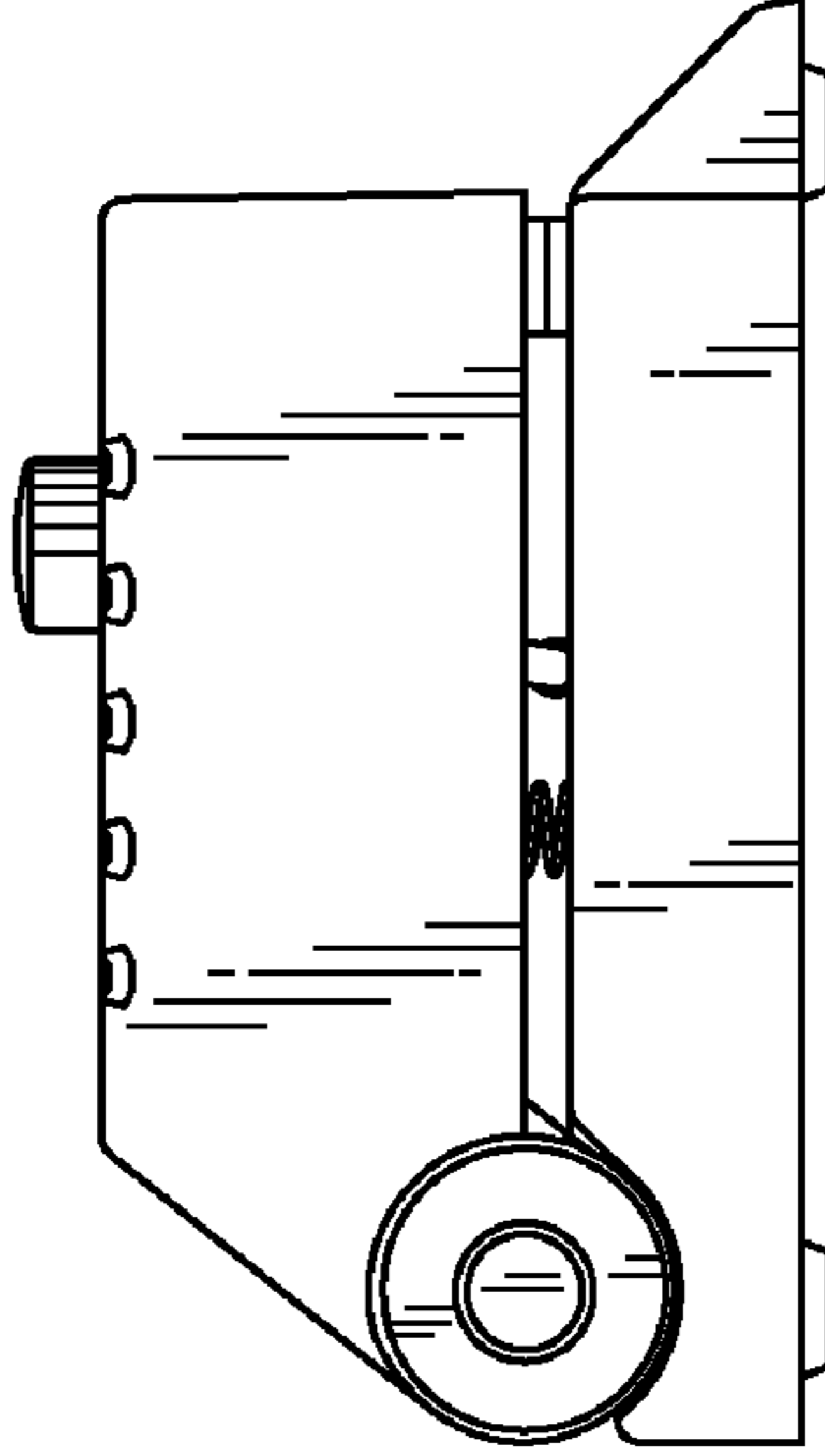


FIG. 4

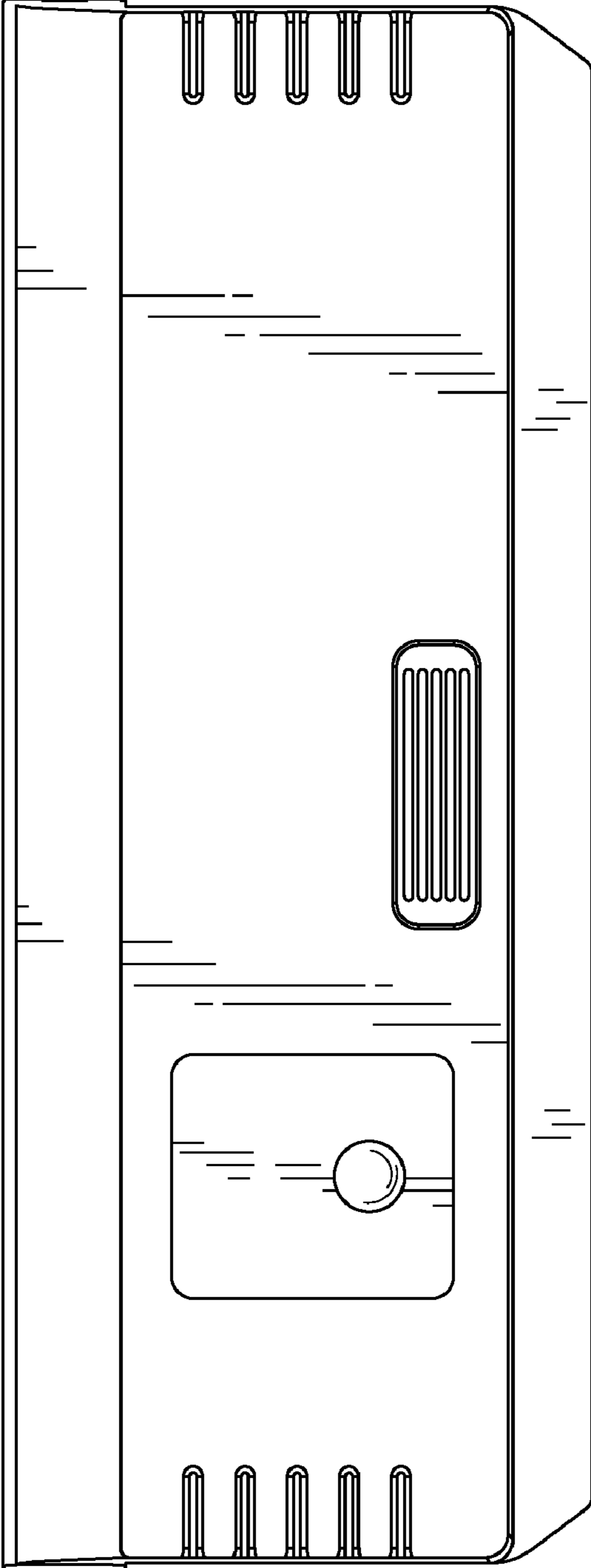


FIG. 6

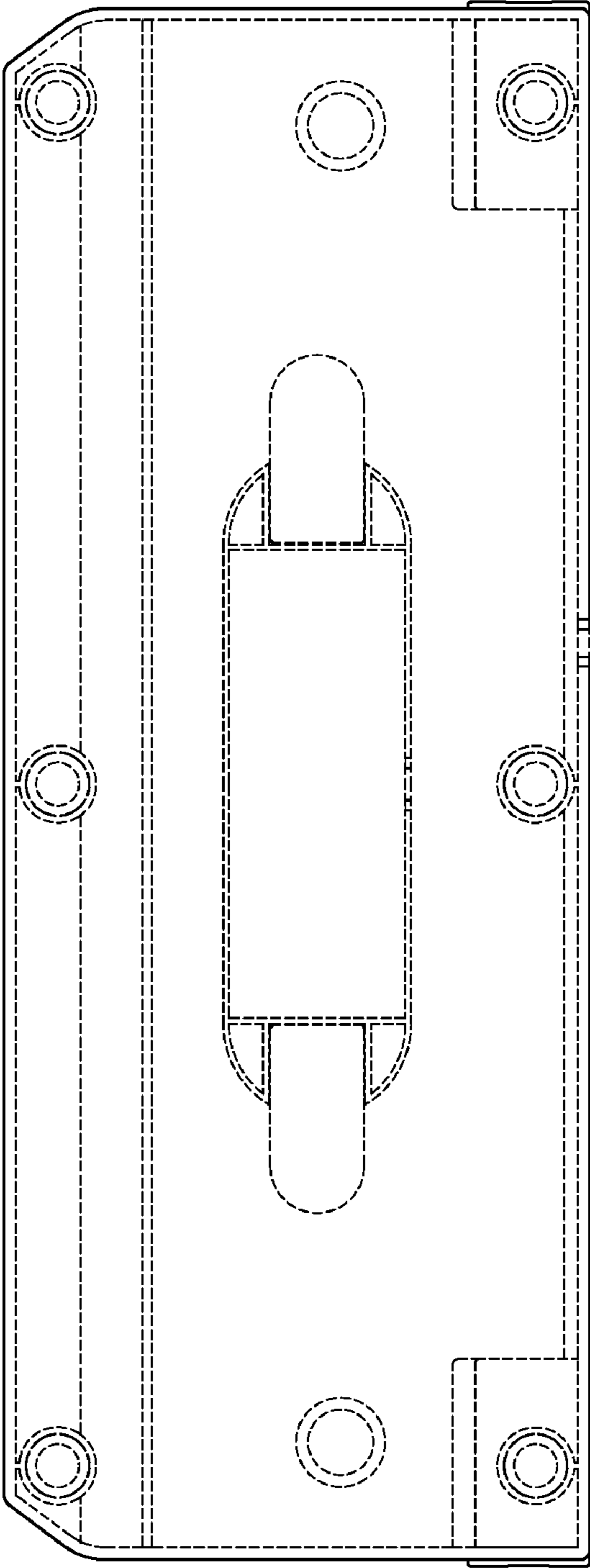


FIG. 7

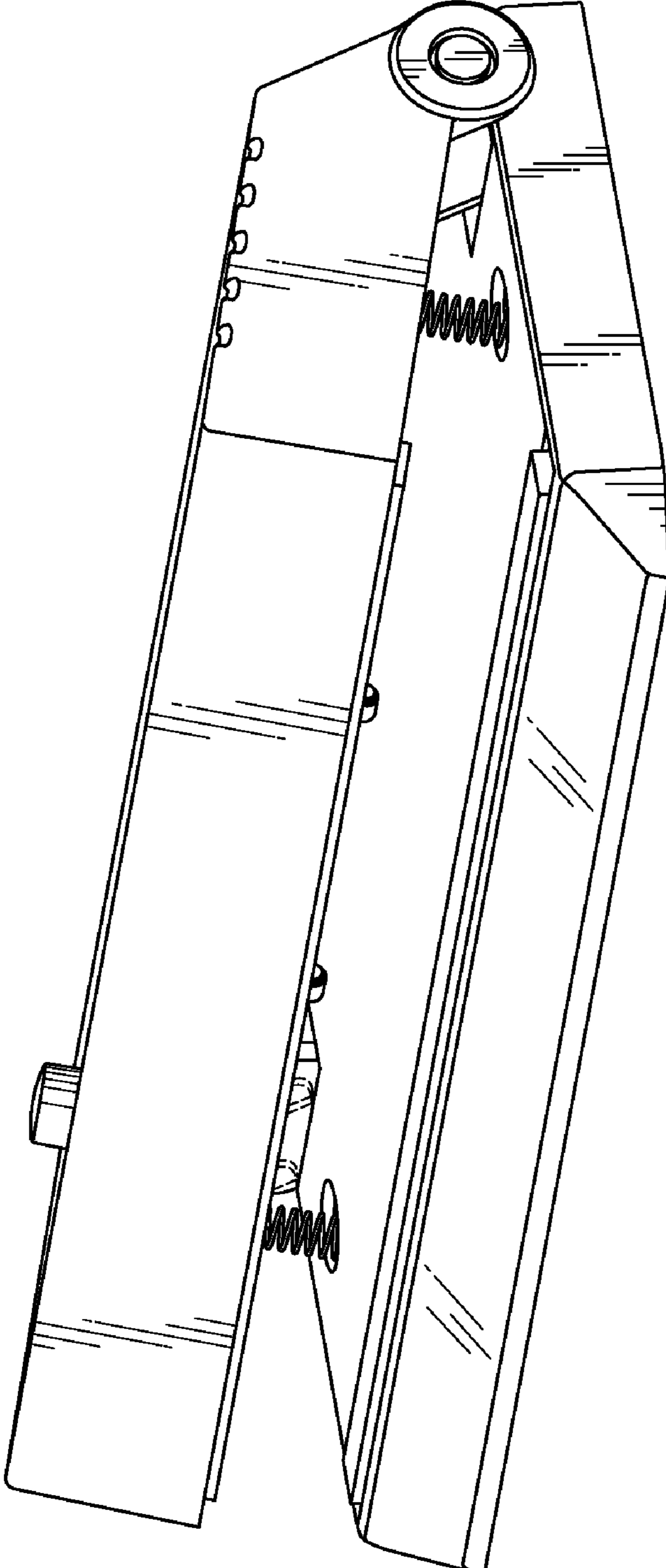


FIG. 8