



US00D618715S

(12) **United States Design Patent**  
**Corcoran**

(10) **Patent No.:** **US D618,715 S**  
(45) **Date of Patent:** **\*\* Jun. 29, 2010**

(54) **BLADE HOLDER FOR AN ELECTRONIC MEDIA CUTTER**

(75) Inventor: **Kevin L. Corcoran**, Mission Viejo, CA (US)

(73) Assignee: **Ellison Educational Equipment, Inc.**, Lake Forest, CA (US)

(\*\*) Term: **14 Years**

(21) Appl. No.: **29/348,163**

(22) Filed: **Dec. 4, 2009**

(51) **LOC (9) Cl.** ..... **15-09**

(52) **U.S. Cl.** ..... **D15/140**

(58) **Field of Classification Search** ..... D8/70;  
D15/138, 139, 140; 30/329-339; 83/13,  
83/162, 284, 698.91, 700, 856, 915.5; 408/42,  
408/53, 79, 112

See application file for complete search history.

(56) **References Cited**

**U.S. PATENT DOCUMENTS**

2,953,175	A *	9/1960	Robinson, Jr. et al.	.....	30/519
4,299,402	A *	11/1981	Hoffman	.....	279/75
4,472,989	A *	9/1984	Endo	.....	83/162
4,777,725	A *	10/1988	Hirsch	.....	30/331
5,217,331	A *	6/1993	Ericksen	.....	408/42
D378,314	S *	3/1997	Koros et al.	.....	D24/155

D387,073	S *	12/1997	Mori	.....	D15/140
6,056,111	A *	5/2000	Stoll et al.	.....	198/497
6,620,083	B2 *	9/2003	Ninomiya et al.	.....	483/65
D484,977	S *	1/2004	Ryan et al.	.....	D24/146
7,000,523	B2 *	2/2006	Mori et al.	.....	83/698.91
2007/0006697	A1 *	1/2007	Ivel	.....	83/13
2008/0040933	A1 *	2/2008	Supe-Dienes et al.	.....	30/329

\* cited by examiner

*Primary Examiner*—Sandra Snapp

*Assistant Examiner*—Patricia Palasik

(74) *Attorney, Agent, or Firm*—Morland C. Fischer

(57) **CLAIM**

The ornamental design for a blade holder for an electronic media cutter, as shown and described.

**DESCRIPTION**

FIG. 1 is a front elevational view of a blade holder for an electronic media cutter which forms my new design;

FIG. 2 is a rear elevational view thereof;

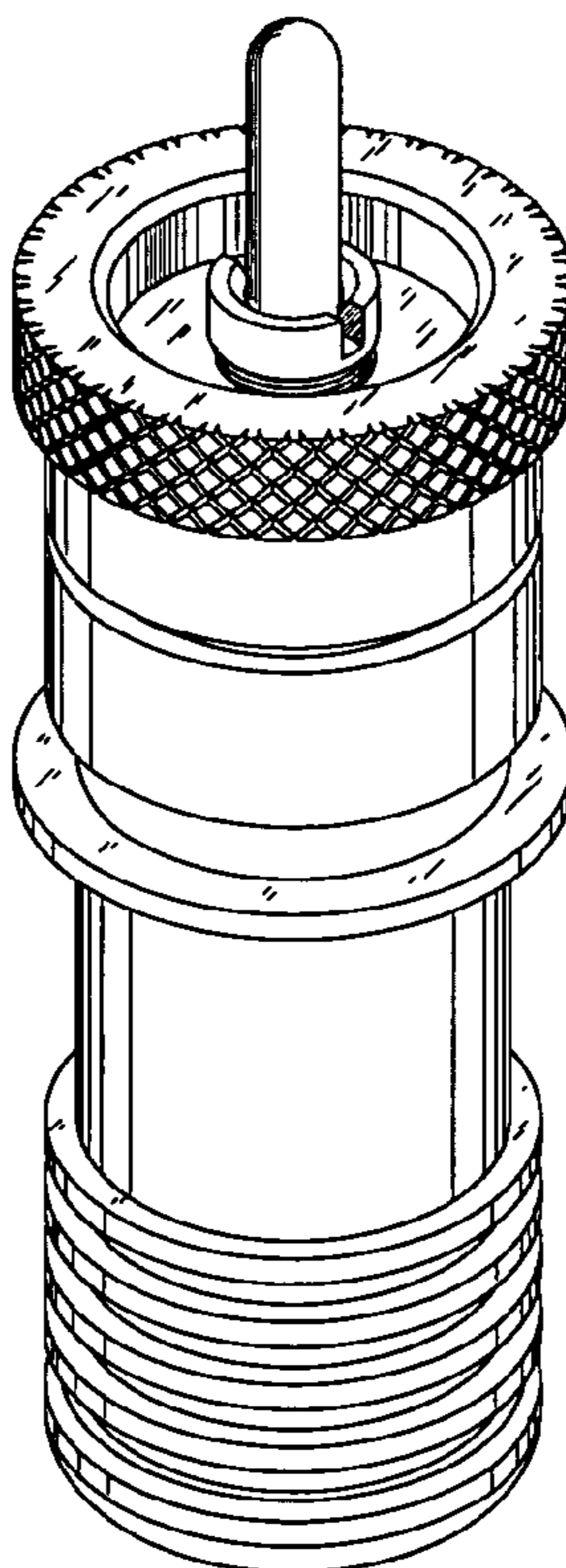
FIG. 3 is a bottom plan view thereof;

FIG. 4 is a top plan view thereof; and,

FIG. 5 is a perspective view showing the front, top and left side thereof.

The broken lines in the drawings depict unclaimed environmental subject matter.

**1 Claim, 2 Drawing Sheets**



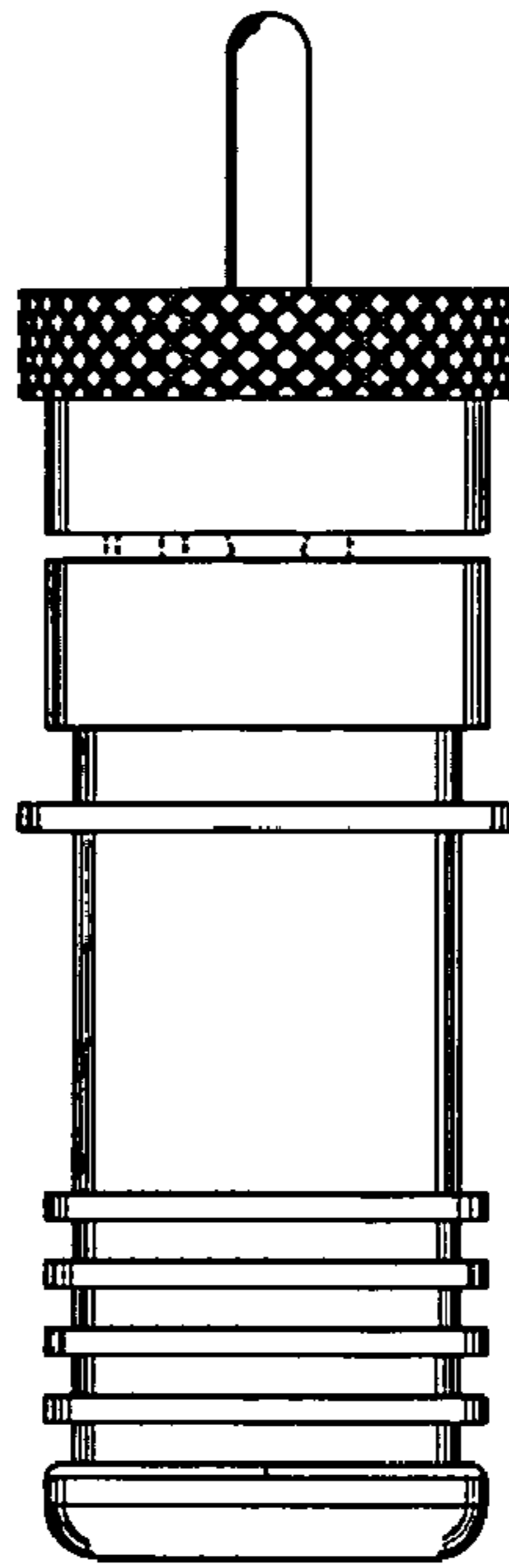


FIG 1

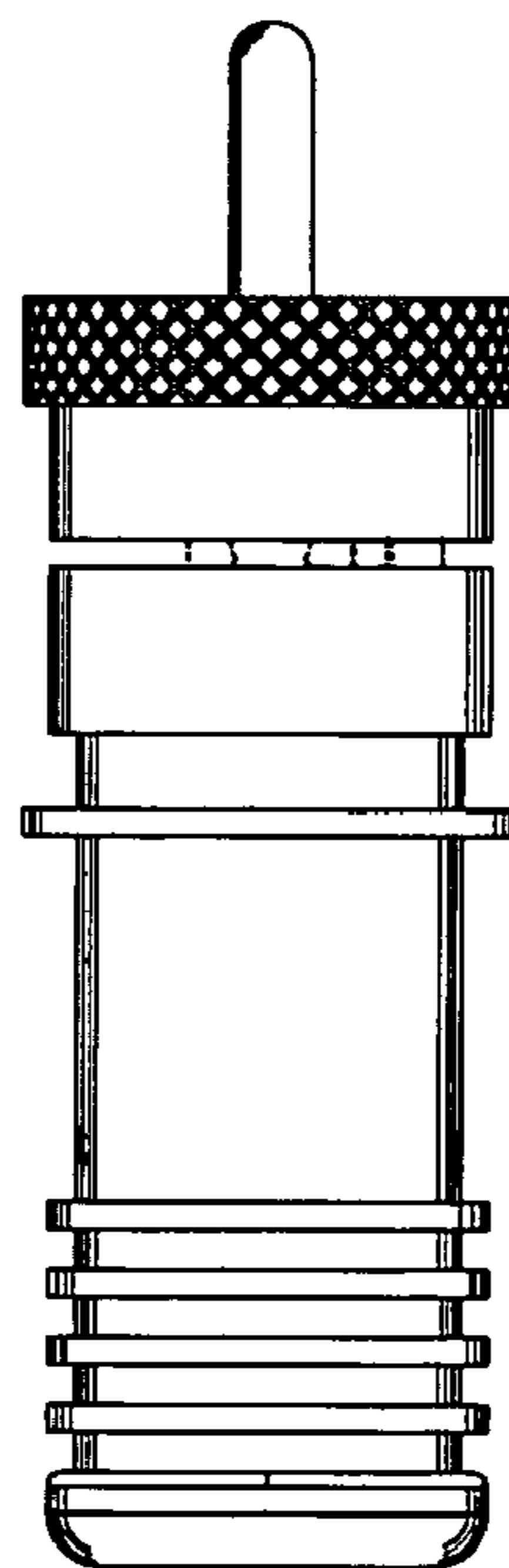


FIG 2

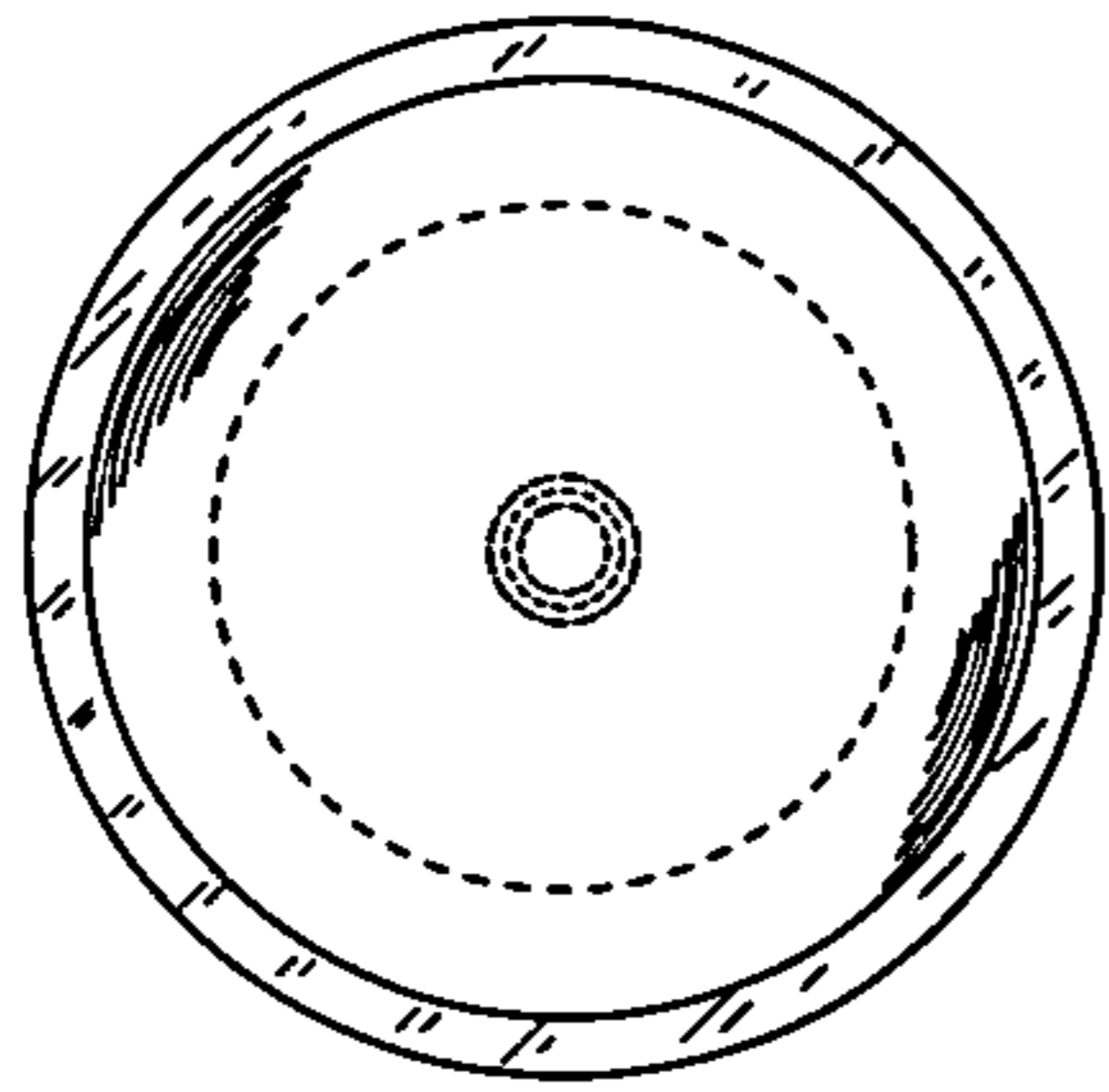


FIG 3

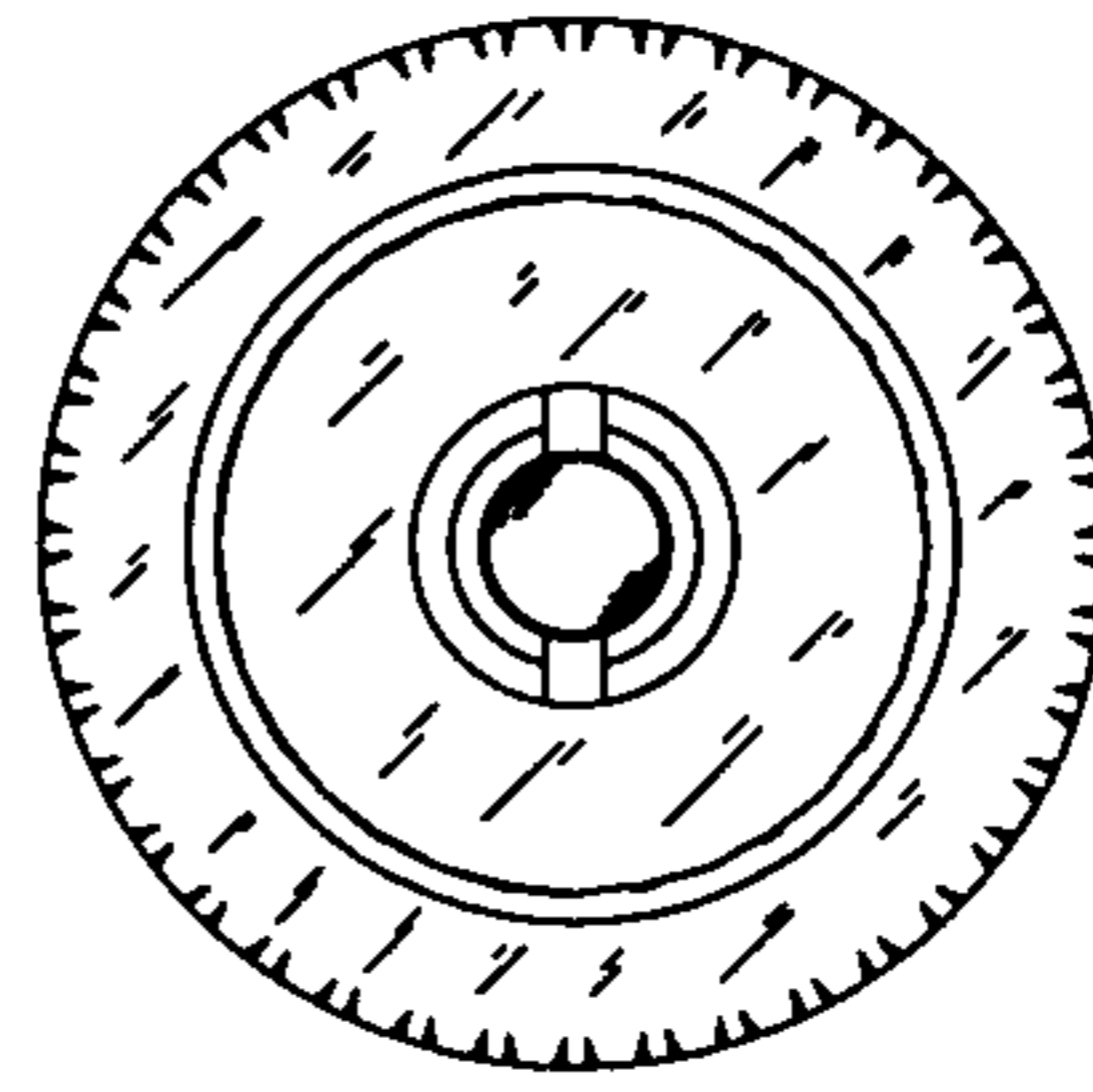


FIG 4

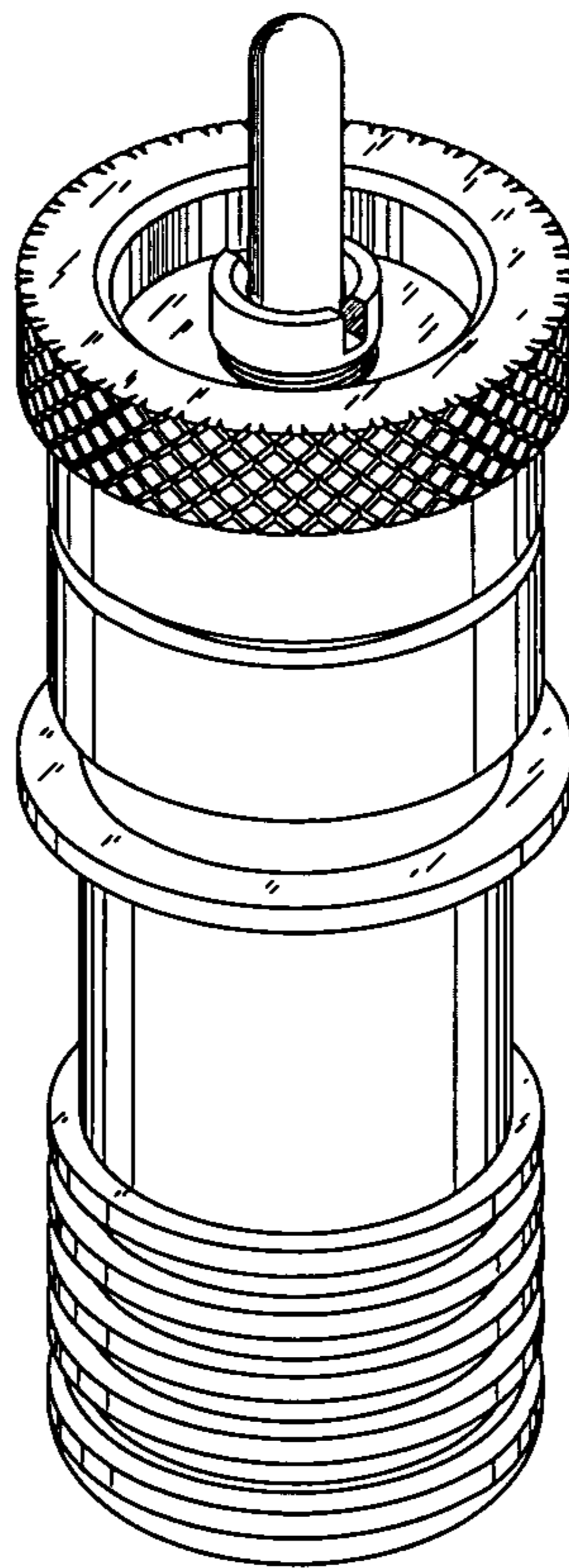


FIG 5