



US00D618714S

(12) **United States Design Patent**
Comas

(10) **Patent No.:** **US D618,714 S**
(45) **Date of Patent:** **** Jun. 29, 2010**

(54) **CERAMIC CUTTER**

(75) Inventor: **Josep Torrents I Comas, Rubi (ES)**

(73) Assignee: **Germans Boada, S.A. (ES)**

(**) Term: **14 Years**

(21) Appl. No.: **29/344,251**

(22) Filed: **Sep. 25, 2009**

(30) **Foreign Application Priority Data**

Mar. 25, 2009 (ES) 507543

(51) **LOC (9) Cl.** **15-09**

(52) **U.S. Cl.** **D15/127**

(58) **Field of Classification Search** D8/51,
D8/52, 98; D15/127; 83/614, 881, 886;
125/23.01, 23.02

See application file for complete search history.

(56) **References Cited**

U.S. PATENT DOCUMENTS

4,026,262	A *	5/1977	Yasuga	125/23.02
D331,762	S *	12/1992	Matt	D15/127
D434,782	S *	12/2000	Comas	D15/127
6,240,914	B1 *	6/2001	Yasuga	125/23.02
6,269,994	B1 *	8/2001	Harrington	225/96.5
D476,213	S *	6/2003	Hepworth	D8/98
D533,426	S *	12/2006	Torrents Comas	D8/98
D597,568	S *	8/2009	I Comas	D15/127
2003/0029433	A1 *	2/2003	Hepworth	125/23.02

2003/0047056	A1 *	3/2003	Torrents I Comas	83/886
2005/0016518	A1 *	1/2005	Ishii	125/23.02
2009/0044681	A1 *	2/2009	Torrents I Comas	83/886
2009/0145416	A1 *	6/2009	Harding et al.	125/23.02

* cited by examiner

Primary Examiner—Sandra Snapp

Assistant Examiner—Patricia Palasik

(74) *Attorney, Agent, or Firm*—Barnes & Thornburg LLP

(57) **CLAIM**

I claim the ornamental design for a ceramic cutter, as shown and described.

DESCRIPTION

FIG. 1 is a front perspective view of the ceramic cutter;

FIG. 2 is a front elevational view of the ceramic cutter of FIG. 1;

FIG. 3 is a rear elevational view of the ceramic cutter of FIG. 1;

FIG. 4 is a first side elevational view of the ceramic cutter of FIG. 1;

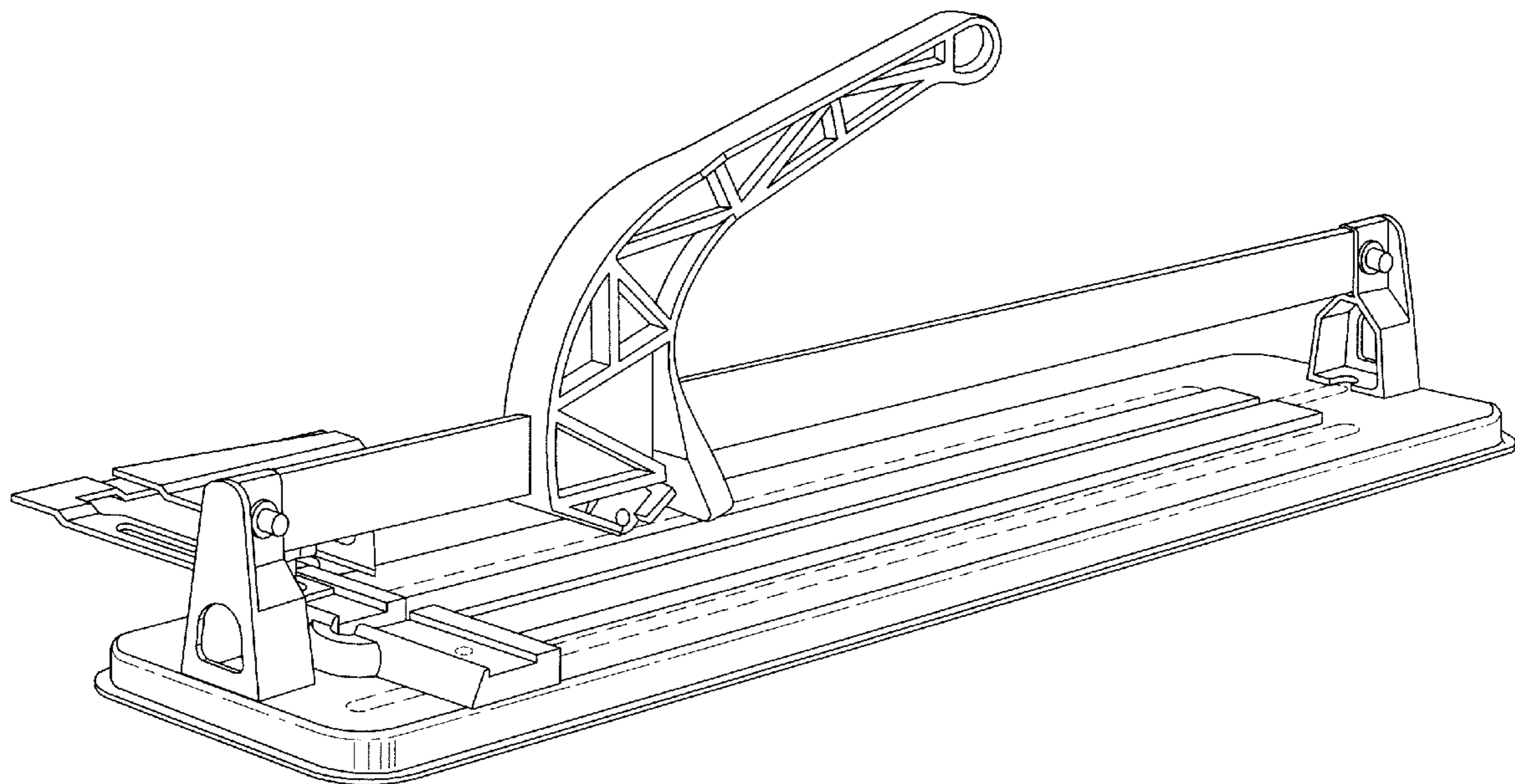
FIG. 5 is a second side elevational view of the ceramic cutter of FIG. 1;

FIG. 6 is a top plan view of the ceramic cutter of FIG. 1; and,

FIG. 7 is a bottom plan view of the ceramic cutter of FIG. 1.

The portion shown in broken lines is for illustrative purposes only and forms no part of the claimed design.

1 Claim, 6 Drawing Sheets



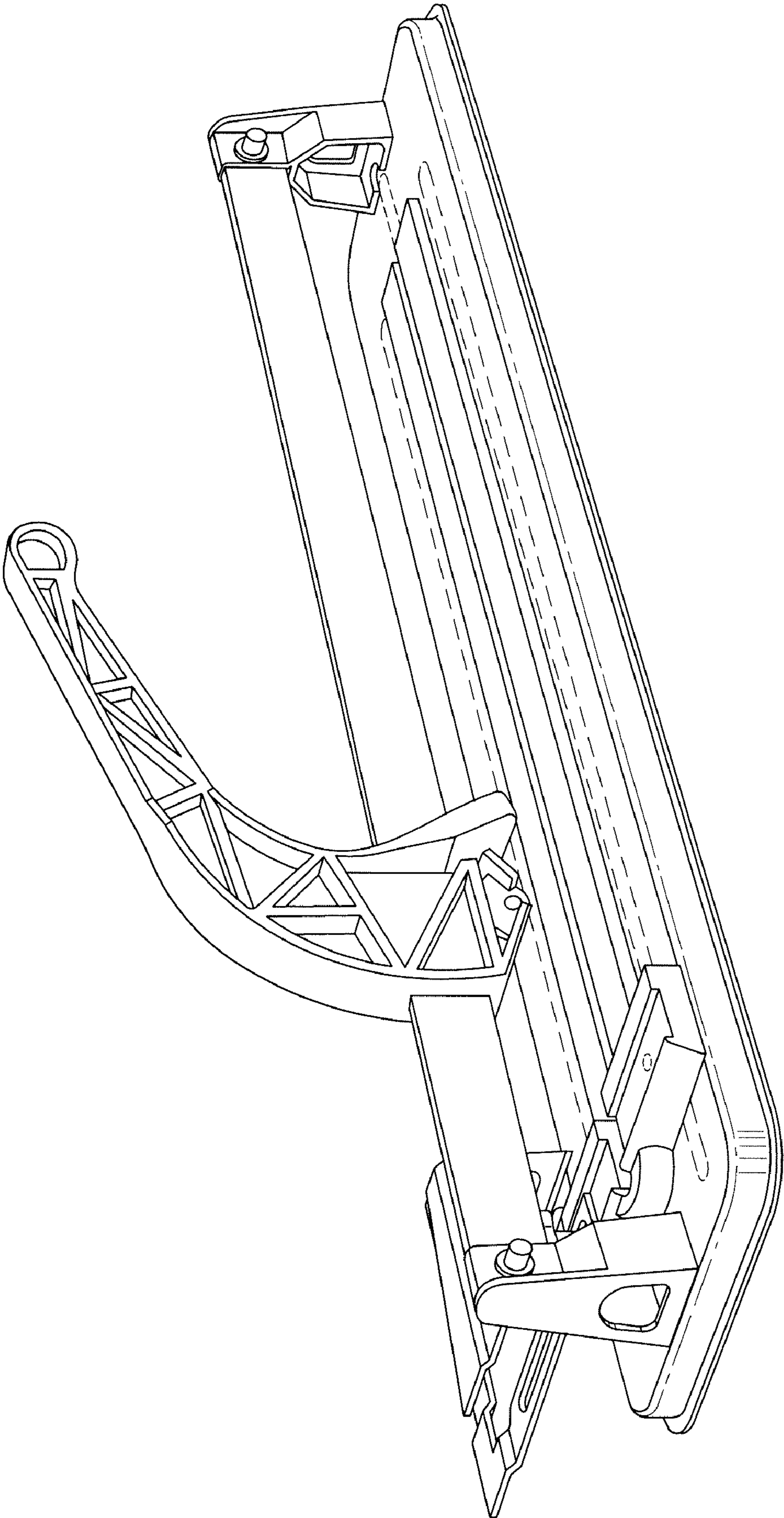


Fig. 1

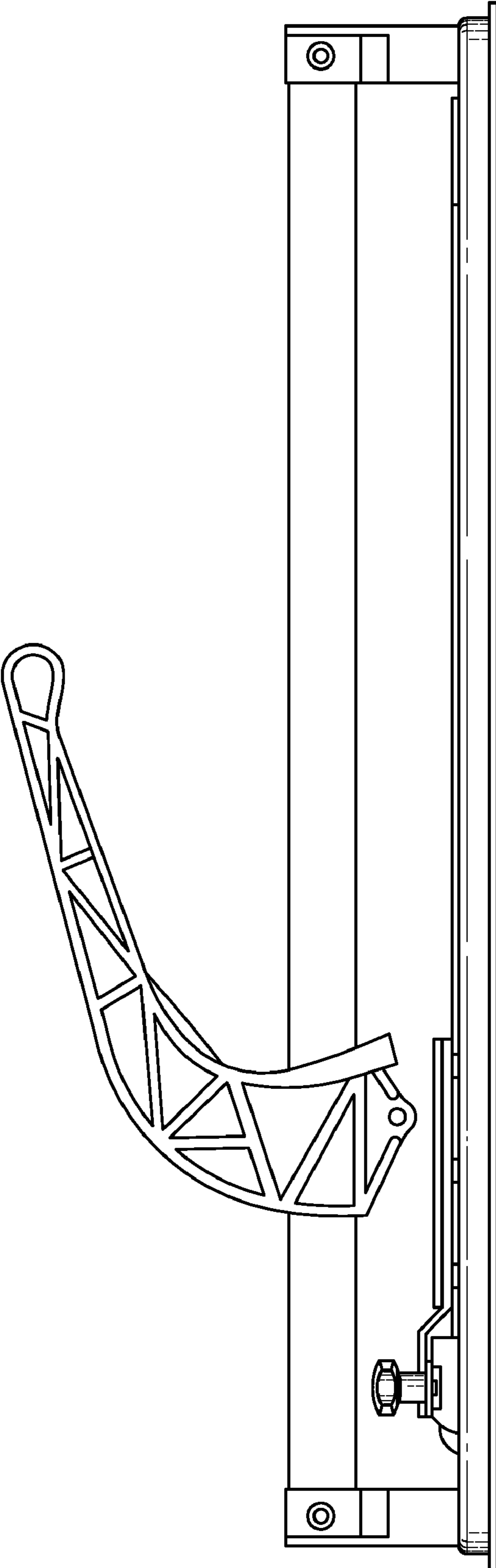


Fig. 2

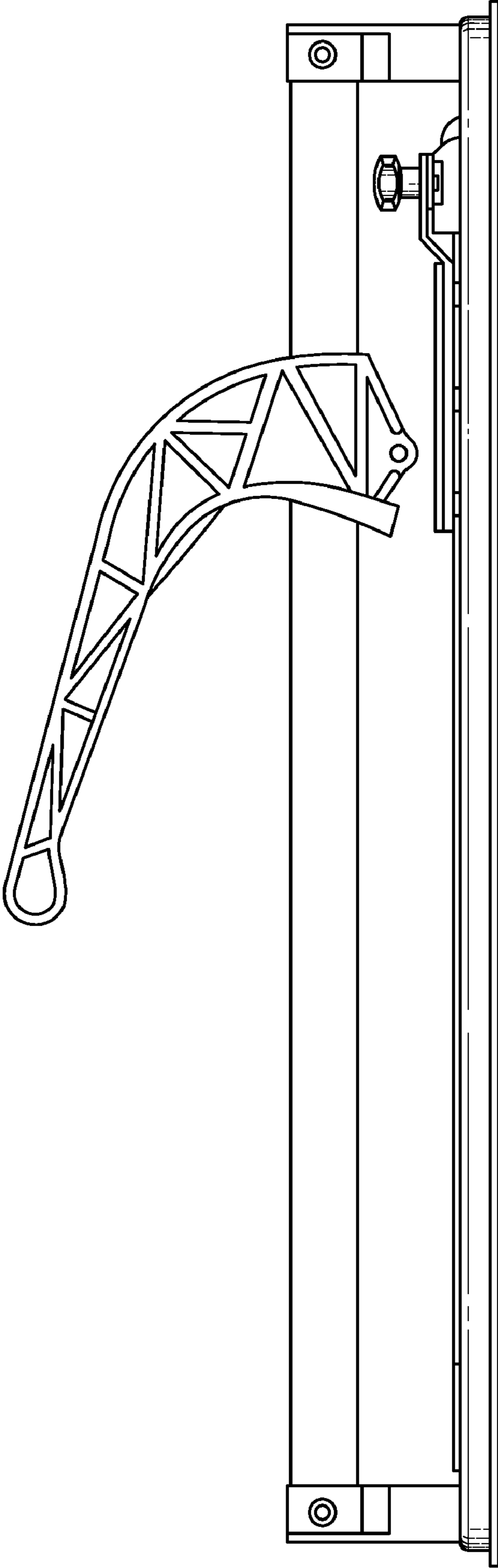


Fig. 3

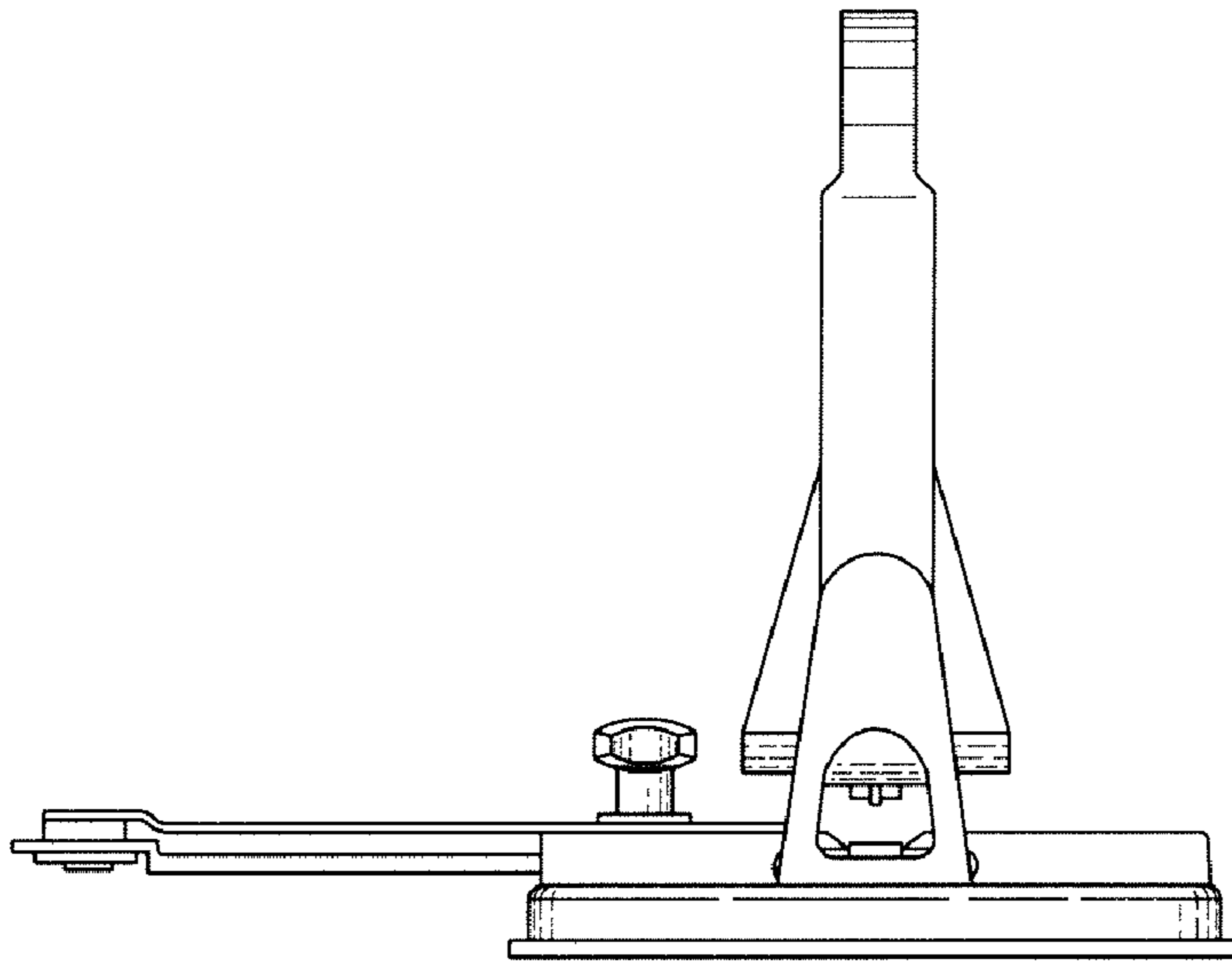


Fig. 4

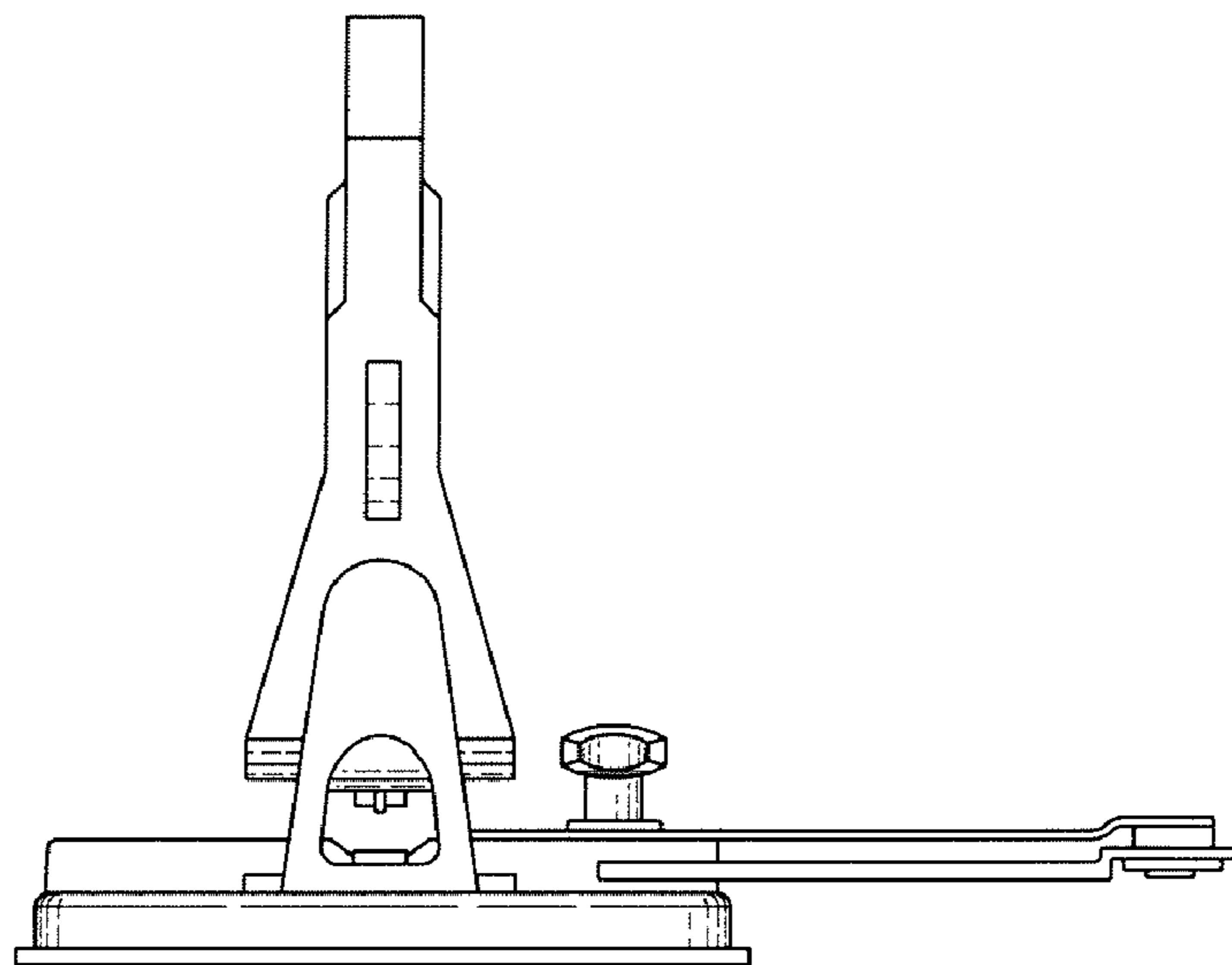


Fig. 5

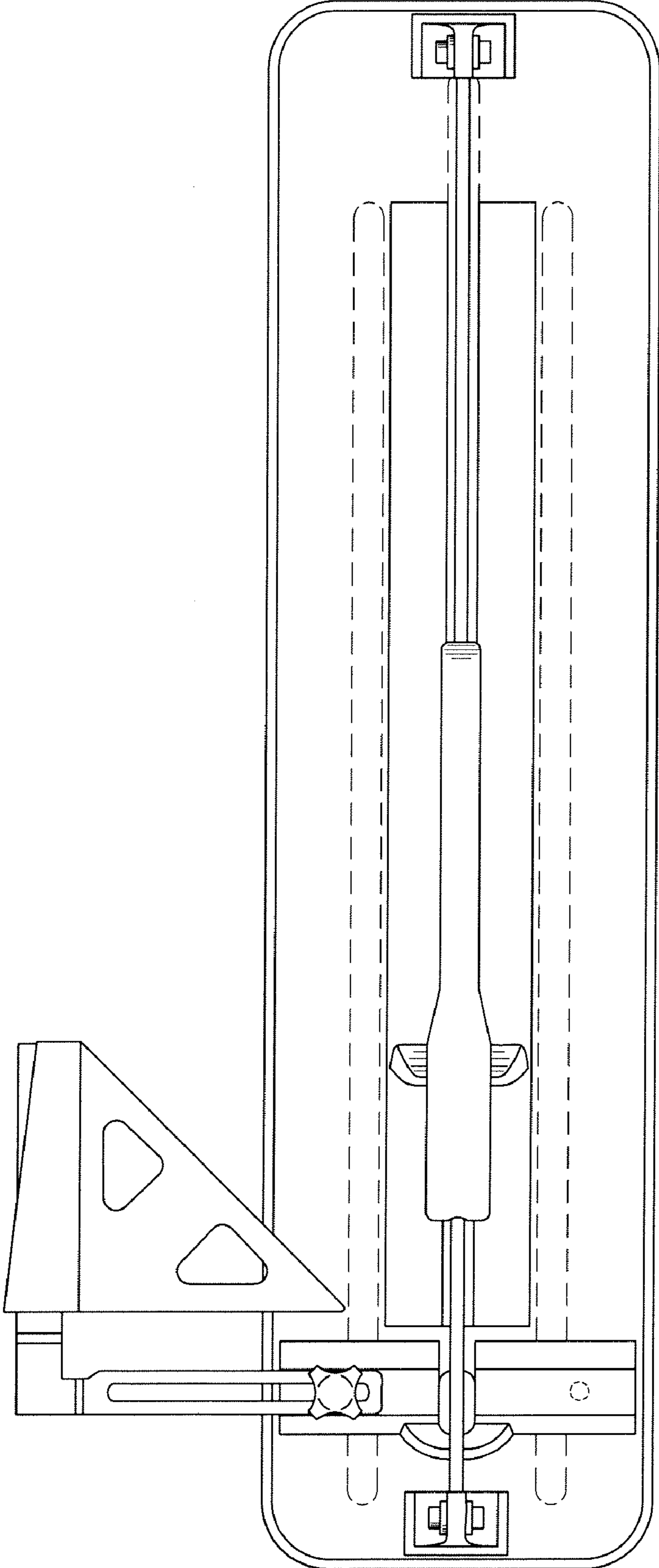


Fig. 6

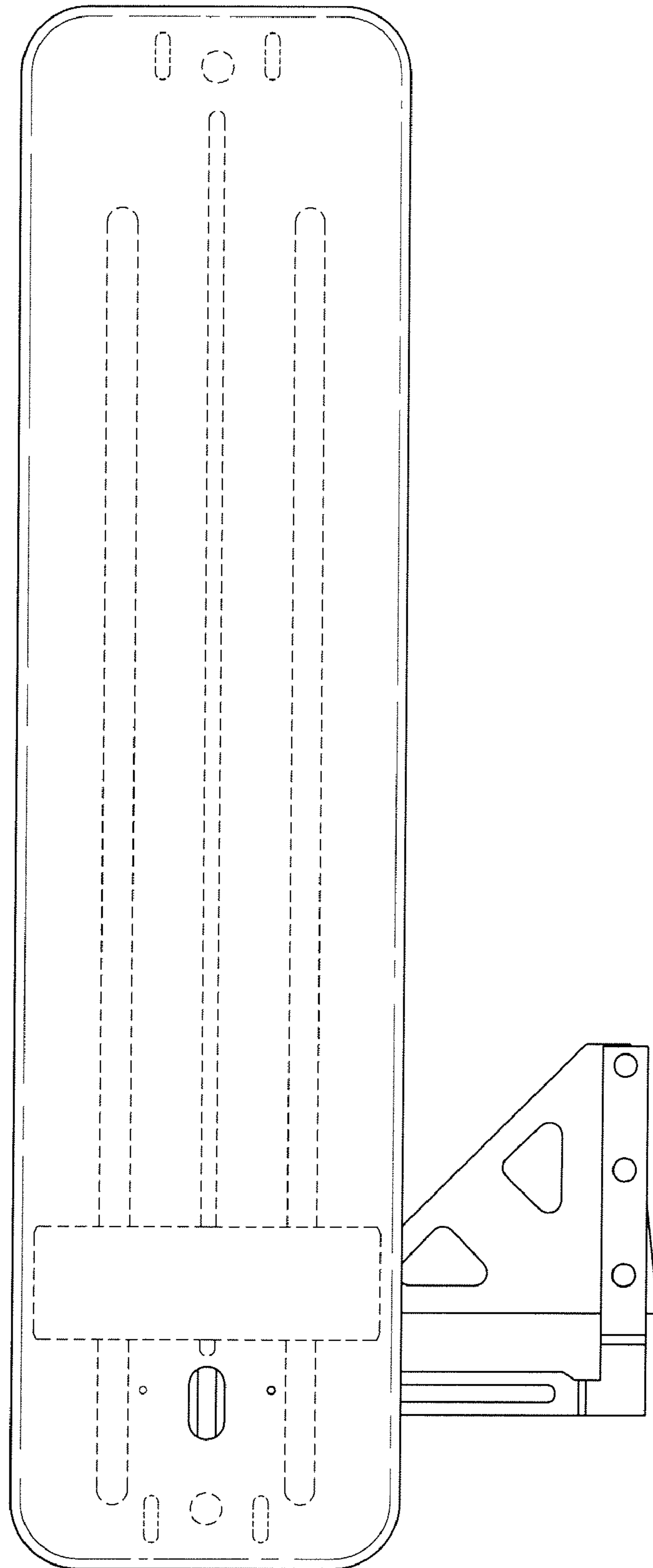


Fig. 7