



US00D618713S

(12) **United States Design Patent**
Tsuji

(10) **Patent No.:** **US D618,713 S**

(45) **Date of Patent:** **** Jun. 29, 2010**

(54) **REFRIGERATOR FOR CONTAINER**

D543,219 S * 5/2007 Heath et al. D15/89
D554,544 S * 11/2007 Englert et al. D10/49
D595,748 S * 7/2009 Kratschmer D15/81

(75) Inventor: **Kaichi Tsuji**, Kusatsu-shi (JP)

* cited by examiner

(73) Assignee: **Daikin Industries Ltd.**, Osaka-Shi,
Osaka (JP)

Primary Examiner—Shanda C Hill

(**) Term: **14 Years**

(74) *Attorney, Agent, or Firm*—Manabu Kanesaka

(21) Appl. No.: **29/347,194**

(57) **CLAIM**

(22) Filed: **Oct. 20, 2009**

The ornamental design for a refrigerator for container, as shown and described.

(51) **LOC (9) Cl.** **15-07**

(52) **U.S. Cl.** **D15/79**

(58) **Field of Classification Search** D15/79,
D15/81, 89, 91; 62/239, 243, 244, 263, 323.1;
312/400–408; D10/49, 50; D23/325, 351
See application file for complete search history.

DESCRIPTION

FIG. 1 is a perspective view of a refrigerator for container showing my new design;

FIG. 2 is a front view thereof;

FIG. 3 is a rear view thereof;

FIG. 4 is a top plan view thereof;

FIG. 5 is a bottom view thereof;

FIG. 6 is a right side view thereof, the left side view being a mirror image; and,

FIG. 7 is a cross sectional view thereof taken along line 7—7 of FIG. 2.

The broken lines shown in the drawing disclosure are for illustrative purposes only and form no part of the claimed design.

(56) **References Cited**

U.S. PATENT DOCUMENTS

D258,233 S *	2/1981	Taylor et al.	D23/325
4,365,484 A *	12/1982	Carson et al.	62/239
D287,619 S *	1/1987	Allard et al.	D23/325
D323,552 S *	1/1992	Baldwin et al.	D23/325
D343,894 S *	2/1994	Anderson et al.	D23/325
D360,681 S *	7/1995	Chopko et al.	D23/325
D368,916 S *	4/1996	Pawlowski et al.	D15/79
D419,229 S *	1/2000	Stevens et al.	D23/325
D451,107 S *	11/2001	Tsuji	D15/79
D454,625 S *	3/2002	Flanagan	D23/325

1 Claim, 4 Drawing Sheets

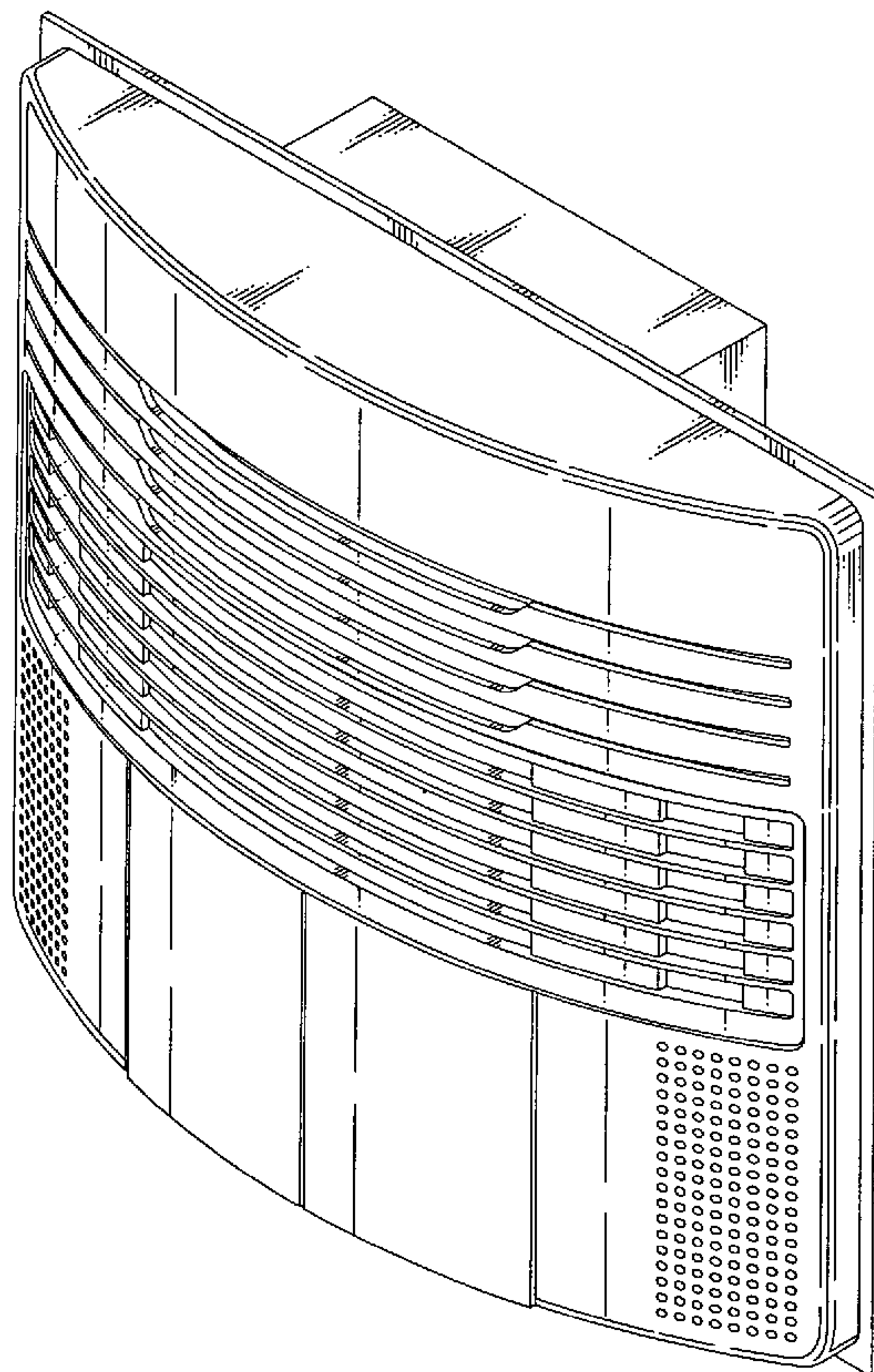


Fig. 1

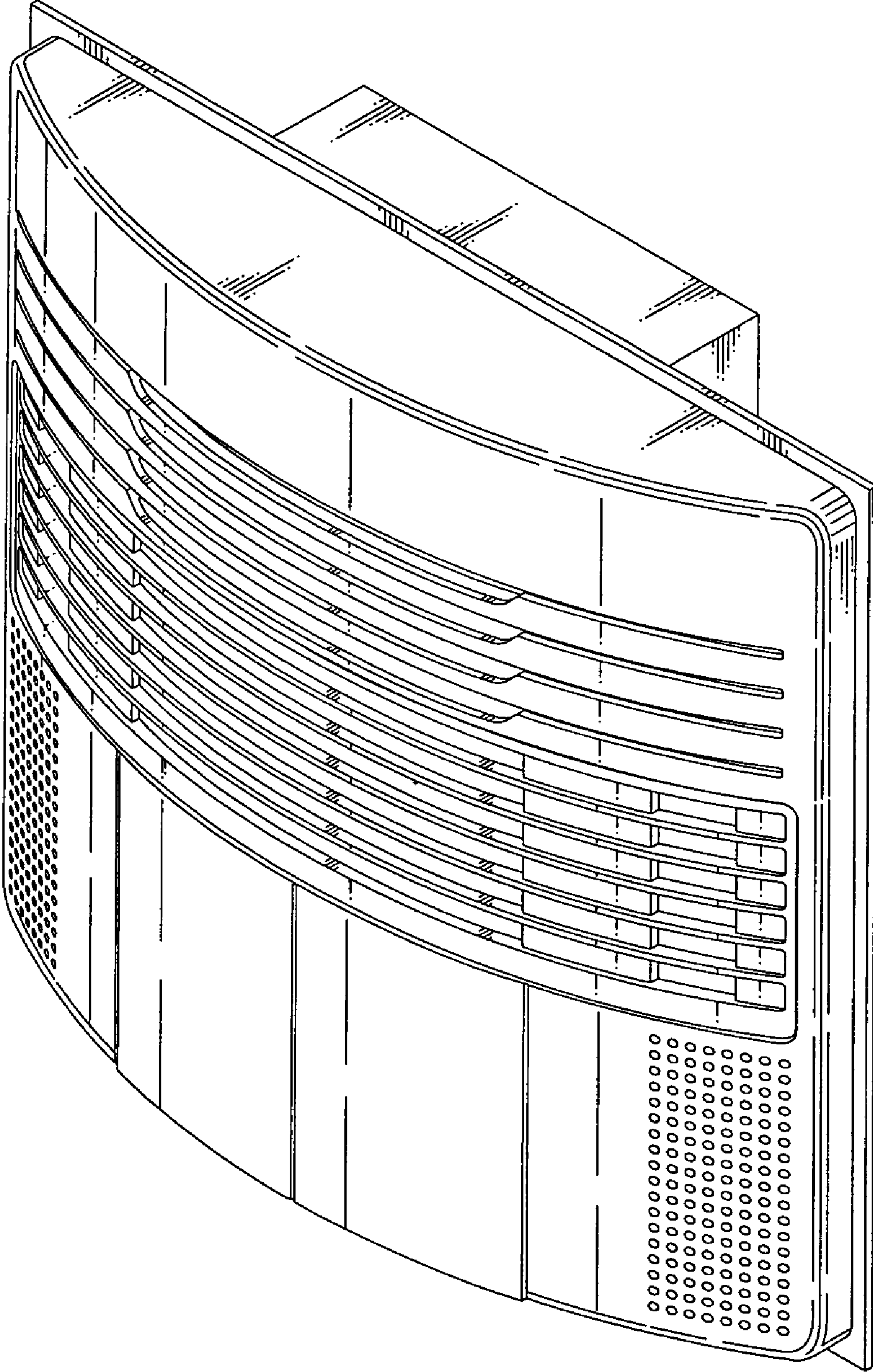


Fig.2

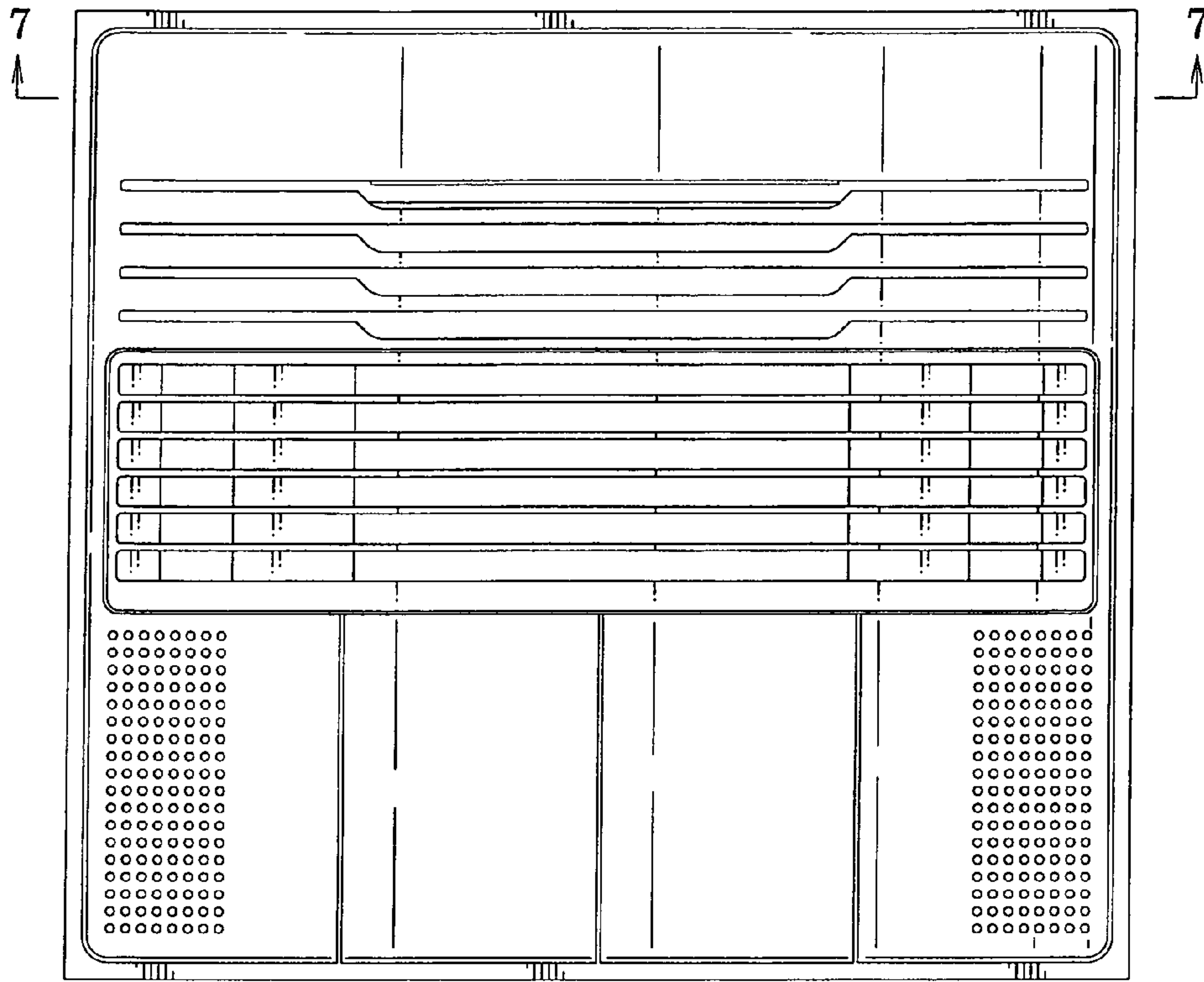


Fig.3

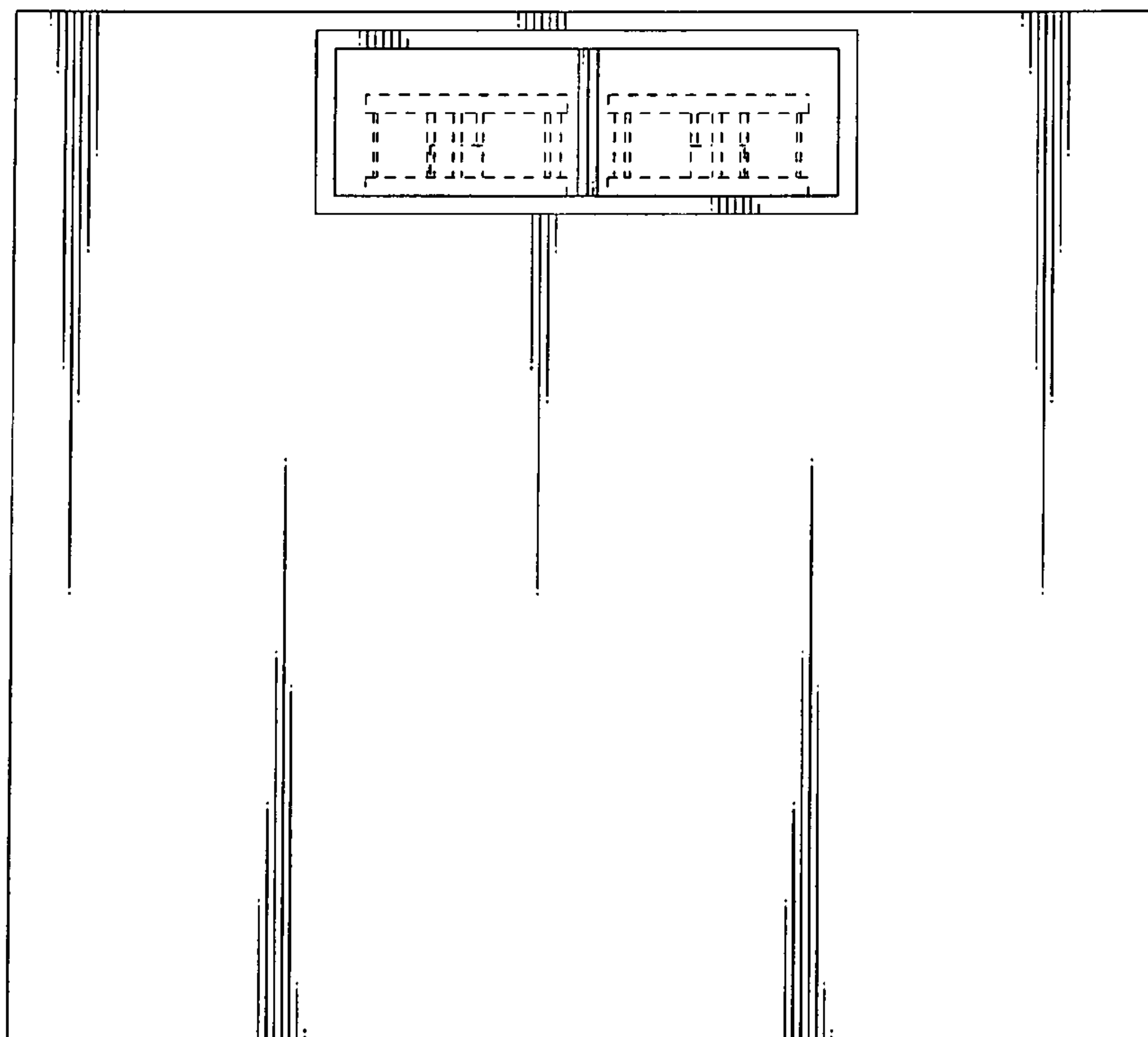


Fig.4

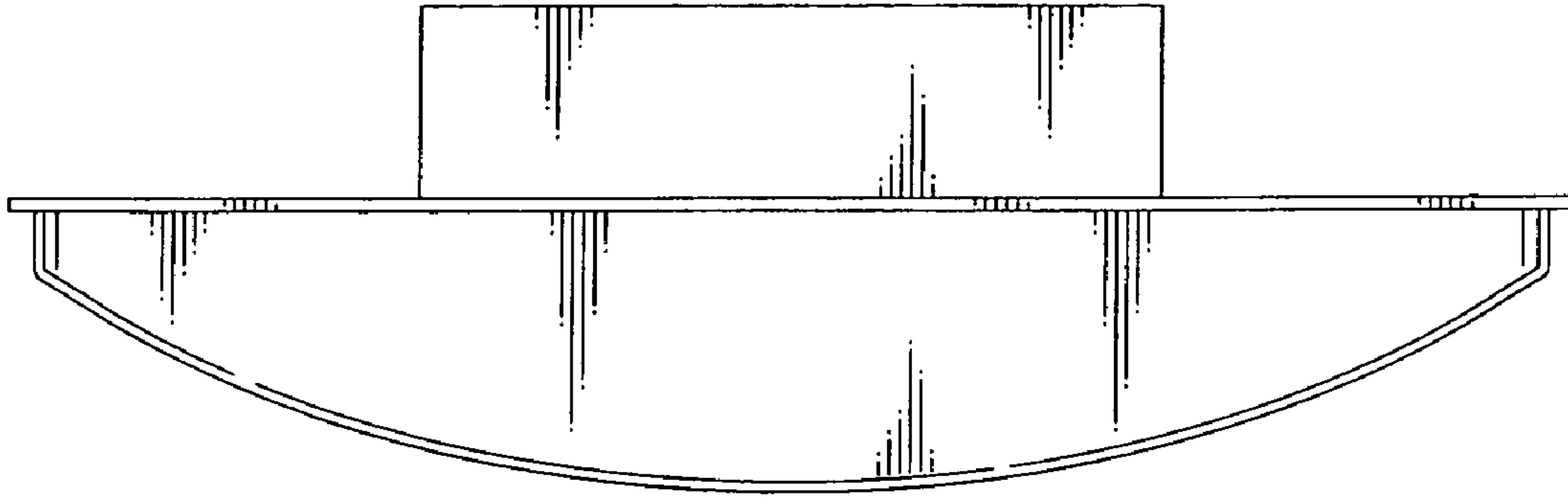


Fig.5

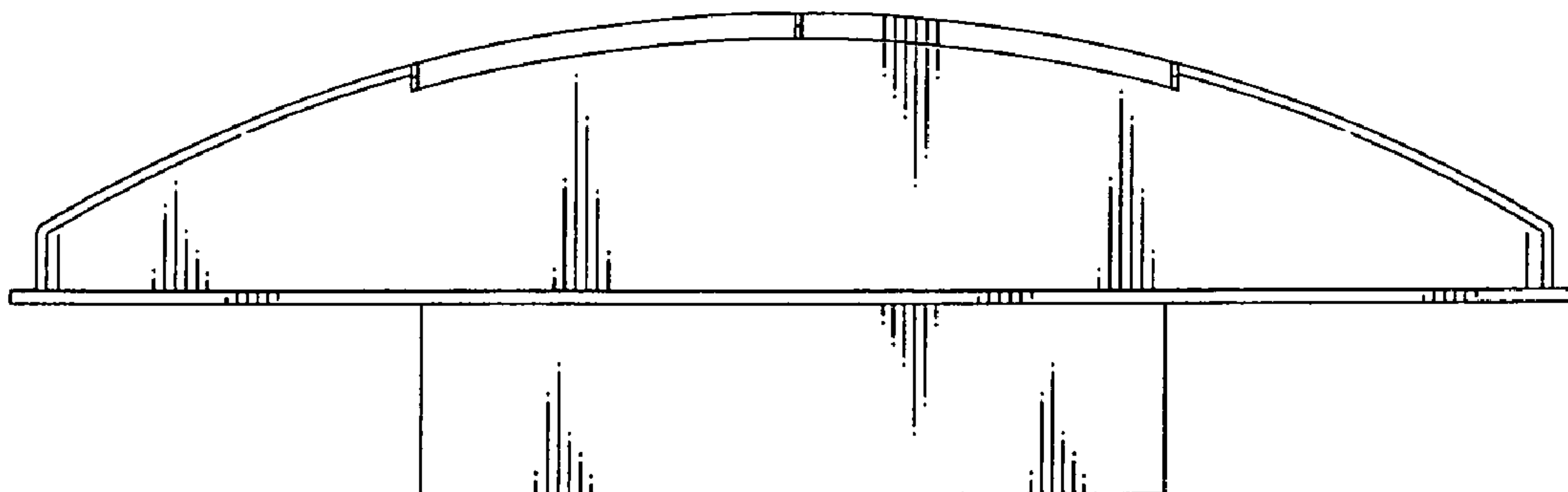


Fig.6

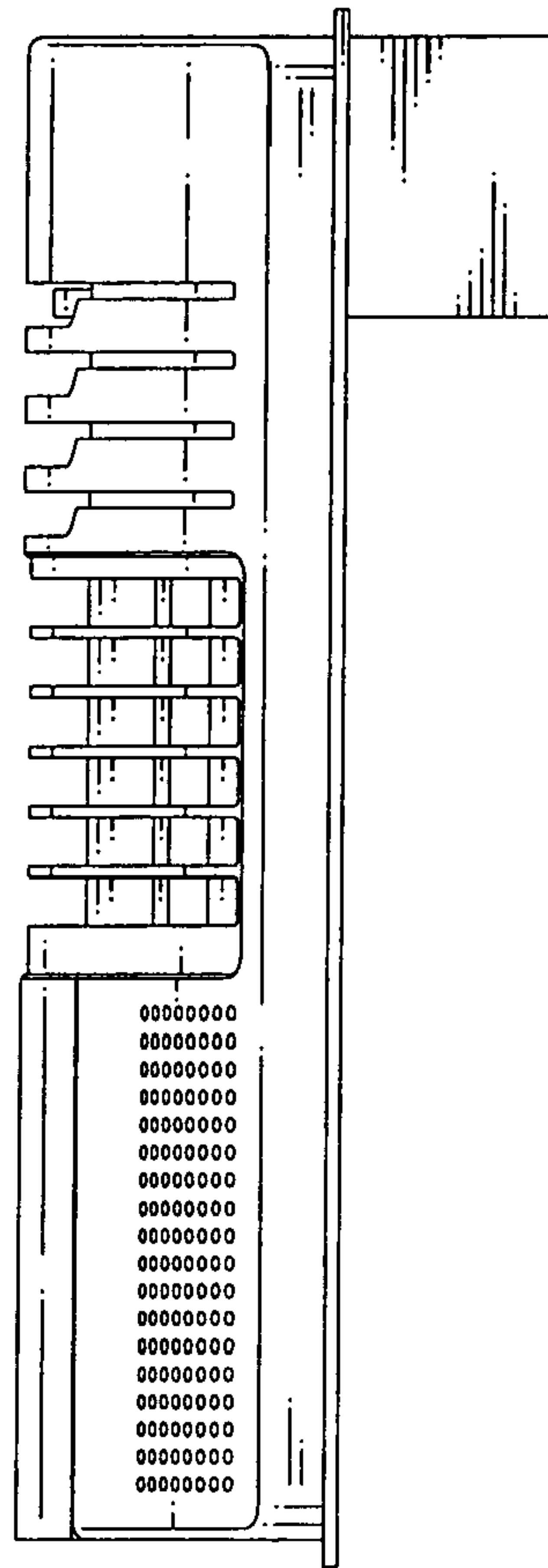


Fig.7

