



US00D618711S

(12) **United States Design Patent**  
**Tokuhara**

(10) **Patent No.:** **US D618,711 S**  
(45) **Date of Patent:** **\*\* Jun. 29, 2010**

(54) **FENDER**  
(75) Inventor: **Takayuki Tokuhara**, Osaka (JP)  
(73) Assignee: **Yanmar Co., Ltd.**, Osaka-shi, Osaka (JP)  
(\*\*) Term: **14 Years**  
(21) Appl. No.: **29/351,570**  
(22) Filed: **Dec. 8, 2009**  
(51) **LOC (9) Cl.** ..... **15-03**  
(52) **U.S. Cl.** ..... **D15/28; D15/17**  
(58) **Field of Classification Search** ..... D15/14-18, D15/22-26, 28, 31, 33; D12/184, 196; 280/160, 280/847; 56/16.1, 13.3, 15.9, 16.7, 17.4, 56/202, 255, 320.1, 13.4, 15.8, 294, 320.2; 180/68.1, 900, 69.21, 69.22, 69.23, 69.24, 180/69.25, 89.1, 69.2, 89.12, 89.19, 273, 180/68.6, 89.11, 89.13; 296/190.01, 190.08, 296/211, 190, 202, 102  
See application file for complete search history.

(56) **References Cited**  
U.S. PATENT DOCUMENTS  
D209,043 S \* 10/1967 Purcell ..... D15/28  
D338,896 S \* 8/1993 Flenniken et al. .... D15/17  
D389,160 S \* 1/1998 Wolf ..... D15/17  
D400,825 S \* 11/1998 Laivins et al. .... D12/106  
D432,549 S \* 10/2000 Surrige et al. .... D15/17  
D433,425 S \* 11/2000 Surrige et al. .... D15/17  
D440,233 S \* 4/2001 Smith ..... D15/17  
D441,769 S \* 5/2001 Surrige ..... D15/17  
D448,036 S \* 9/2001 Goebert et al. .... D15/17  
D449,056 S \* 10/2001 Westimayer et al. .... D15/28  
D457,175 S \* 5/2002 Goebert et al. .... D15/33  
D484,894 S \* 1/2004 McCord et al. .... D15/28  
D493,472 S \* 7/2004 Higashikawa et al. .... D15/28  
D513,268 S \* 12/2005 Wang et al. .... D15/23  
D516,588 S \* 3/2006 Higashikawa ..... D15/28  
D525,992 S \* 8/2006 Higashikawa et al. .... D15/6

D542,308 S \* 5/2007 Oka et al. .... D15/23  
7,222,884 B2 \* 5/2007 Callan et al. .... 280/848  
D544,888 S \* 6/2007 Mursch et al. .... D15/28  
D562,350 S \* 2/2008 Higashikawa ..... D15/17  
D591,774 S \* 5/2009 Kokitkar et al. .... D15/28  
D591,775 S \* 5/2009 Kokitkar et al. .... D15/28  
D604,750 S \* 11/2009 Smith et al. .... D15/28  
2003/0042063 A1 \* 3/2003 Arthur et al. .... 180/315  
2003/0042760 A1 \* 3/2003 Arthur et al. .... 296/190.01

FOREIGN PATENT DOCUMENTS

JP D1168644 3/2003  
JP D1321732 2/2008  
JP D1330650 5/2008

\* cited by examiner

*Primary Examiner*—Mark A Goodwin  
(74) *Attorney, Agent, or Firm*—Sterne, Kessler, Goldstein & Fox P.L.L.C.

(57) **CLAIM**

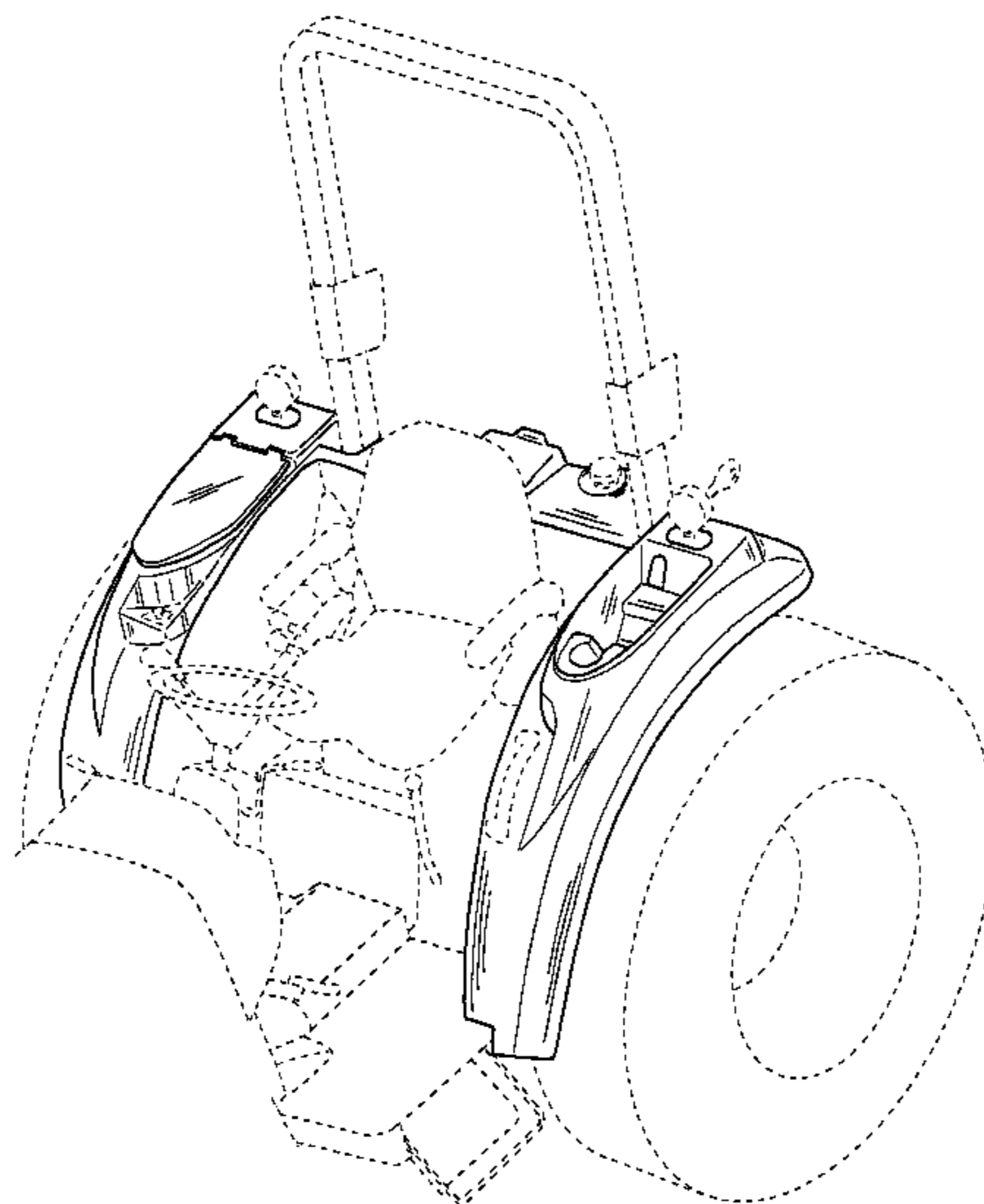
The ornamental design for a fender, as shown and described.

**DESCRIPTION**

FIG. 1 is a front perspective view of a fender showing my new design;  
FIG. 2 is a right side view thereof;  
FIG. 3 is a left side view thereof;  
FIG. 4 is a front view thereof;  
FIG. 5 is a rear view thereof;  
FIG. 6 is a top plan view thereof;  
FIG. 7 is a rear perspective view thereof; and,  
FIG. 8 is a reduced front perspective view thereof, showing the fender in use condition.

The broken lines depict environmental subject matter only and form no part of the claimed design. Any portion of the fender not shown forms no part of the claimed design.

**1 Claim, 8 Drawing Sheets**



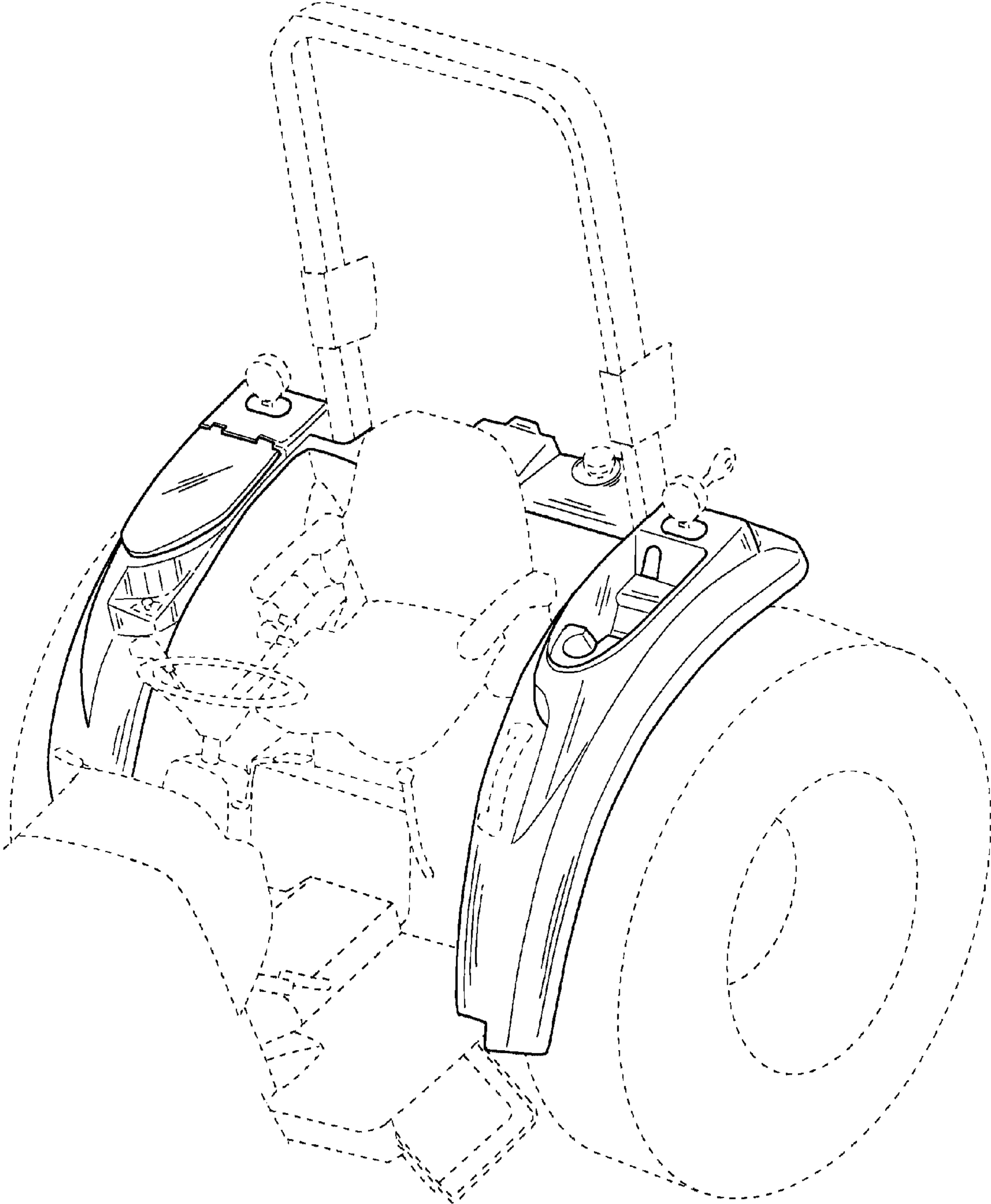


FIG. 1

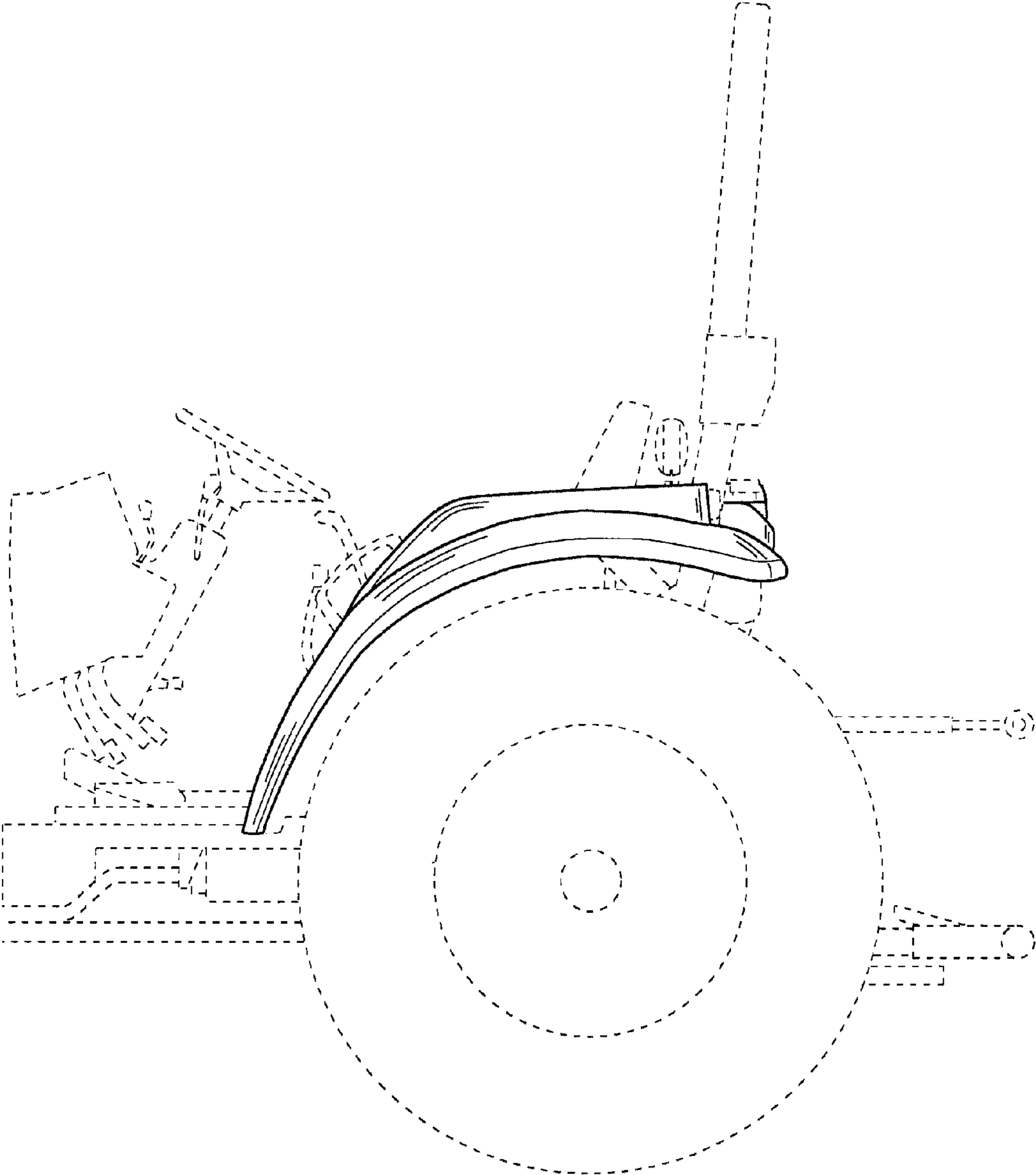


FIG. 2

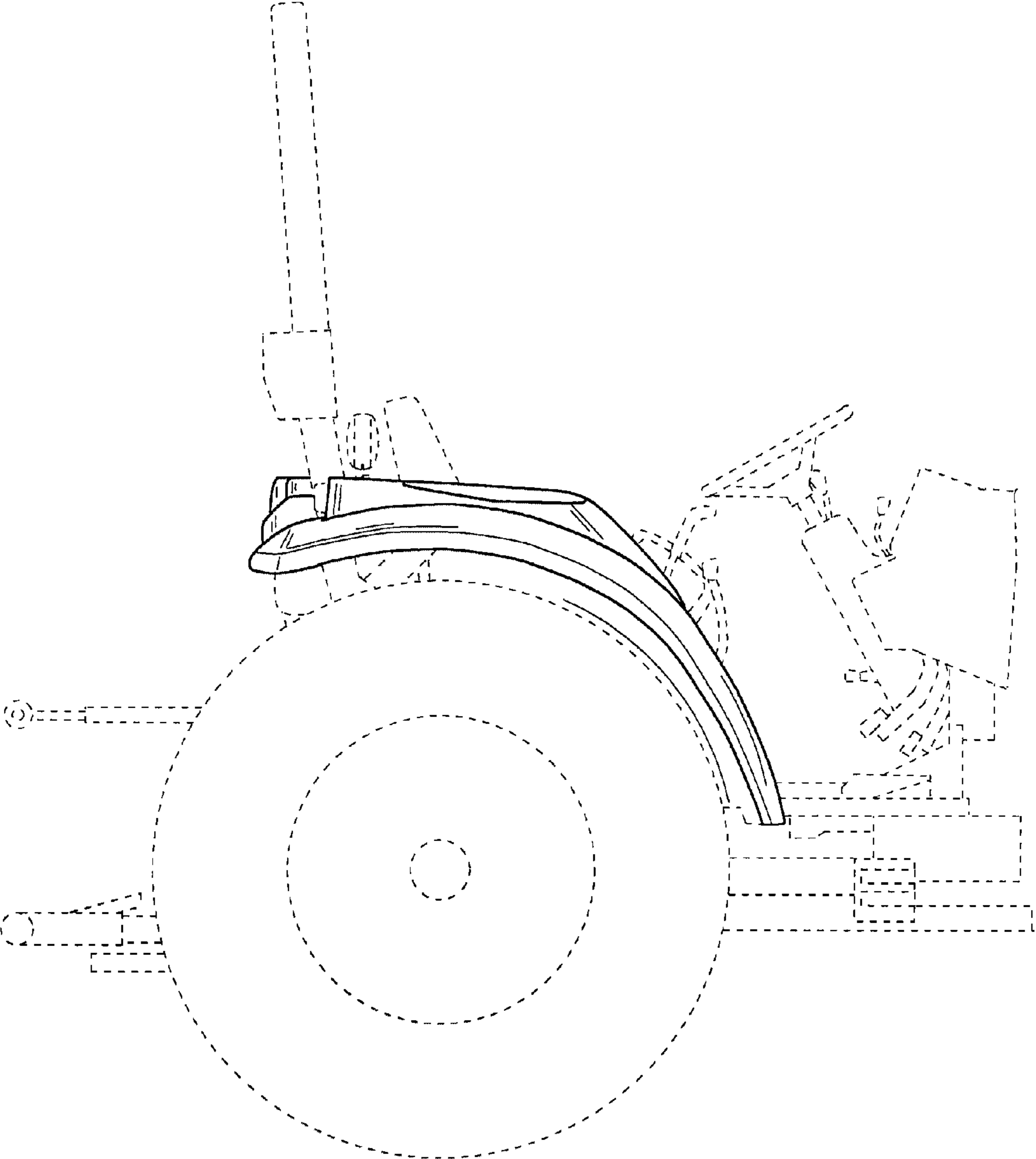


FIG. 3

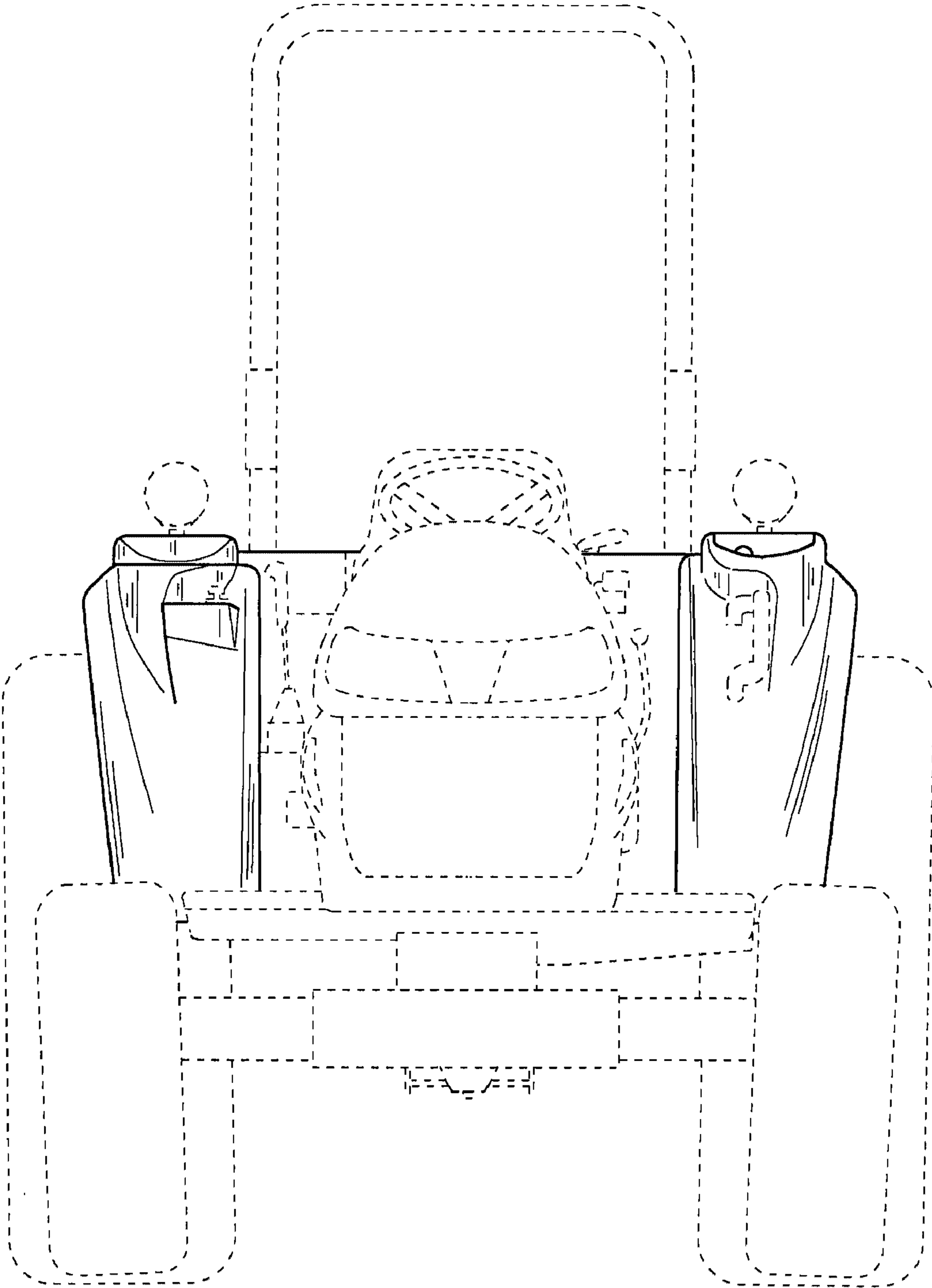


FIG. 4

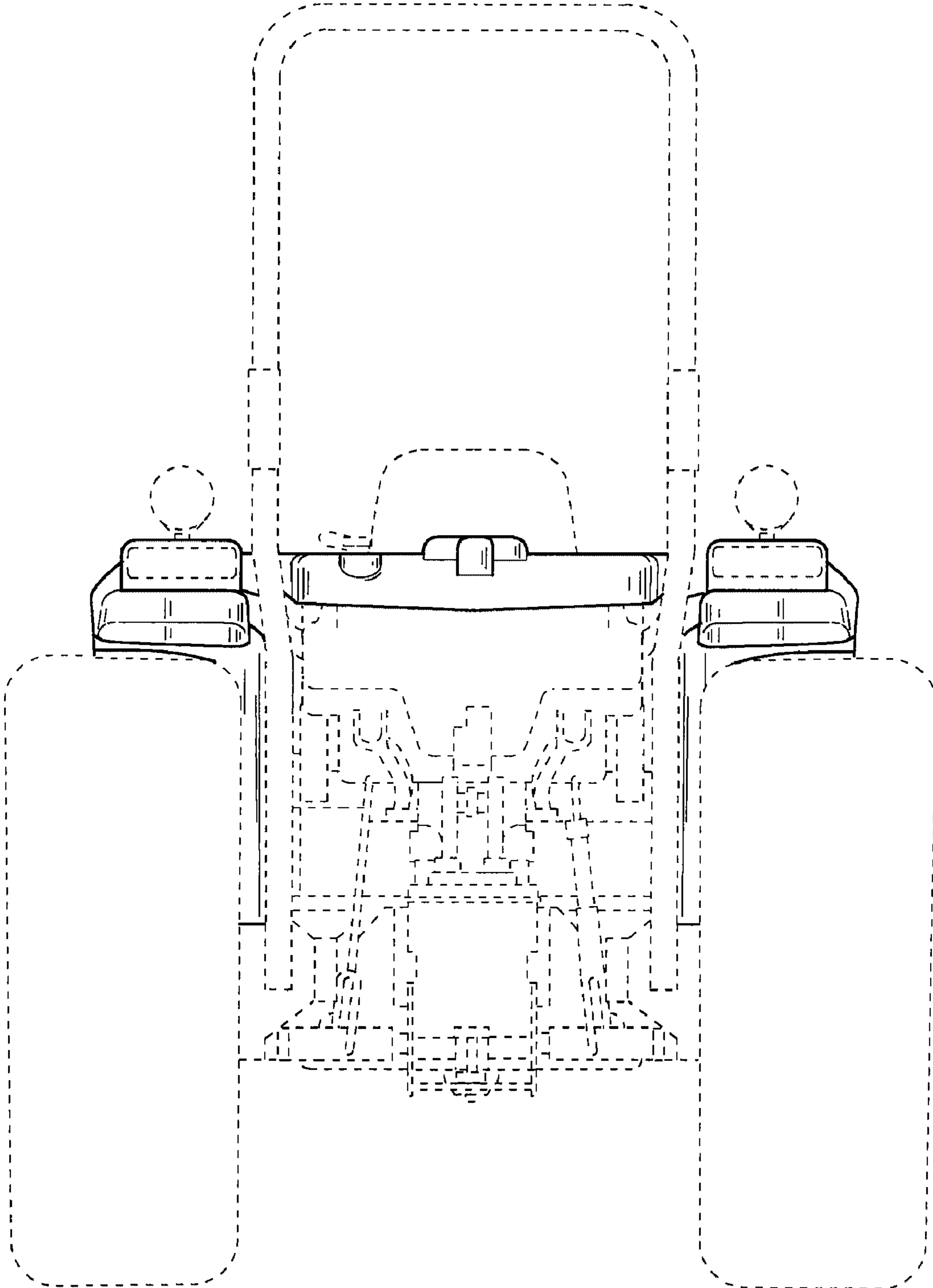


FIG. 5

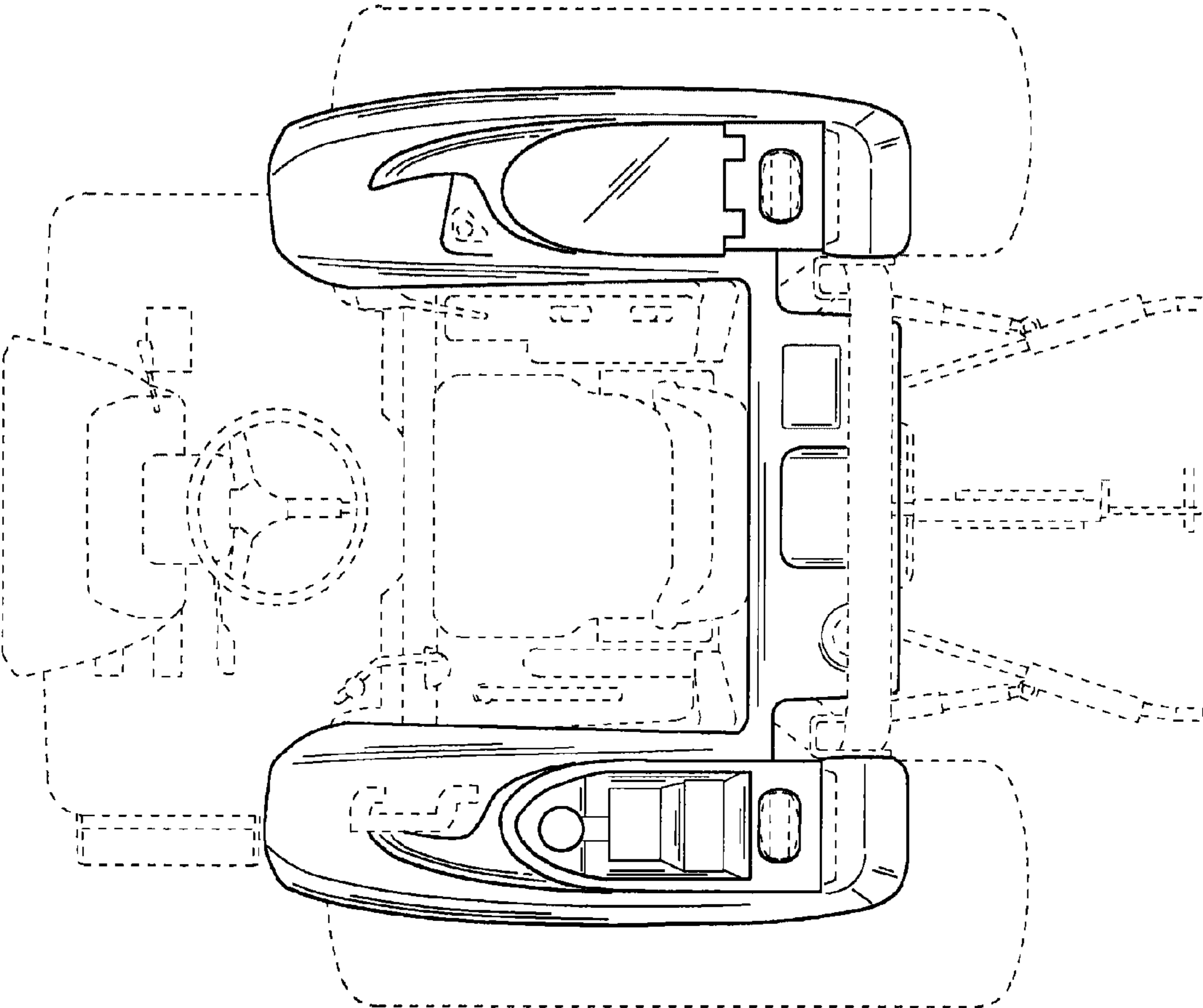


FIG. 6

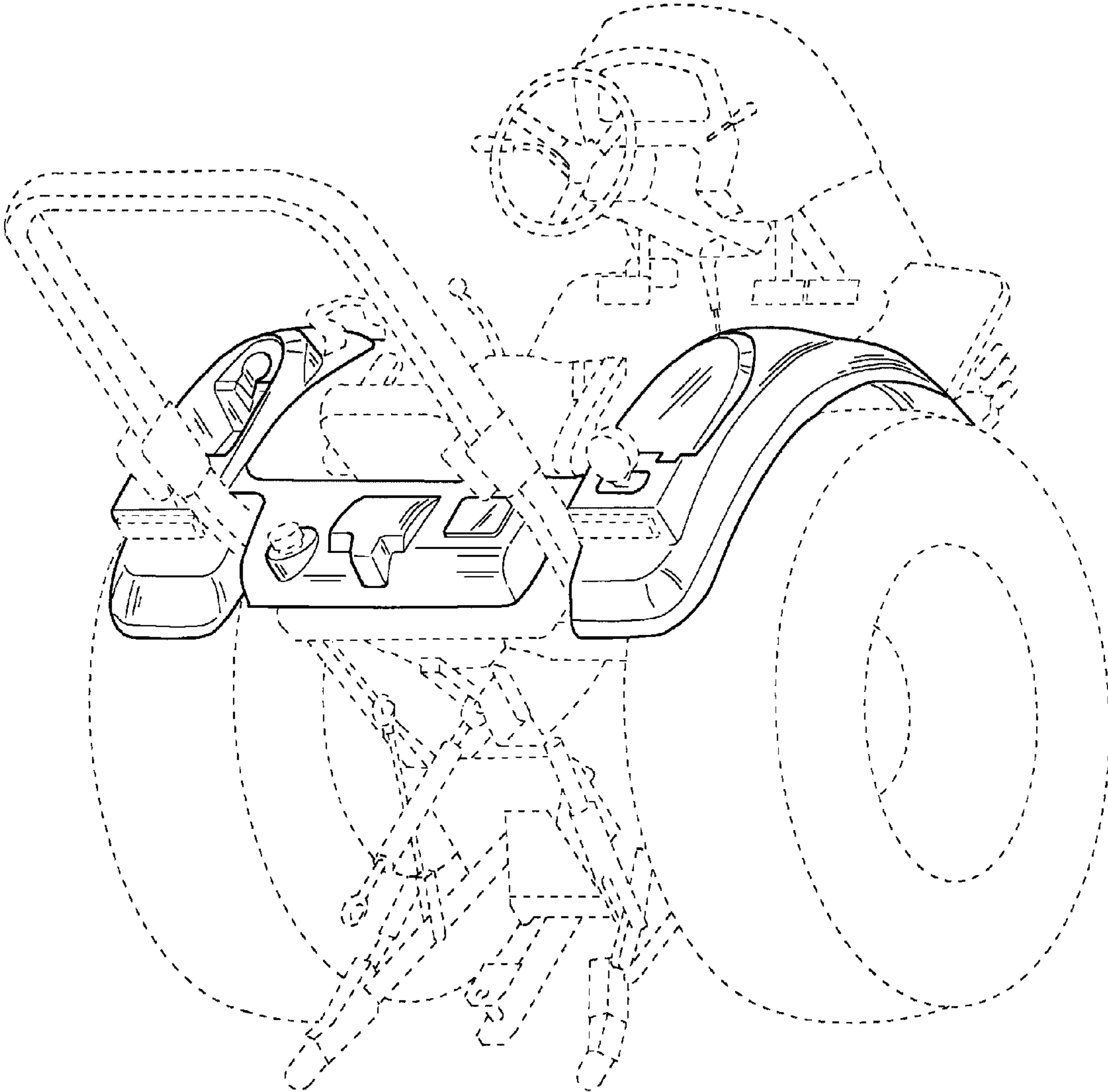


FIG. 7



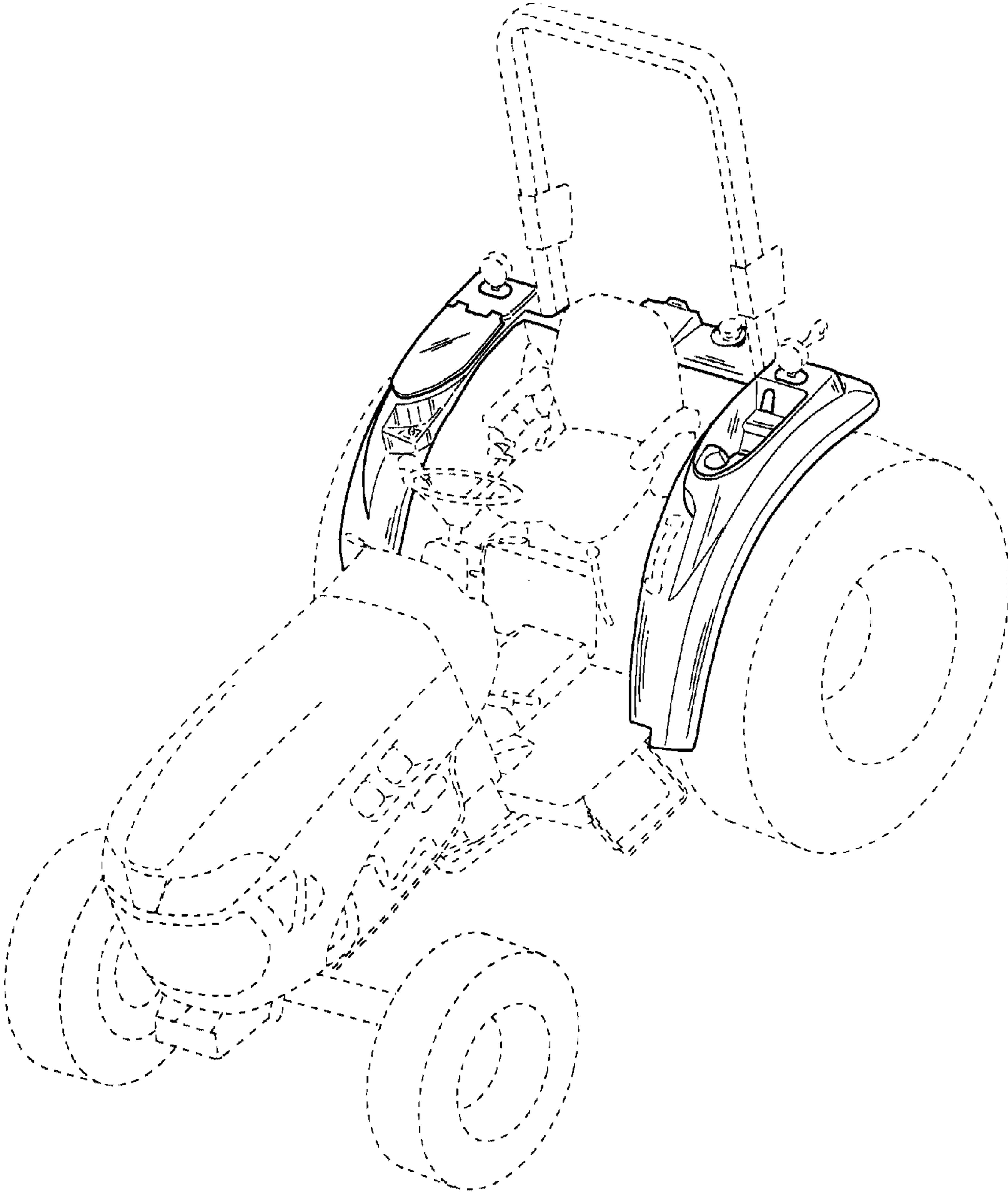


FIG. 8