



US00D618708S

(12) **United States Design Patent**  
**Quirke et al.**

(10) **Patent No.:** **US D618,708 S**  
(45) **Date of Patent:** **\*\* \*Jun. 29, 2010**

(54) **HARVESTING HEAD**

(75) Inventors: **Peter Quirke**, Tokoroa (NZ); **Alex J. Stevenson**, Papamoa (NZ); **Justyn P. Smythe**, Cambridge (NZ)

(73) Assignee: **Waratah NZ Limited**, Tokoroa (NZ)

(\*) Notice: This patent is subject to a terminal disclaimer.

(\*\*) Term: **14 Years**

(21) Appl. No.: **29/338,474**

(22) Filed: **Jun. 12, 2009**

(51) **LOC (9) Cl.** ..... **15-03**

(52) **U.S. Cl.** ..... **D15/28; D15/10**

(58) **Field of Classification Search** ..... D15/28,  
D15/10; 144/4.1, 343, 24.13, 338, 357, 3.1,  
144/208.1, 34.1

See application file for complete search history.

(56) **References Cited**

**U.S. PATENT DOCUMENTS**

D247,567	S *	3/1978	Haataja	.....	D15/11
4,239,067	A *	12/1980	Mononen	.....	144/24.13
D264,212	S *	5/1982	Savage, Sr.	.....	D15/28
4,434,827	A *	3/1984	Franklin	.....	144/336
4,552,191	A *	11/1985	Kuusilinna	.....	144/4.1
D284,476	S *	7/1986	Boschen et al.	.....	D15/28
4,800,936	A *	1/1989	Pomies et al.	.....	144/4.1
5,082,036	A *	1/1992	Vierikko	.....	144/4.1
5,101,872	A *	4/1992	Scheuren	.....	144/4.1
5,219,010	A *	6/1993	Eriksson	.....	144/24.13
5,709,254	A *	1/1998	Argue	.....	144/34.1
5,727,610	A *	3/1998	Isley	.....	144/4.1
5,785,101	A *	7/1998	Wildey	.....	144/4.1
5,931,247	A *	8/1999	Peterson	.....	180/89.13
5,975,166	A *	11/1999	MacLennan	.....	144/4.1
5,979,518	A *	11/1999	Hamby	.....	144/34.1
6,318,425	B1 *	11/2001	Niemi	.....	144/343
6,516,841	B1 *	2/2003	Oilund	.....	144/4.1
6,691,751	B2 *	2/2004	Kettunen et al.	.....	144/4.1

6,962,178	B2 *	11/2005	Duval	.....	144/3.1
7,131,501	B1 *	11/2006	Svendsen et al.	.....	172/601
7,296,602	B1 *	11/2007	Riha et al.	.....	144/4.1
7,503,359	B2 *	3/2009	Lennartsson	.....	144/394
2003/0019542	A1 *	1/2003	Oilund	.....	144/4.1
2006/0157156	A1 *	7/2006	Shae	.....	144/208.1
2006/0157157	A1 *	7/2006	Shae	.....	144/208.1
2007/0113925	A1 *	5/2007	DiSabatino	.....	144/4.1
2008/0099102	A1 *	5/2008	Trom	.....	144/4.1
2008/0289724	A1 *	11/2008	Sharplin et al.	.....	144/336

**OTHER PUBLICATIONS**

- Images of HTH622B\_1 (1 page).
- Images of HTH622B\_2 (1 page).
- HTH600 Series Product Brochure (Sep. 2007) (12 pages).
- HTH616 Product Brochure (2 pages).
- HTH622 Product Brochure (2 pages).
- HTH624C Product Brochure (3 pages).
- HTH626 Product Brochure (2 pages).
- Image of Valmet Product (1 page).

(Continued)

*Primary Examiner*—Mark A Goodwin

(57) **CLAIM**

The ornamental design for a harvesting head, as shown and described.

**DESCRIPTION**

FIG. 1 is a left-side perspective view of the harvesting head, with broken lines showing various features for illustrative, environmental purposes only and forming no part of the claimed design;

FIG. 2 is a front elevation view thereof;

FIG. 3 is a rear elevation view thereof;

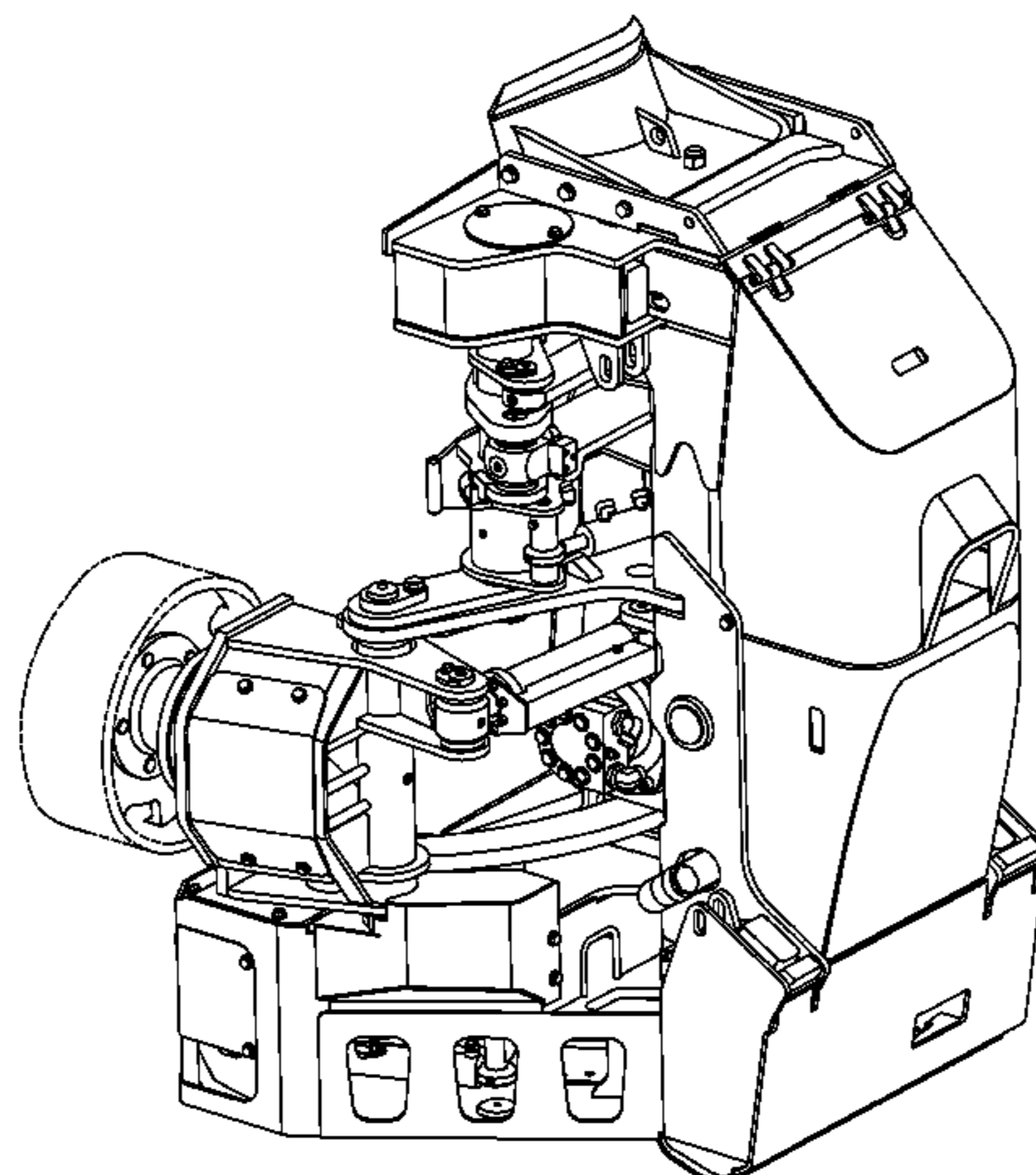
FIG. 4 is a left side elevation view thereof;

FIG. 5 is a right side elevation view thereof;

FIG. 6 is a top plan view thereof; and,

FIG. 7 is a bottom plan view thereof.

**1 Claim, 7 Drawing Sheets**



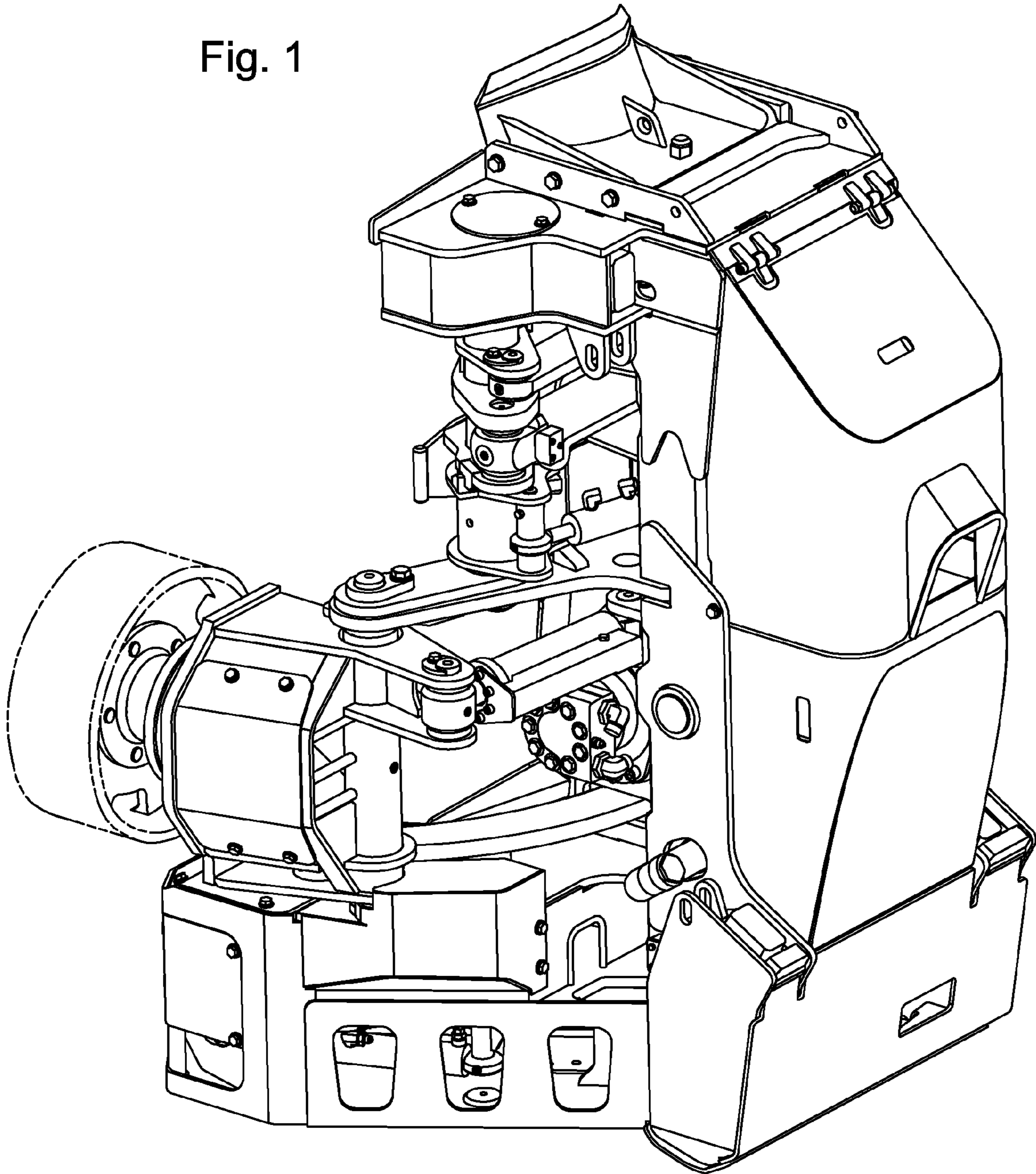
OTHER PUBLICATIONS

Images of HTH616 Harvesting Head (6 pages).  
Images of HTH616 Valve Cover and Saw Section Housing (6 pages).  
Images of HTH622B Harvesting Head (6 pages).  
Images of HTH622B Valve Cover (6 pages).  
Images of HTH624C Harvesting Head (6 pages).  
Images of HTH624C Valve Cover (6 pages).  
Images of Saw Section Housing of HTH622B Harvesting Head (6 pages).  
Images of Saw Section Housing of HTH624C Harvesting Head (6 pages).  
Ponsse Product Brochure (2005) (2 pages).

TimberRite Product Brochure (Aug. 2008) (6 pages).  
Valmet Product Brochure (Nov. 2007) (2 pages).  
Continued Prosecution Application (CPA) of U.S. Appl. No. 29/338,475, CPA being commonly assigned to Waratah NZ with present application.  
U.S. Appl. No. 29/338,475, filed Jun. 12, 2009, commonly assigned to Waratah NZ Limited with present application.  
U.S. Appl. No. 29/338,476, filed Jun. 12, 2009, commonly assigned to Waratah NZ Limited with present application.  
U.S. Appl. No. 29/338,480, filed Jun. 12, 2009, commonly assigned to Waratah NZ Limited with present application.

\* cited by examiner

Fig. 1



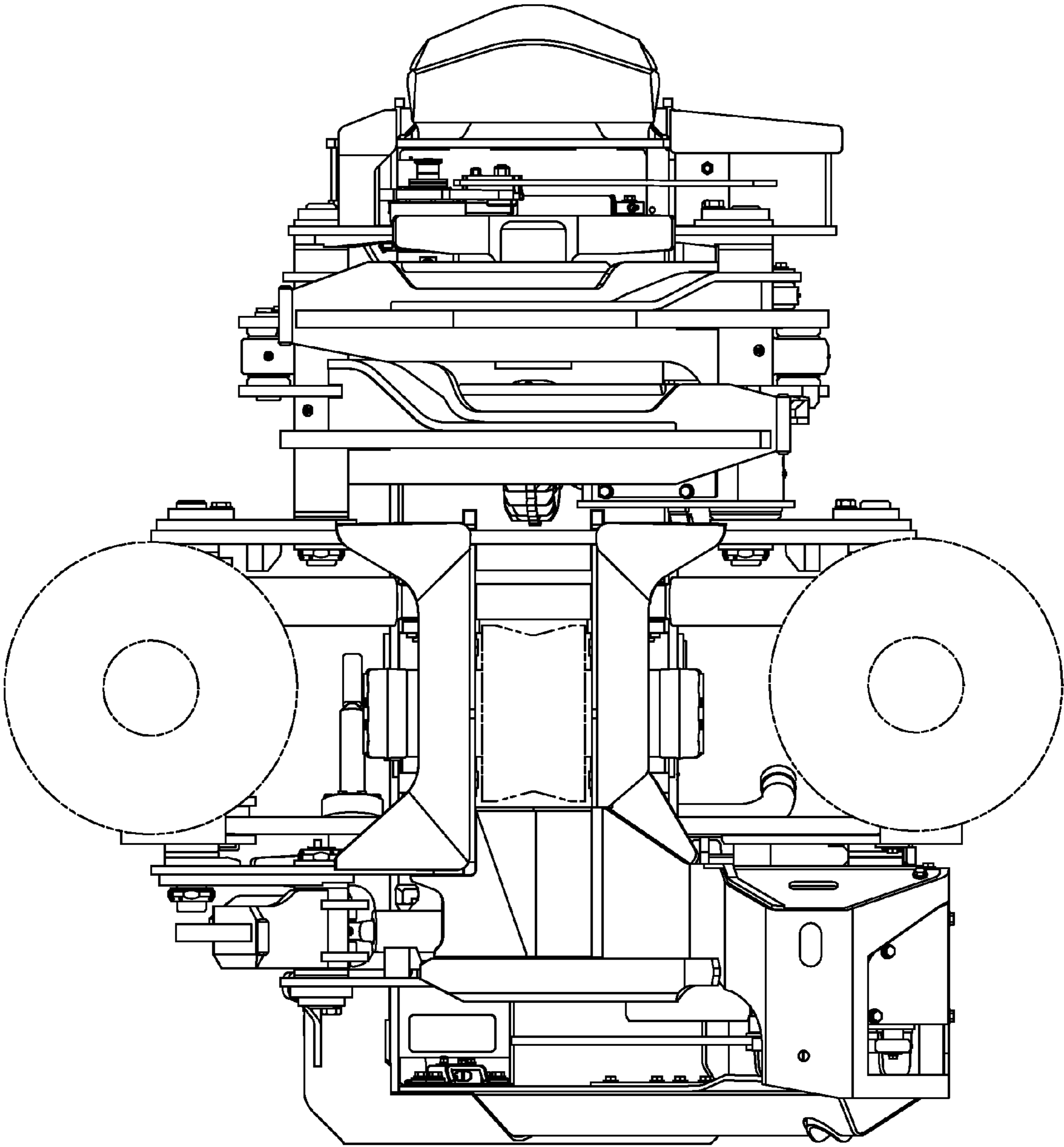


Fig. 2



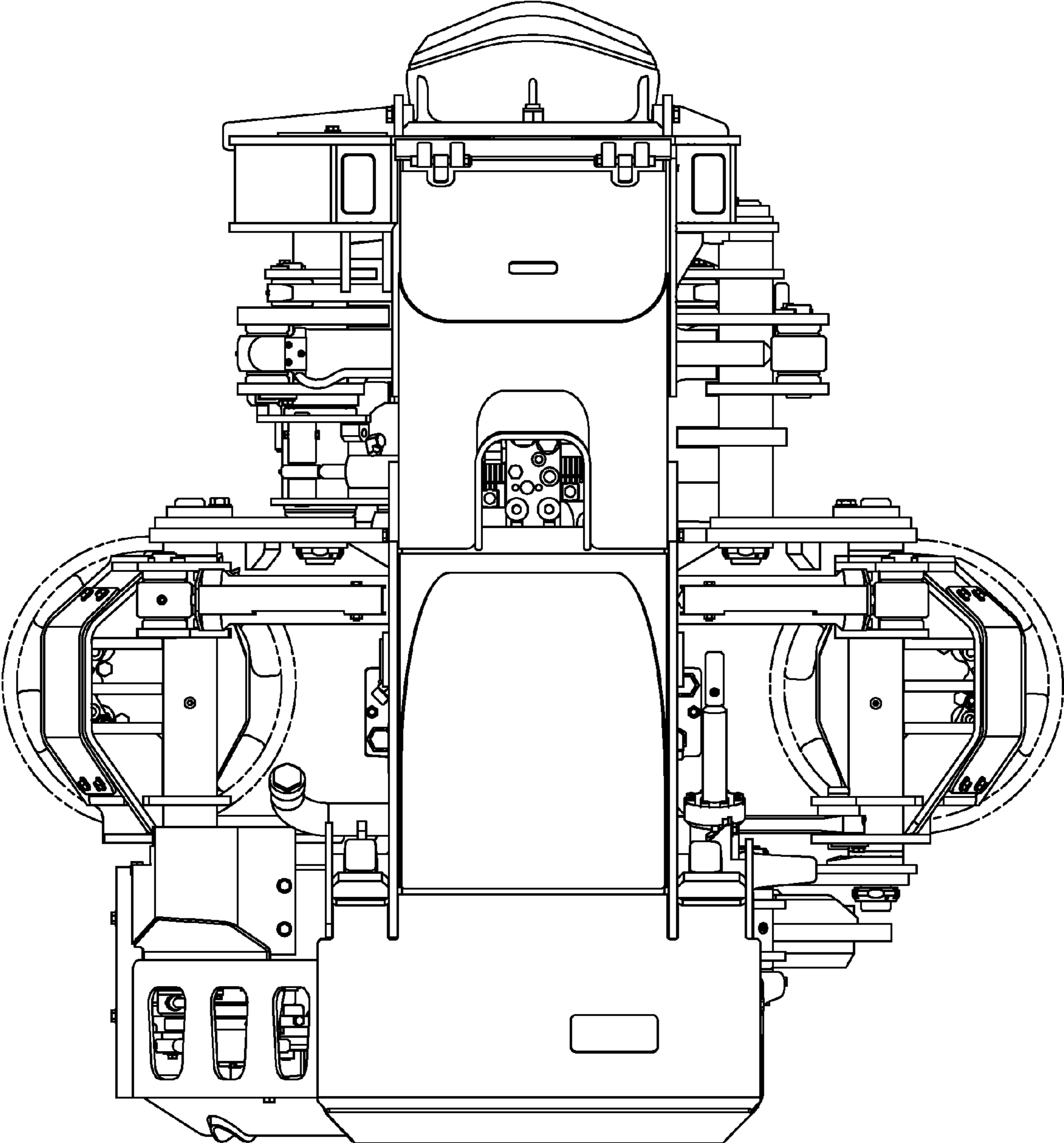
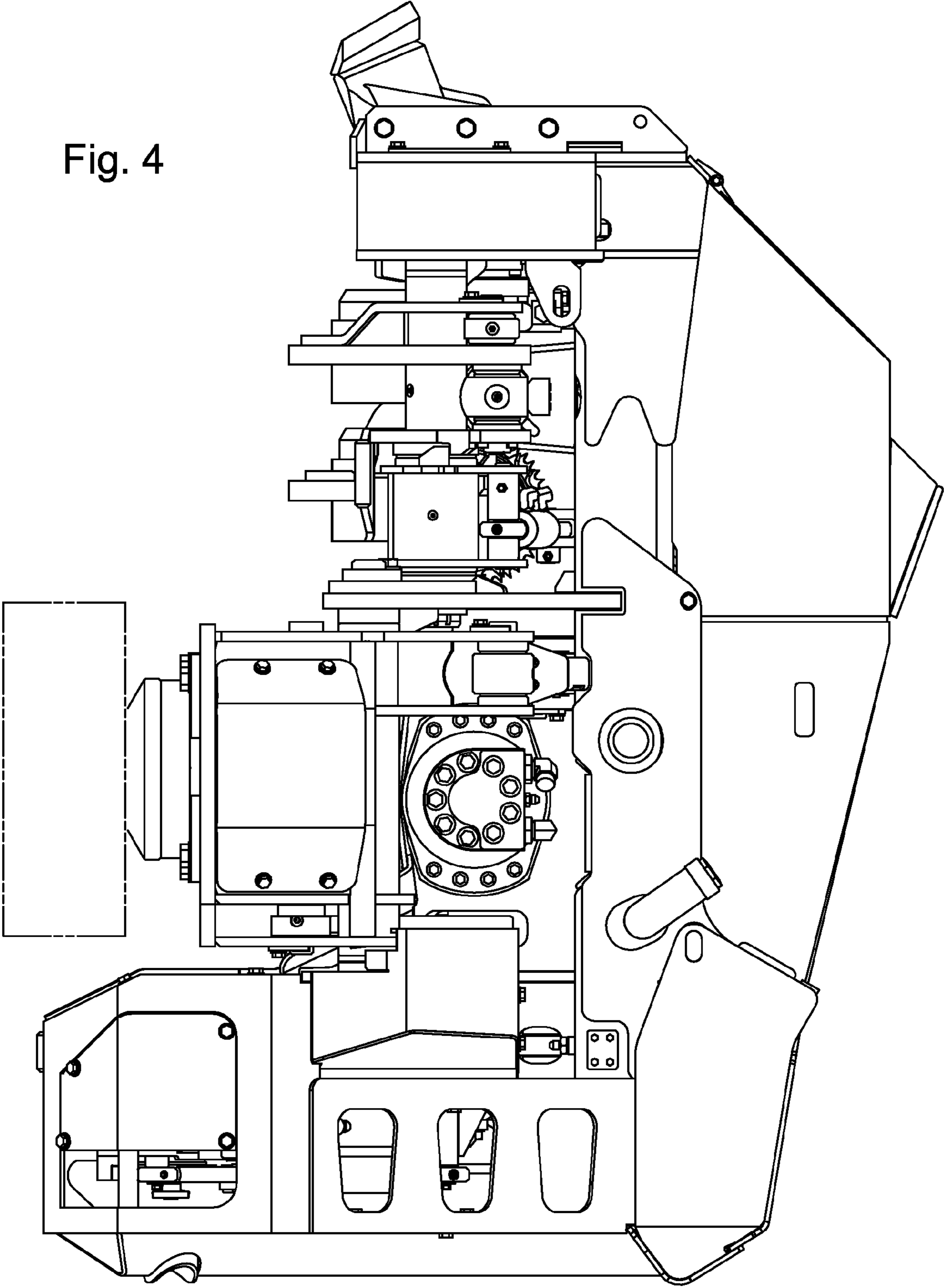


Fig. 3

Fig. 4



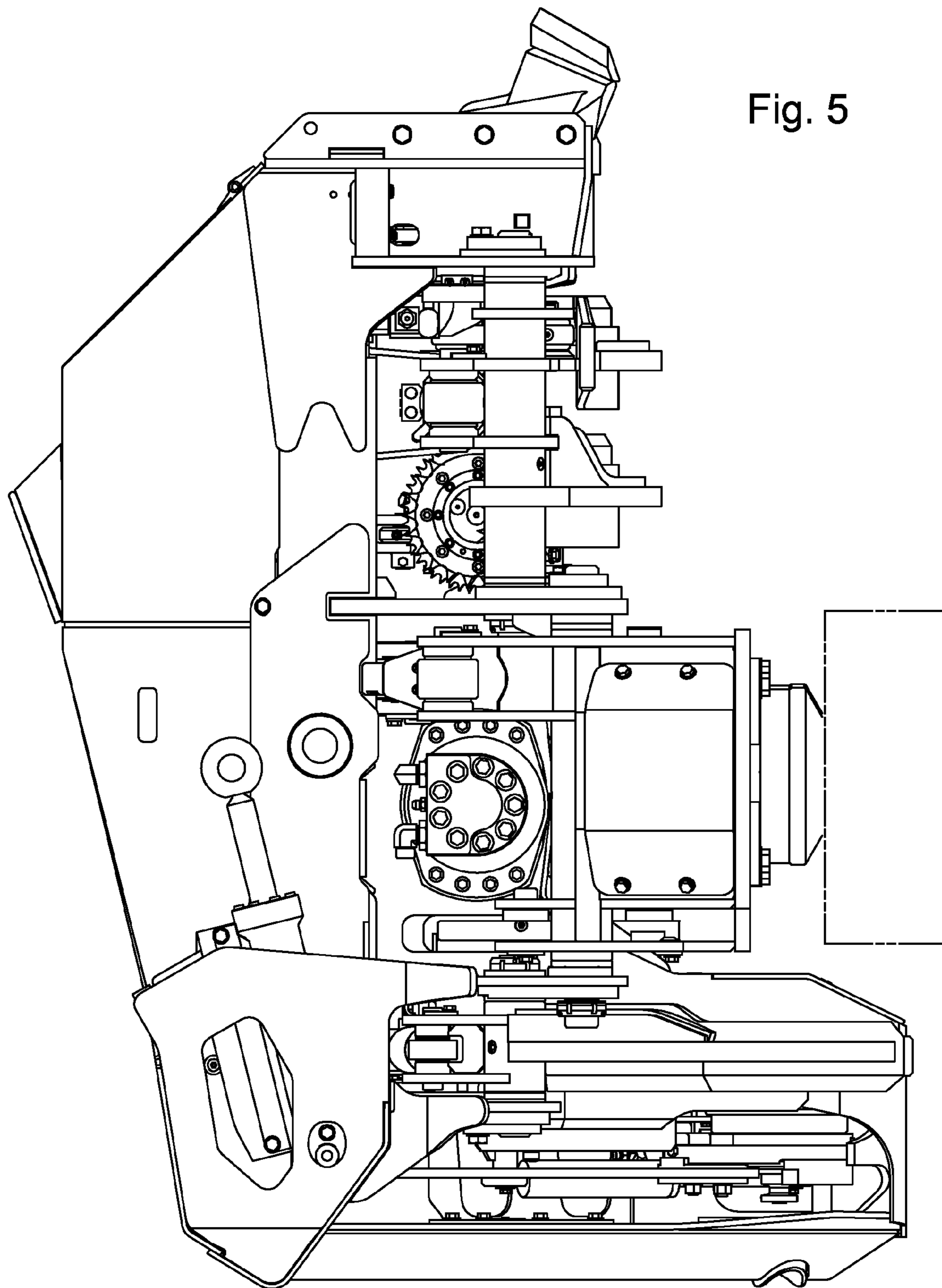


Fig. 5

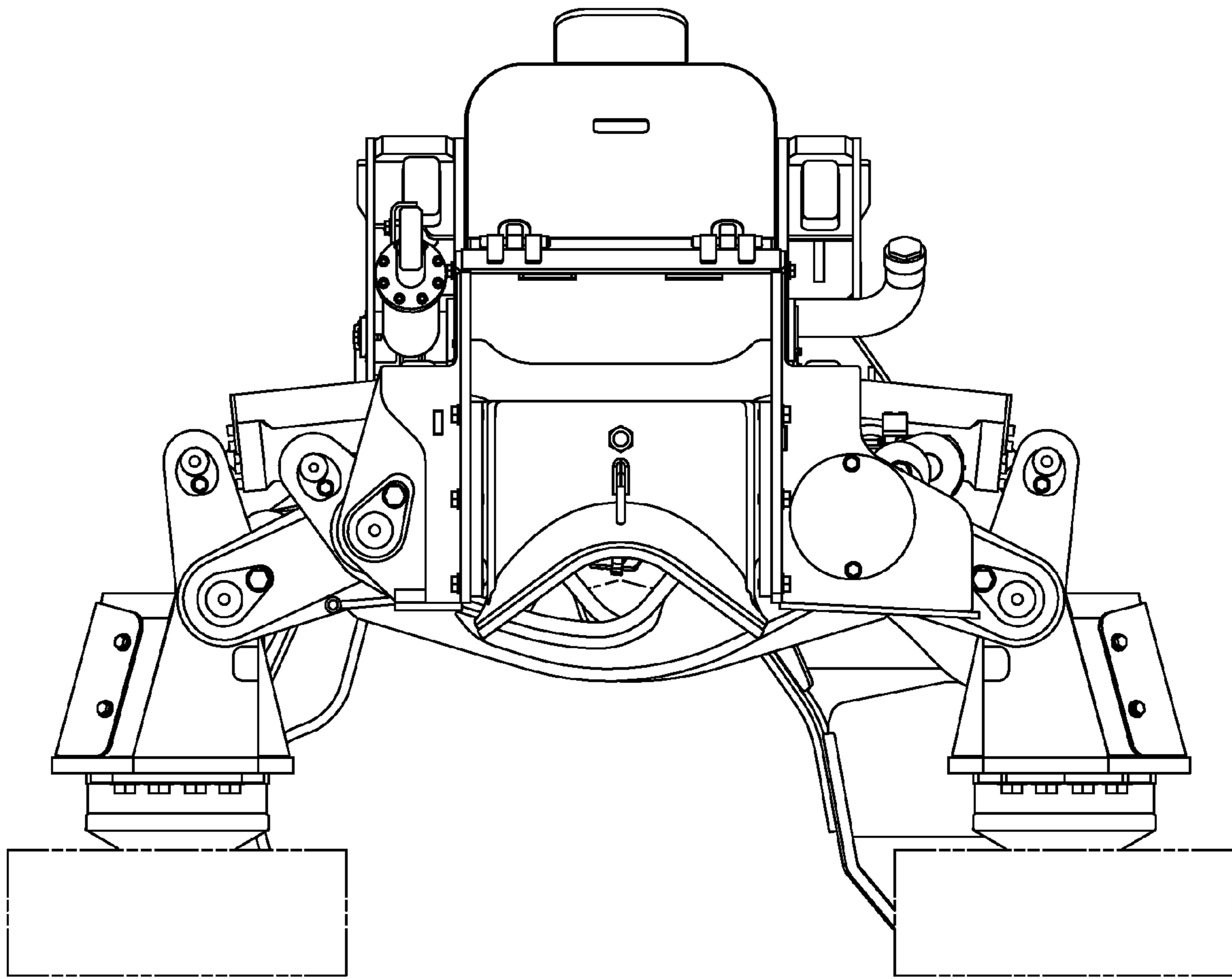


Fig. 6



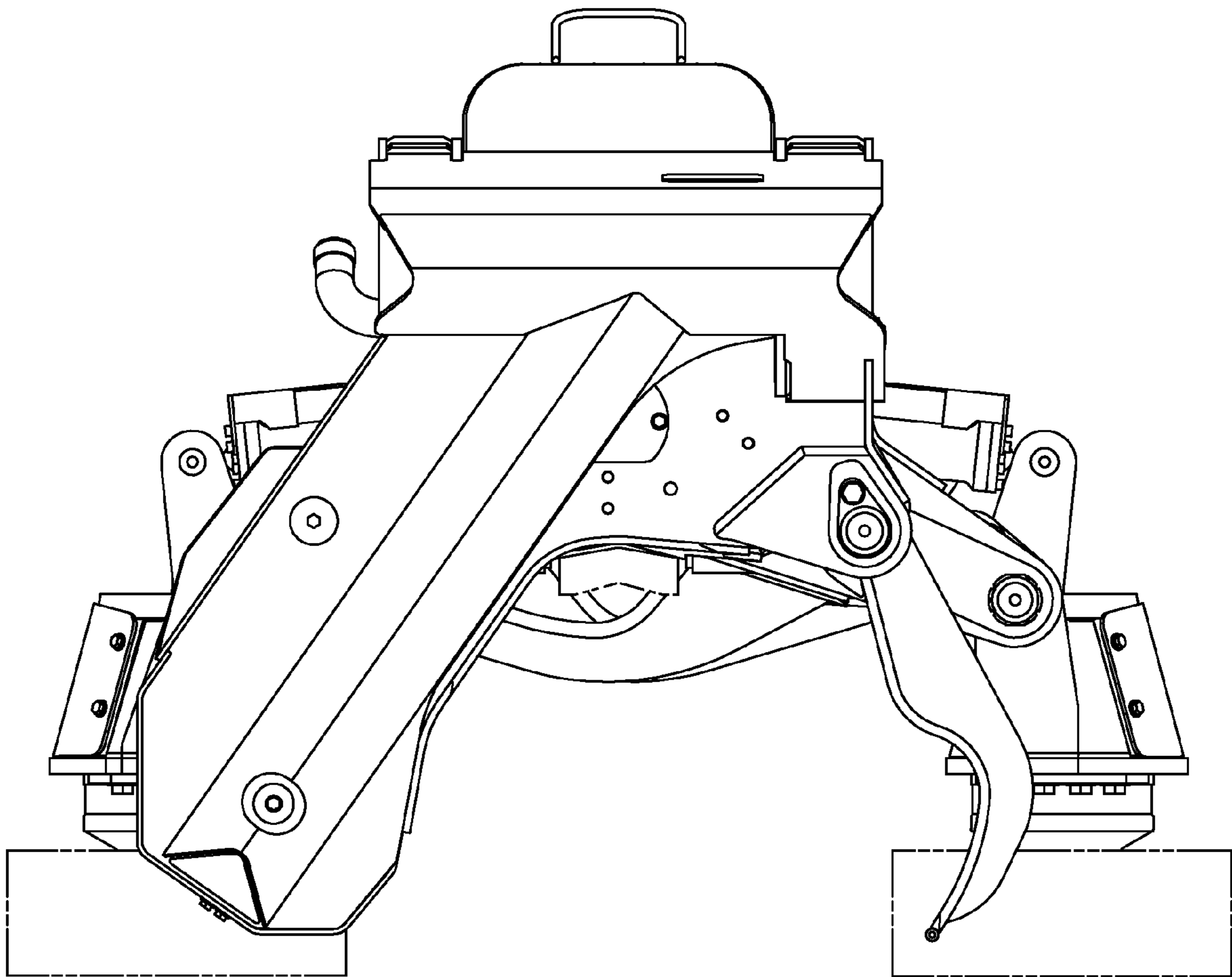


Fig. 7