



US00D618707S

(12) **United States Design Patent**
Schuetz et al.

(10) **Patent No.:** **US D618,707 S**
(45) **Date of Patent:** **** Jun. 29, 2010**

(54) **EXTENDED RUN WATER PUMP**

(75) Inventors: **John David Schuetz**, Owatonna, MN (US); **Matthew Robert Pilcher**, Owatonna, MN (US)

(73) Assignee: **Northern Tool & Equipment Company, Inc.**, Burnsville, MN (US)

(**) Term: **14 Years**

(21) Appl. No.: **29/341,382**

(22) Filed: **Aug. 4, 2009**

(51) **LOC (9) Cl.** **15-02**

(52) **U.S. Cl.** **D15/7**

(58) **Field of Classification Search** D15/7-9;
D23/231, 232, 225; 417/410.1, 359, 415-416,
417/234, 321, 265, 405

See application file for complete search history.

(56) **References Cited**

U.S. PATENT DOCUMENTS

D454,357 S *	3/2002	Diels	D15/7
D527,024 S *	8/2006	Happ et al.	D15/7
D541,305 S *	4/2007	Hernandez et al.	D15/9
D590,843 S *	4/2009	Averill et al.	D15/9
D603,872 S *	11/2009	Averill et al.	D15/9
D604,746 S *	11/2009	Nishido et al.	D15/7

OTHER PUBLICATIONS

NorthStar Generator—18HP, 10,000 Surge Watts, 8500 Rated Watts, Gasoline [online], [retrieved on Aug. 31, 2009]. Retrieved from the Northern Tool Online Catalog using Internet <URL: http://www.northerntool.com/webapp/wcs/stores/servlet/product_6970_200200124_200200124>.

Briggs & Stratton Portable Generator—305cc Engine, 6250 Surge Watts, 5000 Rated Watts, Model#030439 [online], [retrieved on Aug. 31, 2009]. Retrieved from Northern Tool Online Catalog using Internet <URL: http://www.northerntool.com/webapp/wcs/stores/servlet/product_6970_200373815_200373815>.

Generac GP 5000/6250 Watt Portable Generator [online], [retrieved on Aug. 31, 2009]. Retrieved from Alltools4less Online Catalog

using Internet <URL: http://www.alltools4less.com/store-products-GP5000-Generac-GP-5000-6250-Watt-Portable-Generator_41689449.html>.

NorthStar Gas-Powered Cold Water Pressure Washer—5000 PSI, 5 GPM [online], [retrieved on Aug. 31, 2009]. Retrieved from the Northern Tool Online Catalog using Internet <URL: http://www.northerntool.com/webapp/wcs/stores/servlet/product_6970_200312595_200312595>.

Cold Water Pressure Washers [online], [retrieved on Aug. 31, 2009]. Retrieved from Landa Cleaning Systems Online Catalog using Internet <URL: <http://www.landa.com/showproducttypes.aspx?power=9&type=2>>.

3800 PSI / 4.0 GPM Commercial Pressure Washer [online], [retrieved on Aug. 31, 2009]. Retrieved from Ridgid Professional Tools Online Catalog using Internet <URL: <http://www.ridgid.com/Tools/RD80770-Pressure-Washer/EN/index.htm>>.

(Continued)

Primary Examiner—Ralf Seifert

(74) *Attorney, Agent, or Firm*—Patterson Thuente Christensen Pedersen PA

(57) **CLAIM**

The ornamental design for an extended run water pump, as shown and described.

DESCRIPTION

FIG. 1 is a perspective view of an extended run water pump showing our new design;

FIG. 2 is a front plan view thereof;

FIG. 3 is a rear plan view thereof;

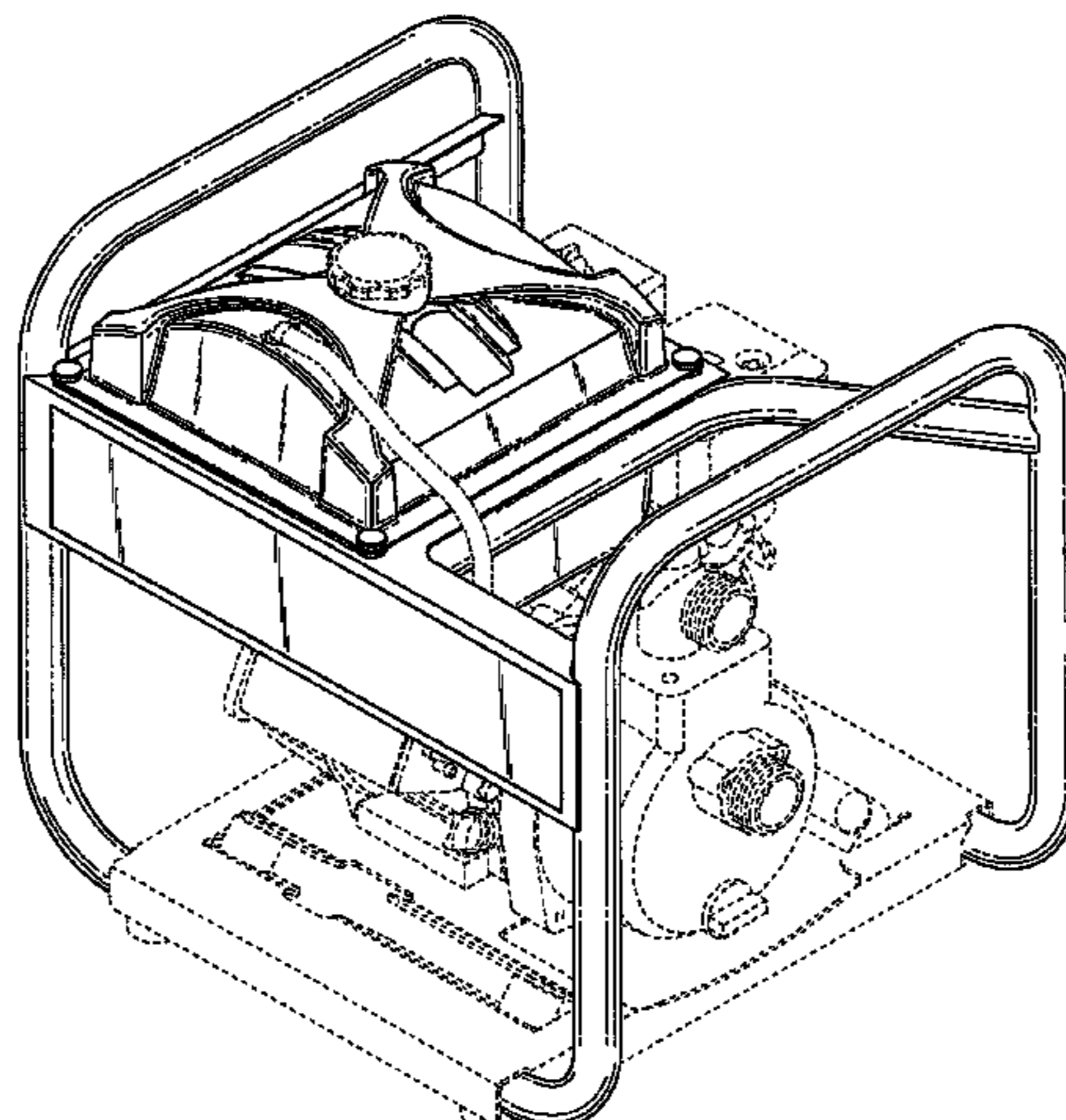
FIG. 4 is a right side elevational view thereof;

FIG. 5 is a left side elevational view thereof;

FIG. 6 is a top plan view thereof; and,

FIG. 7 is a bottom plan view thereof.

1 Claim, 7 Drawing Sheets



OTHER PUBLICATIONS

Multiquip Water Pumps [online], [retrieved on Aug. 31, 2009]. Retrieved from Southwest Trading Online Catalog using Internet <URL: http://www.portable-electric-power-generators.com/p_mq_power_multiquip_water_pump.htm>.

Pressure Washers [online], [retrieved on Aug. 31, 2009]. Retrieved from Mighty-Quip Online Catalog using Internet <URL: <http://mighty-quip.com/products.asp?c=3>>.

3" Diesel Water Pump [online], [retrieved on Aug. 31, 2009]. Retrieved from Hongyan Jiang Online Catalog using Internet <URL: http://hongyan-jiang.amazonwebstore.com/3-Diesel-Water-Pump/M/B000VI8VLQ.htm?traffic_src=froogle&utm_medium=organic&utm_source=froogle>.

Diesel Semi-Trash Pump: DP2C-4 [online], [retrieved on Aug. 31, 2009]. Retrieved from Tuff Equip Online Catalog using Internet <URL: www.tuffequip.com/DieselTrashPump.htm>.

Australian Pump Industries releases B4XRA semi-trash pump [online], [retrieved on Aug. 31, 2009]. Retrieved from Ferret Online Catalog using Internet <URL: <http://www.ferret.com.au/c/Australian-Pump-Industries/Australian-Pump-Industries-releases-B4XRA-semi-trash-pump-n673473>>.

DP3CLE-4 [online], [retrieved on Aug. 31, 2009]. Retrieved from International Power Products Online Catalog using Internet <URL: <http://www.internationalpowerproducts.com/DPC3LE.html>>.

CE Approved Water Pump (KDP50B/L/LE) [online], [retrieved on Aug. 31, 2009]. Retrieved from Changzhou Koop Power Machinery Co., Ltd. Online Catalog using Internet <URL: <http://www.made-in-china.com/showroom/czkoopchina/product-detailnqBJlwVEXLWj/China-CE-Approved-Water-Pump-KDP50B-L-LE.html>>.

* cited by examiner

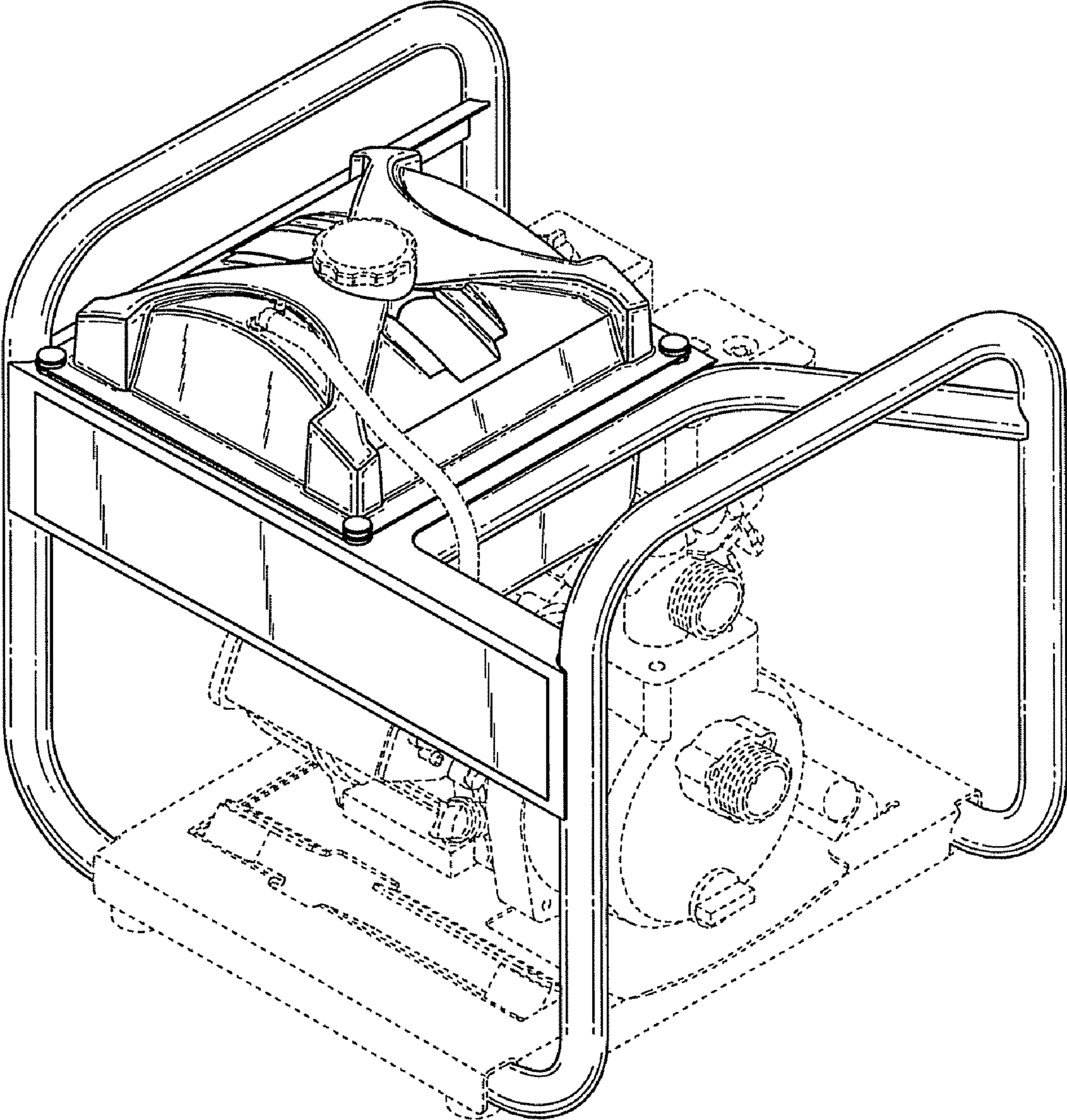


Fig. 1

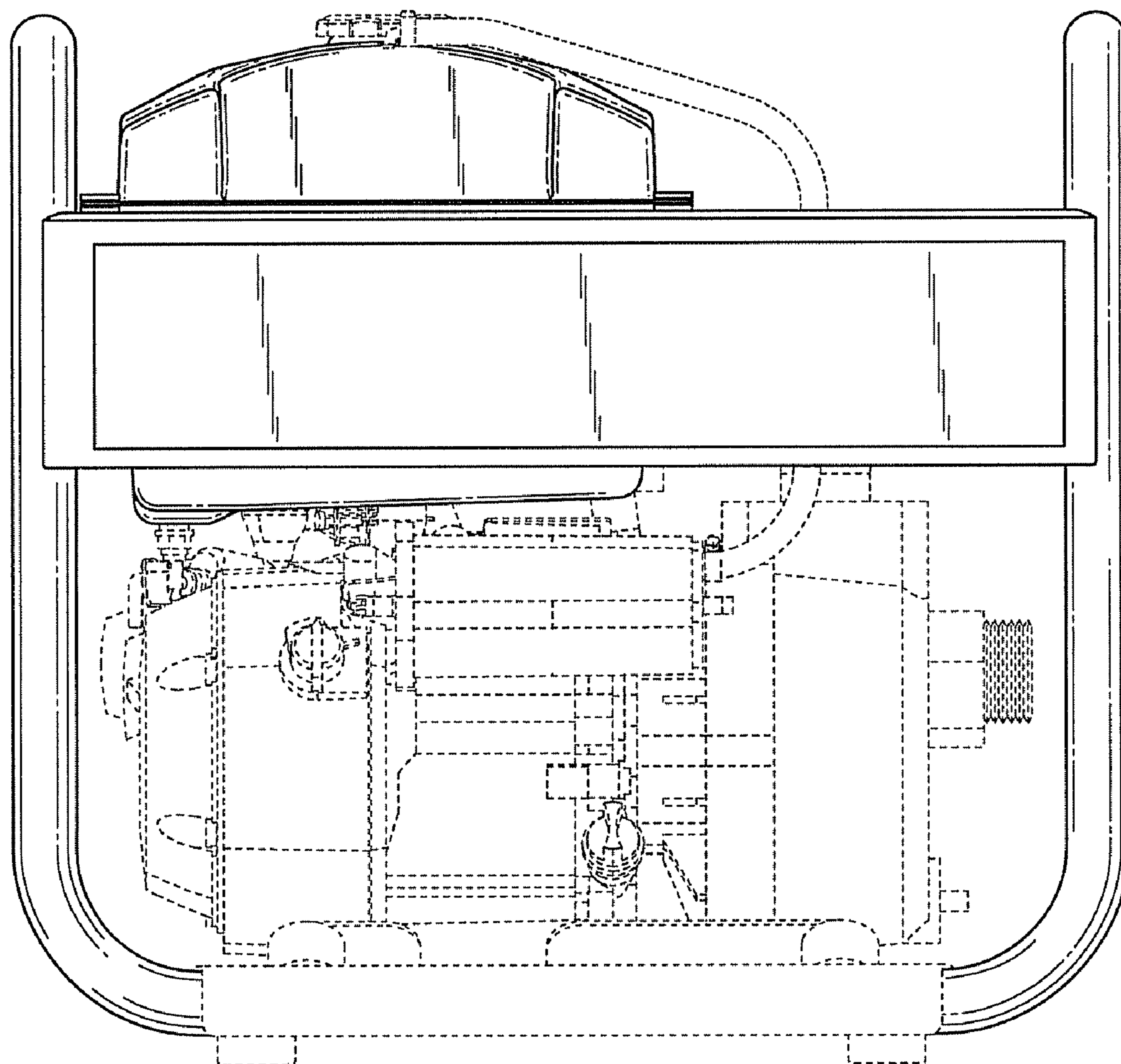


Fig. 2

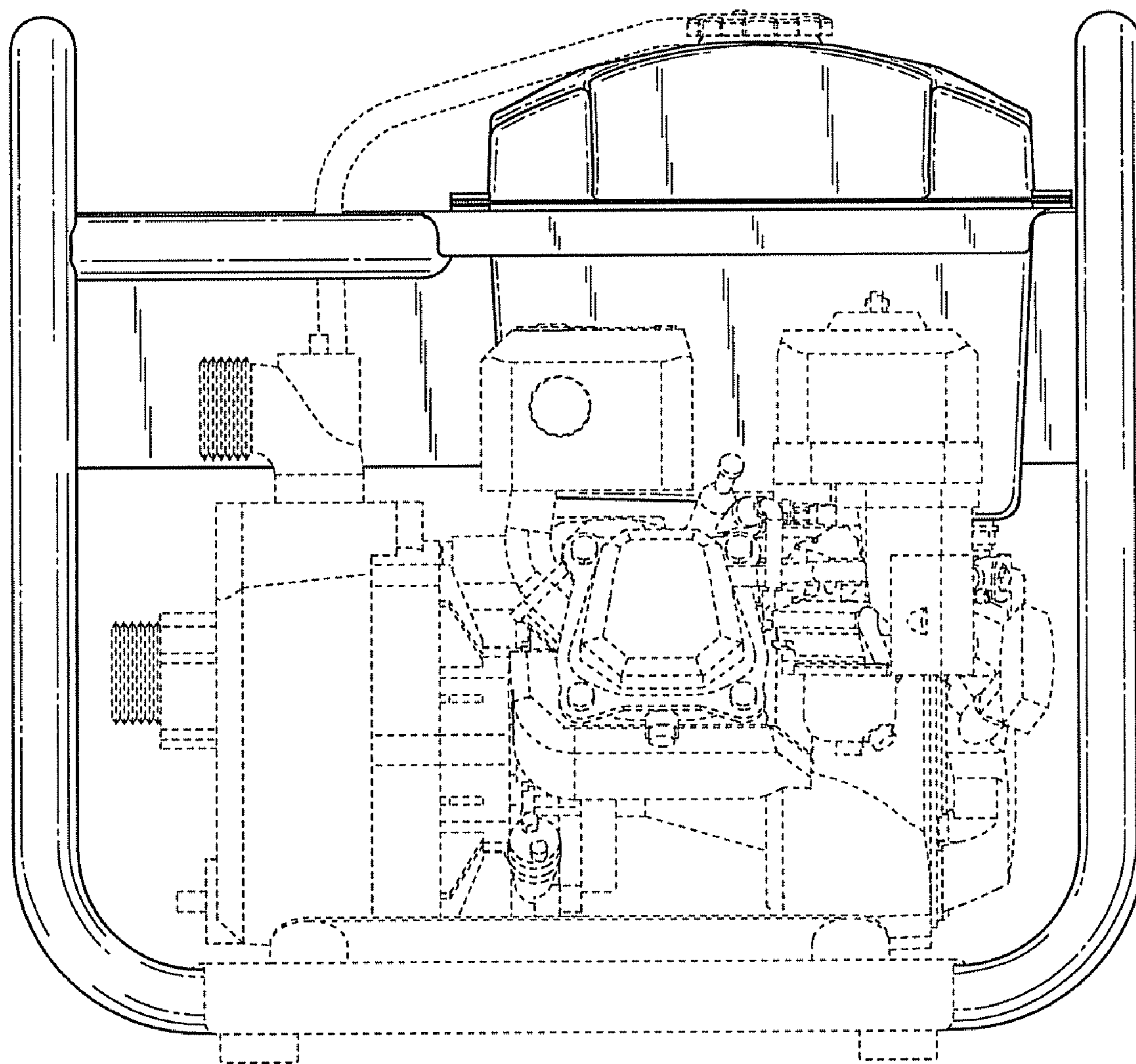


Fig. 3

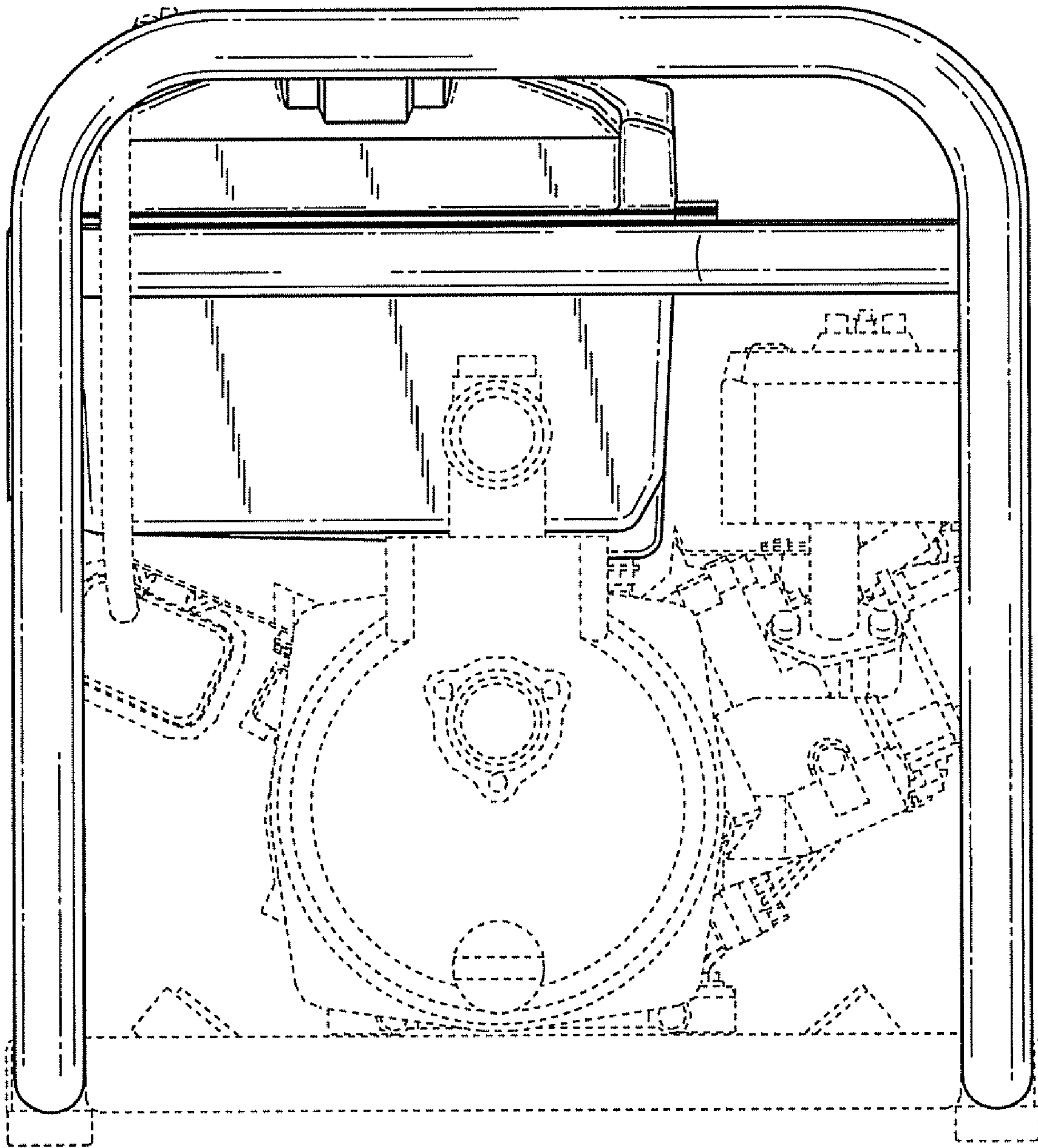


Fig. 4

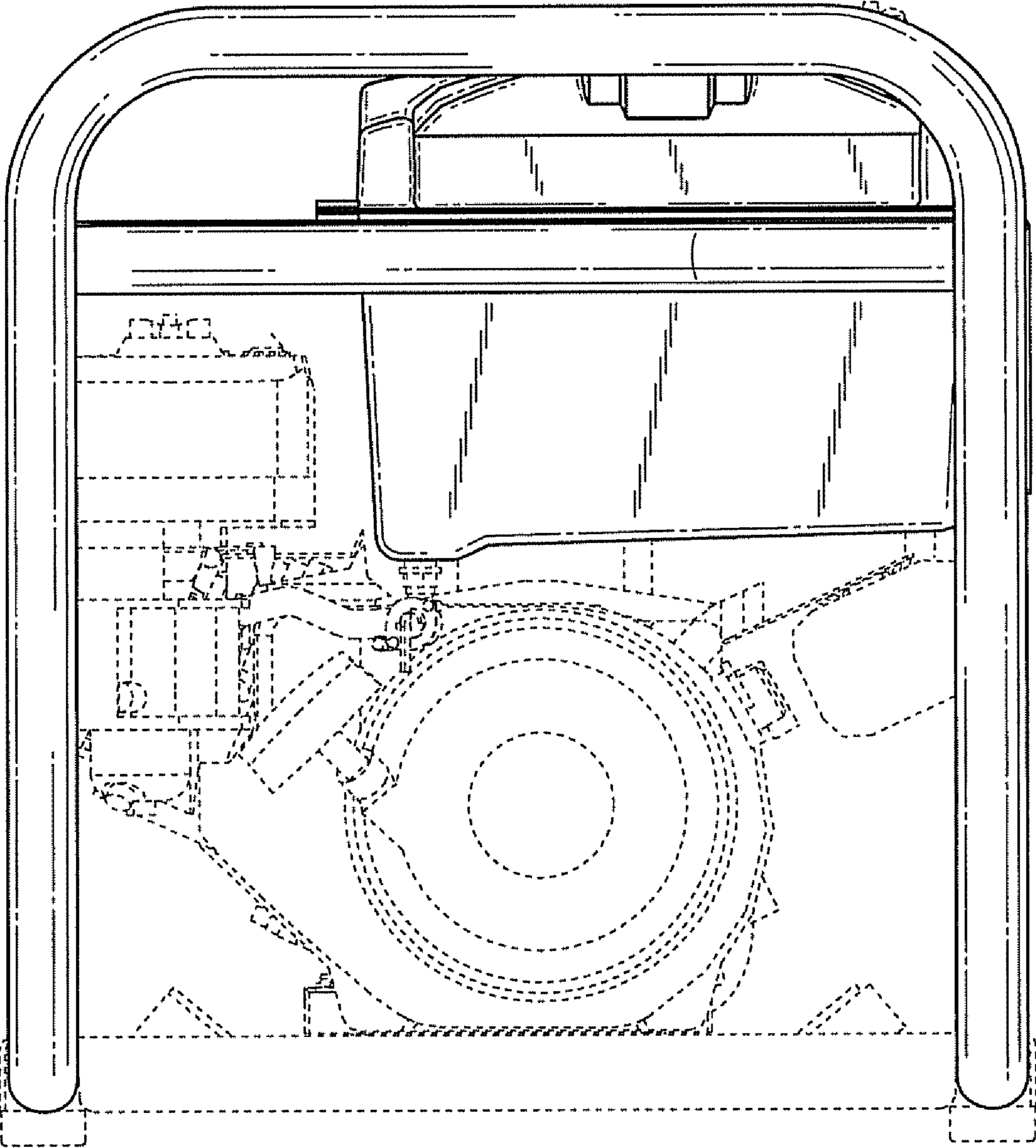


Fig. 5

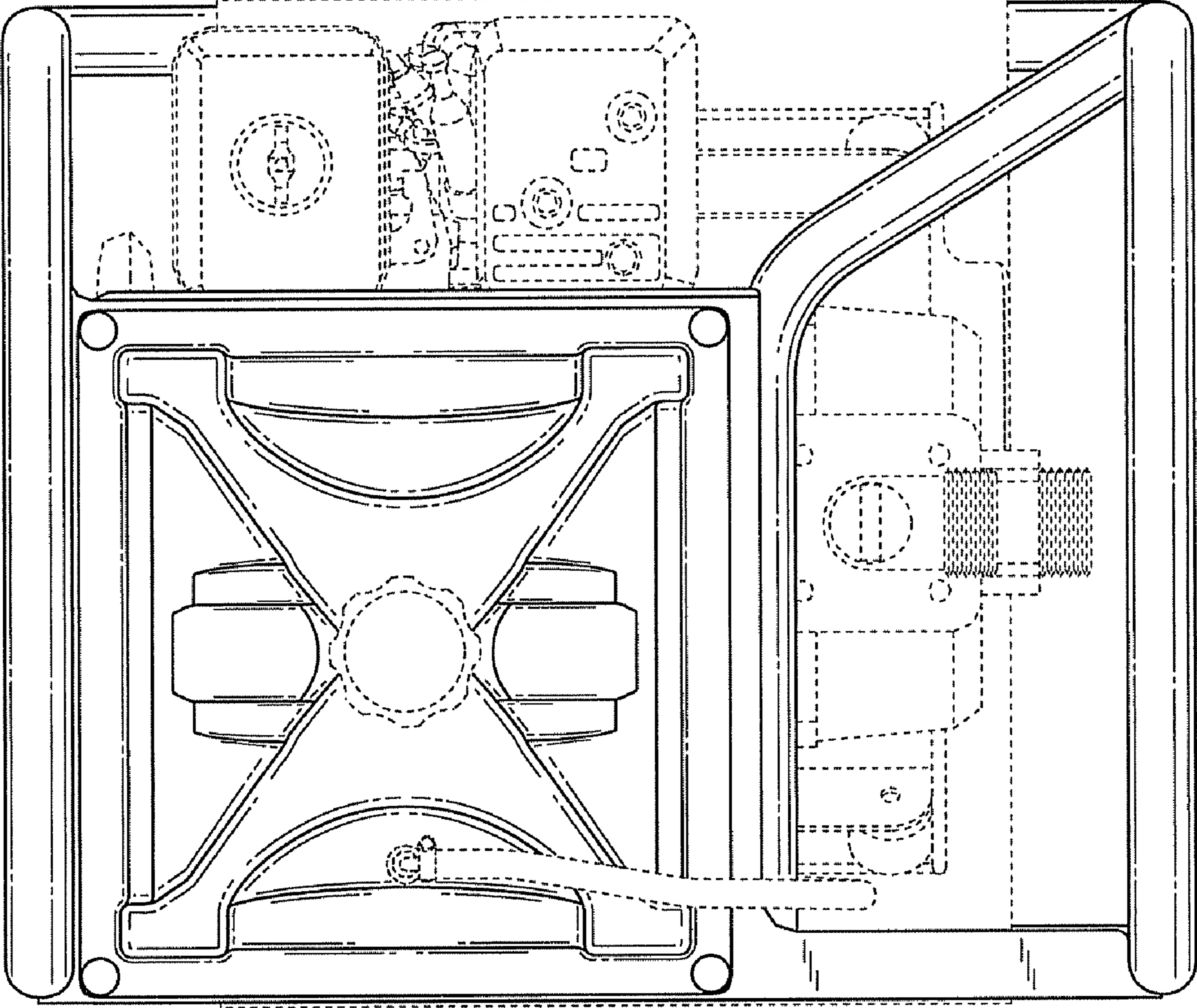


Fig. 6

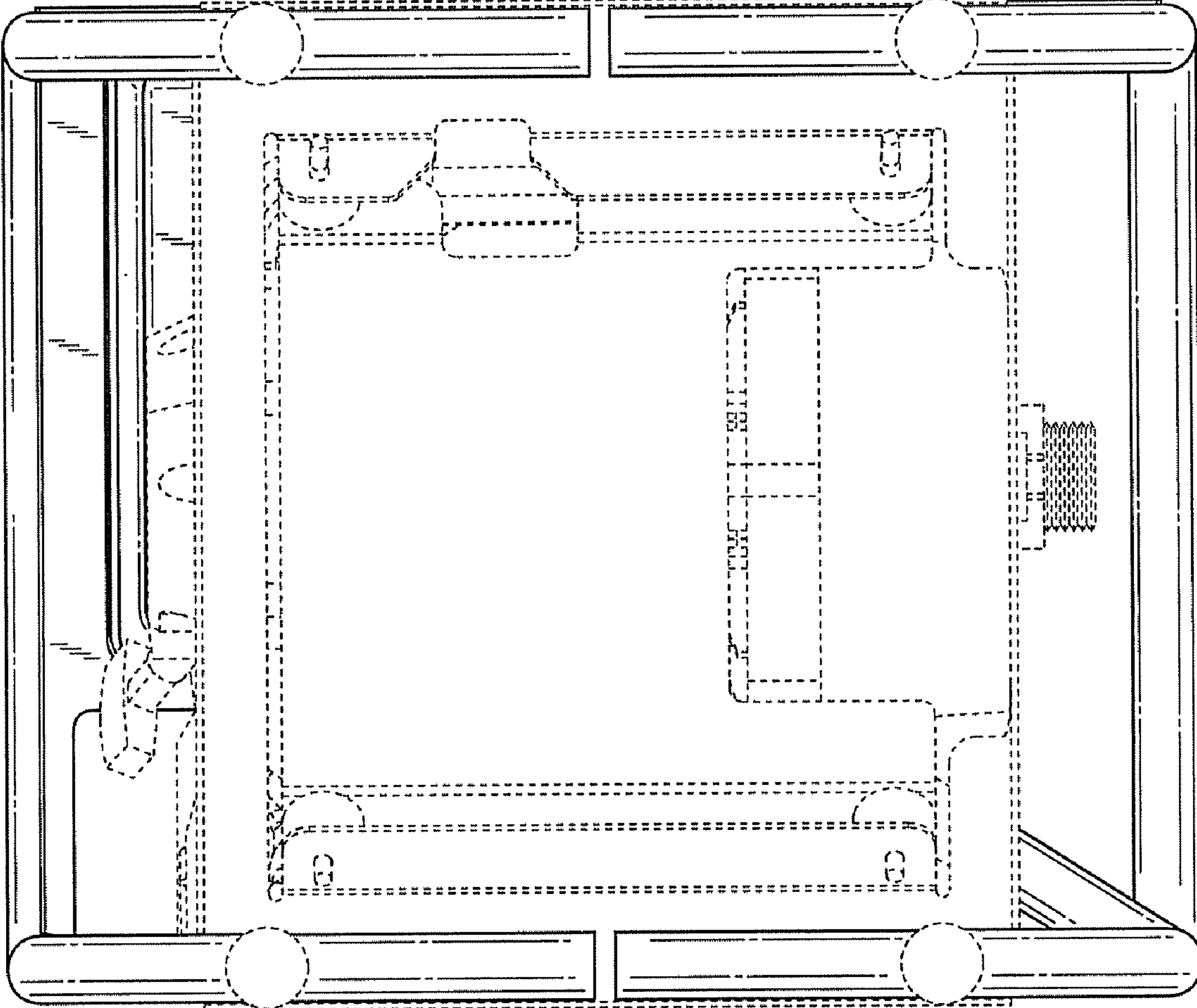


Fig. 7