



US00D618706S

(12) **United States Design Patent**
Coleman et al.

(10) **Patent No.:** **US D618,706 S**
(45) **Date of Patent:** **** Jun. 29, 2010**

(54) **PUMP COVER**

(75) Inventors: **Brian Coleman**, Hawthorn Woods, IL (US); **Mike Joss**, Chicago, IL (US)

(73) Assignee: **Aero Products International, Inc.**, Schaumburg, IL (US)

(**) Term: **14 Years**

(21) Appl. No.: **29/340,487**

(22) Filed: **Jul. 20, 2009**

(51) **LOC (9) Cl.** **15-02**

(52) **U.S. Cl.** **D15/7**

(58) **Field of Classification Search** D15/7-9;
D23/231, 232, 225; 417/410.1, 359, 415-416,
417/234, 321, 265, 405; D6/392, 604, 606
See application file for complete search history.

(56) **References Cited**

U.S. PATENT DOCUMENTS

D339,479	S *	9/1993	Anderson	D6/392
5,746,873	A	5/1998	Graf		
5,904,172	A	5/1999	Gifft		
6,283,056	B1	9/2001	Tchaikovsky		
6,287,095	B1	9/2001	Saputo		
6,332,760	B1	12/2001	Chung		
D464,225	S *	10/2002	Boso et al.	D6/604
6,701,559	B2	3/2004	Boso		
D554,151	S *	10/2007	Lau	D15/7
D570,881	S *	6/2008	Lau	D15/7

2001/0044969	A1	11/2001	Chaffee
2002/0194678	A1	12/2002	Chung
2003/0024050	A1	2/2003	Boso
2003/0188388	A1	10/2003	Boso
2004/0074004	A1	4/2004	Boso
2004/0117912	A1	6/2004	Chung
2004/0123394	A1	7/2004	Wang
2004/0123395	A1	7/2004	Wang
2004/0123396	A1	7/2004	Wang
2004/0244116	A1	12/2004	Chung

* cited by examiner

Primary Examiner—Ralf Seifert

(74) *Attorney, Agent, or Firm*—Brinks Hofer Gilson & Lione

(57) **CLAIM**

We claim the ornamental design for a pump cover, as shown and described.

DESCRIPTION

FIG. 1 is a front perspective view of a pump cover;

FIG. 2 is a front view thereof

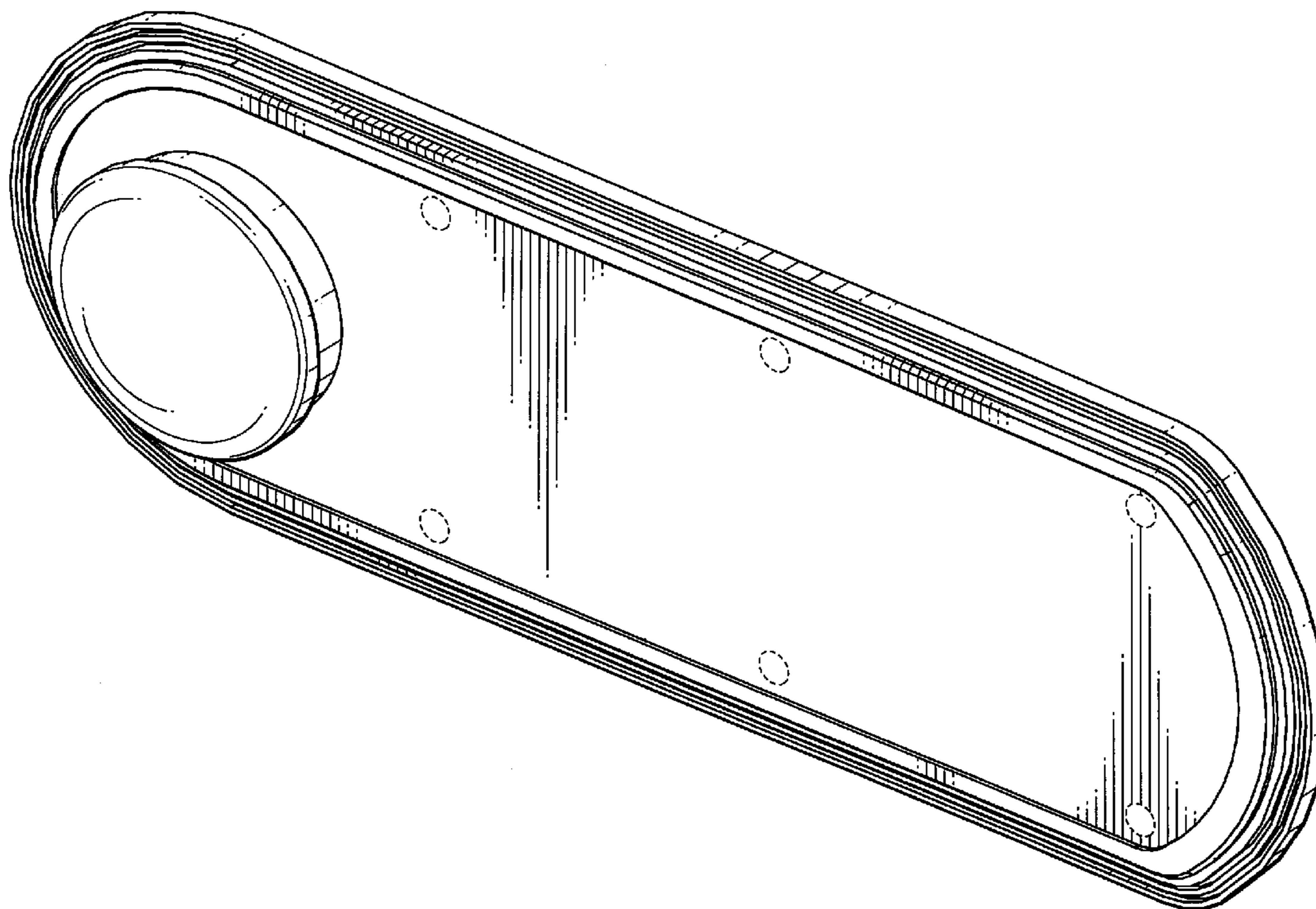
FIG. 3 is a top view thereof;

FIG. 4 is a side view thereof; and,

FIG. 5 is a front perspective view of the pump cover attached to an air mattress.

The broken lines in the Figures form no part of the claimed design.

1 Claim, 4 Drawing Sheets



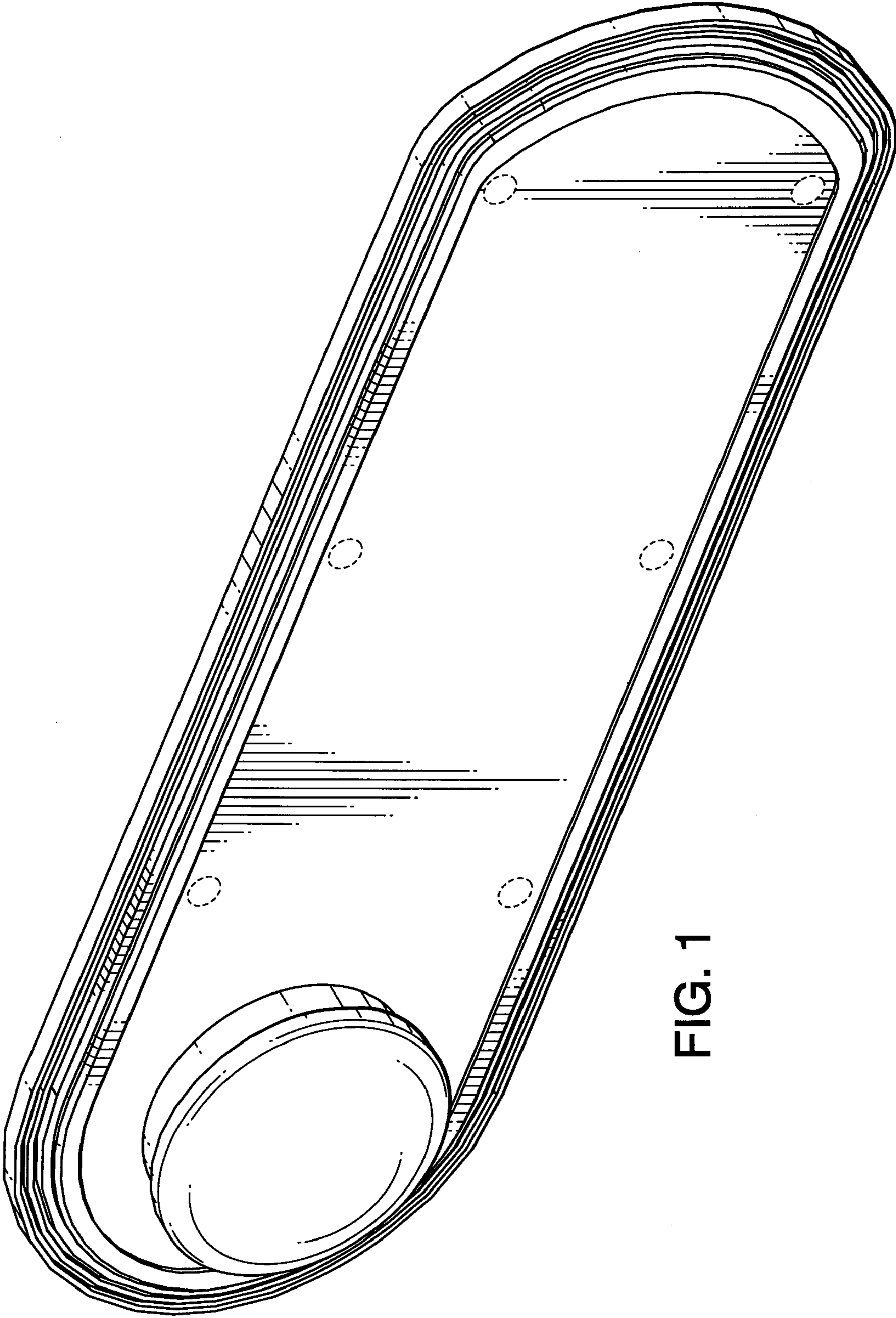


FIG. 1

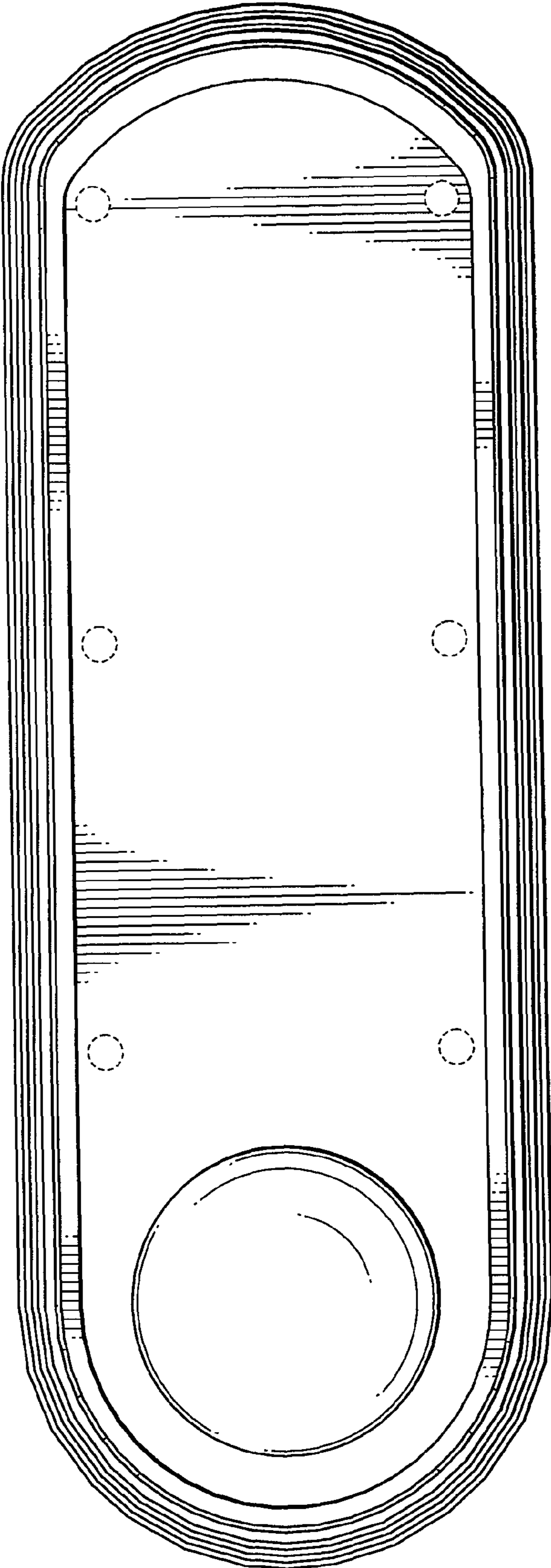


FIG. 2

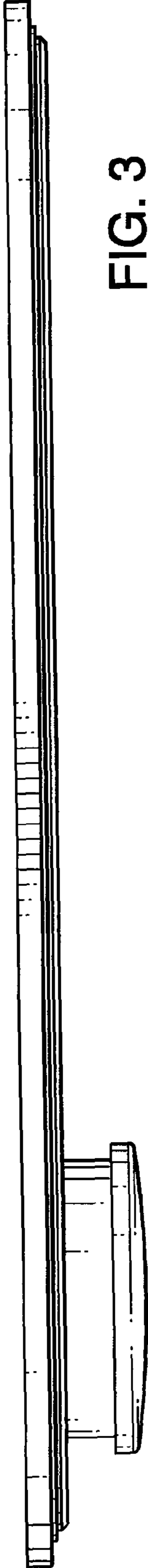


FIG. 3

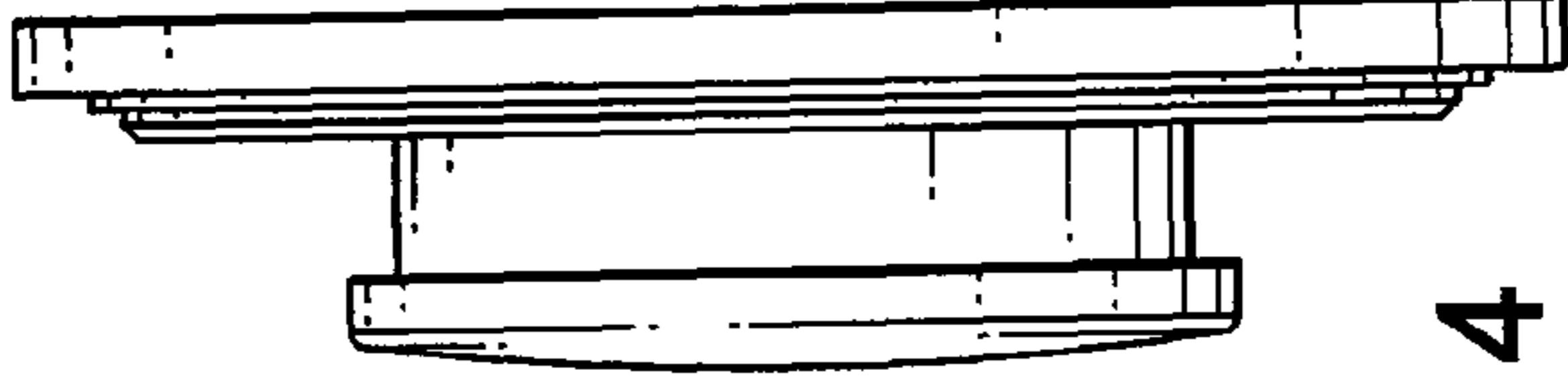


FIG. 4

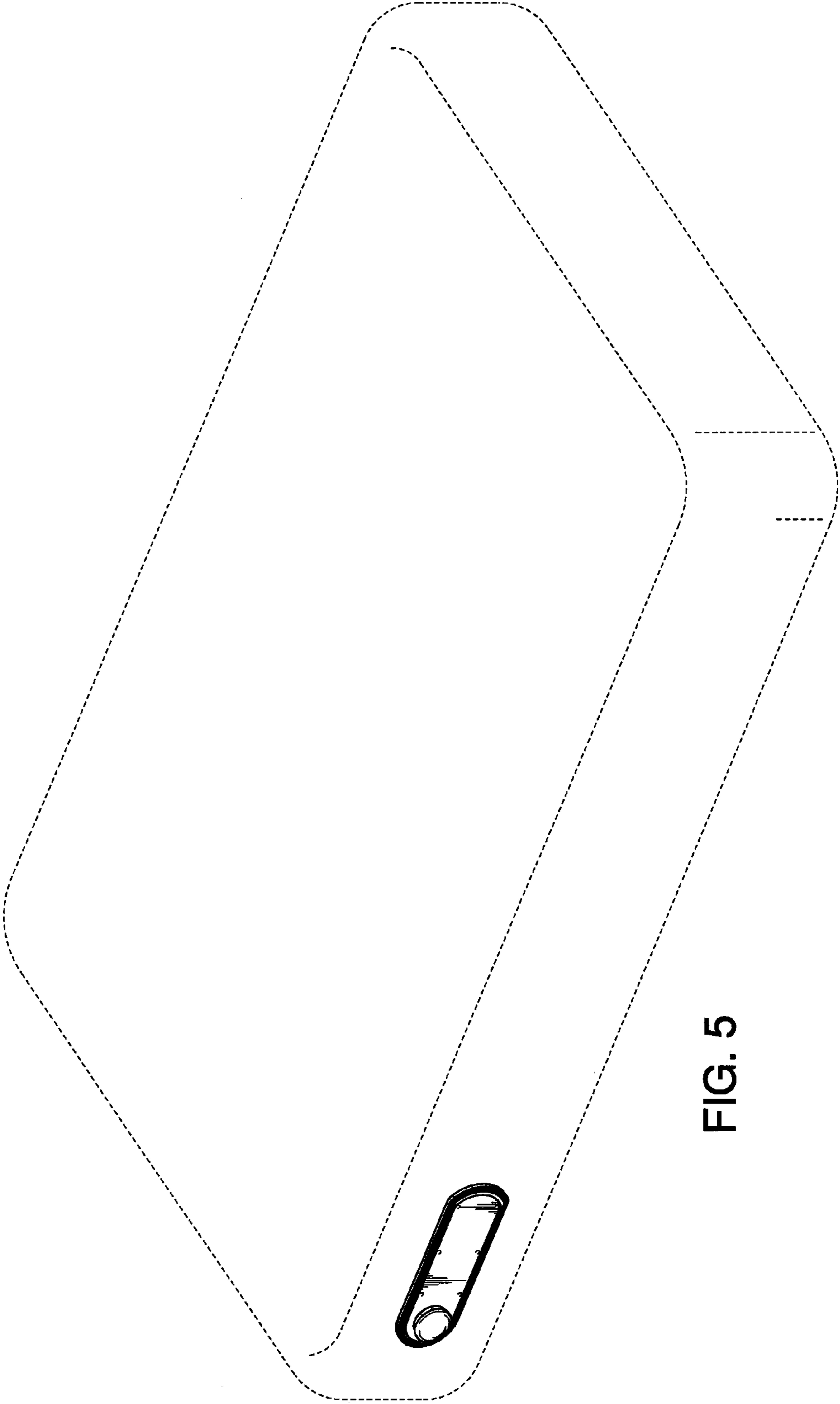


FIG. 5