



US00D618705S

(12) **United States Design Patent**
Sadachika

(10) **Patent No.:** **US D618,705 S**

(45) **Date of Patent:** **** Jun. 29, 2010**

(54) **DIAPHRAGM PUMP**

(75) Inventor: **Tetsuo Sadachika**, Tsukubamirai (JP)

(73) Assignee: **SMC Corporation**, Chiyoda-ku, Tokyo (JP)

(**) Term: **14 Years**

(21) Appl. No.: **29/338,821**

(22) Filed: **Jun. 18, 2009**

(30) **Foreign Application Priority Data**

Dec. 26, 2008 (JP) 2008-033089

(51) **LOC (9) Cl.** **15-02**

(52) **U.S. Cl.** **D15/7**

(58) **Field of Classification Search** D15/7-9;
D23/231, 232, 225; 417/410.1, 359, 415-416,
417/234, 321, 265, 405

See application file for complete search history.

(56) **References Cited**

U.S. PATENT DOCUMENTS

D345,700 S * 4/1994 Takashima D10/24

D345,740 S * 4/1994 Clark D15/9

D436,360 S * 1/2001 Murayama D15/7

* cited by examiner

Primary Examiner—Ralf Seifert

(74) *Attorney, Agent, or Firm*—Yokoi & Co., U.S.A., Inc.;
Toshiyuki Yokoi

(57) **CLAIM**

The ornamental design for a diaphragm pump, shown and described.

DESCRIPTION

FIG. 1 shows a front view of a diaphragm pump showing my new design;

FIG. 2 shows a rear view thereof;

FIG. 3 shows a right side view thereof;

FIG. 4 shows a left side view thereof;

FIG. 5 shows a top view thereof;

FIG. 6 shows a bottom view thereof;

FIG. 7 shows a top, front and right side perspective view thereof;

FIG. 8 shows a bottom, rear and left side perspective view thereof; and,

FIG. 9 shows a top, rear and left side perspective view thereof.

1 Claim, 5 Drawing Sheets

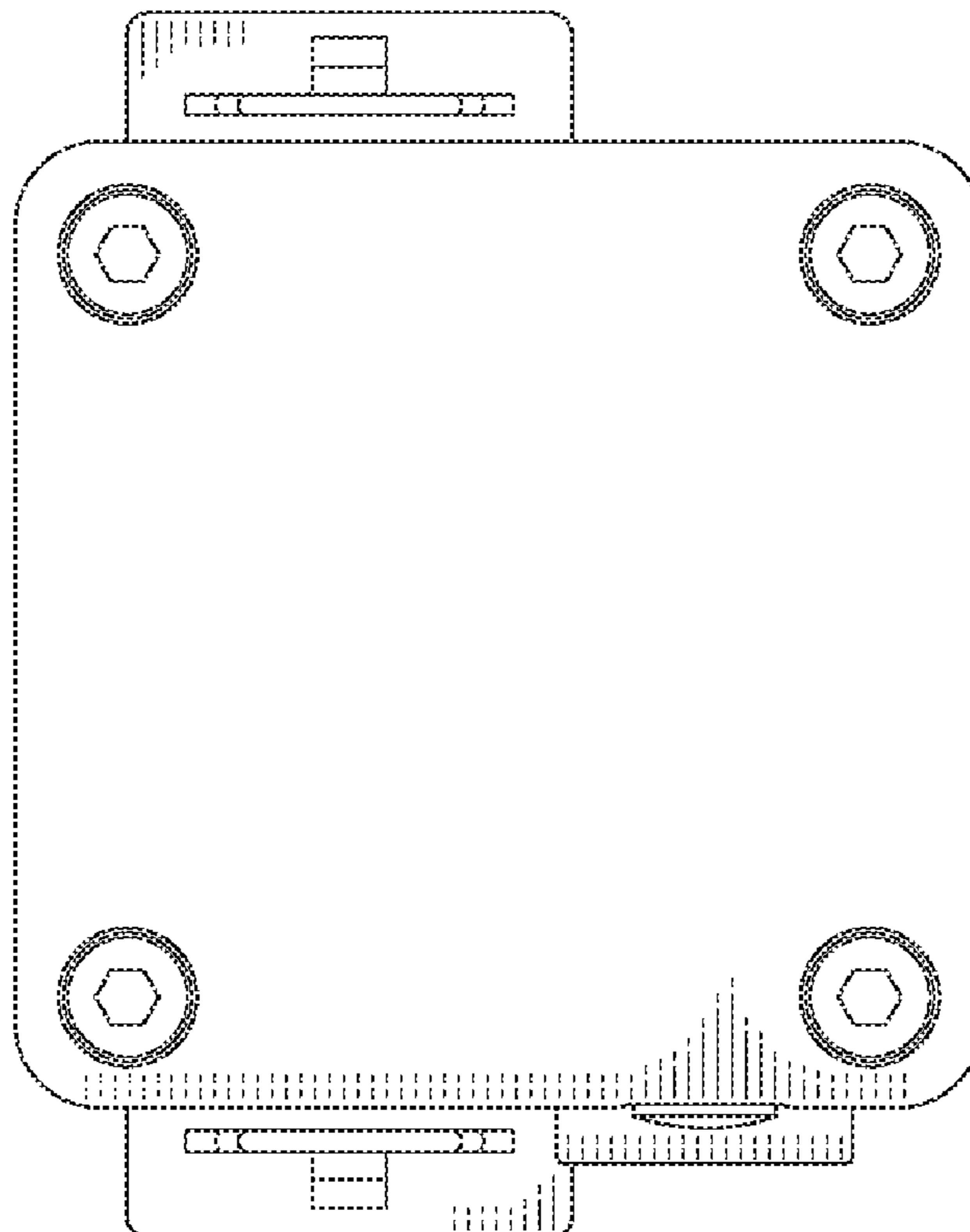


FIG. 1

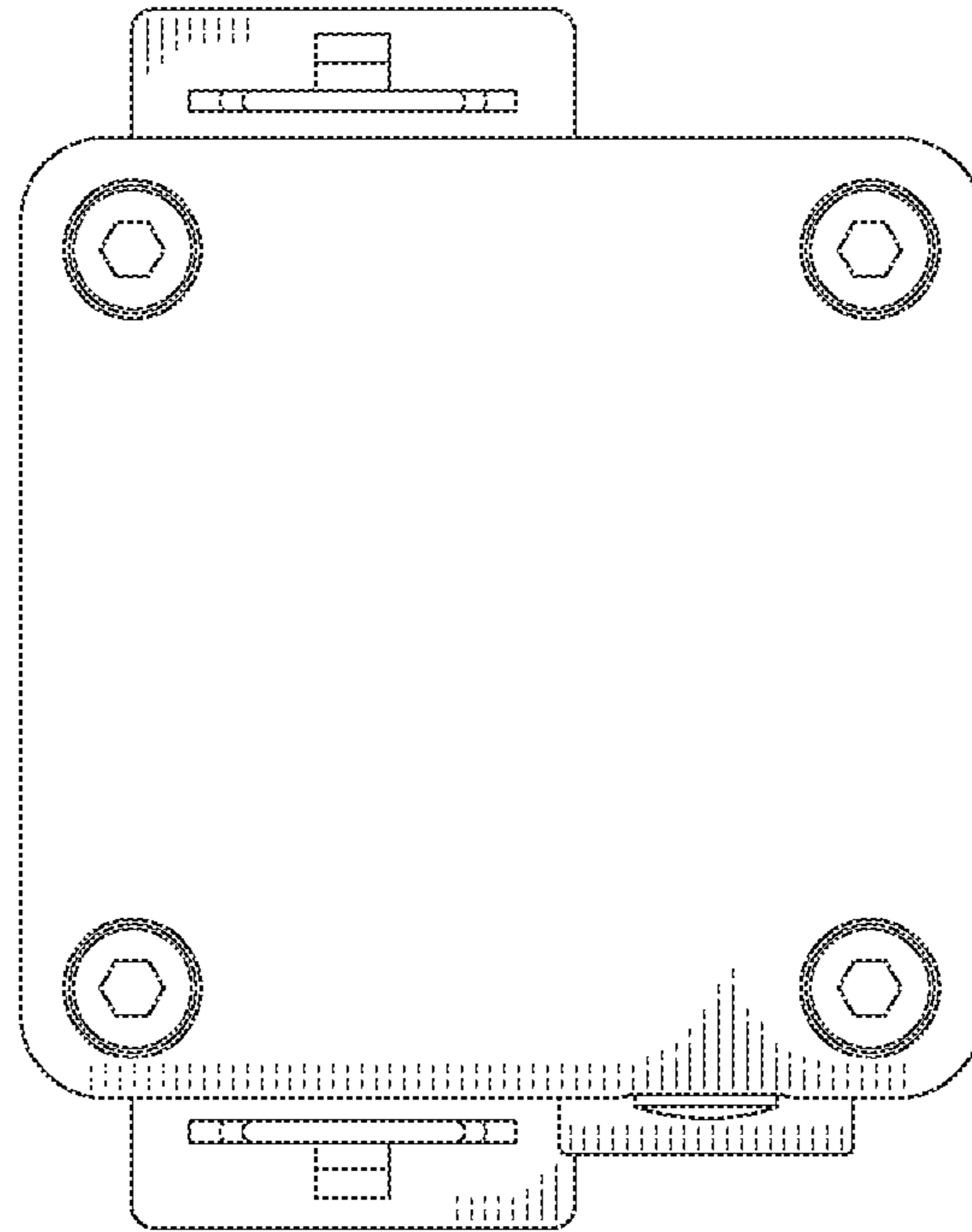


FIG. 2

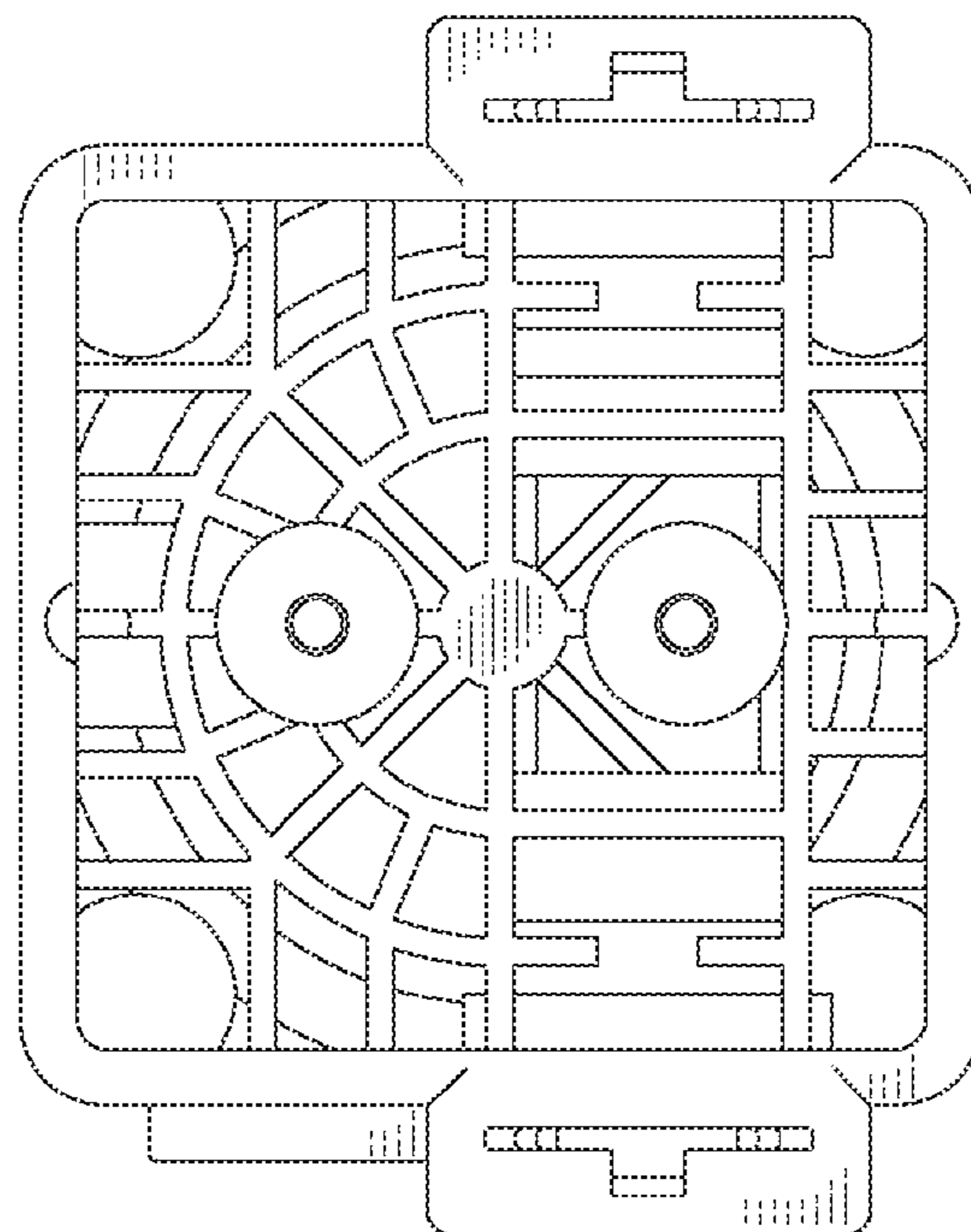


FIG. 3

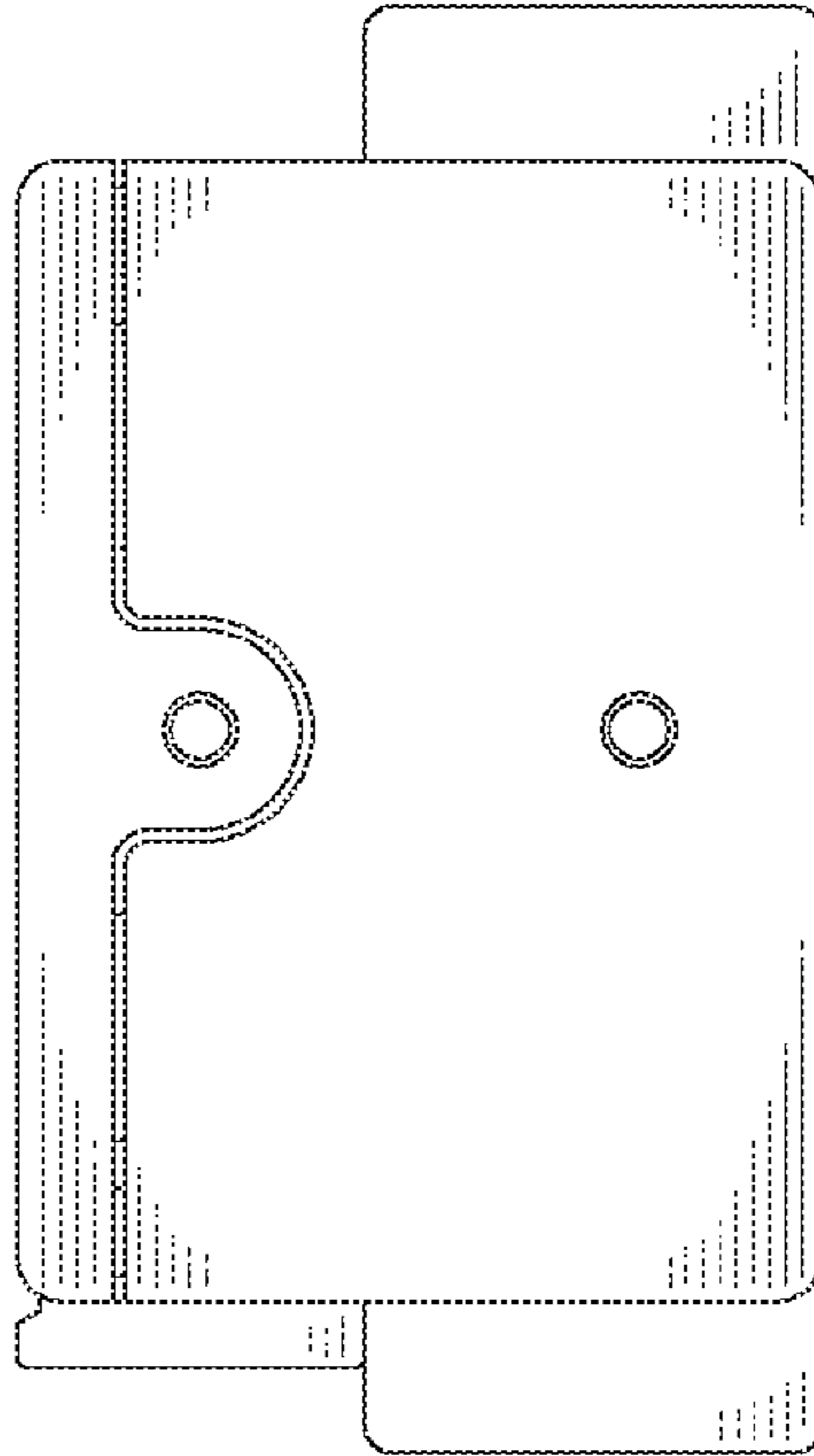


FIG. 4

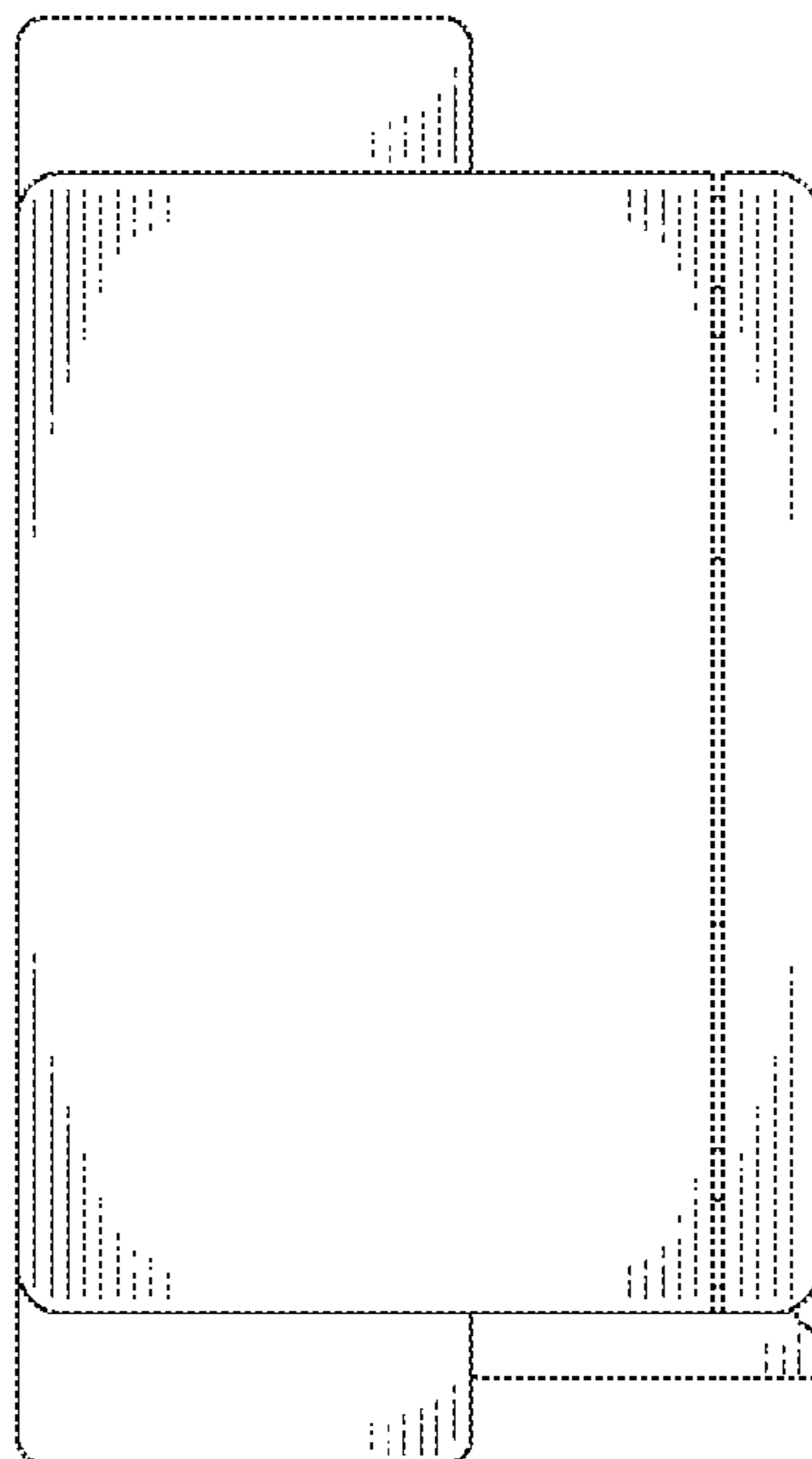


FIG. 5

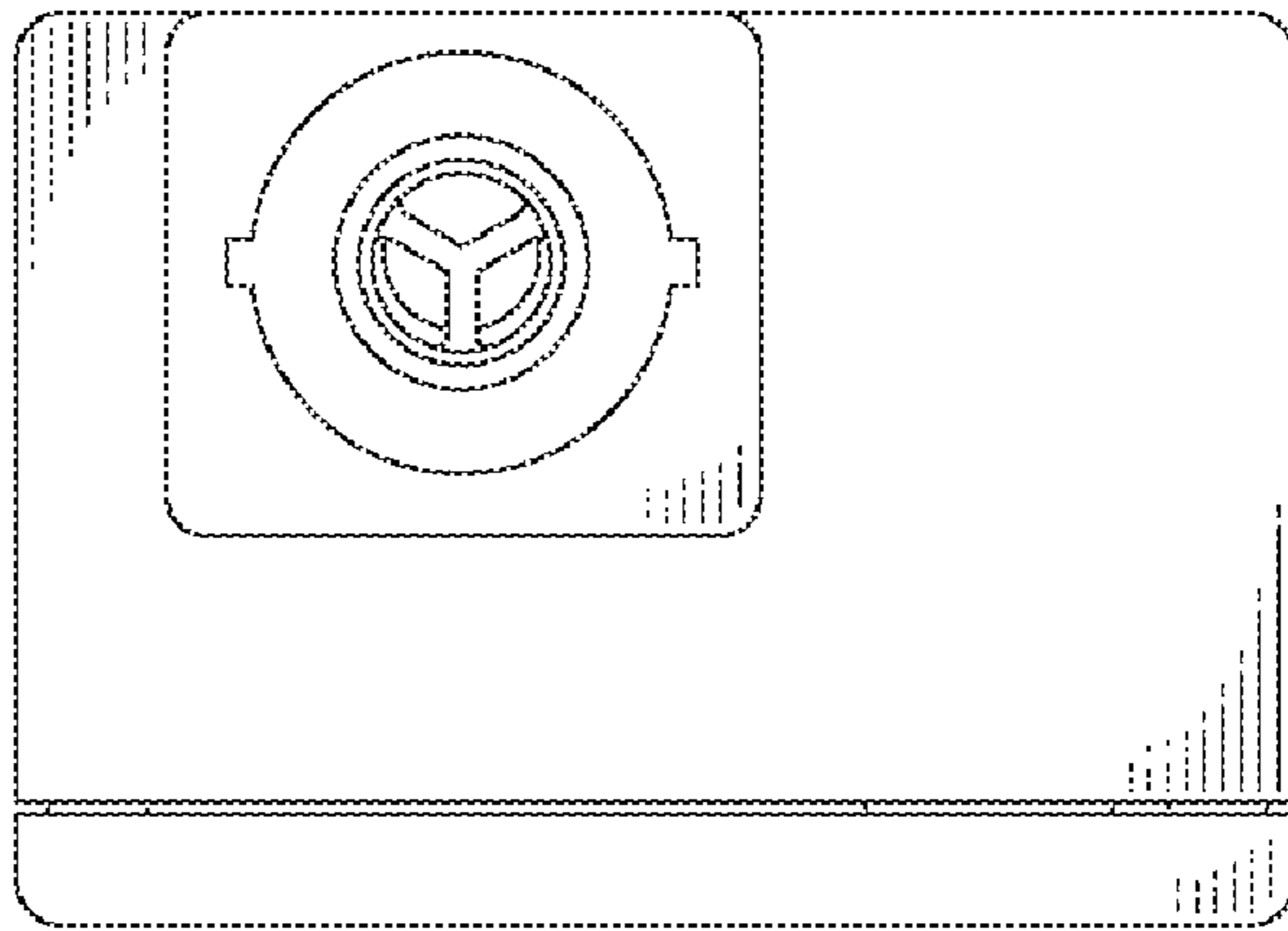


FIG. 6

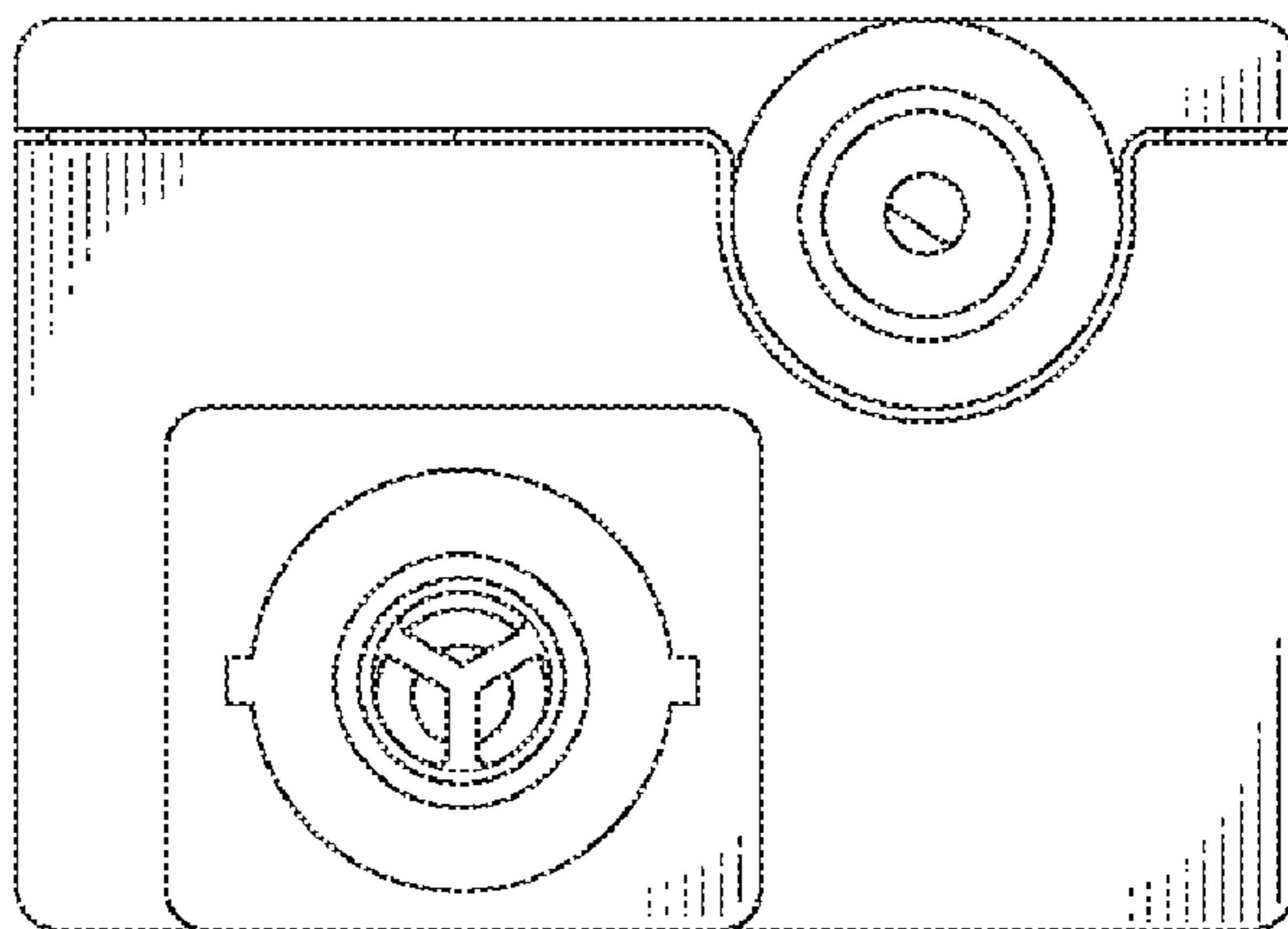


FIG. 7

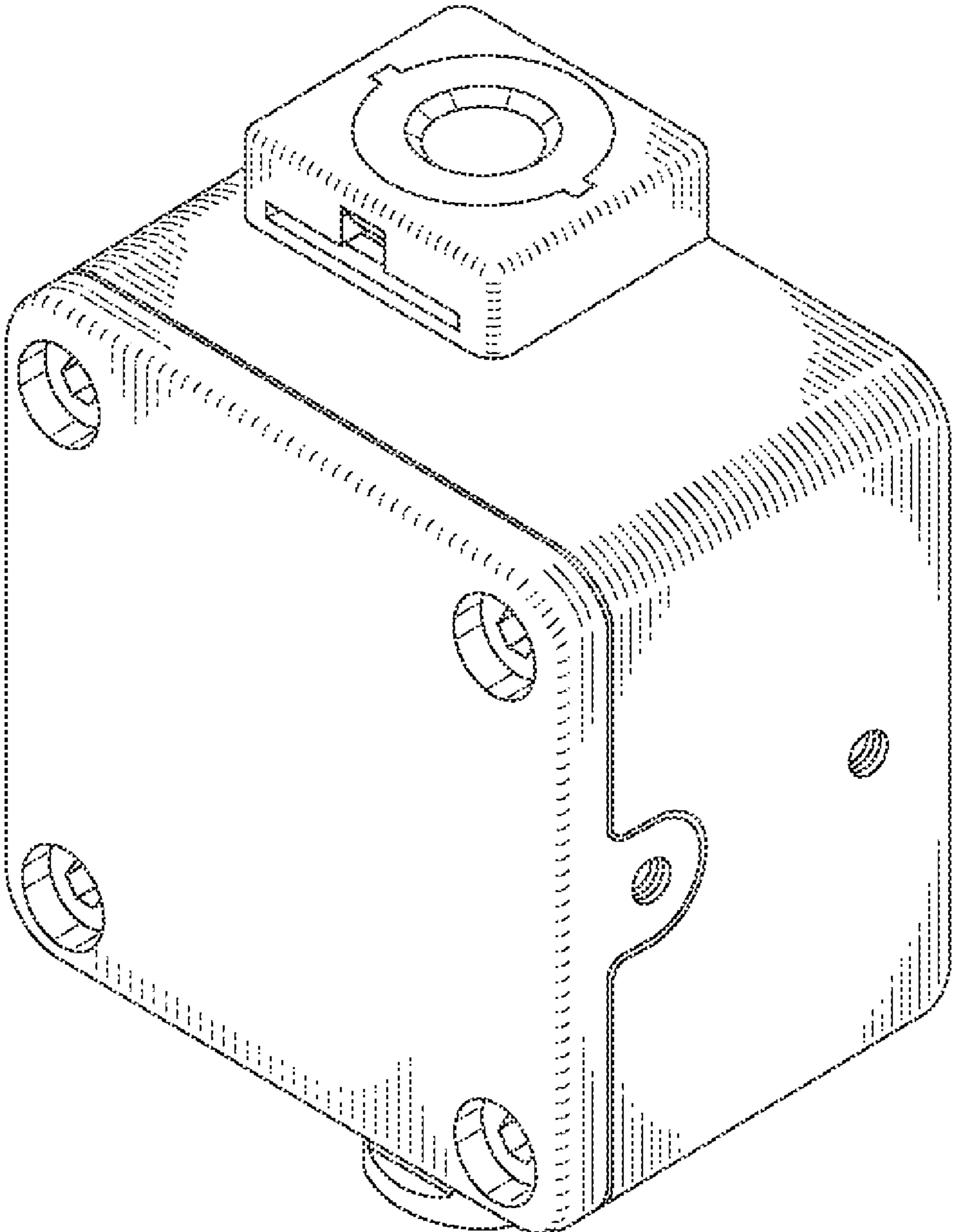


FIG. 8

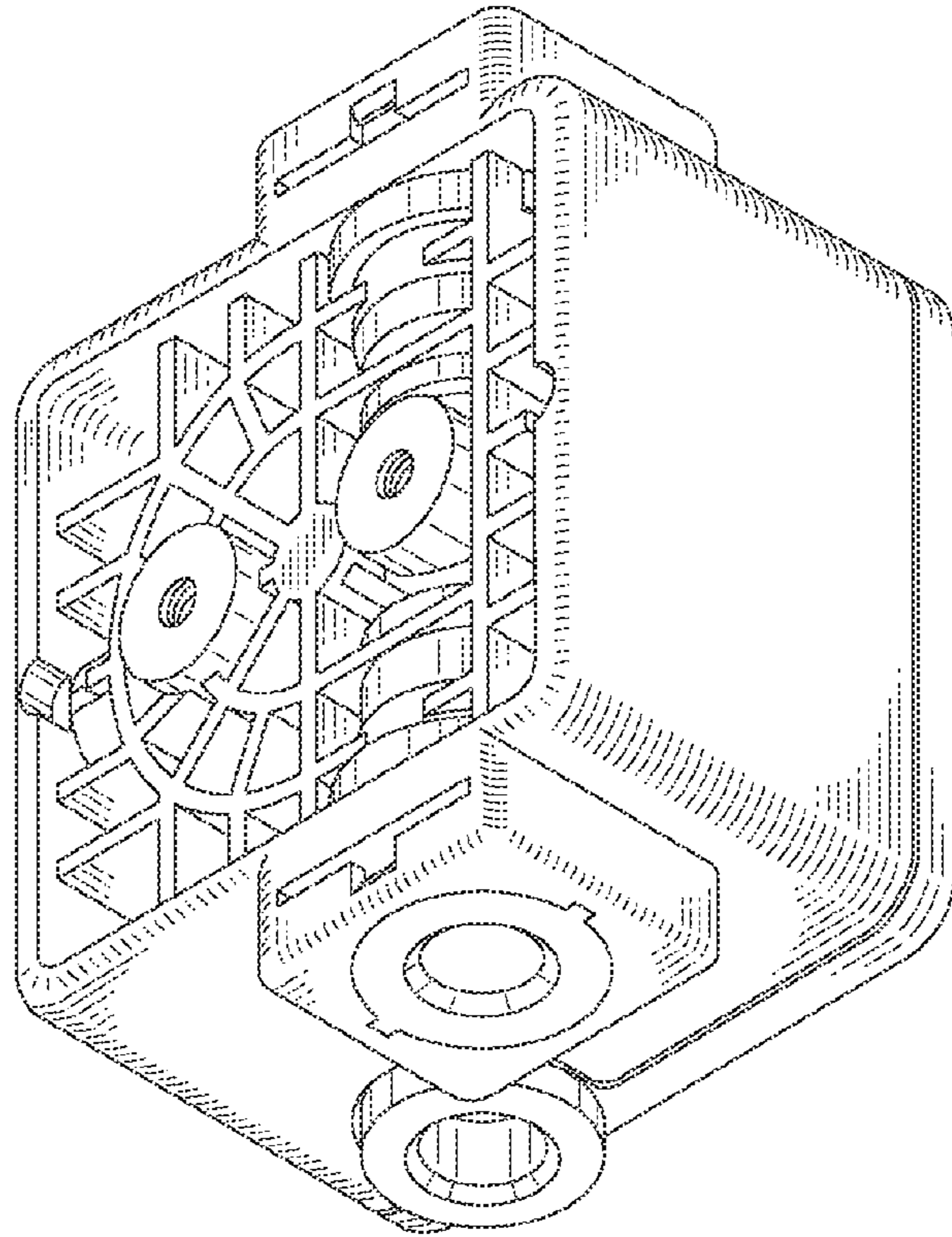


FIG. 9

