



US00D618694S

(12) **United States Design Patent**
Andre

(10) **Patent No.:** **US D618,694 S**
(45) **Date of Patent:** **** Jun. 29, 2010**

(54) **USB MEMORY STICK**

(75) Inventor: **Olivier Andre**, Hong Kong (CN)

(73) Assignee: **PF Concept International B.V.** (NL)

(**) Term: **14 Years**

(21) Appl. No.: **29/325,856**

(22) Filed: **Oct. 7, 2008**

(30) **Foreign Application Priority Data**

May 29, 2008 (WO) DM/070 263

(51) **LOC (9) Cl.** **14-99**

(52) **U.S. Cl.** **D14/480.6**

(58) **Field of Classification Search** D14/411,
D14/433, 435.1, 436, 480.1–480.7, 484.1,
D14/137, 155, 167, 168, 203.1–203.8, 240,
D14/242, 299; D3/201, 273; D13/107, 108,
D13/149, 184; 361/679.31, 679.33, 679.4,
361/752; 711/100, 115; 710/300, 301; 439/131,
439/135–147; D21/335, 478–479
See application file for complete search history.

(56) **References Cited**

U.S. PATENT DOCUMENTS

207,124 A * 8/1878 Kinsey 273/153 S
526,544 A * 9/1894 Shriver 273/153 S
3,334,798 A * 8/1967 Pezely, Jr. et al. 273/160
3,410,474 A * 11/1968 Keil 273/160
D264,583 S * 5/1982 Kessler D13/184
4,534,563 A * 8/1985 Guenther 273/160
D294,774 S * 3/1988 Kitada D3/273
D307,978 S * 5/1990 Dallape D3/201
D324,046 S * 2/1992 Yoneyama et al. D14/150

(Continued)

OTHER PUBLICATIONS

Welcome to Usb.brandoo.com.hk, [online], [retrieved on Apr. 8, 2009]. Retrieved from the Internet <URL: http://usb.brandoo.com.hk/prod_detail.php?prod_id=00467>.*

Primary Examiner—Cathron C Brooks

Assistant Examiner—Karen E Kearney

(74) *Attorney, Agent, or Firm*—Altera Law Group, LLC

(57) **CLAIM**

The ornamental design for USB memory stick, as shown and described.

DESCRIPTION

FIG. 1 is a top, front, right side perspective view of the USB memory stick;

FIG. 2 is a top plan view thereof;

FIG. 3 is a bottom plan view thereof;

FIG. 4 is a front elevational view thereof;

FIG. 5 is a rear elevational view thereof;

FIG. 6 is a right side elevational view thereof;

FIG. 7 is a left side elevational view thereof;

FIG. 8 is a bottom, rear, left side perspective view thereof, wherein the right and left sides have been rotated 180° upward at the horizontal creases illustrated in FIG. 3 and the USB connector is now on the right side;

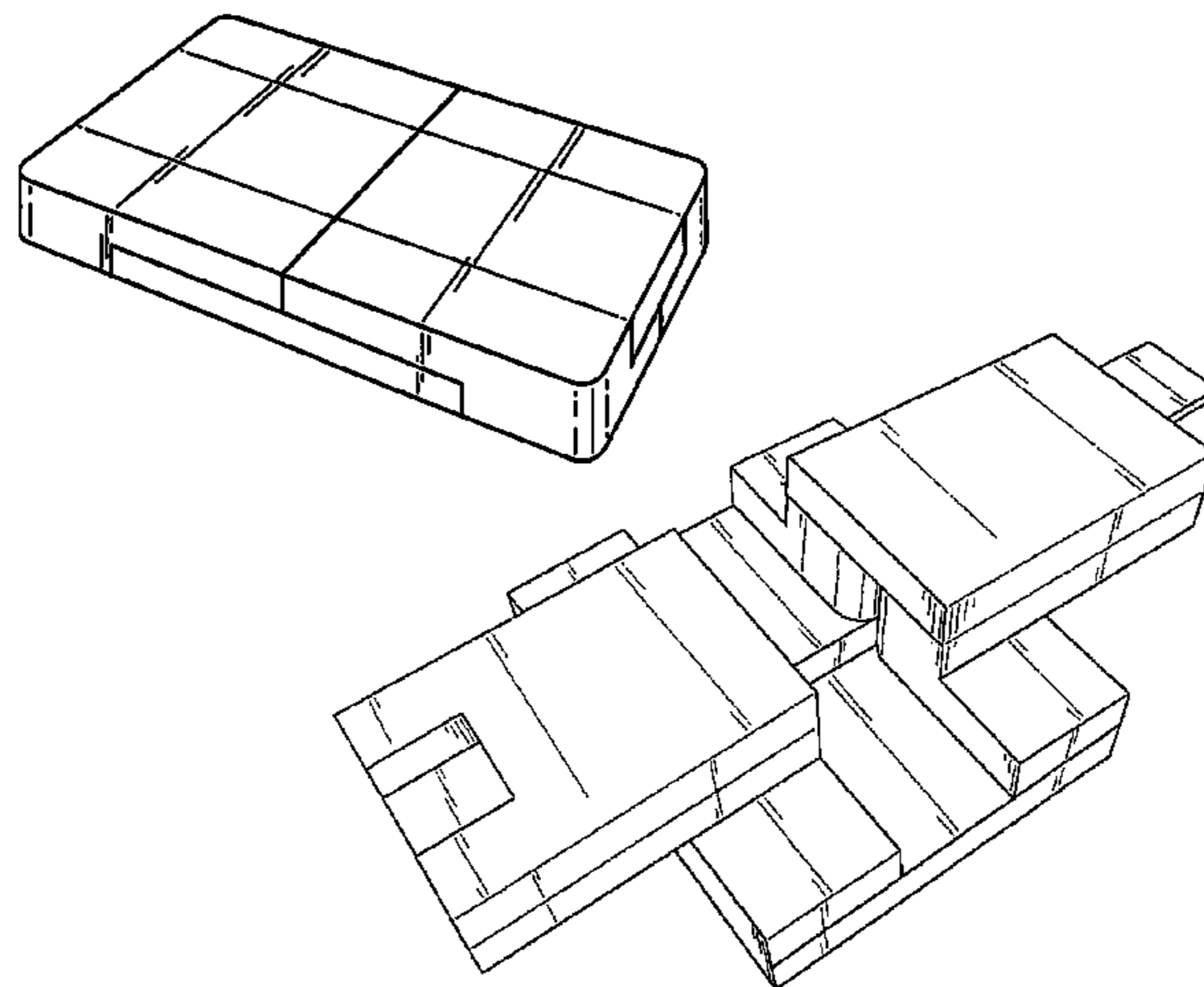
FIG. 9 is a top, front, right side perspective view of the design of FIG. 8;

FIG. 10 is a top, front, left side perspective view of the design of FIG. 8, partially unfolded wherein the front and rear sides are rotating upward at the substantially horizontal creases illustrated in FIG. 8;

FIG. 11 is a top, front, right side perspective view of the design of FIG. 8, wherein the front and rear sides have been rotated 180° upward at the substantially horizontal creases illustrated in FIG. 8; and,

FIG. 12 is a bottom, rear, left side perspective view of the design of FIG. 11.

1 Claim, 7 Drawing Sheets



US D618,694 S

Page 2

U.S. PATENT DOCUMENTS

D333,139 S *	2/1993	Poupore	D14/242	D500,497 S *	1/2005	Yu et al.	D14/240
D340,953 S *	11/1993	Langlotz	D21/335	D542,788 S *	5/2007	Gutmann et al.	D14/480.5
6,382,625 B1 *	5/2002	Chang	273/160	D572,250 S *	7/2008	Yang	D14/358
D486,829 S *	2/2004	Wang et al.	D14/433	D572,251 S *	7/2008	Lee	D14/358
D487,458 S *	3/2004	Gentil et al.	D14/480.5	2007/0146977 A1 *	6/2007	Choi	361/680
D499,574 S *	12/2004	Spicer	D6/406.3	2009/0091900 A1 *	4/2009	Kang	361/755

* cited by examiner

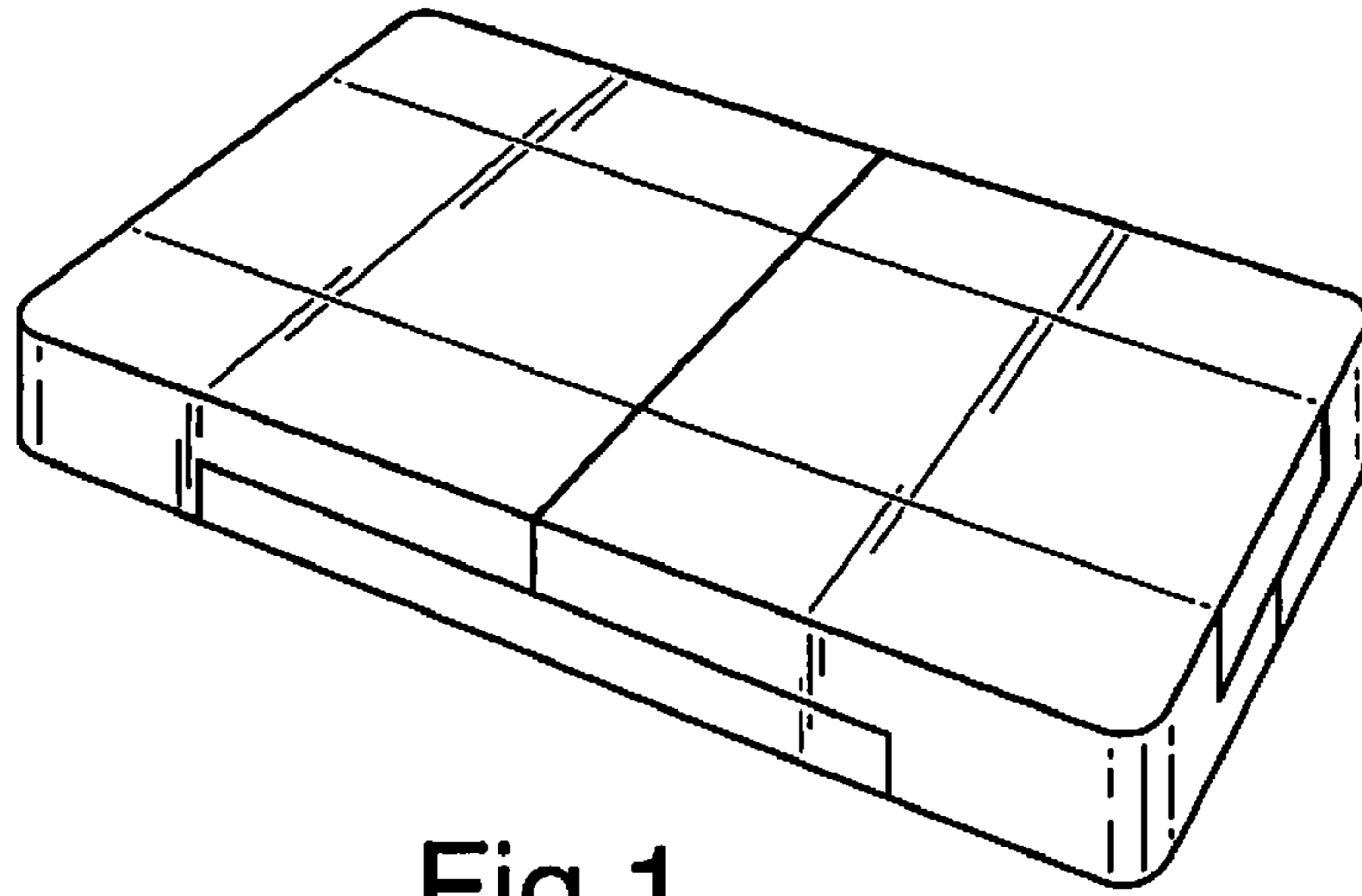


Fig.1.

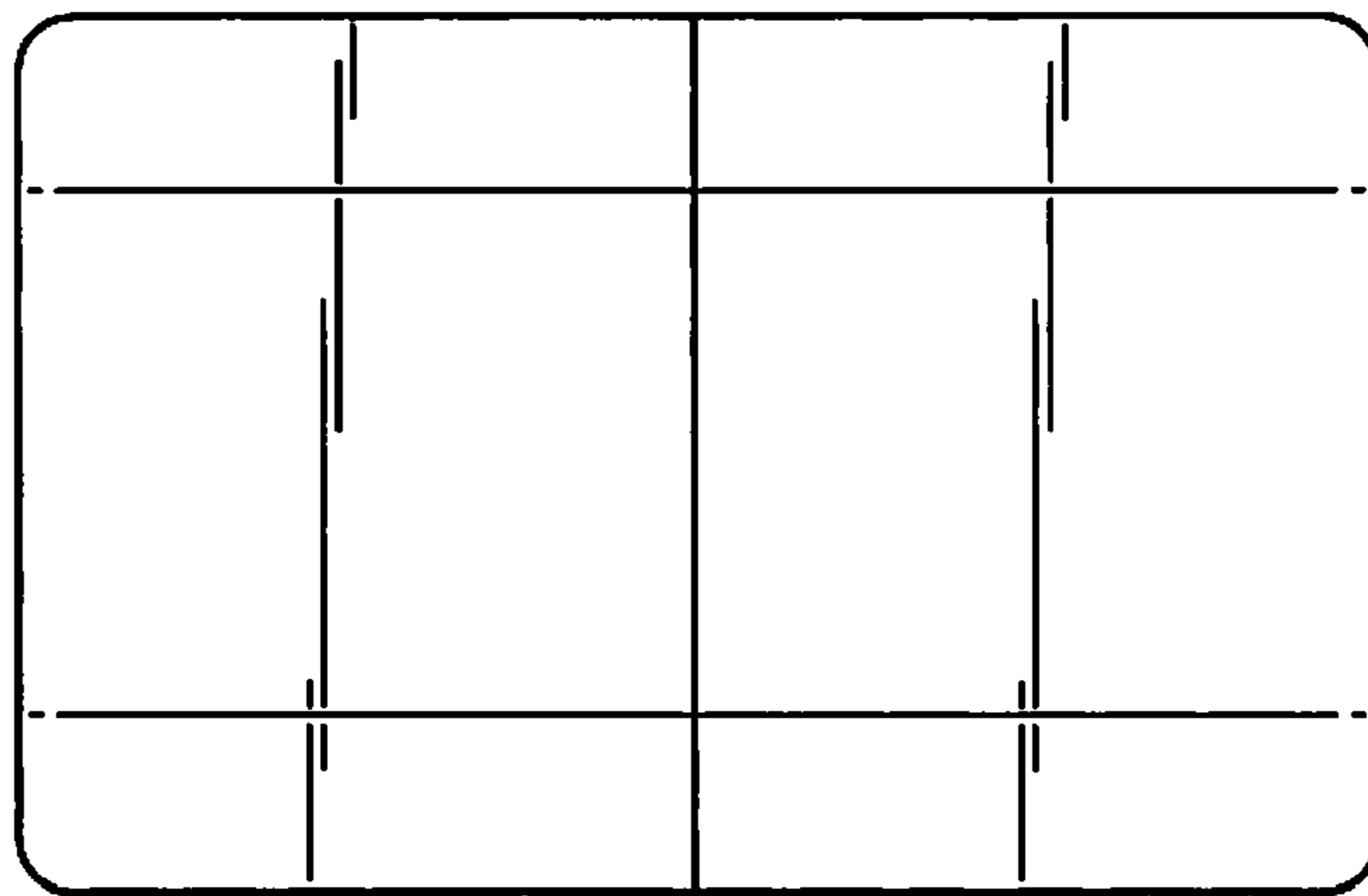


Fig.2.

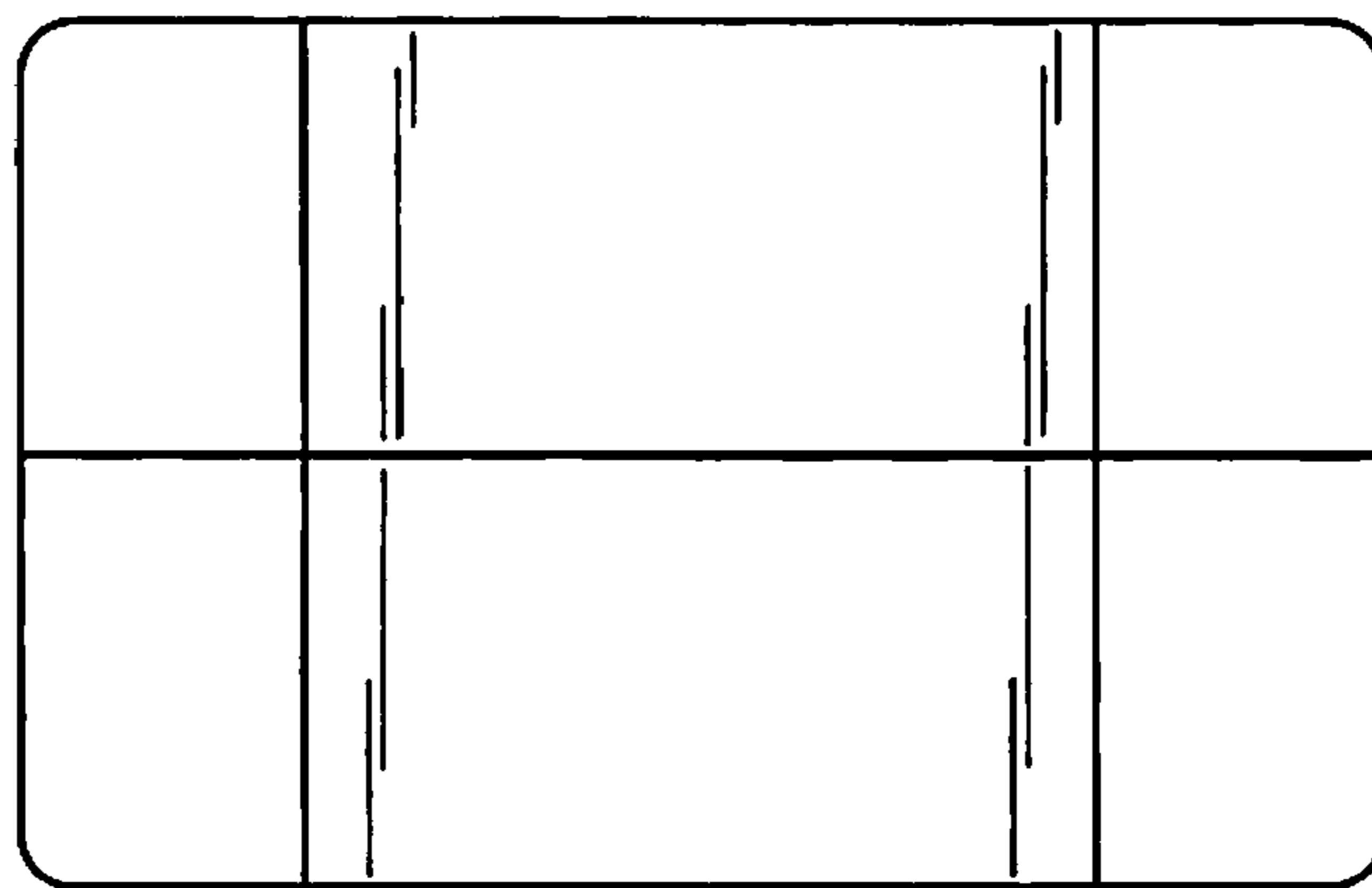


Fig.3.



Fig.4.

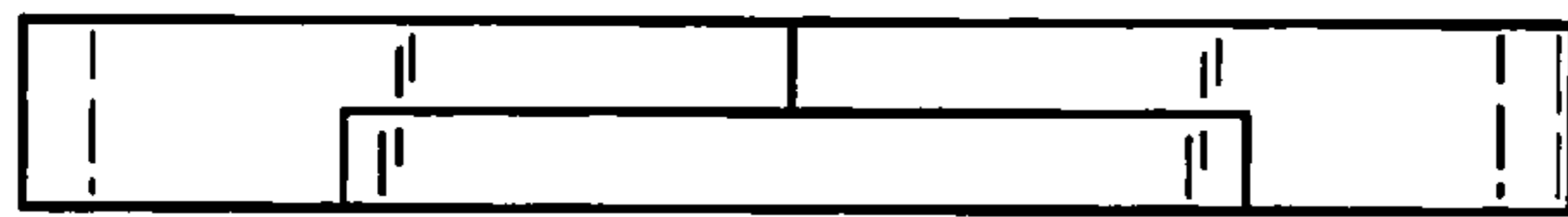


Fig.5.



Fig.6.

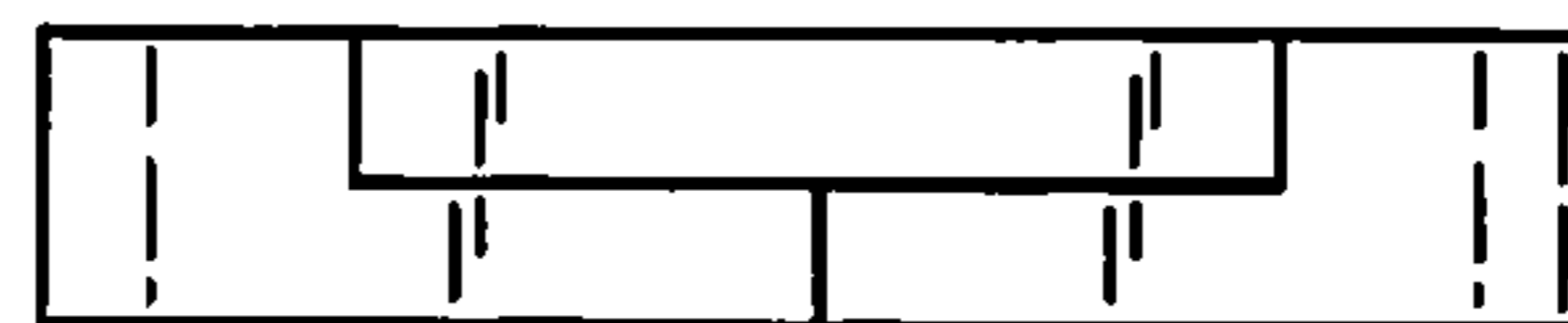


Fig.7.

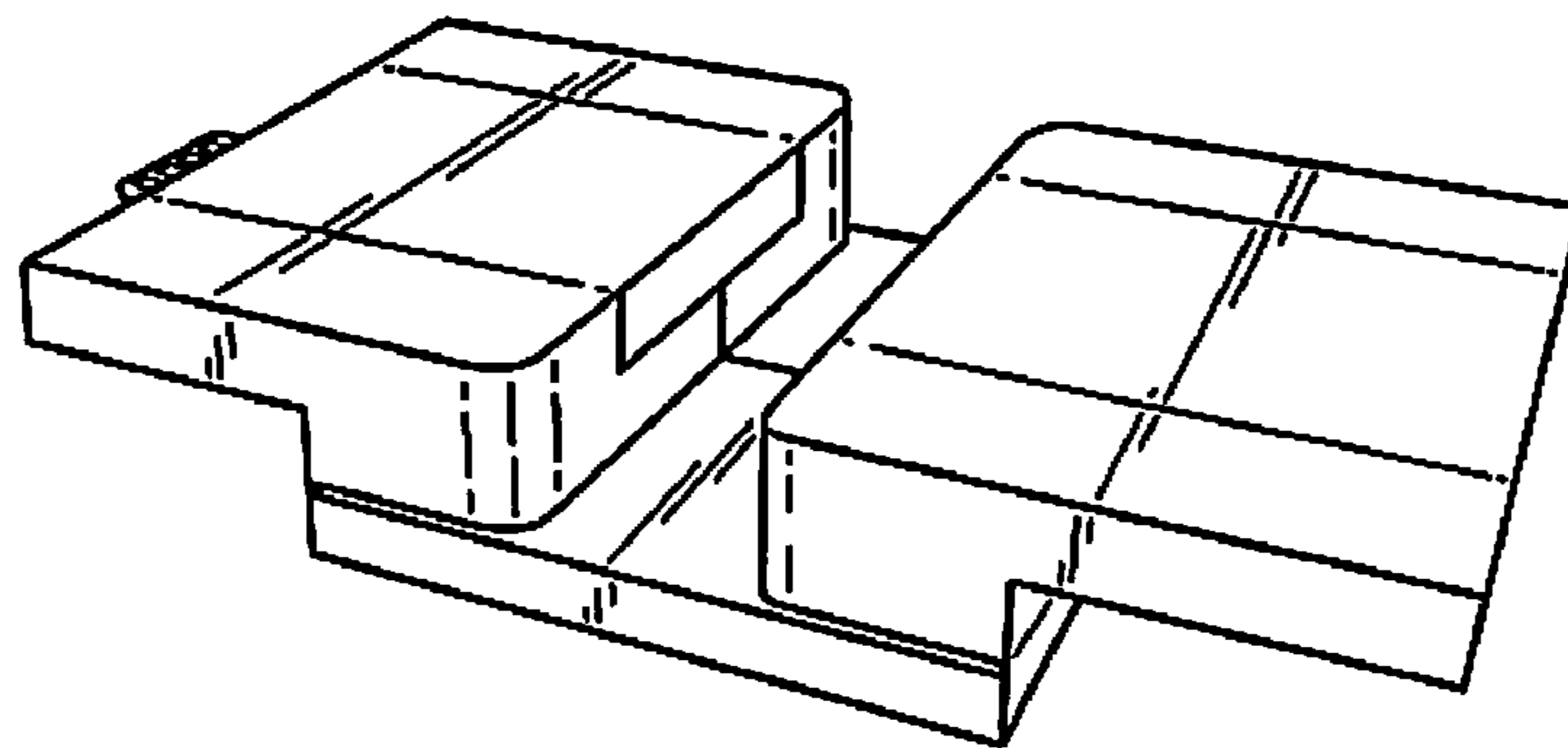


Fig.8.

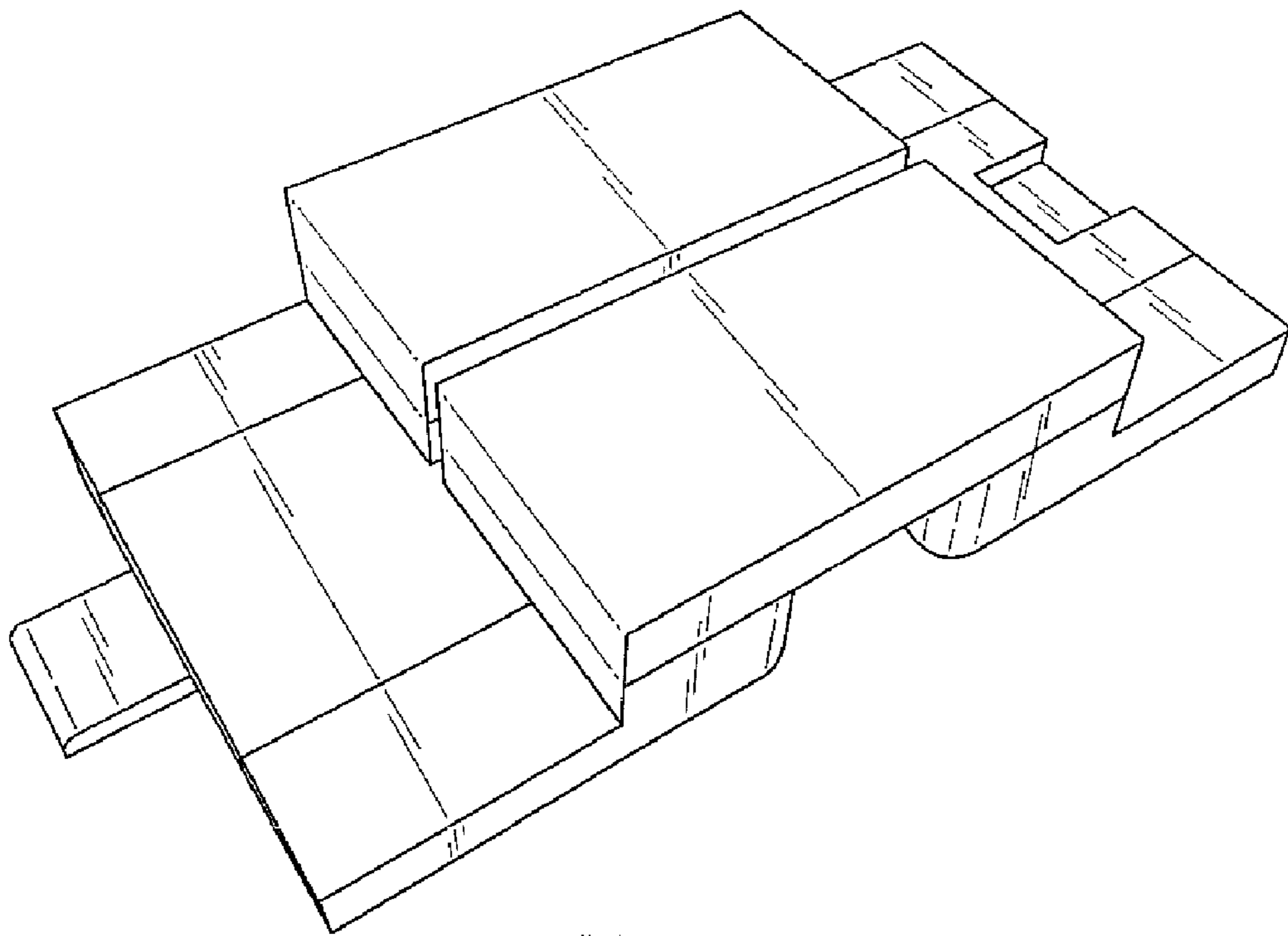


Fig.9.

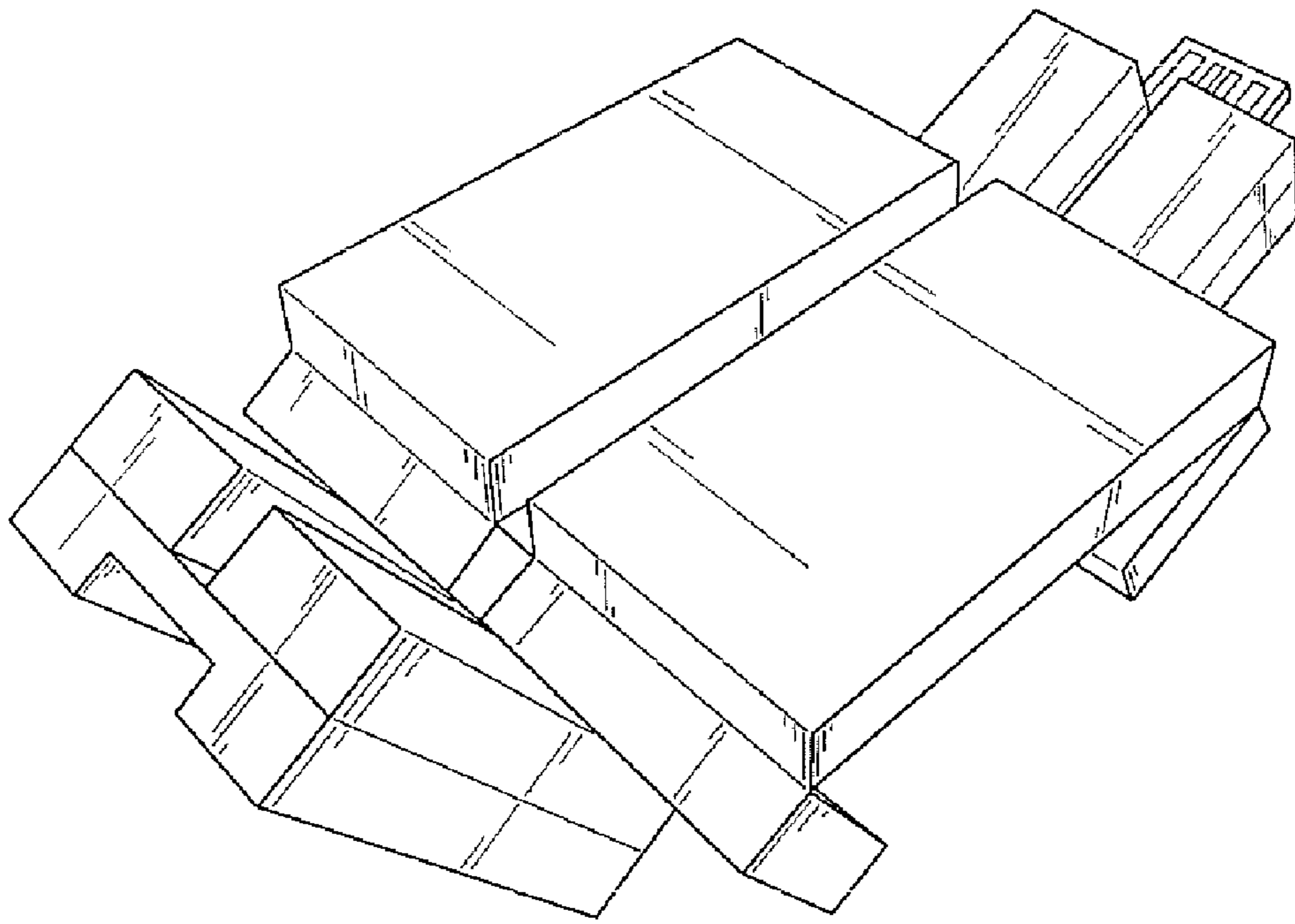


Fig.10.

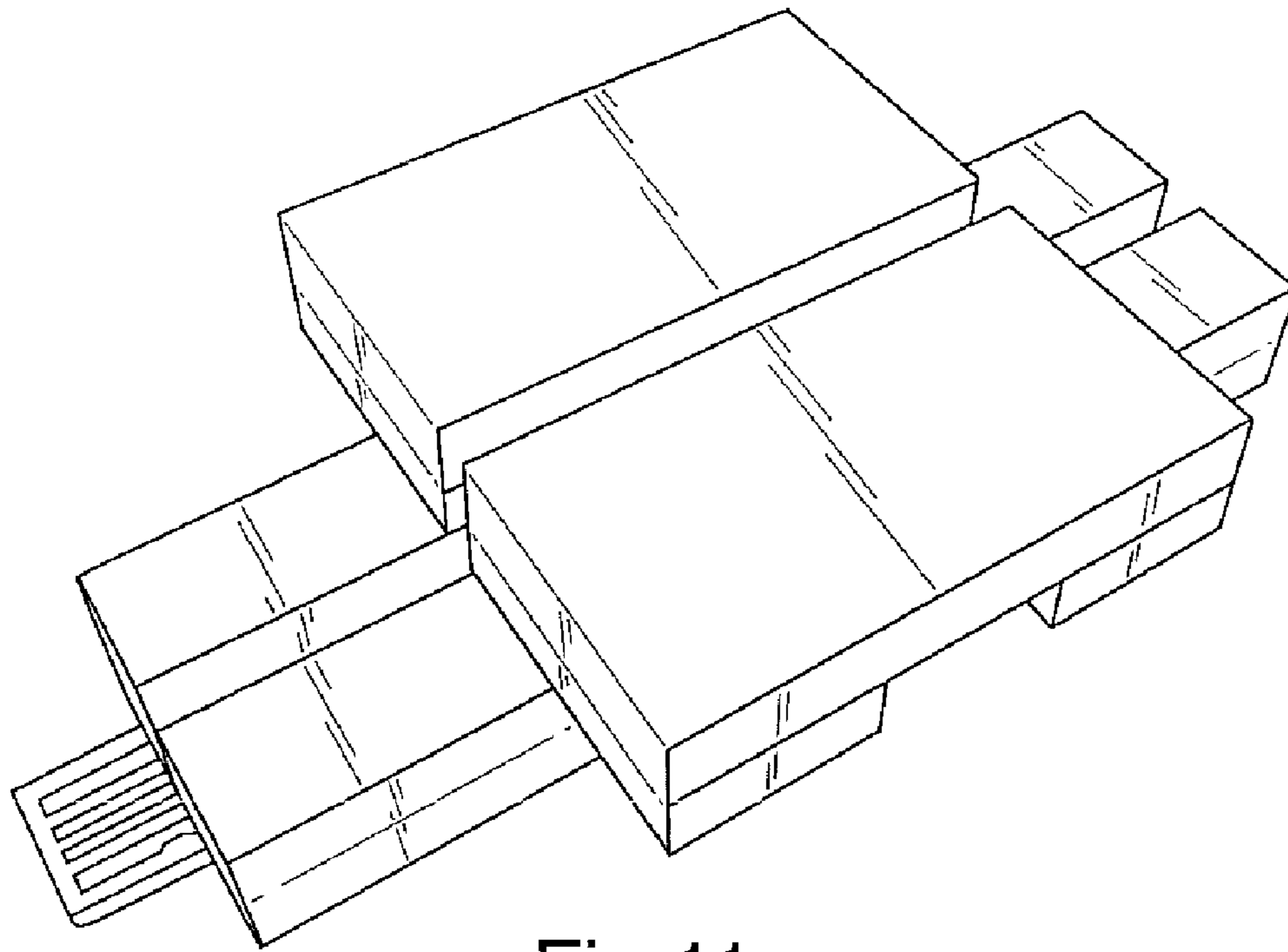


Fig. 11.

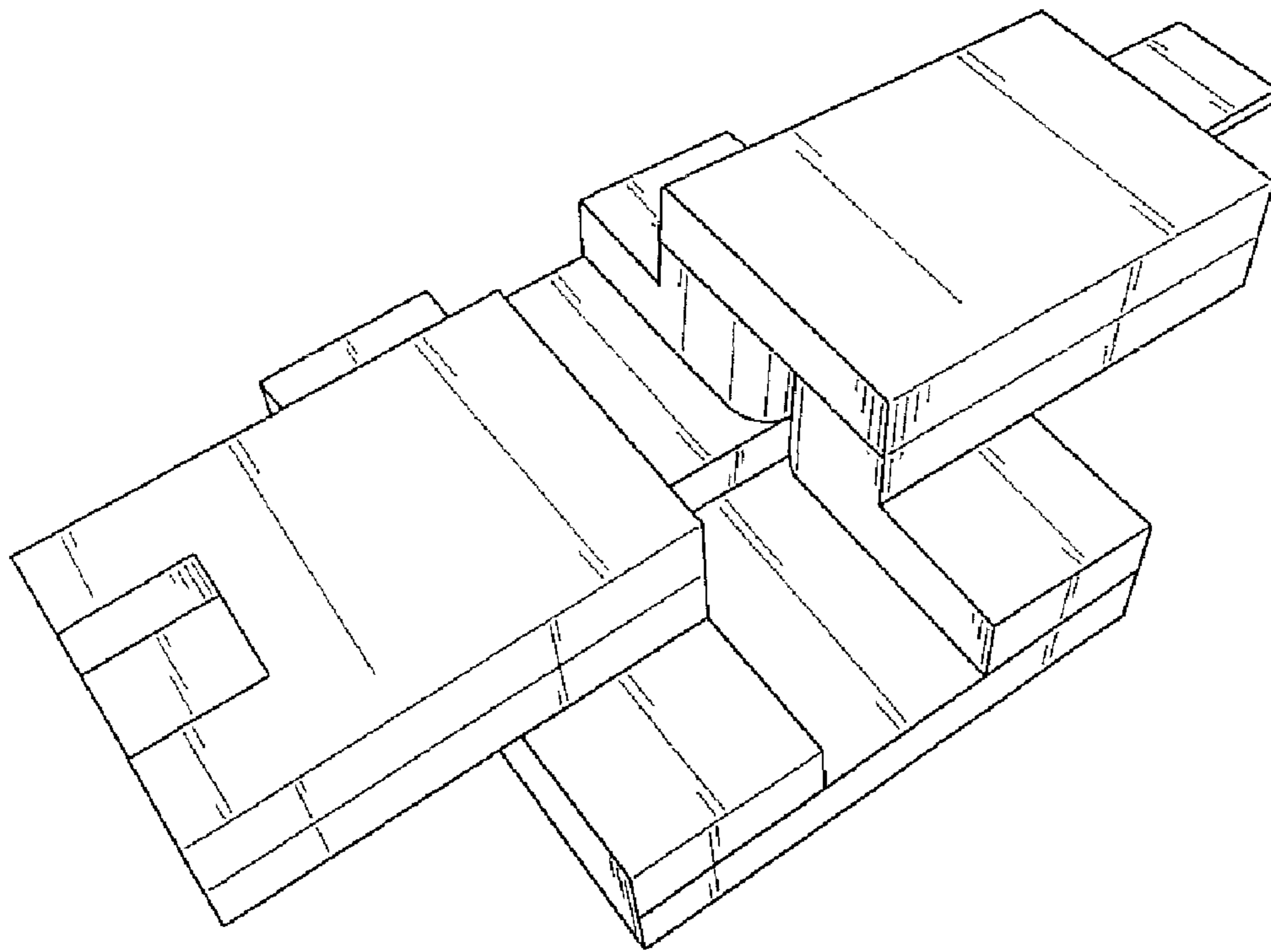


Fig. 12.