



US00D618693S

(12) **United States Design Patent**
Huang

(10) **Patent No.:** **US D618,693 S**
(45) **Date of Patent:** **** Jun. 29, 2010**

(54) **MONITOR BASE**
(75) Inventor: **Wen-Yi Huang**, Taoyuan Hsien (TW)
(73) Assignee: **Acula Technology Corp.**, Taoyuan Hsien (TW)
(**) Term: **14 Years**
(21) Appl. No.: **29/335,788**
(22) Filed: **Apr. 22, 2009**

6,741,458 B2 * 5/2004 Wu 361/679.21
6,837,469 B2 * 1/2005 Wu et al. 248/278.1
D547,755 S * 7/2007 Wang et al. D14/239
D548,227 S * 8/2007 Wang et al. D14/239
D548,228 S * 8/2007 Tanigawa et al. D14/239
7,361,046 B2 * 4/2008 Drew 439/353
D601,562 S * 10/2009 Chiu D14/371
2002/0053629 A1 * 5/2002 Hokugoh 248/371
2006/0278795 A1 * 12/2006 Lee 248/371
2007/0023600 A1 * 2/2007 Lee 248/288.11

(51) **LOC (9) Cl.** **08-07**
(52) **U.S. Cl.** **D14/451**
(58) **Field of Classification Search** D14/447,
D14/451, 452, 432, 439, 448, 457, 203.8,
D14/217, 224, 224.1, 238.1, 239, 251, 252,
D14/253, 371, 372, 373, 374, 375, 376, 377,
D14/378, 379, 381, 382, 434, 126; D6/310,
D6/311, 312, 313, 314, 406.3, 406.4, 406.5,
D6/406.6, 419, 420; D8/383, 373, 380; D12/415;
379/454, 455; 312/223.3; 248/917, 918,
248/919, 920, 921, 922, 923, 924, 447.2,
248/455, 460, 228.6, 276.1, 281.11; 361/679.02,
361/679.04, 679.06, 679.07, 679.09, 679.21,
361/679.26, 679.27, 679.3, 679.55, 679.56
See application file for complete search history.

* cited by examiner

Primary Examiner—Jennifer Rivard
Assistant Examiner—Angela J Lee

(56) **References Cited**
U.S. PATENT DOCUMENTS
D463,409 S * 9/2002 Niitsu D14/239
6,581,893 B1 * 6/2003 Lu 248/291.1

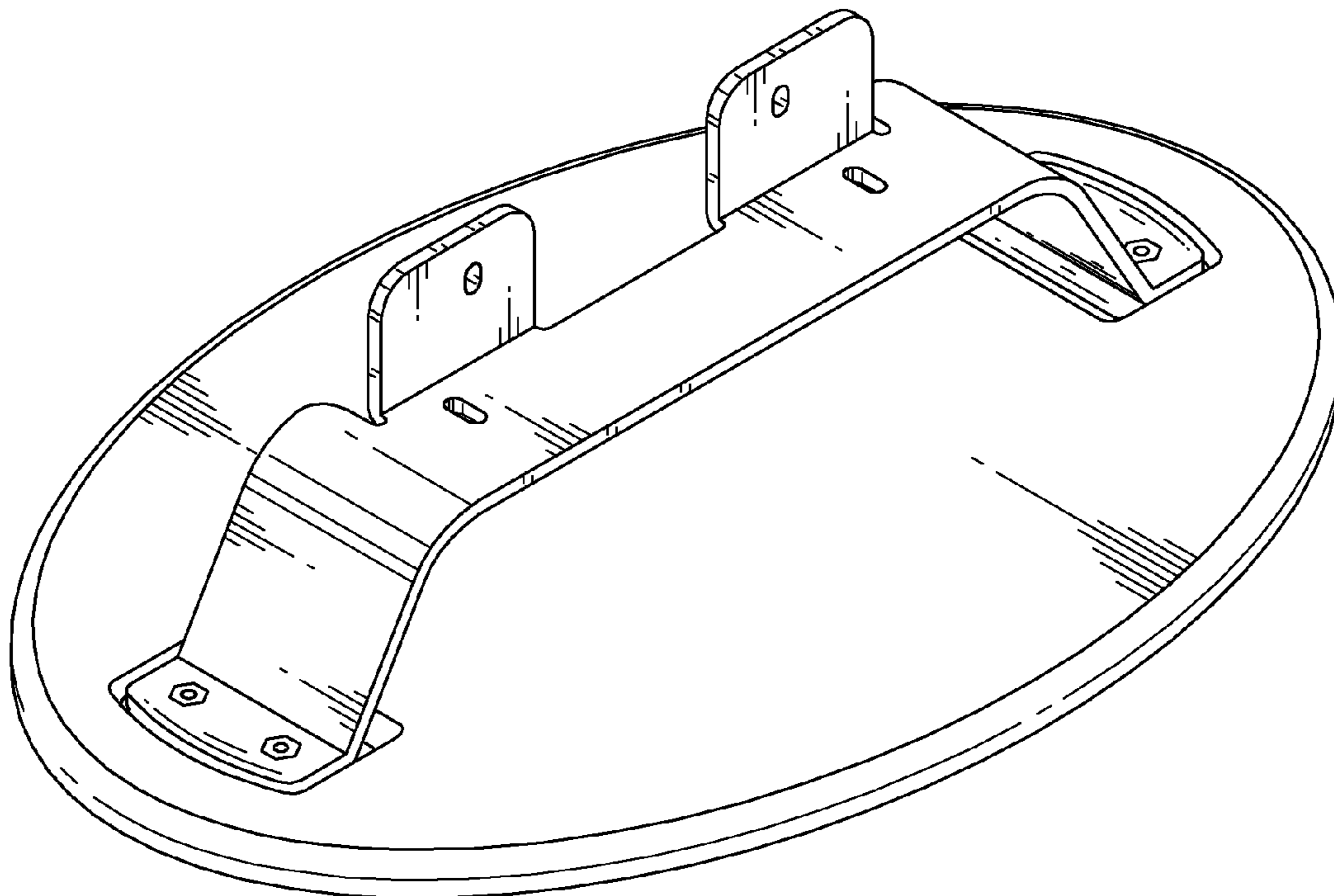
(57) **CLAIM**

The ornamental design for monitor base, as shown.

DESCRIPTION

FIG. 1 is a front perspective view of a monitor base showing my new design;
FIG. 2 is a front elevational view thereof;
FIG. 3 is a rear elevational view thereof;
FIG. 4 is a left side elevational view thereof;
FIG. 5 is a right side elevational view thereof;
FIG. 6 is a top plan view thereof; and,
FIG. 7 is a bottom plan view thereof.

1 Claim, 6 Drawing Sheets



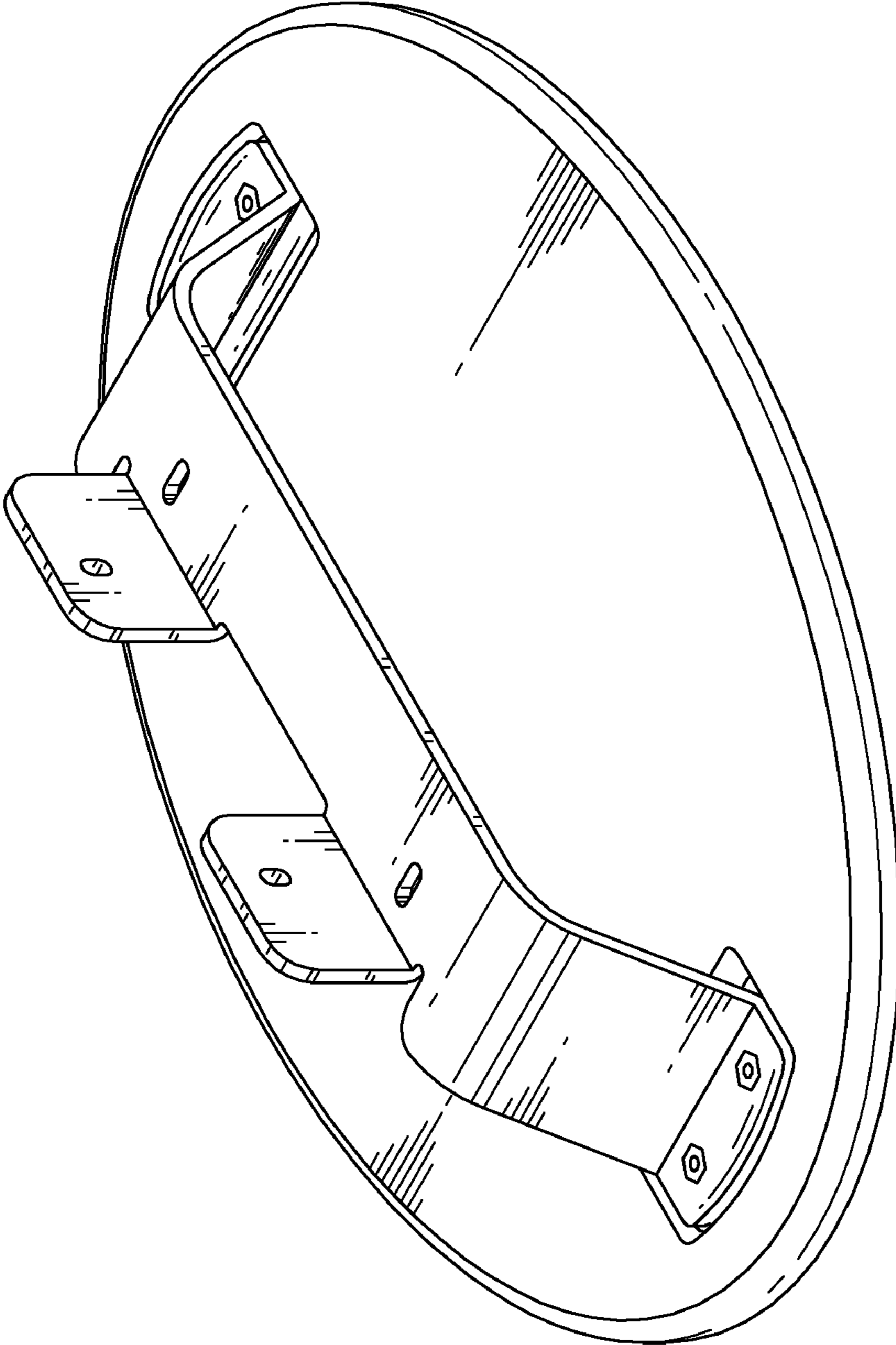


Fig. 1

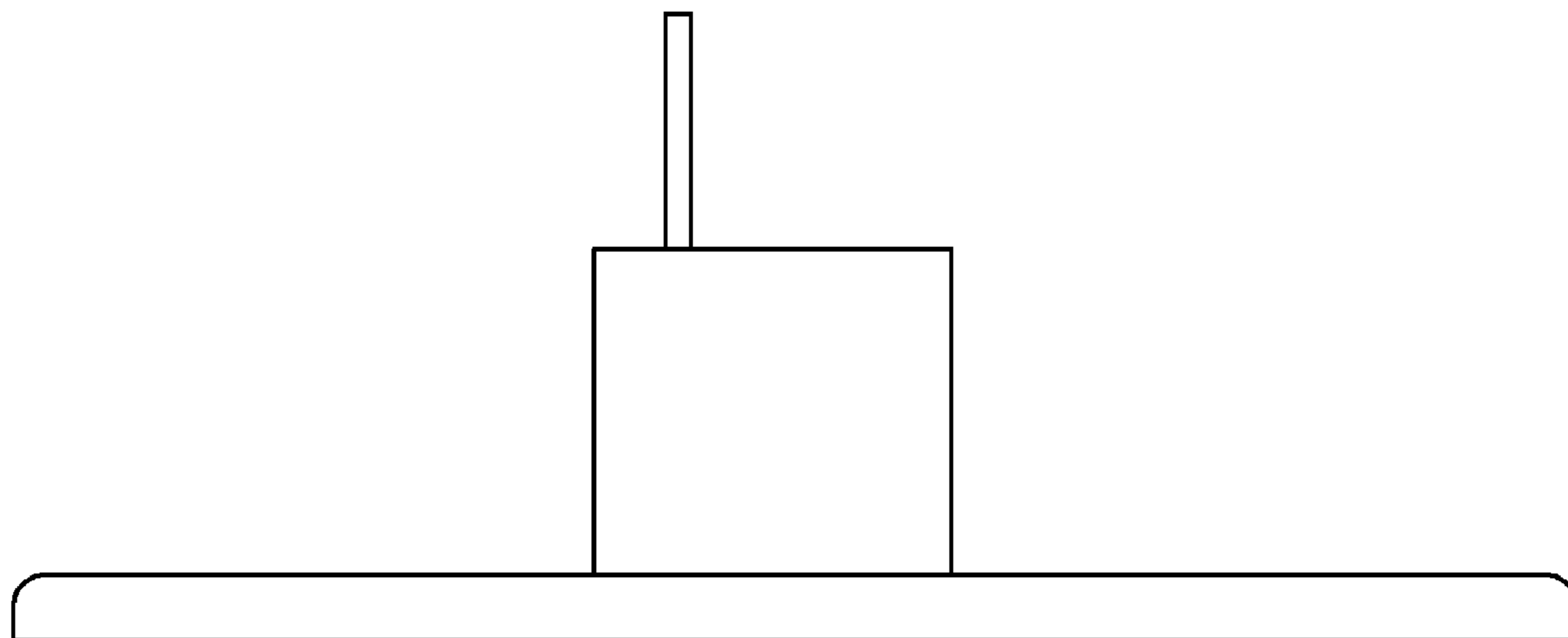


Fig. 2

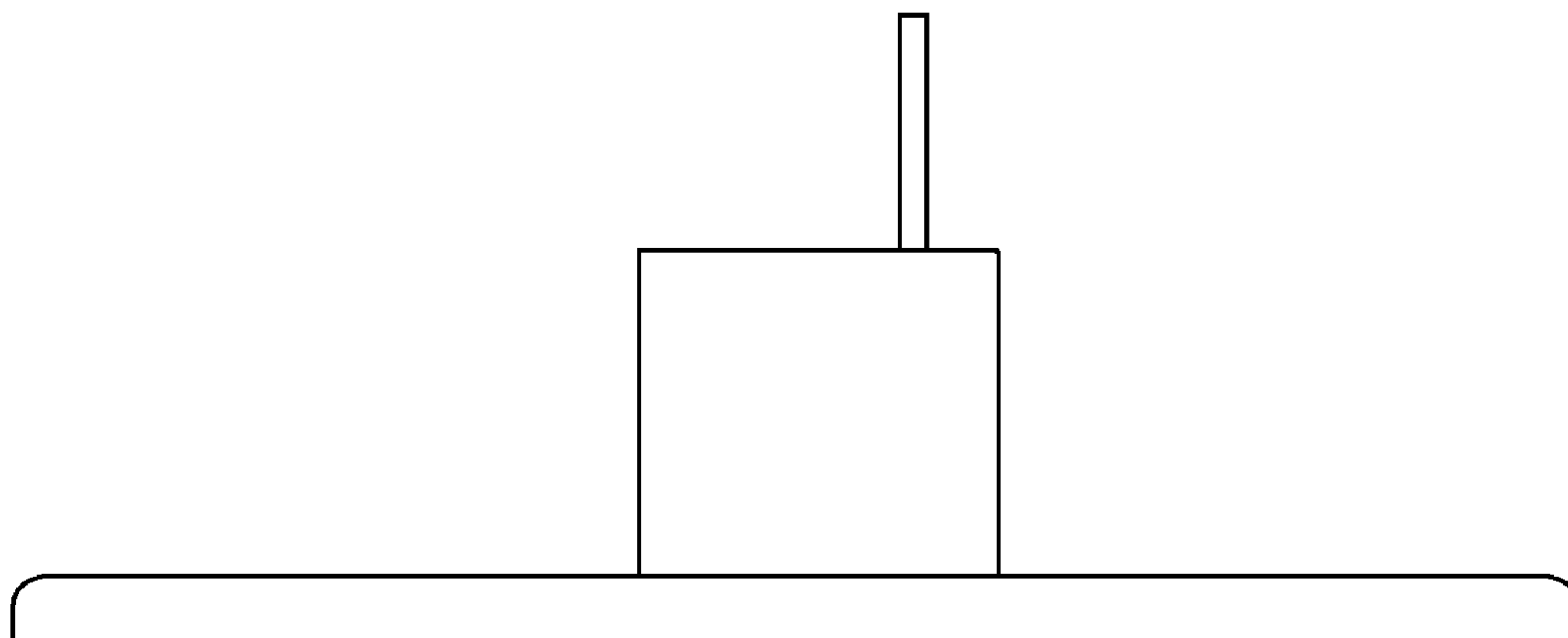


Fig. 3

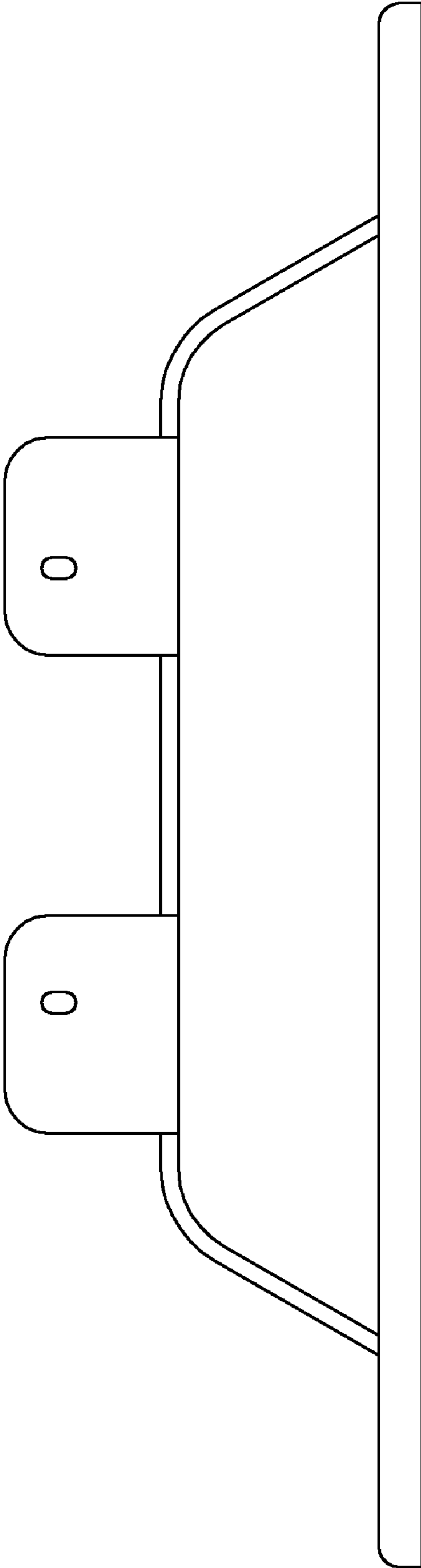


Fig. 4

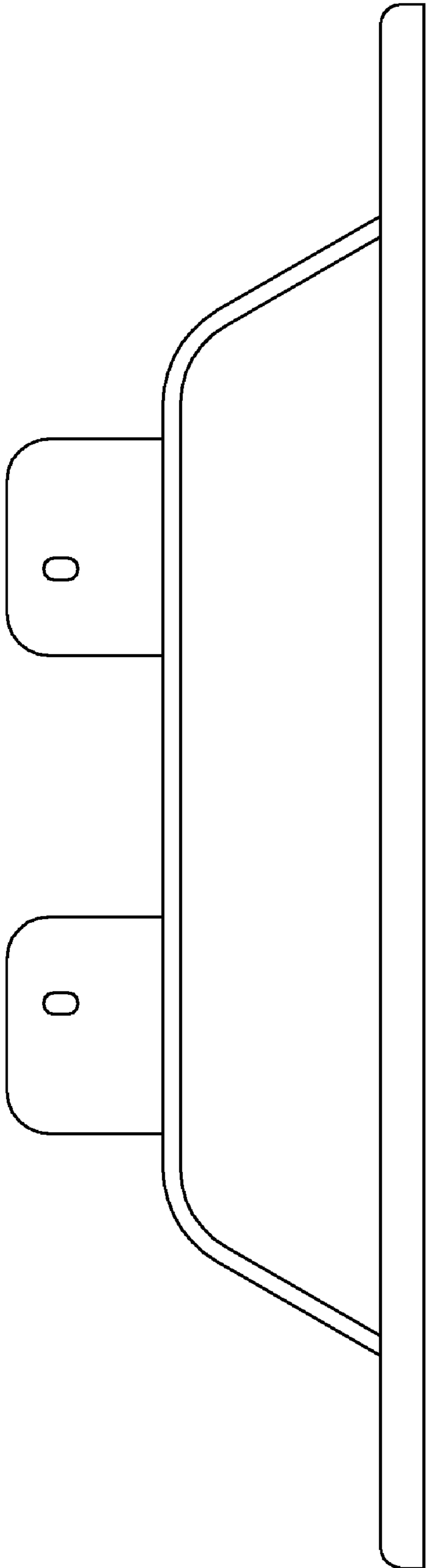


Fig. 5

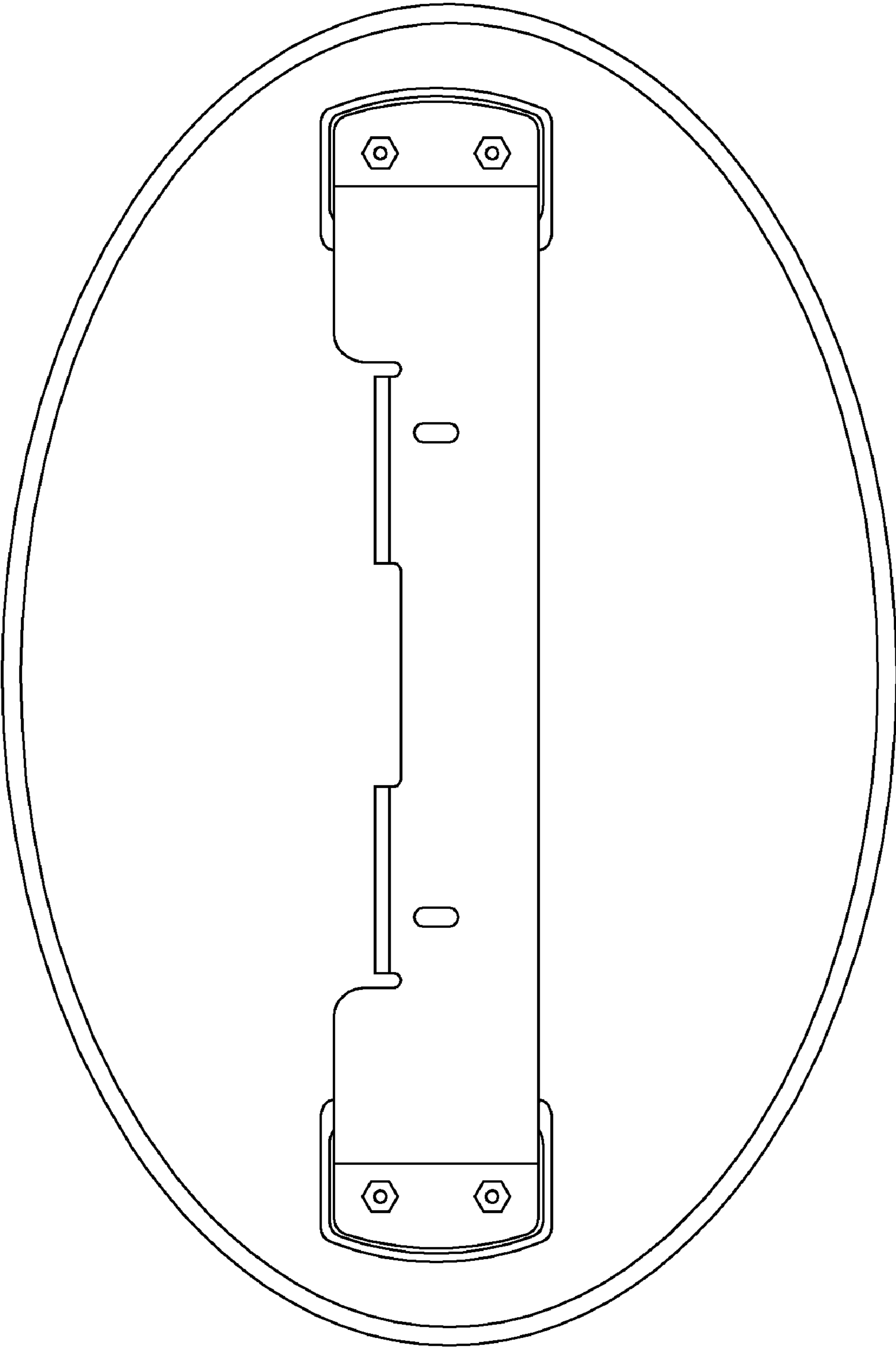


Fig. 6

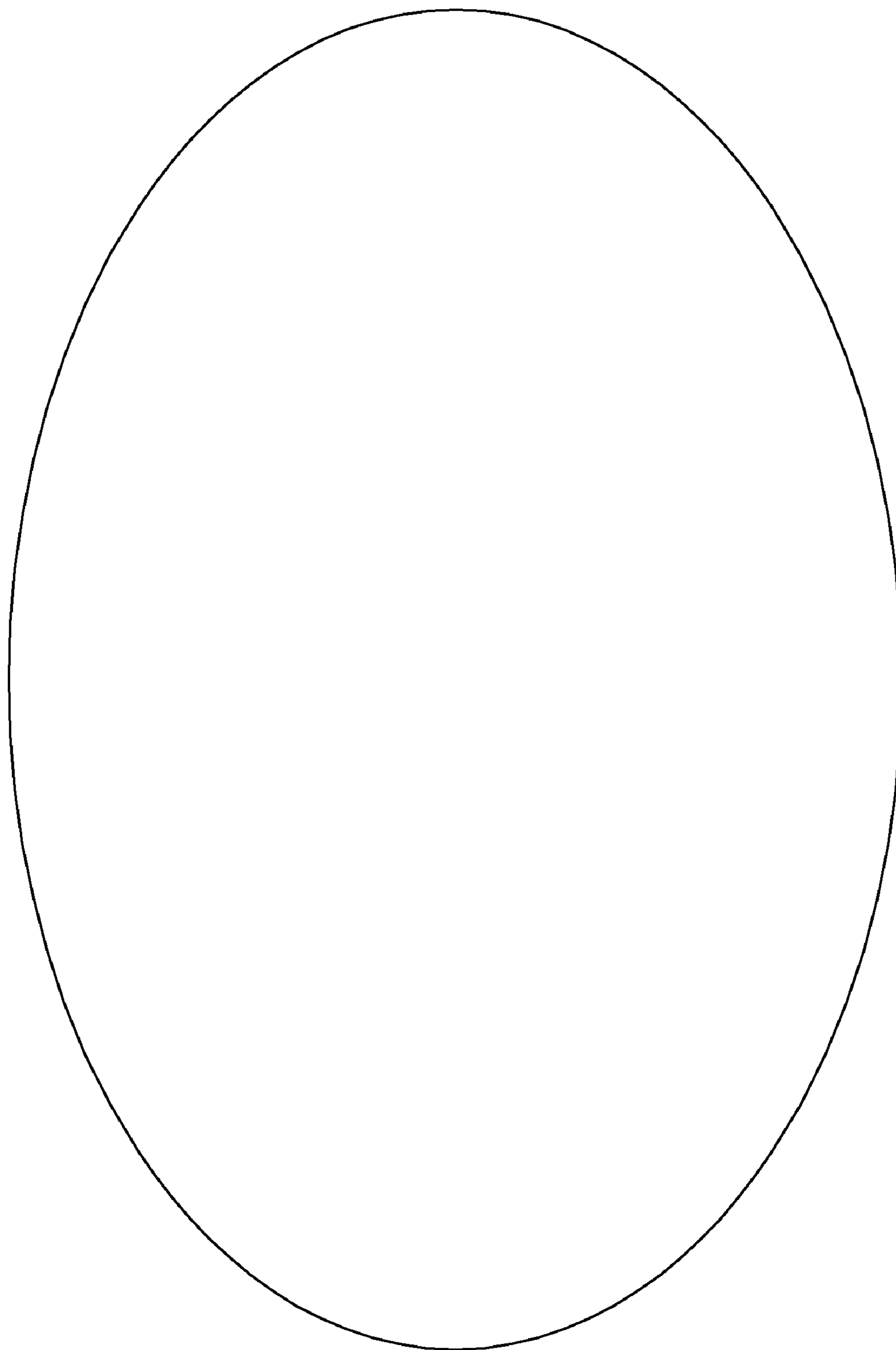


Fig. 7