



US00D618689S

(12) **United States Design Patent**
Shimizu

(10) **Patent No.:** **US D618,689 S**
(45) **Date of Patent:** **** Jun. 29, 2010**

(54) **SUPPORTING BASE FOR PORTABLE ELECTRONIC DEVICE**

(75) Inventor: **Naoto Shimizu**, Tokyo (JP)

(73) Assignee: **Sony Computer Entertainment Inc.**, Tokyo (JP)

(**) Term: **14 Years**

(21) Appl. No.: **29/300,945**

(22) Filed: **Jun. 4, 2008**

(30) **Foreign Application Priority Data**

Dec. 26, 2007 (JP) D2007-035526

(51) **LOC (9) Cl.** **14-02**

(52) **U.S. Cl.** **D14/434**

(58) **Field of Classification Search** D14/434, D14/447, 432, 385, 357, 149, 457, 253, 251, D14/356, 137, 138, 107, 155; D13/199, D13/107, 108, 118, 109, 110, 119, 184; 361/600, 361/679, 683, 686; 200/6 R; 206/701; 320/113-115, 320/107; 379/426; 455/557, 556.1, 556.2, 455/573; 345/156, 901, 905; 439/374, 131, 439/529, 534, 929, 346, 31, 640; 235/472.01; 248/309.1, 221.11; 429/100; D21/333, 392; D19/65; 24/303; D8/395

See application file for complete search history.

(56) **References Cited**

U.S. PATENT DOCUMENTS

D368,704 S * 4/1996 Tanaka D14/434
5,619,397 A * 4/1997 Honda et al. 361/679.43
5,751,547 A * 5/1998 Honda et al. 361/679.43
D439,218 S * 3/2001 Yu D13/103
D474,736 S * 5/2003 Sagawa D13/108
D489,325 S * 5/2004 Nakamura D13/110
D494,114 S * 8/2004 Kneefel et al. D12/169
D508,459 S * 8/2005 Yoshida D13/108
6,937,468 B2 * 8/2005 Lin et al. 361/679.41
D516,026 S * 2/2006 Barrett et al. D13/108
D524,244 S * 7/2006 Hussaini et al. D14/209.1

D524,729 S * 7/2006 Hussaini et al. D13/108
D525,572 S * 7/2006 Ikeda D12/169
D525,581 S * 7/2006 Rad et al. D13/103
D525,935 S * 8/2006 Hussaini et al. D13/108
D543,985 S * 6/2007 Hussaini et al. D14/434
D546,760 S * 7/2007 Aguilar et al. D13/108
D584,313 S * 1/2009 Pittel et al. D14/434
D595,722 S * 7/2009 Miyawaki D14/447
D602,938 S * 10/2009 Ward et al. D14/434
2005/0111182 A1 * 5/2005 Lin et al. 361/686

FOREIGN PATENT DOCUMENTS

JP D112796 S 3/1955
JP D1337710 S 8/2008
TW D-112796 9/2006

OTHER PUBLICATIONS

Taiwan IPO Search Report of Patent Application No. 097303340 issued on Jun. 4, 2009 (Taiwan).

* cited by examiner

Primary Examiner—Susan Moon Lee

(74) *Attorney, Agent, or Firm*—Rader, Fishman & Grauer PLLC

(57) **CLAIM**

I claim the ornamental design for a supporting base for portable electronic device, as shown and described.

DESCRIPTION

FIG. 1 is a front elevational view of a supporting base for portable electronic device showing my new design;

FIG. 2 is a rear elevational view thereof;

FIG. 3 is a left side elevational view thereof;

FIG. 4 is a right side elevational view thereof;

FIG. 5 is a top plan view thereof;

FIG. 6 is a bottom plan view thereof;

FIG. 7 is a front perspective view thereof; and,

FIG. 8 is a rear perspective view thereof.

1 Claim, 8 Drawing Sheets

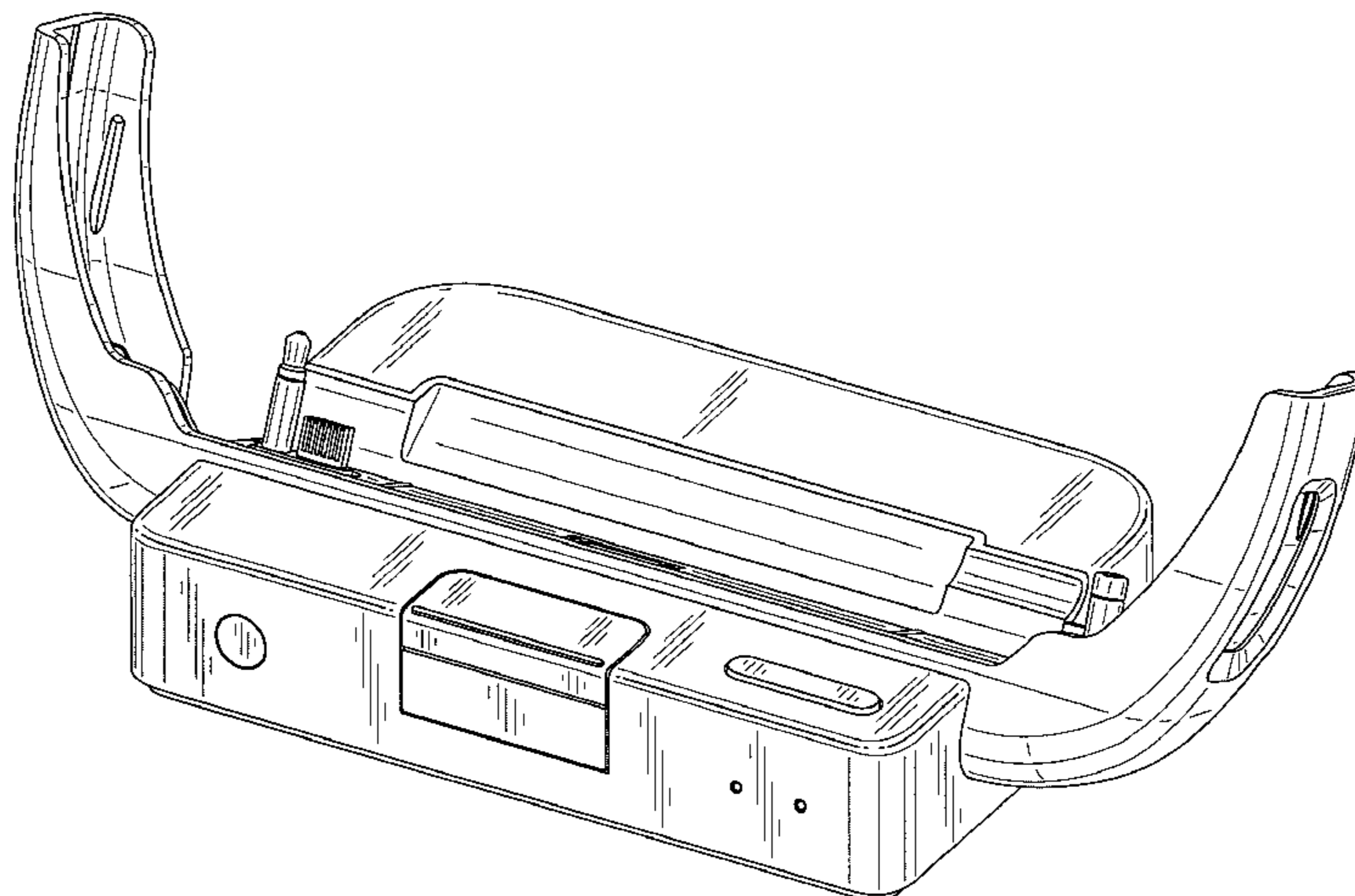


FIG.1

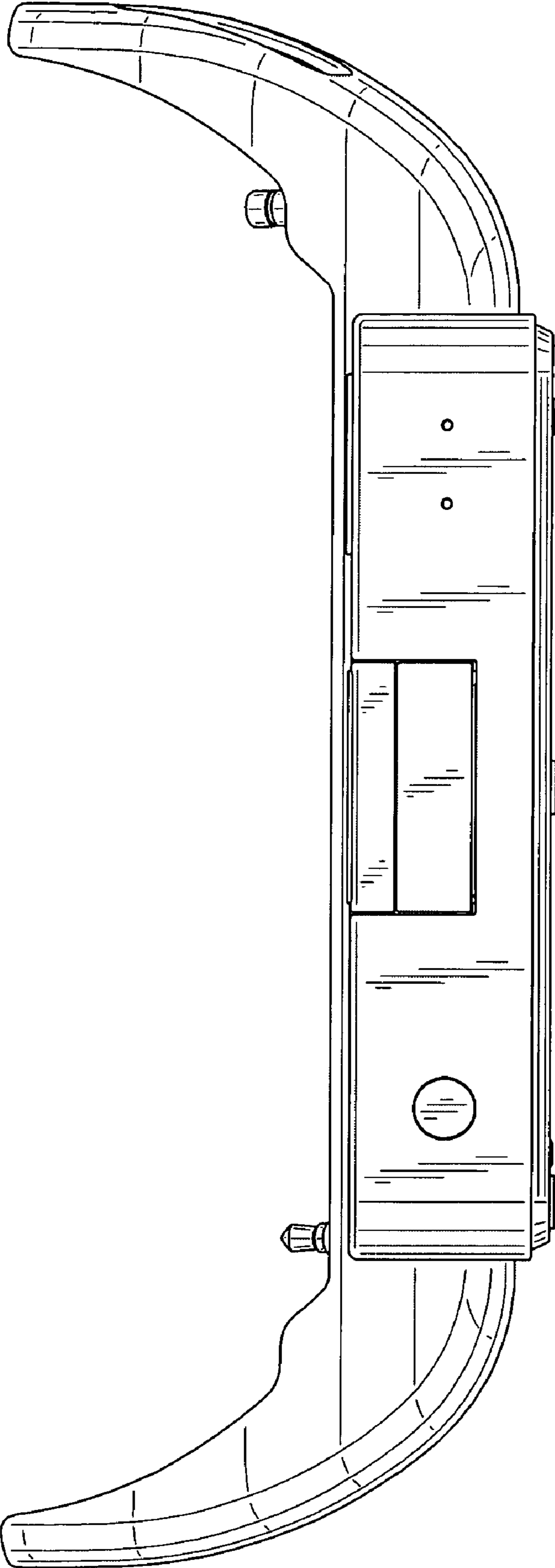


FIG.2

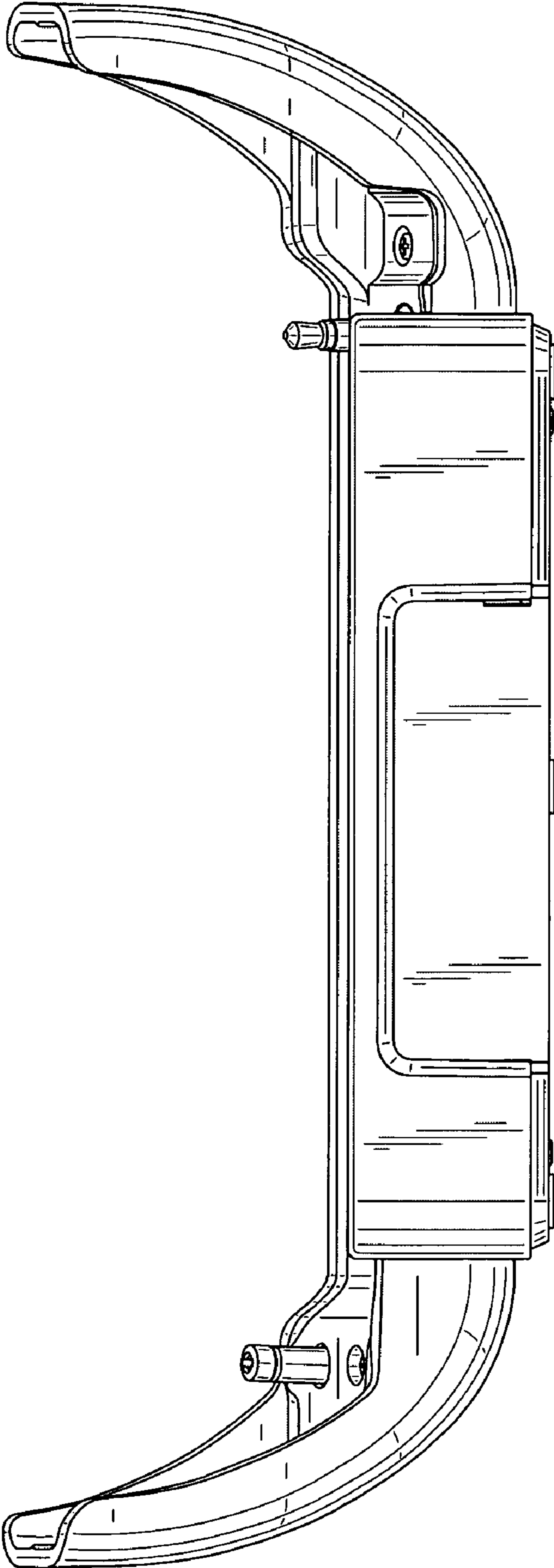


FIG. 3

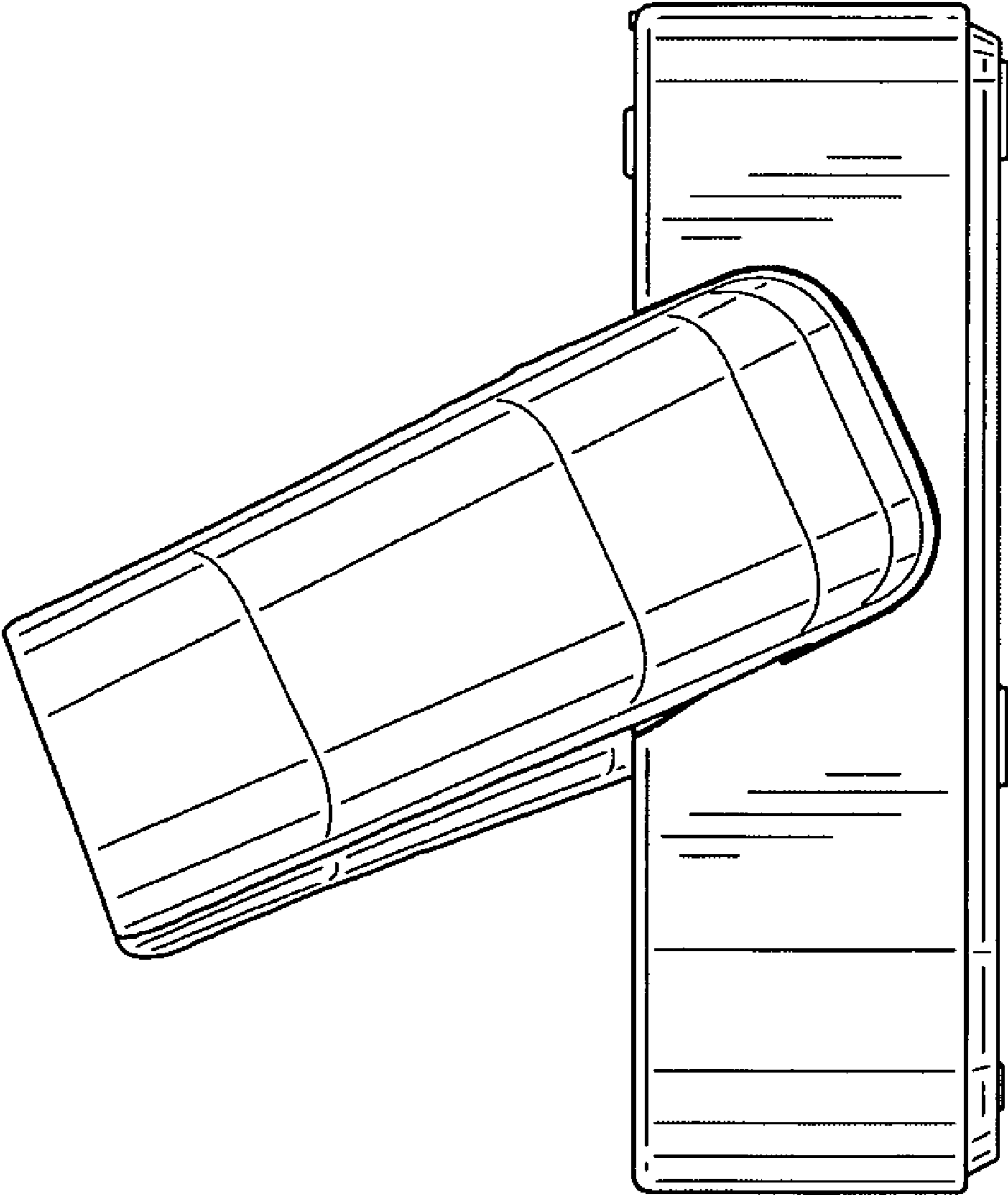


FIG.4

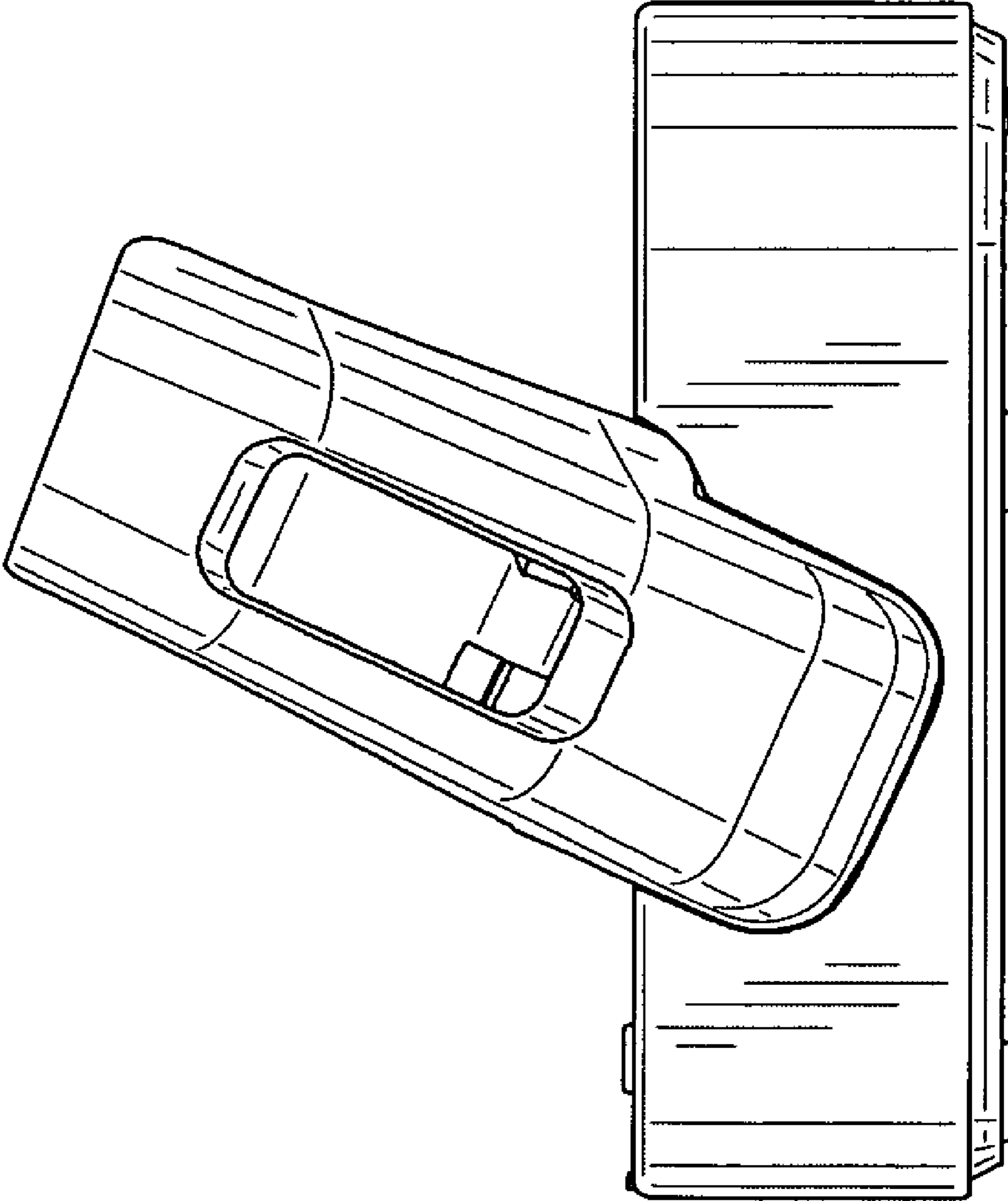


FIG. 5

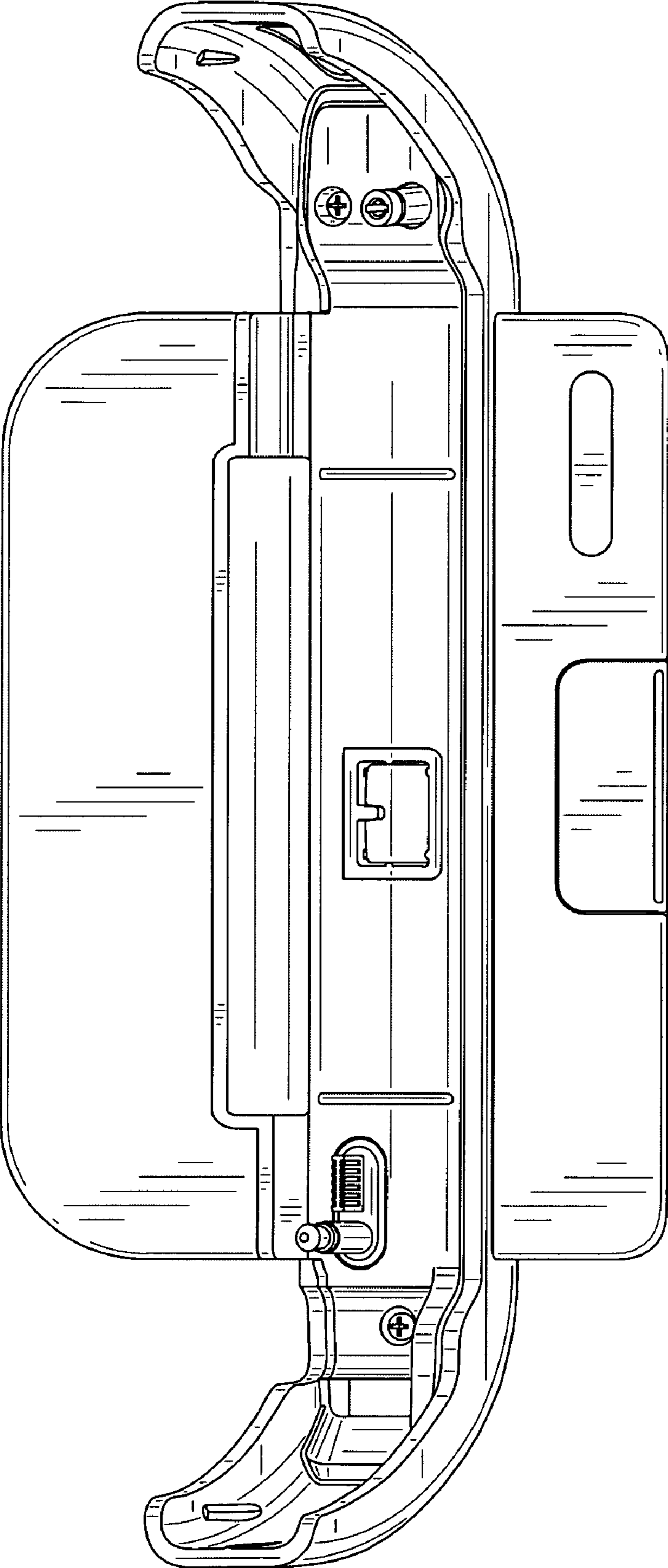


FIG.6

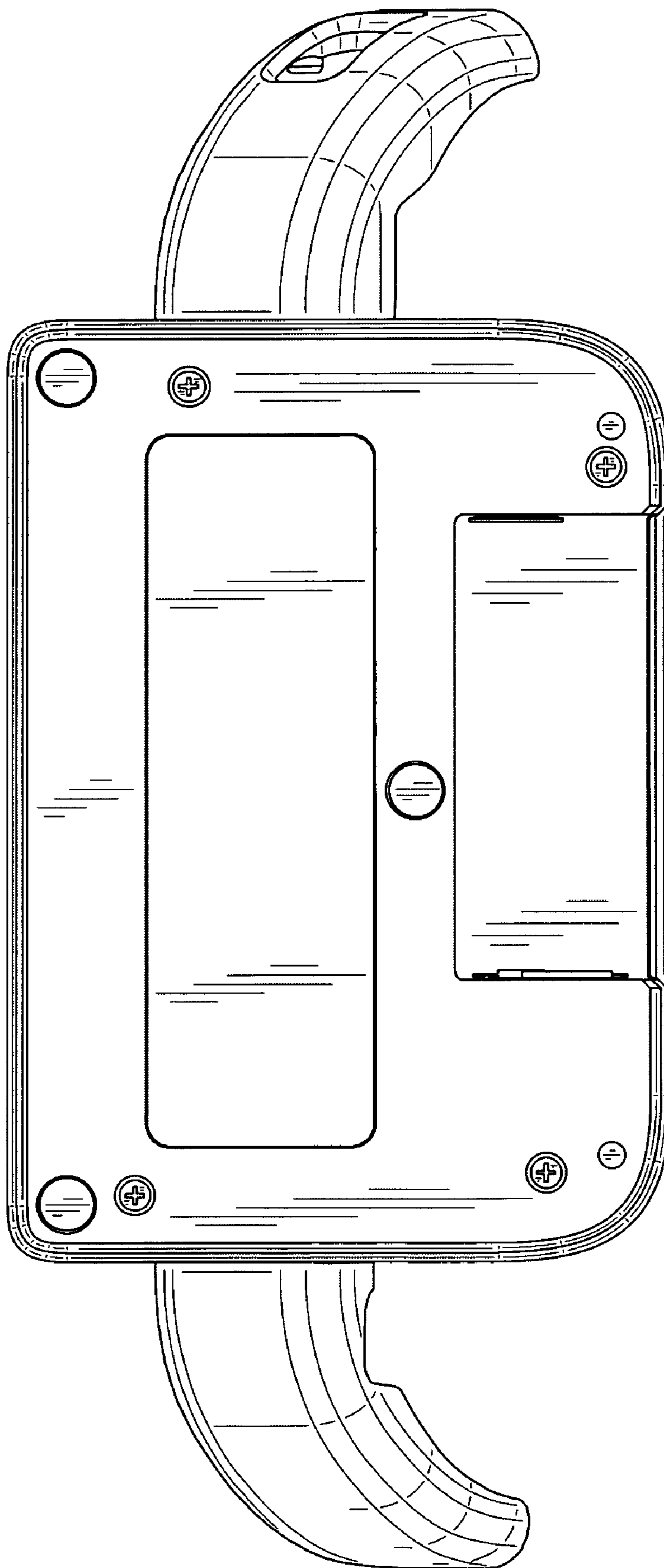
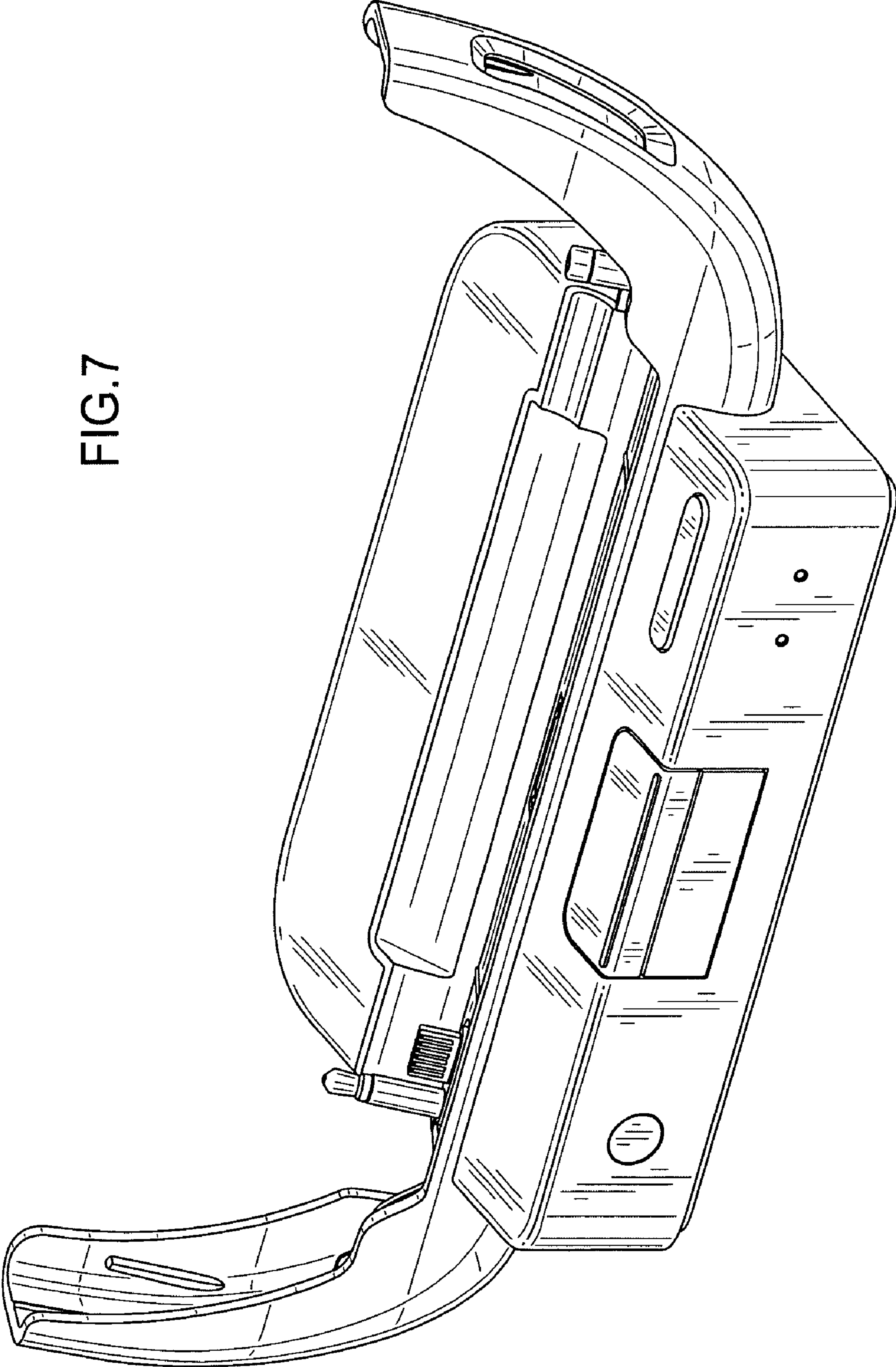


FIG. 7



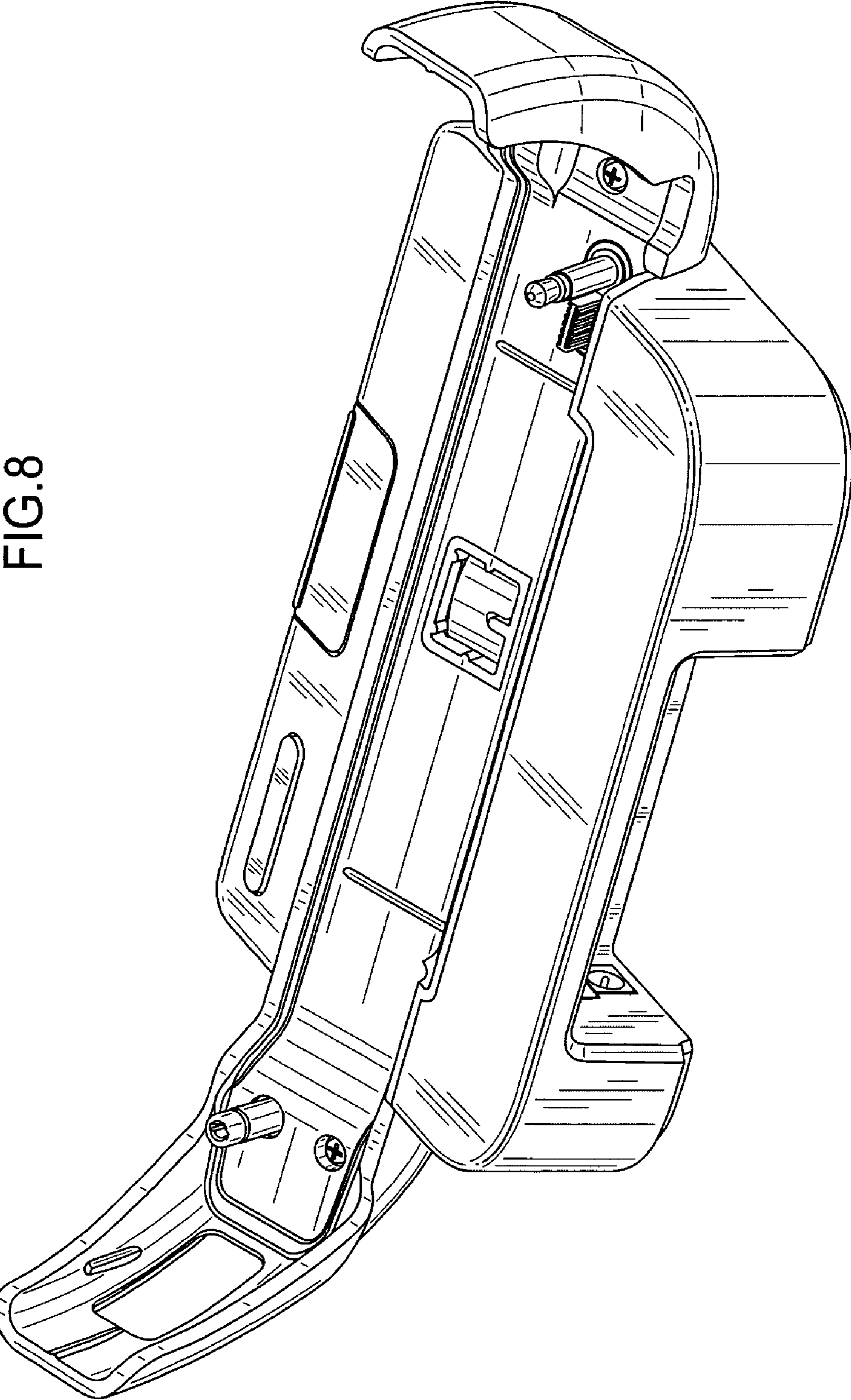


FIG.8