



US00D618687S

(12) **United States Design Patent**  
**Ito**

(10) **Patent No.:** **US D618,687 S**  
(45) **Date of Patent:** **\*\* Jun. 29, 2010**

(54) **CONTROLLER FOR GAME MACHINE**

(75) Inventor: **Go Ito**, Tokyo (JP)

(73) Assignee: **Namco Bandai Games, Inc.**, Tokyo (JP)

(\*\*) Term: **14 Years**

(21) Appl. No.: **29/333,593**

(22) Filed: **Mar. 12, 2009**

(30) **Foreign Application Priority Data**

Sep. 12, 2008 (JP) ..... 2008-23540

(51) **LOC (9) Cl.** ..... **14-03**

(52) **U.S. Cl.** ..... **D14/418**

(58) **Field of Classification Search** ..... D14/399-402,  
D14/418, 496; D21/324, 328, 333, 573,  
D21/575; 273/148 B, 440, 459, 460; 463/1,  
463/30-36, 46, 47; 345/156, 161; 434/16,  
434/18, 19, 20, 24

See application file for complete search history.

(56) **References Cited**

**U.S. PATENT DOCUMENTS**

3,655,192 A \* 4/1972 Hall et al. .... 463/51  
4,175,747 A \* 11/1979 Hudson ..... 463/49  
5,569,085 A \* 10/1996 Igarashi et al. .... 463/49  
D398,661 S \* 9/1998 Lee ..... D21/333  
D433,074 S \* 10/2000 Clemmer ..... D21/324  
D434,086 S \* 11/2000 Ford ..... D21/328  
D436,108 S \* 1/2001 Lee ..... D14/418

D451,557 S \* 12/2001 Yu ..... D21/328  
D467,926 S \* 12/2002 Lin ..... D14/418  
6,902,483 B2 \* 6/2005 Lin ..... 463/37  
D521,568 S \* 5/2006 Hussaini et al. .... D21/333  
D524,871 S \* 7/2006 Nunokawa ..... D21/333  
D541,806 S \* 5/2007 Wada ..... D14/418

\* cited by examiner

*Primary Examiner*—Prabhakar Deshmukh

(74) *Attorney, Agent, or Firm*—Olliff & Berridge, PLC

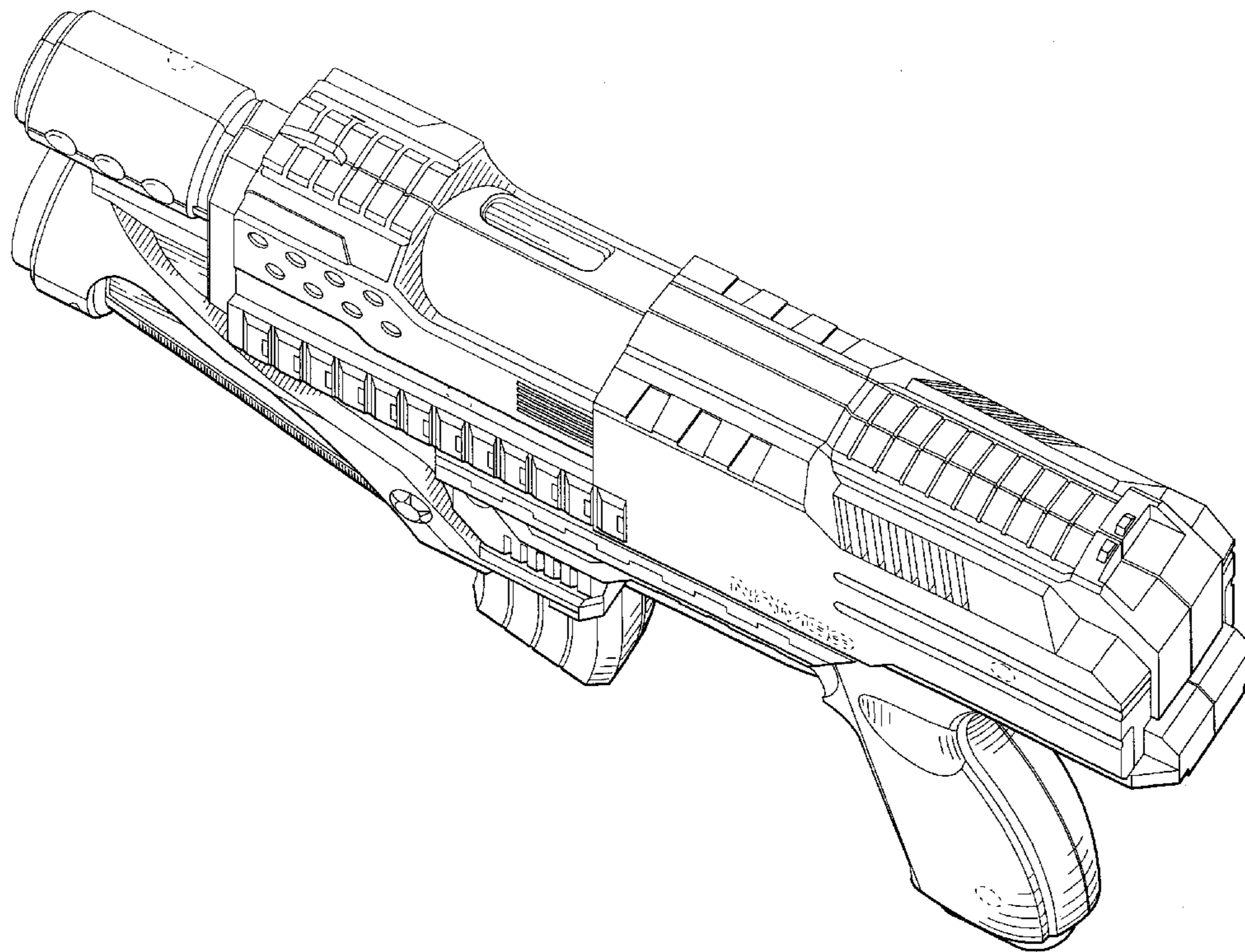
(57) **CLAIM**

The ornamental design for a controller for game machine, as shown and described.

**DESCRIPTION**

FIG. 1 is a perspective view of a controller for game machine;  
FIG. 2 is a front view thereof;  
FIG. 3 is a top view thereof;  
FIG. 4 is a right-side view thereof;  
FIG. 5 is a left-side view thereof;  
FIG. 6 is a rear view thereof;  
FIG. 7 is a bottom view thereof;  
FIG. 8 is another perspective view thereof; and,  
FIG. 9 is an enlarged partial view thereof as shown in FIG. 2.  
The broken lines depict environmental subject matter only and form no part of the claimed design.

**1 Claim, 8 Drawing Sheets**



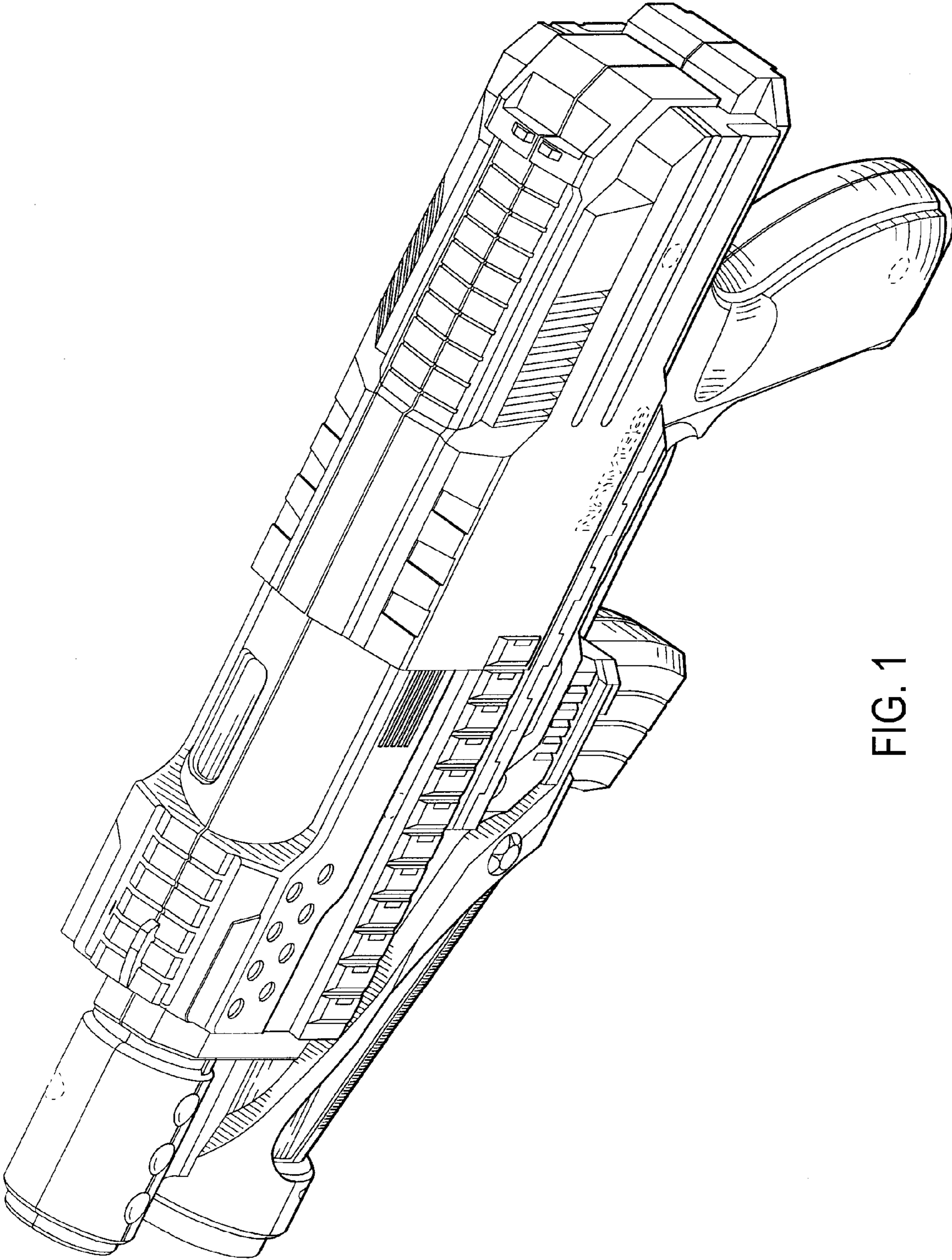


FIG. 1



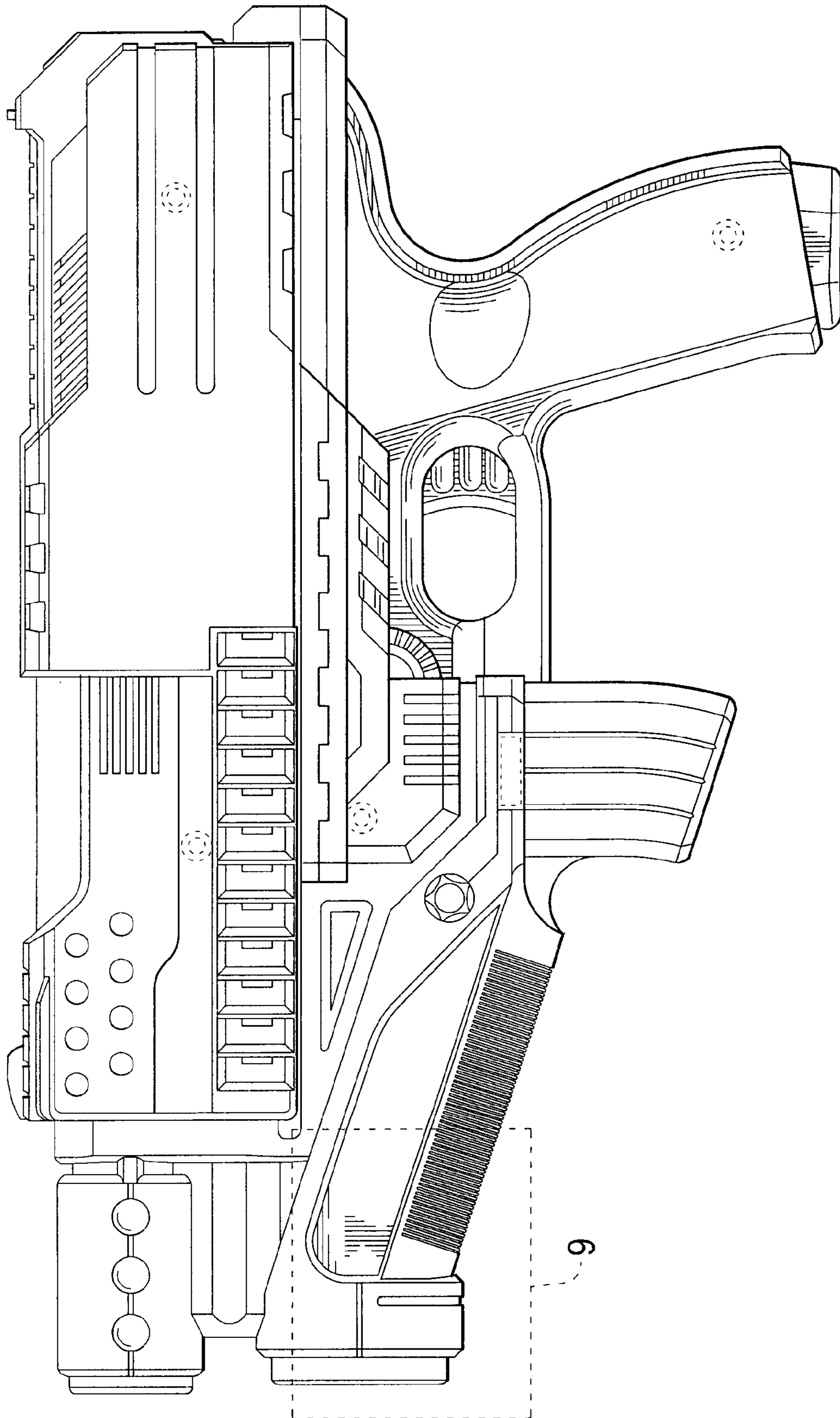


FIG. 2

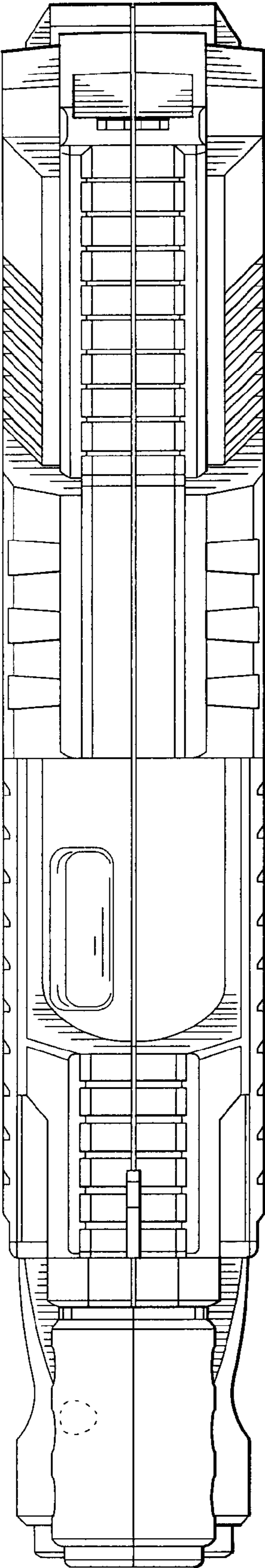


FIG. 3

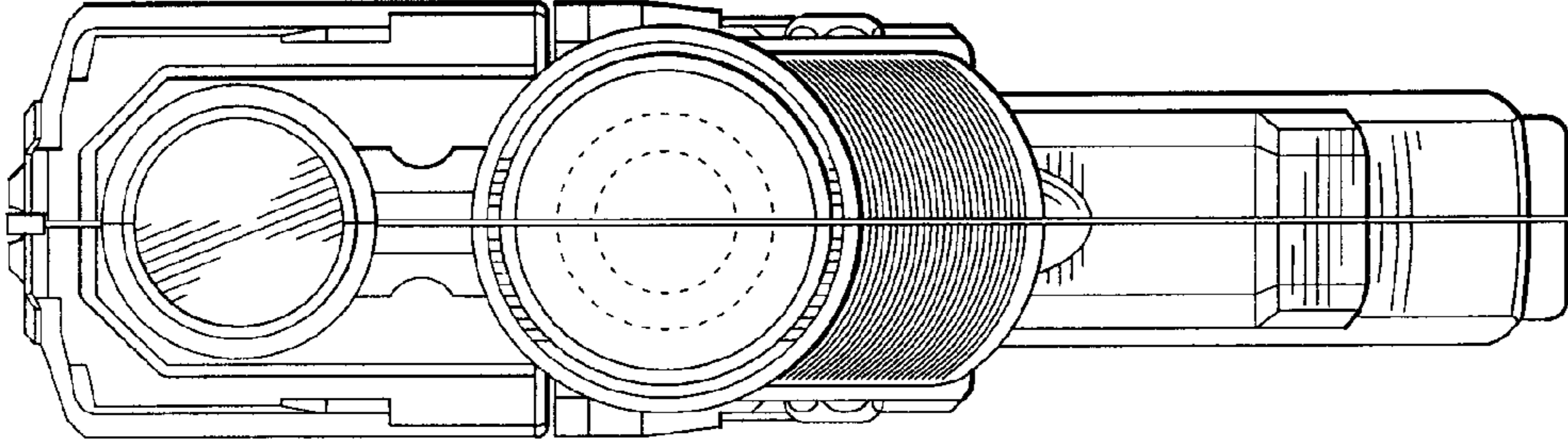


FIG. 5

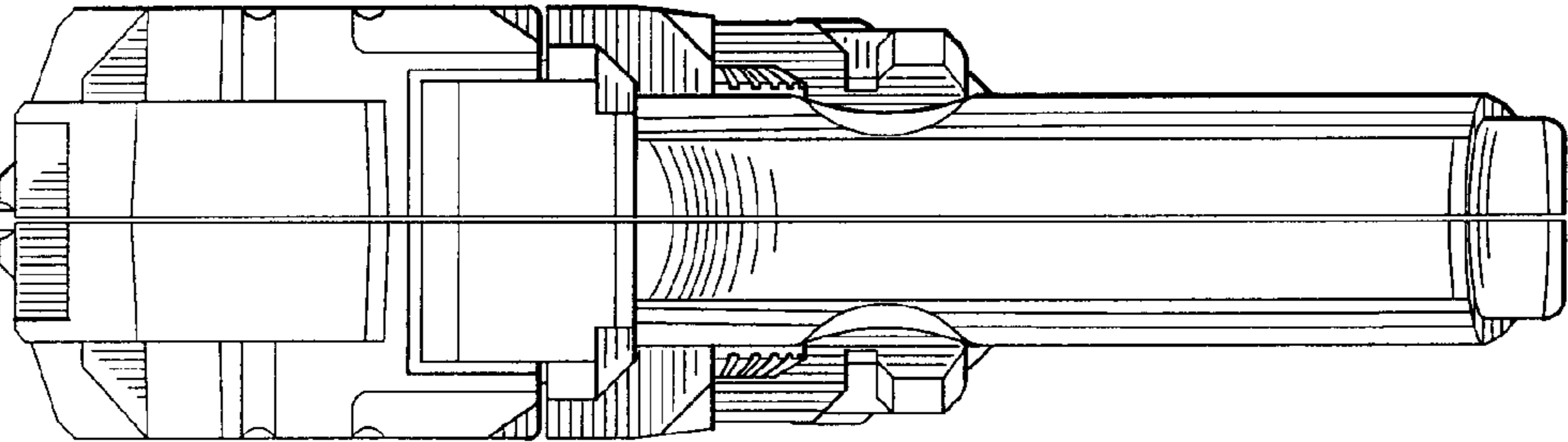


FIG. 4

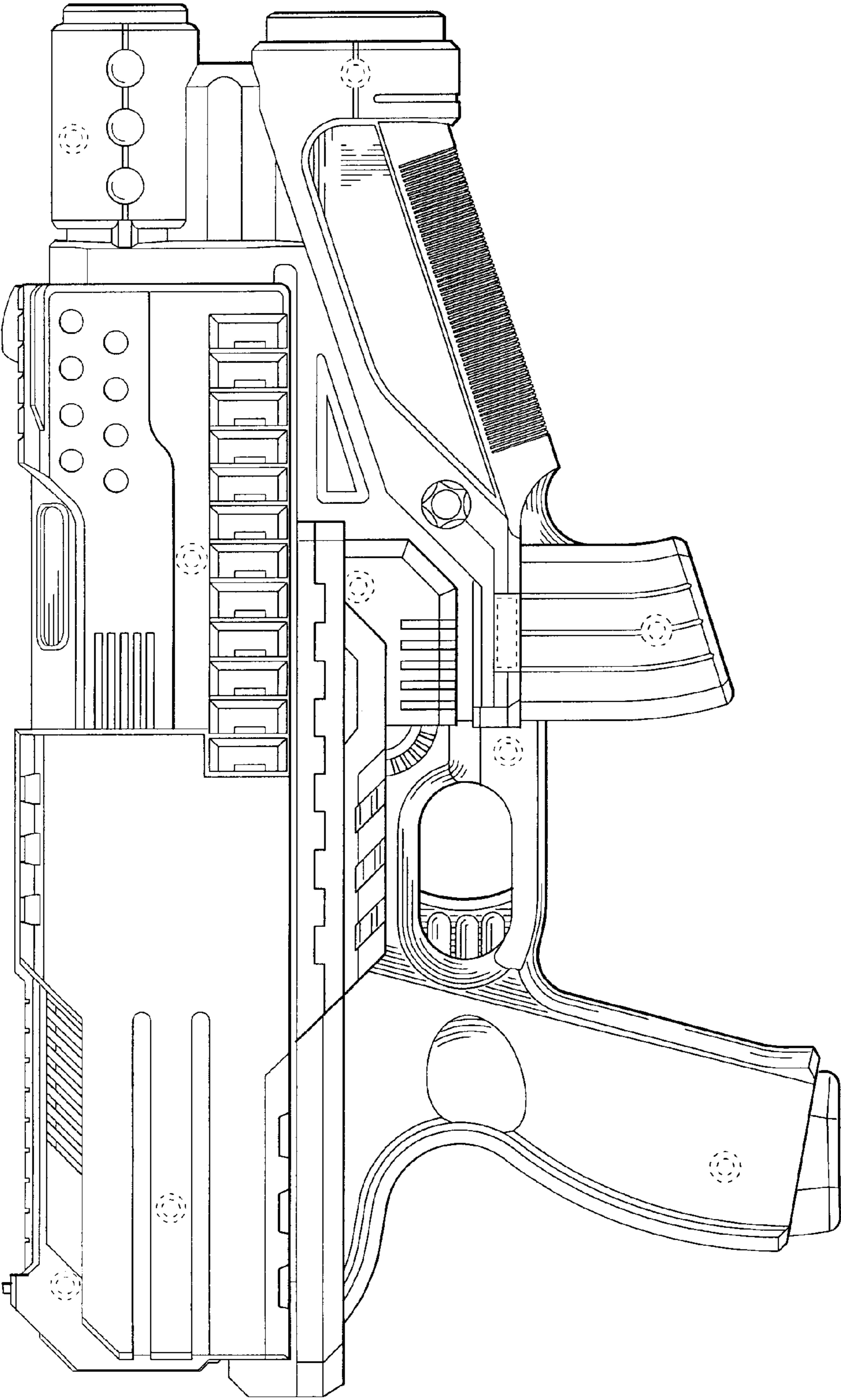


FIG. 6

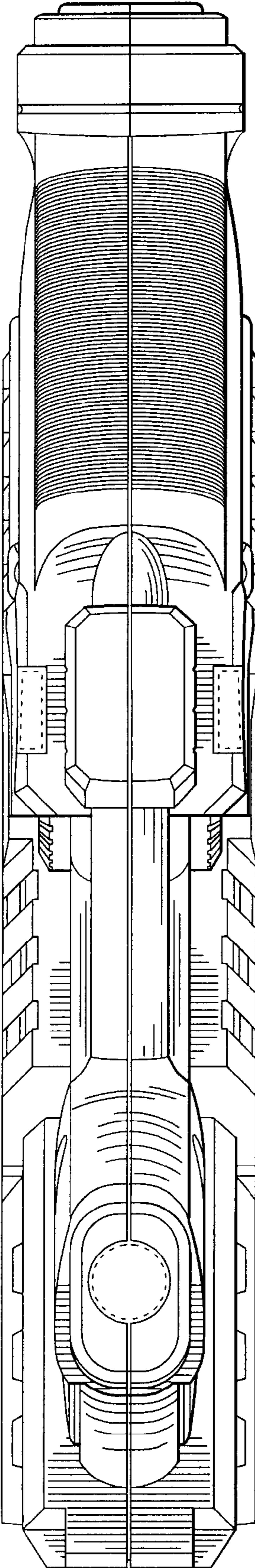


FIG. 7



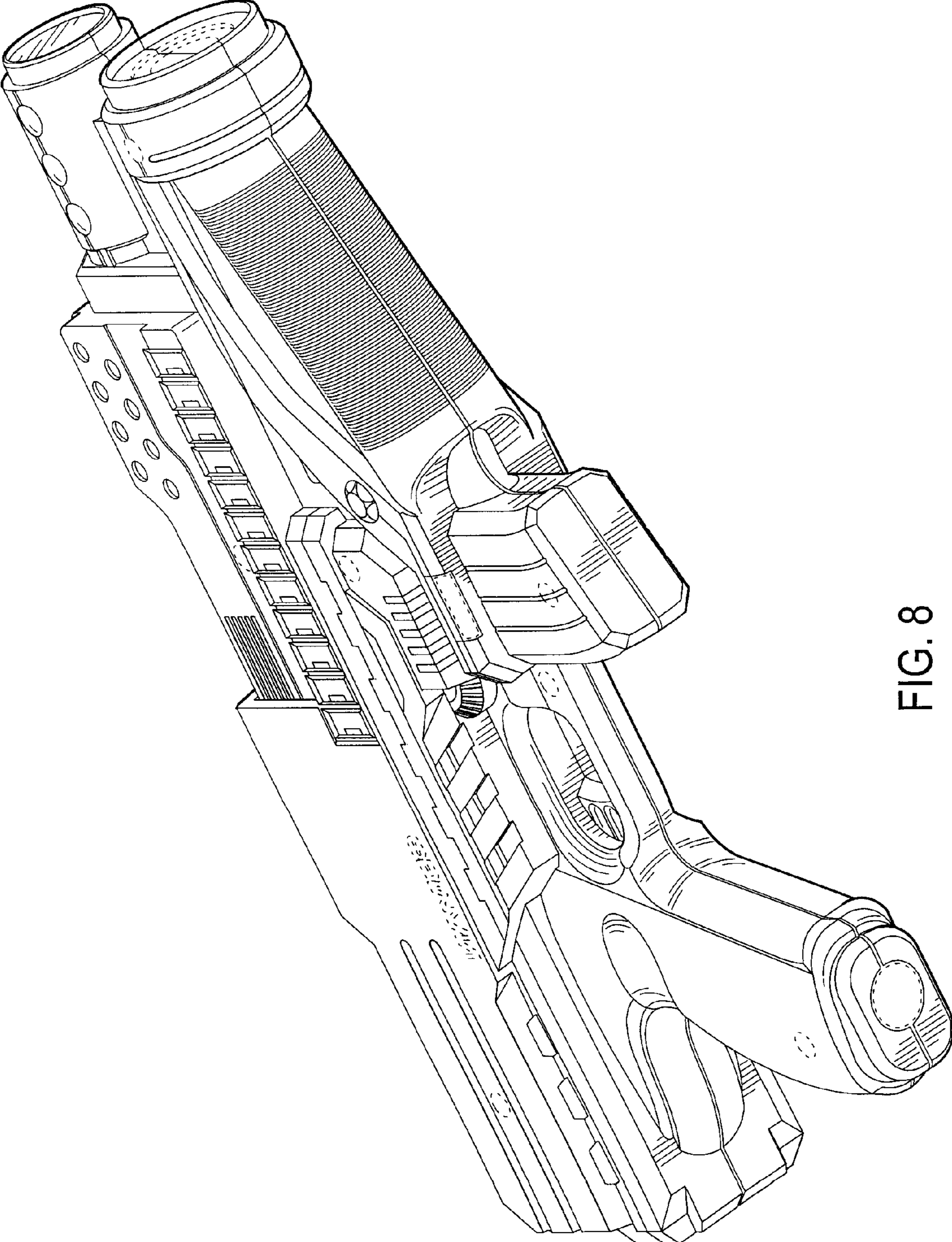


FIG. 8



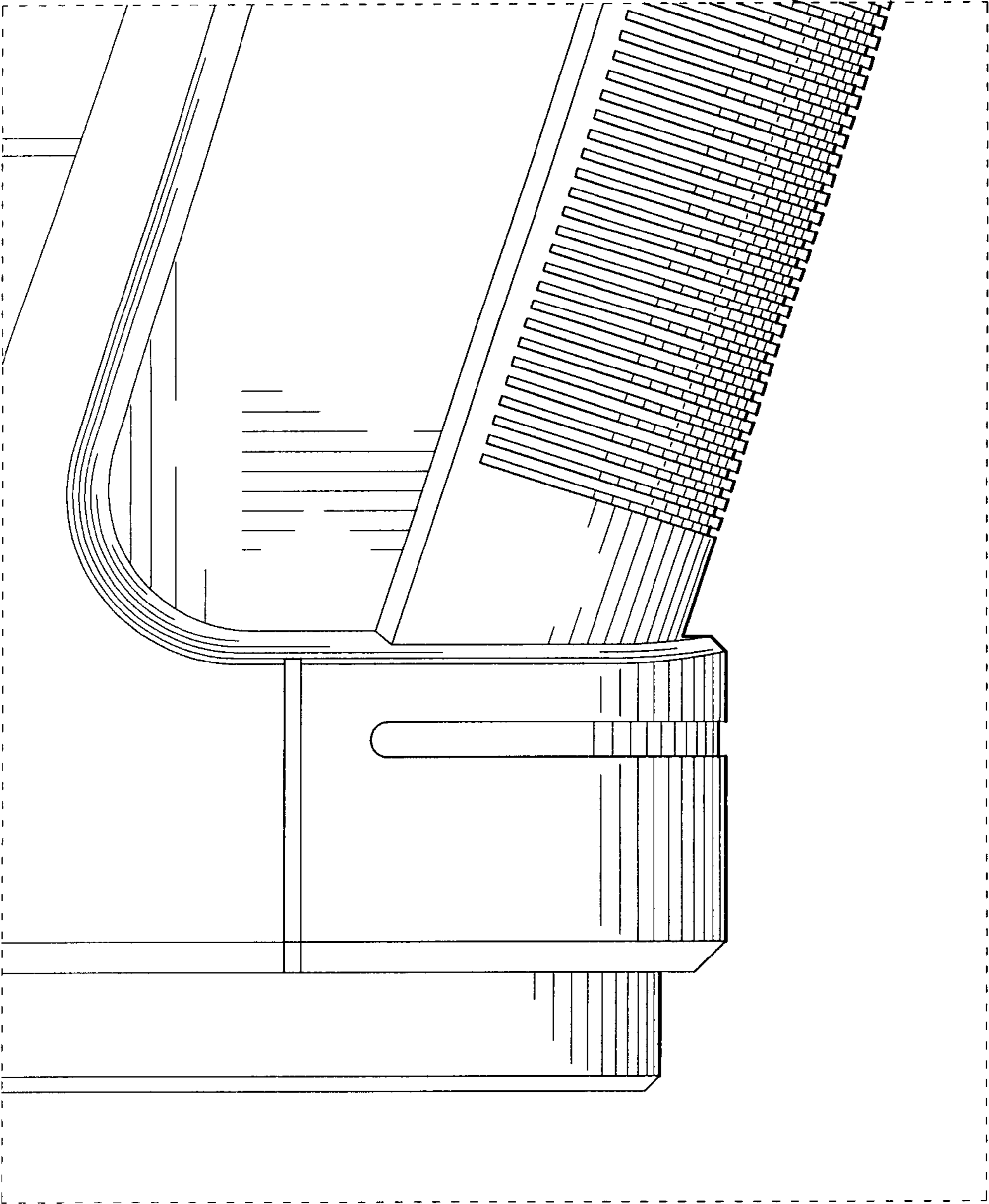


FIG. 9