



US00D618684S

(12) **United States Design Patent**
Ng

(10) **Patent No.:** **US D618,684 S**
(45) **Date of Patent:** **** Jun. 29, 2010**

(54) **ELECTRONIC MOUSE**

D598,021 S 8/2009 Kujawski
D599,353 S 9/2009 Kujawski

(75) Inventor: **Po-Yi Ng**, Seattle, WA (US)

Primary Examiner—Cathron C Brooks
Assistant Examiner—Austin Murphy

(73) Assignee: **Hewlett-Packard Development Company, L.P.**, Houston, TX (US)

(**) Term: **14 Years**

(57) **CLAIM**

(21) Appl. No.: **29/346,748**

The ornamental design for an electronic mouse, as shown and described.

(22) Filed: **Nov. 5, 2009**

DESCRIPTION

(51) **LOC (9) Cl.** **14-02**

FIG. 1 is a top view of an electronic mouse showing the new design;

(52) **U.S. Cl.** **D14/402**

FIG. 2 is a front view thereof;

(58) **Field of Classification Search** D14/402–411,
D14/356, 388, 389, 383–385, 417–426; 345/156–167;
463/36–38; 358/471, 473

FIG. 3 is a back view thereof;

See application file for complete search history.

FIG. 4 is a left side view thereof;

FIG. 5 is a right side view thereof; and,

FIG. 6 is a bottom view thereof.

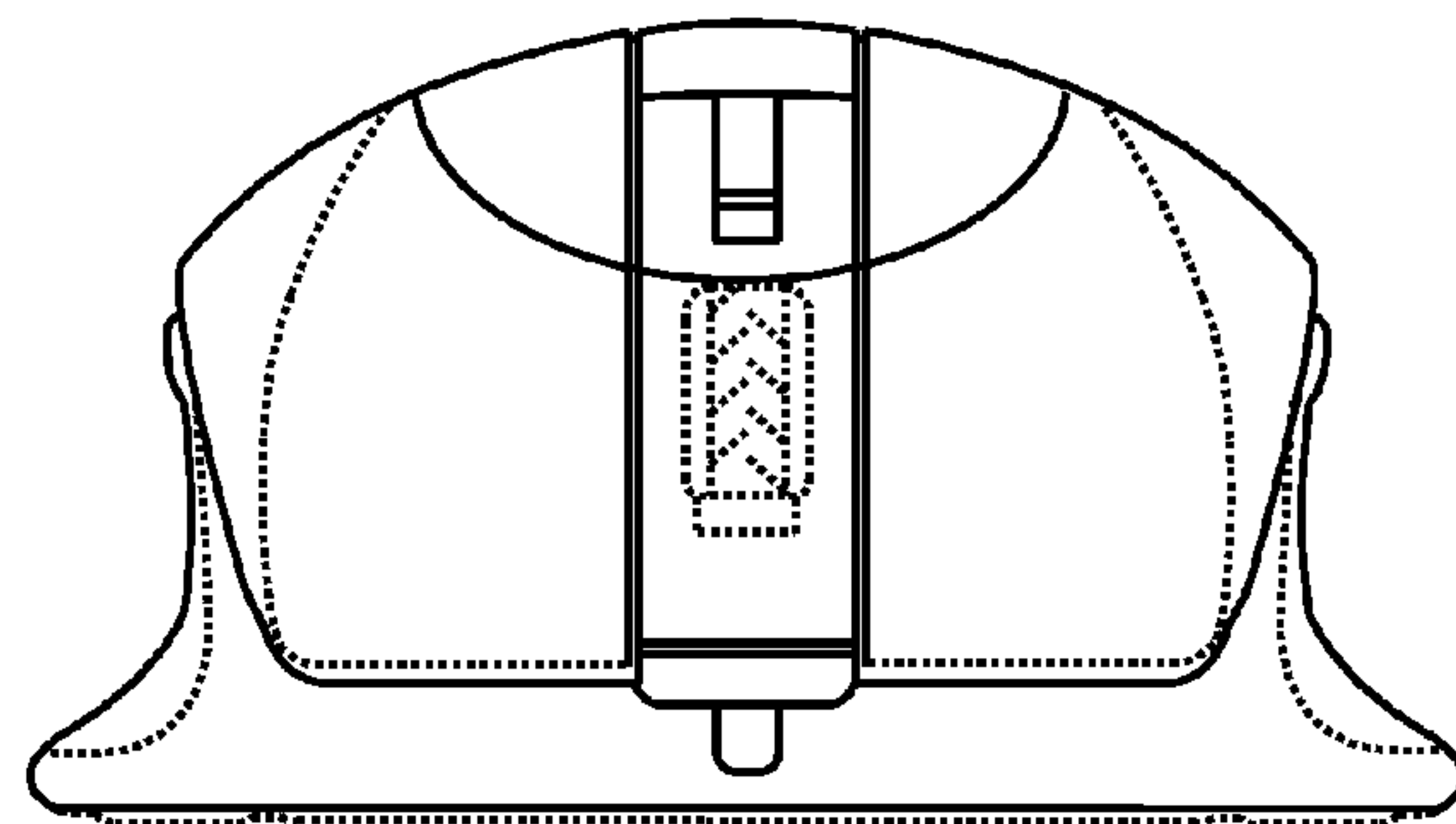
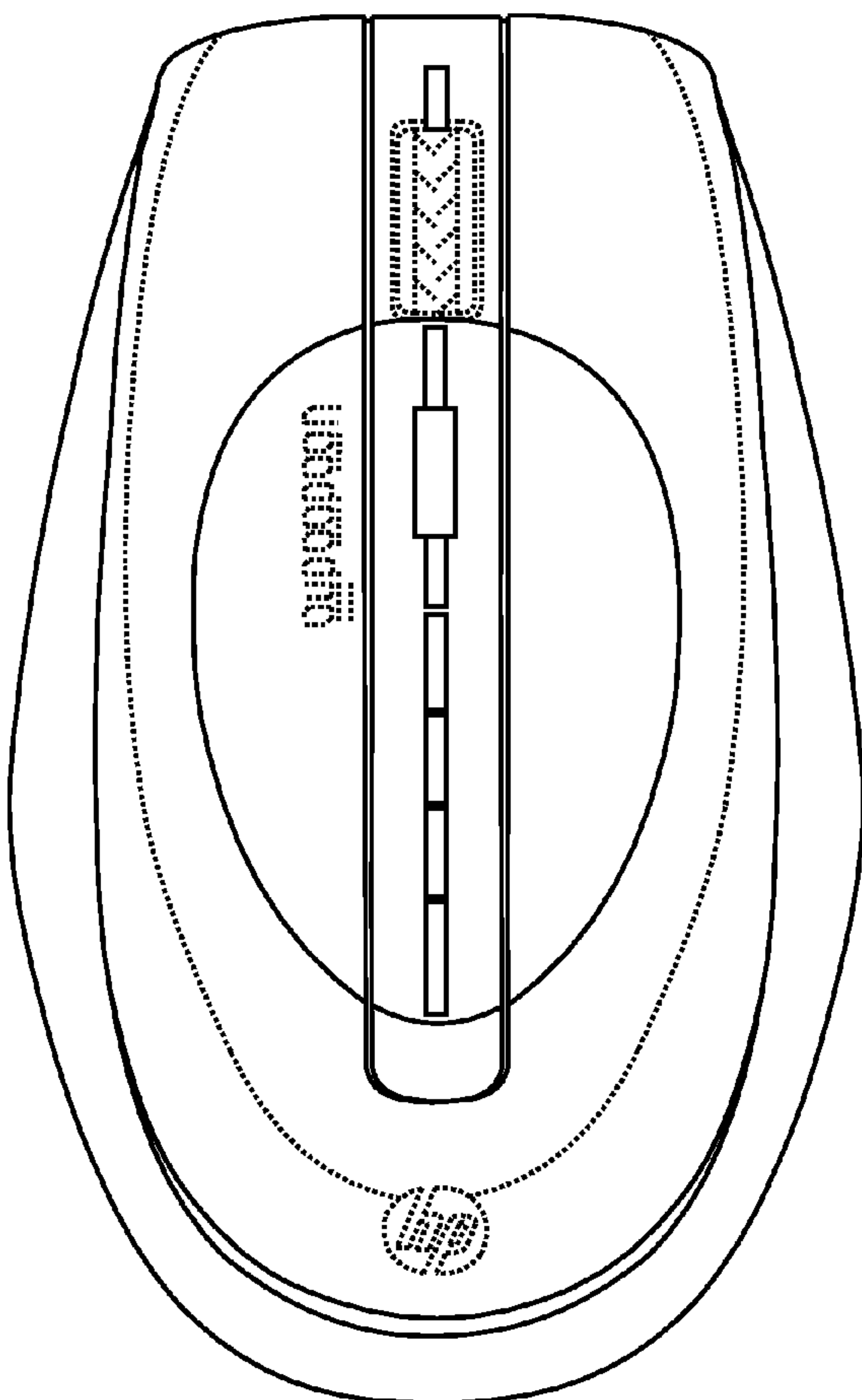
The broken lines shown in the drawings represent portions of the electronic mouse that form no part of the claimed design.

(56) **References Cited**

U.S. PATENT DOCUMENTS

D581,930 S 12/2008 Chatterjee
D591,749 S 5/2009 Huang
D592,665 S 5/2009 Andre

1 Claim, 5 Drawing Sheets



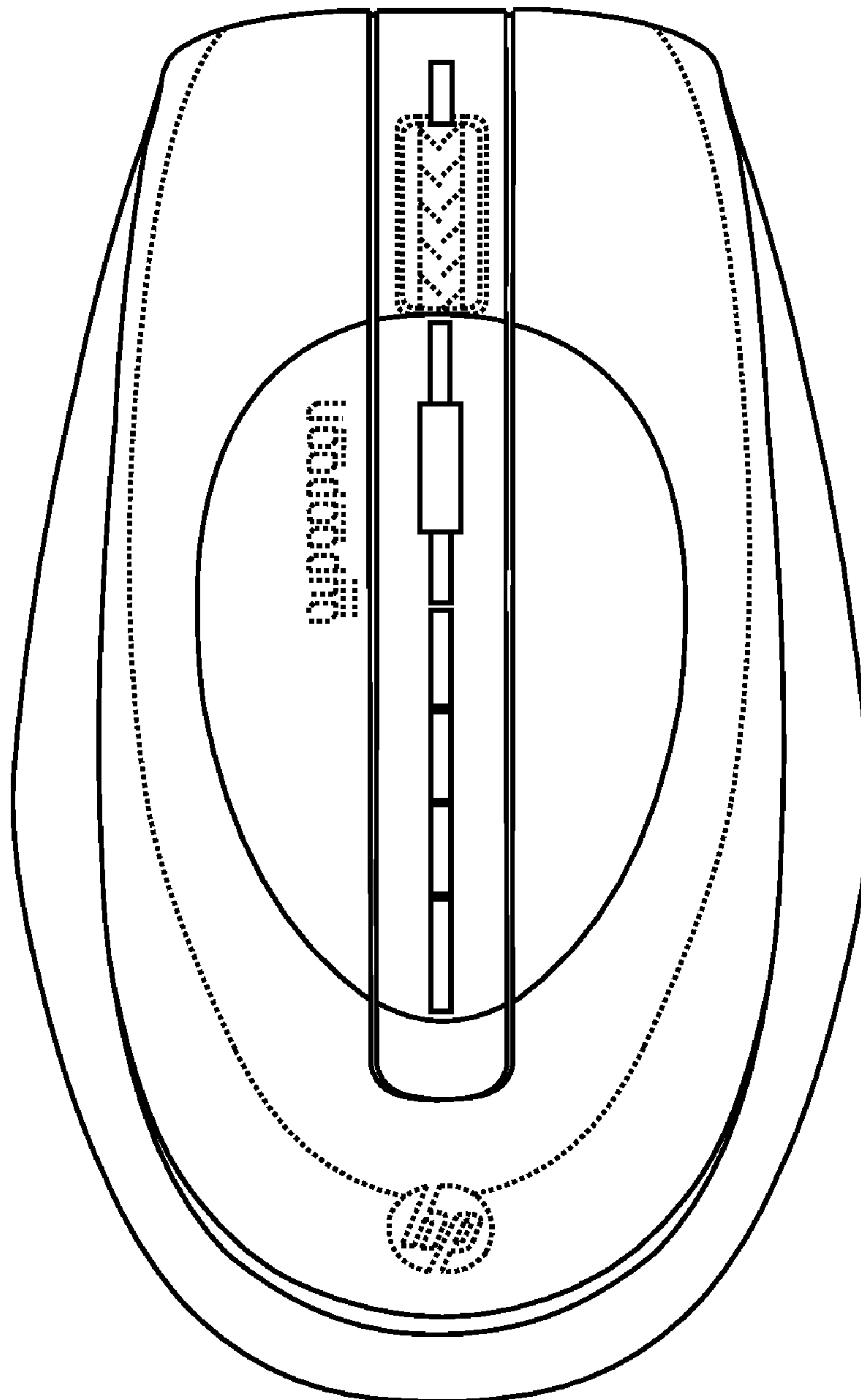


FIG. 1

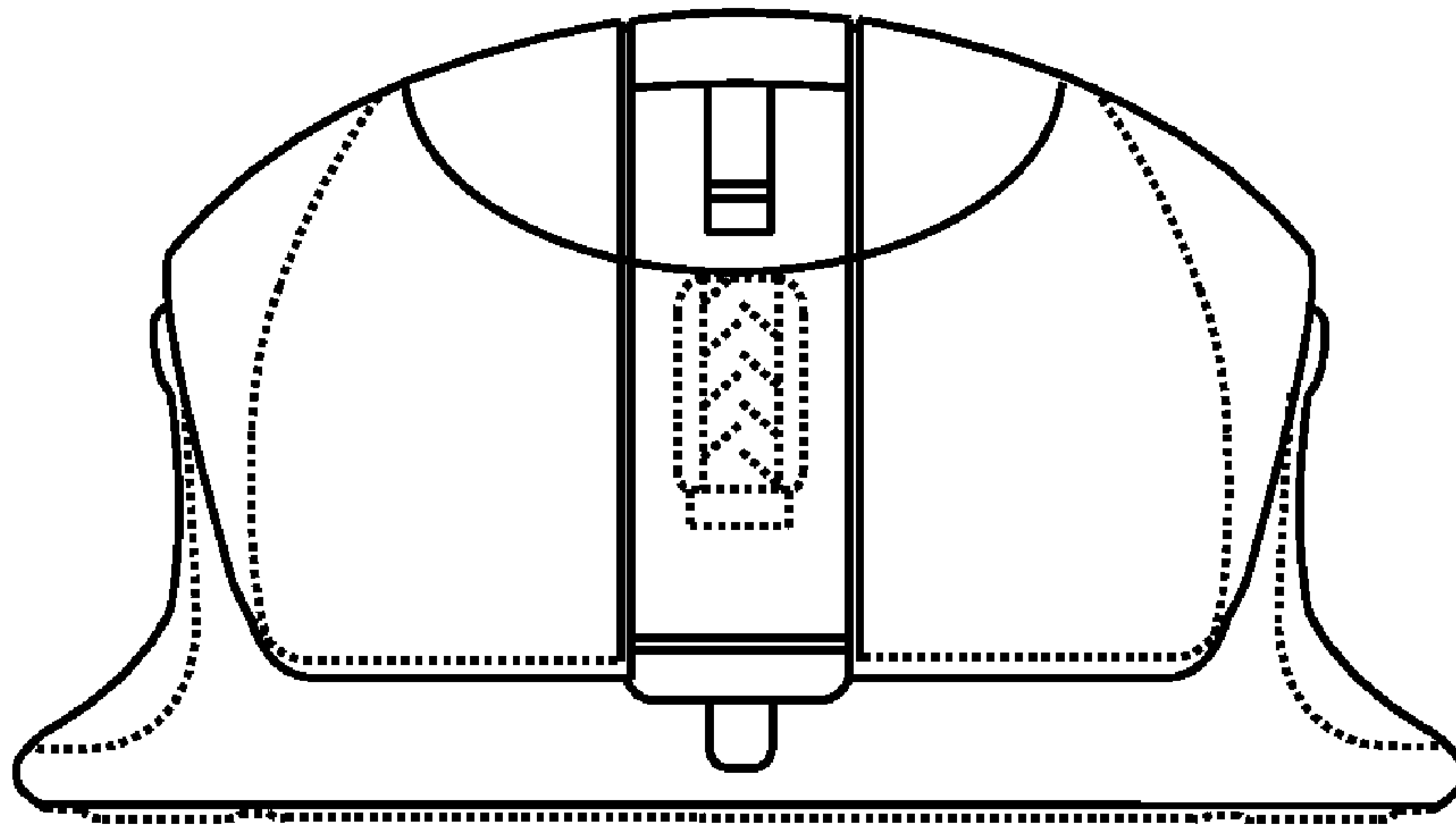


FIG. 2

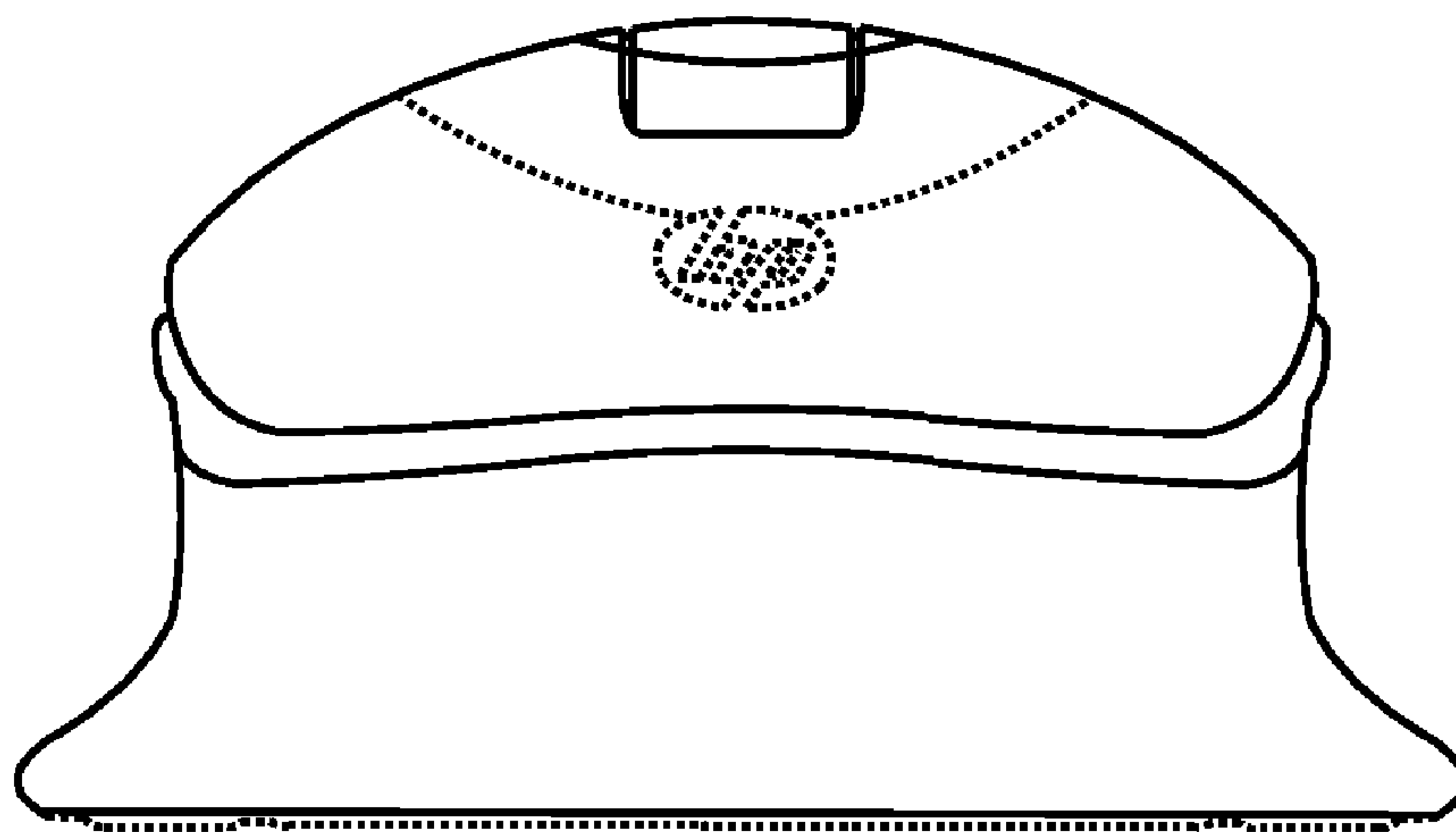


FIG. 3

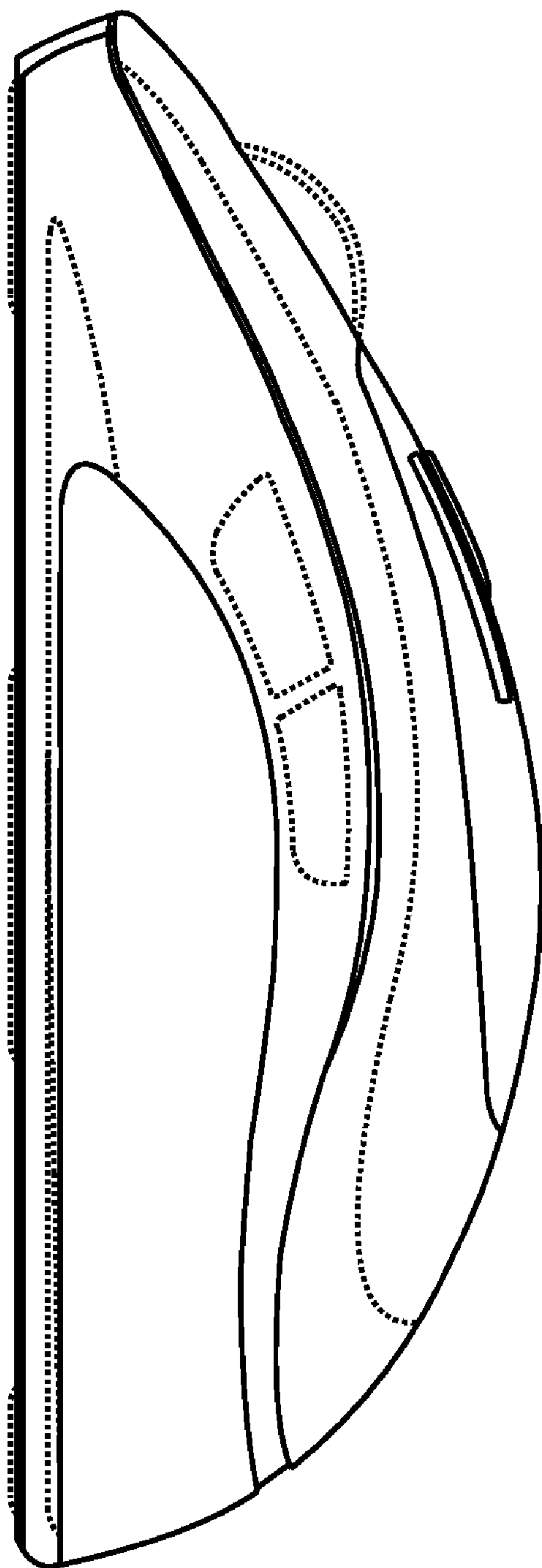


FIG. 4

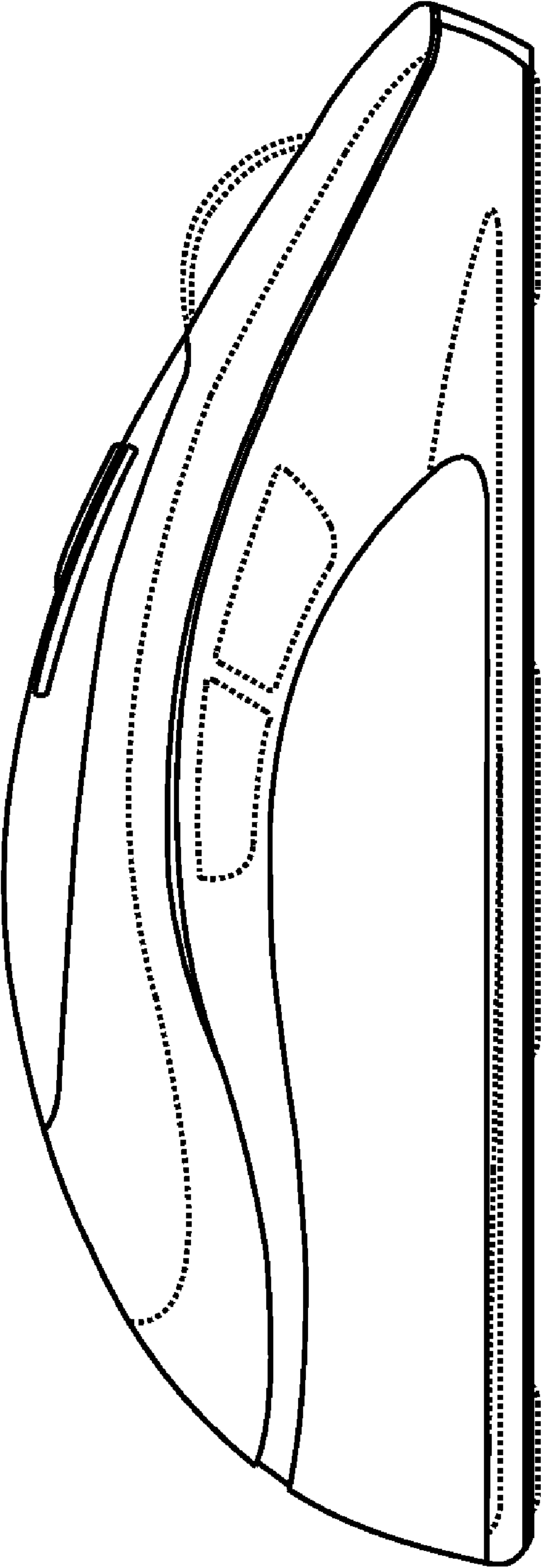


FIG. 5

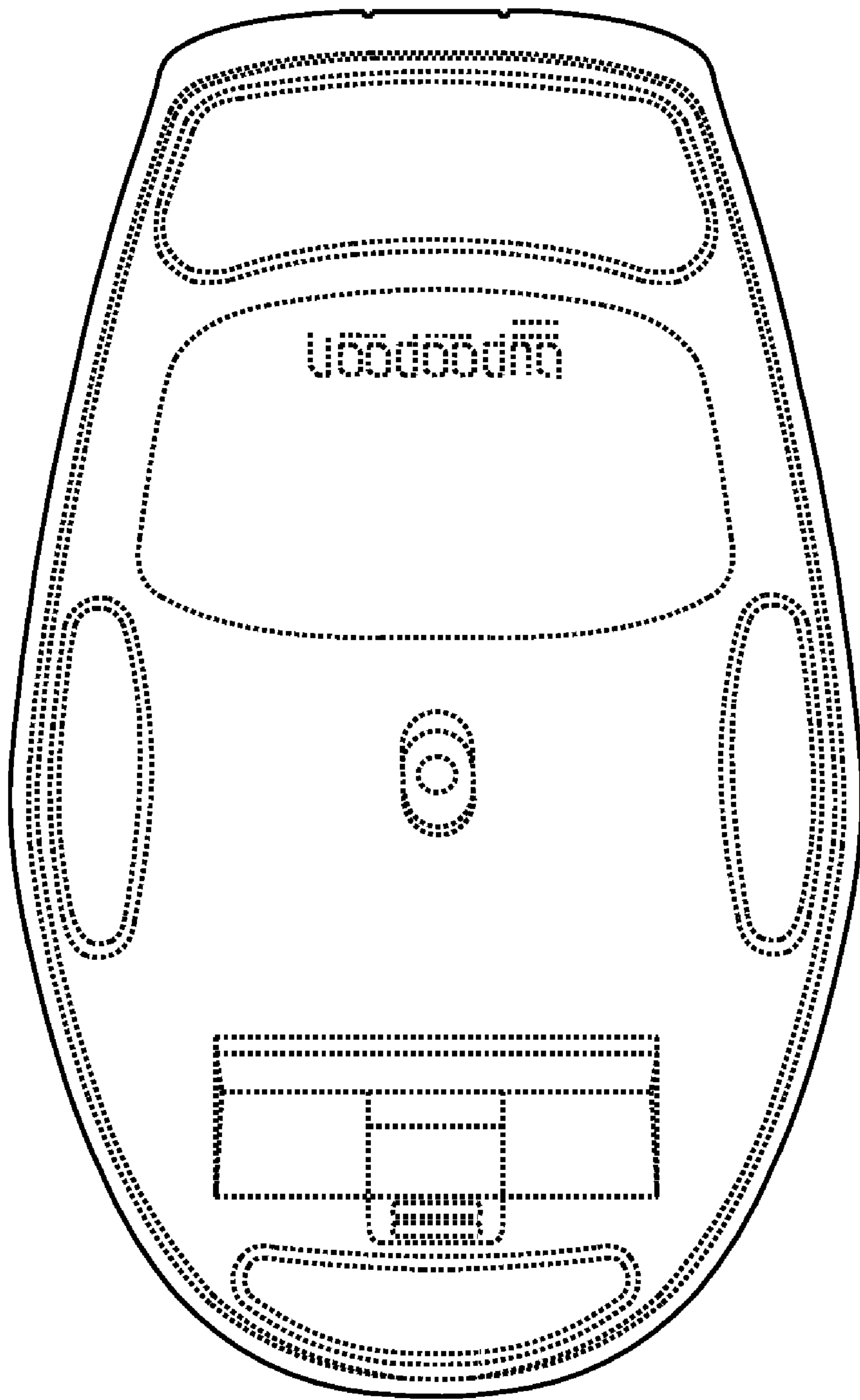


FIG. 6