



US00D618683S

(12) **United States Design Patent**
Wilson et al.

(10) **Patent No.:** **US D618,683 S**
(45) **Date of Patent:** **** Jun. 29, 2010**

(54) **DUAL DISPLAY DEVICE**

(75) Inventors: **Scott Harold Wilson**, Chicago, IL (US);
Stephen Christopher, Chicago, IL (US);
Jonathan Reed Harris, Redmond, WA
(US)

(73) Assignee: **Microsoft Corporation**, Redmond, WA
(US)

(**) Term: **14 Years**

(21) Appl. No.: **29/354,022**

(22) Filed: **Jan. 19, 2010**

Related U.S. Application Data

(63) Continuation of application No. 29/344,124, filed on
Sep. 23, 2009.

(51) **LOC (9) Cl.** **14-02**

(52) **U.S. Cl.** **D14/371**

(58) **Field of Classification Search** D14/371-375,
D14/126-129, 315, 318, 336, 337; 341/12;
345/104, 156, 168, 173, 87, 901-905; 348/180,
348/184, 373, 739; 349/1, 2, 58, 62; 248/917-924;
361/679.04

See application file for complete search history.

(56) **References Cited**

U.S. PATENT DOCUMENTS

D366,280 S * 1/1996 Henderson D19/52
D391,987 S * 3/1998 Jambhekar et al. D14/345

6,667,877 B2 * 12/2003 Duquette 361/679.04
D490,807 S * 6/2004 Murata D14/345
D511,162 S * 11/2005 Majumder D14/345
D517,545 S * 3/2006 Buckel et al. D14/345
D584,726 S * 1/2009 Morita D14/341
D588,126 S * 3/2009 Chiang et al. D14/345
2003/0090473 A1 * 5/2003 Joshi 345/173
2004/0212602 A1 * 10/2004 Nako et al. 345/173
2005/0264540 A1 * 12/2005 Niwa 345/173
2006/0109259 A1 * 5/2006 Ohta 345/173

* cited by examiner

Primary Examiner—Freda S Nunn

(74) *Attorney, Agent, or Firm*—Banner & Witcoff, Ltd.

(57) **CLAIM**

The ornamental design for a dual display device, as shown
and described.

DESCRIPTION

FIG. 1 is a front perspective view of a dual display device
showing our new design;

FIG. 2 is a front view thereof;

FIG. 3 is a top side view thereof;

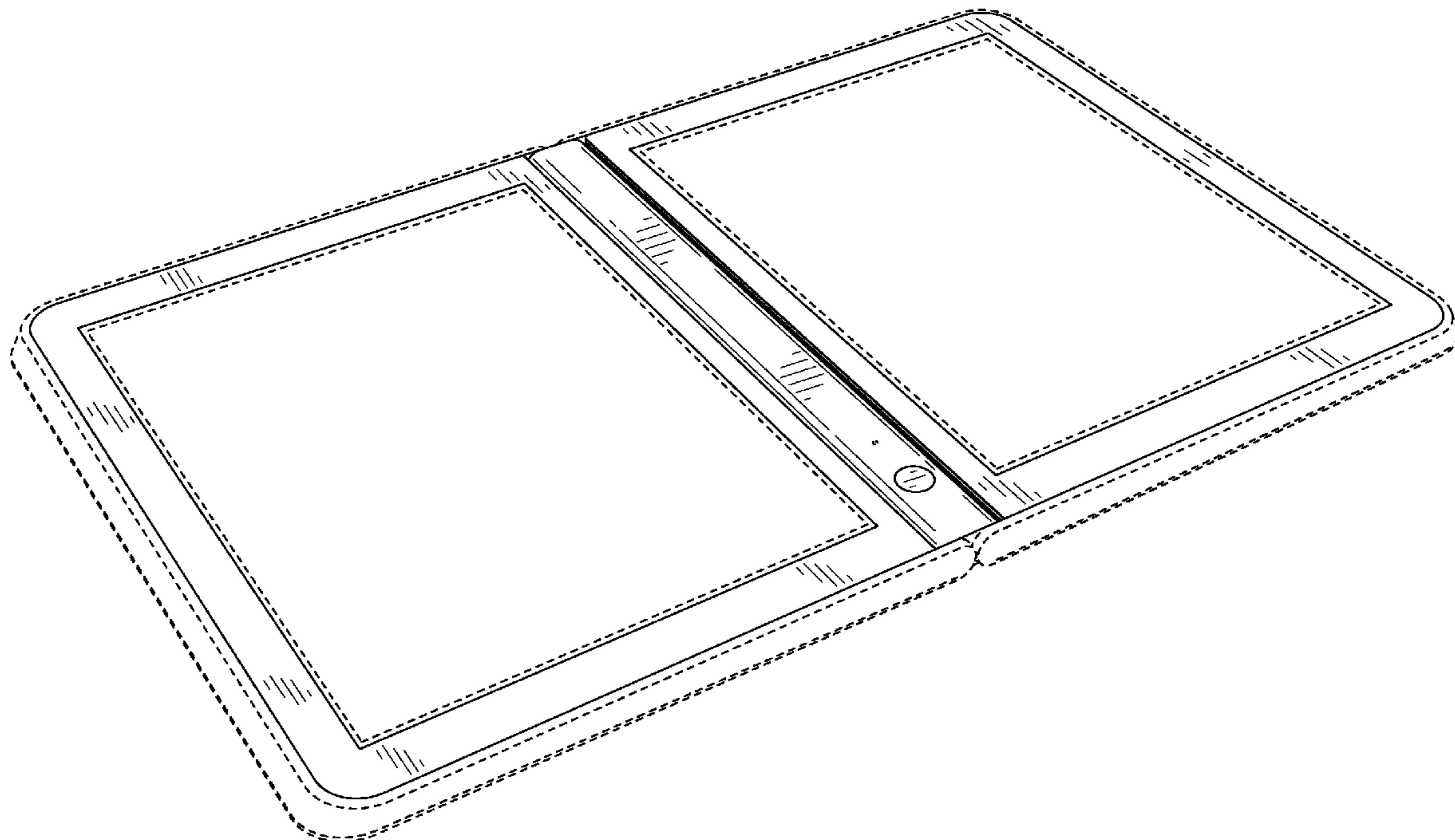
FIG. 4 is a bottom view thereof;

FIG. 5 is a right view thereof; and,

FIG. 6 is a left view thereof.

The broken line showings of the dual display device are for
environmental purposes and form no part of the claimed
design.

1 Claim, 4 Drawing Sheets



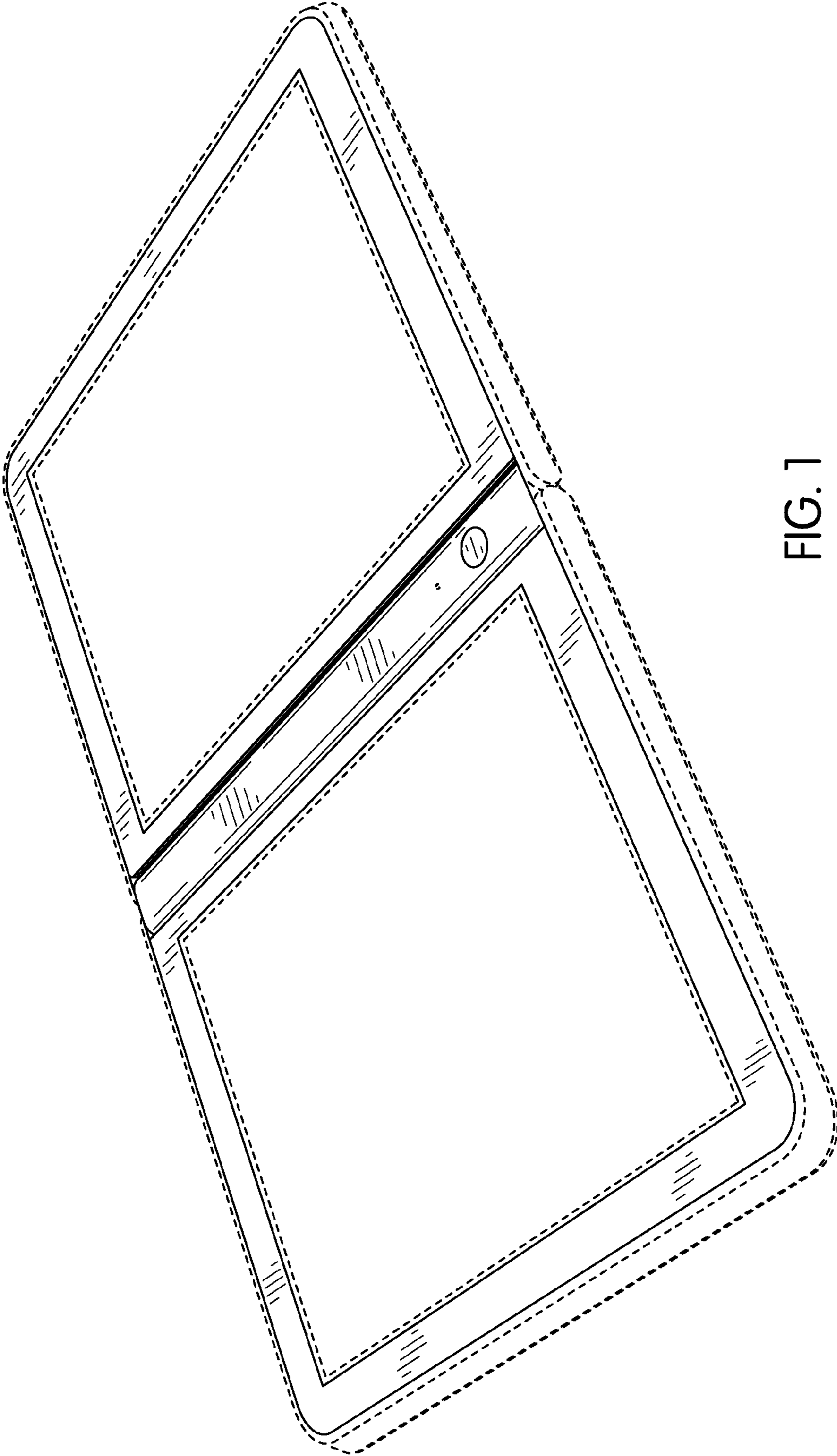


FIG. 1

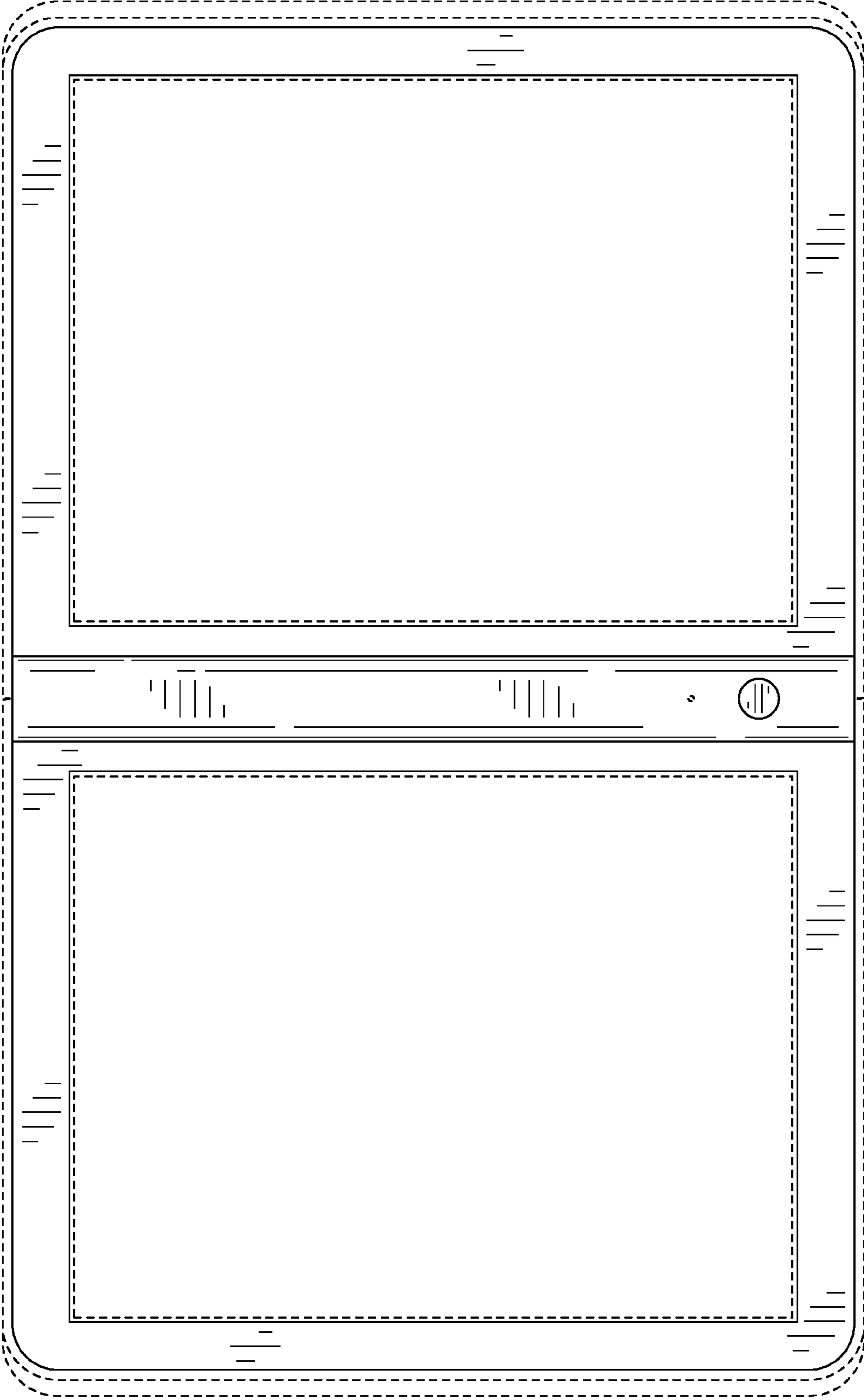


FIG. 2



FIG. 3

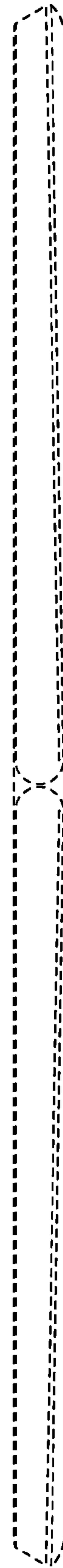


FIG. 4

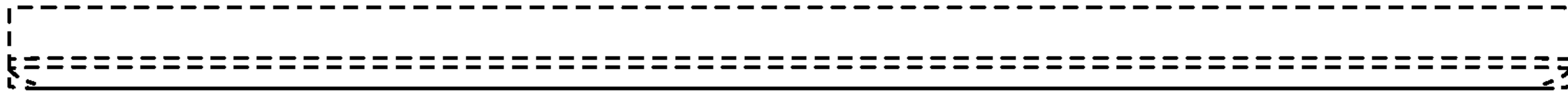


FIG. 5

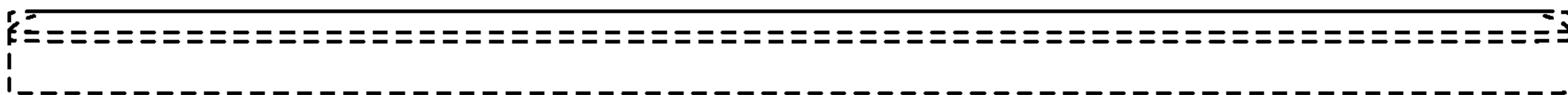


FIG. 6