



US00D618682S

(12) **United States Design Patent**  
**Haase et al.**

(10) **Patent No.:** **US D618,682 S**  
(45) **Date of Patent:** **\*\* Jun. 29, 2010**

(54) **DISPLAY**

(75) Inventors: **Andreas R. Haase**, Plantation, FL (US);  
**Joshua Probst**, Davie, FL (US)

(73) Assignee: **Dell Products L.P.**, Round Rock, TX  
(US)

(\*\*) Term: **14 Years**

(21) Appl. No.: **29/345,817**

(22) Filed: **Oct. 22, 2009**

(51) **LOC (9) Cl.** ..... **14-02**

(52) **U.S. Cl.** ..... **D14/371**

(58) **Field of Classification Search** ..... D14/371-376,  
D14/125-129; 345/104, 156, 168, 173, 87,  
345/1.1, 901-905; 341/12; 348/180, 184,  
348/325, 739; 349/1, 2, 11, 58; 248/917-924,  
248/278.1; 361/679.23, 679.08  
See application file for complete search history.

(56) **References Cited**

**U.S. PATENT DOCUMENTS**

- D416,549 S \* 11/1999 Coster et al. .... D14/375
- D463,431 S \* 9/2002 Yamamoto et al. .... D14/374
- D489,721 S \* 5/2004 Peng et al. .... D14/371
- D523,856 S \* 6/2006 Phipps et al. .... D14/375
- D526,292 S \* 8/2006 Reza ..... D14/126
- D534,138 S \* 12/2006 Lee et al. .... D14/126
- D564,987 S \* 3/2008 Shimizu et al. .... D14/126

- D593,092 S \* 5/2009 Huang ..... D14/374
- D595,251 S \* 6/2009 Kaneko ..... D14/129
- D599,756 S \* 9/2009 Yokota ..... D14/126
- D601,146 S \* 9/2009 Chueh et al. .... D14/375
- D602,453 S \* 10/2009 Ding et al. .... D14/126
- 2008/0019088 A1 \* 1/2008 Williams et al. .... 361/681

\* cited by examiner

*Primary Examiner*—Freda S Nunn

(74) *Attorney, Agent, or Firm*—Hamilton & Terrile, LLP;  
Robert W. Holland

(57) **CLAIM**

The ornamental design for a display, as shown and described.

**DESCRIPTION**

FIG. 1 is a front perspective view of the display in a closed conjunction;

FIG. 2 is a front view thereof;

FIG. 3 is a left side view thereof;

FIG. 4 is a right side view thereof;

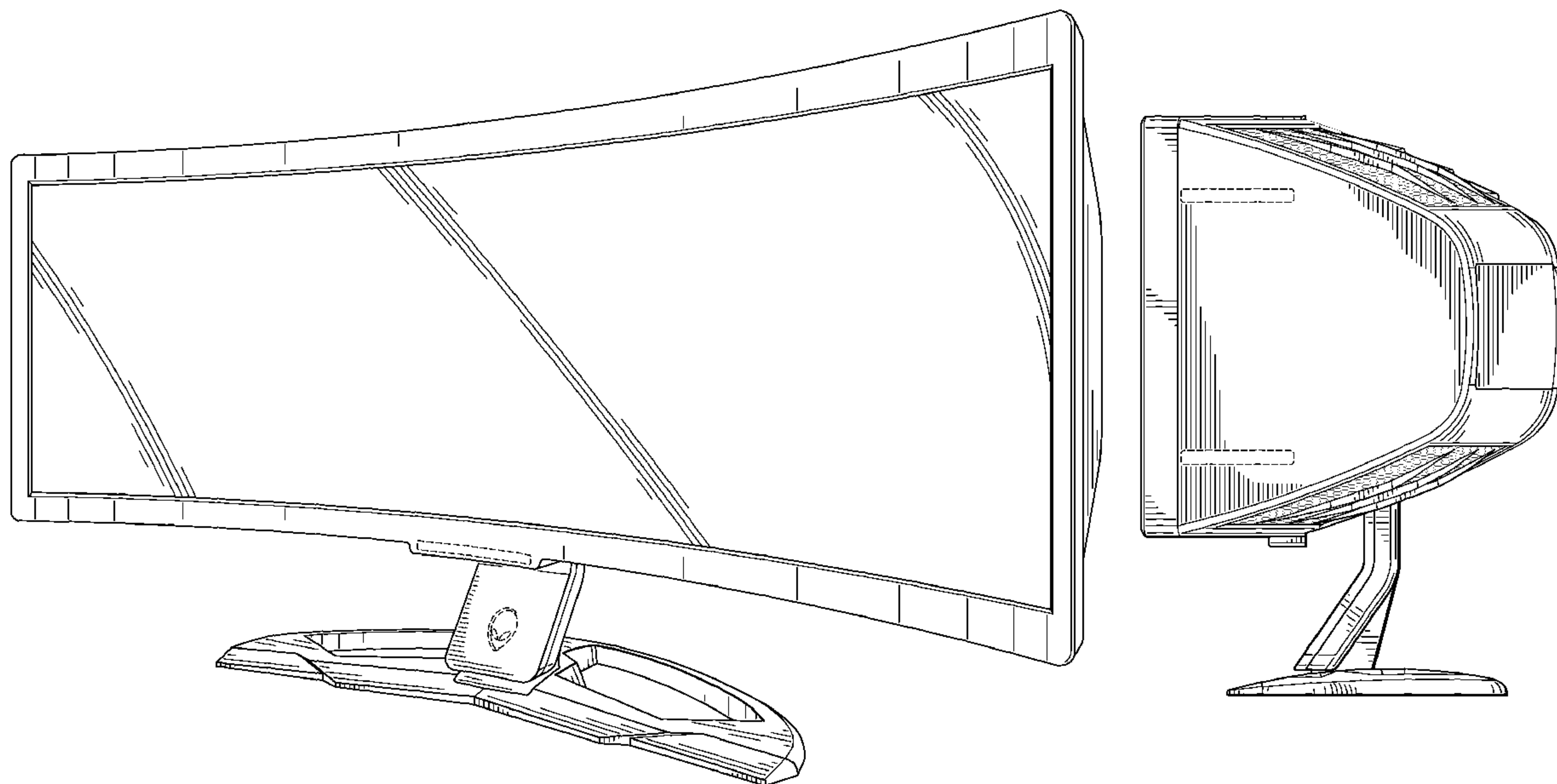
FIG. 5 is a back side view thereof;

FIG. 6 is a top view thereof; and,

FIG. 7 is a bottom view thereof.

Broken lines shown in the drawings illustrate portions of the display, and form no part of the claimed design.

**1 Claim, 6 Drawing Sheets**



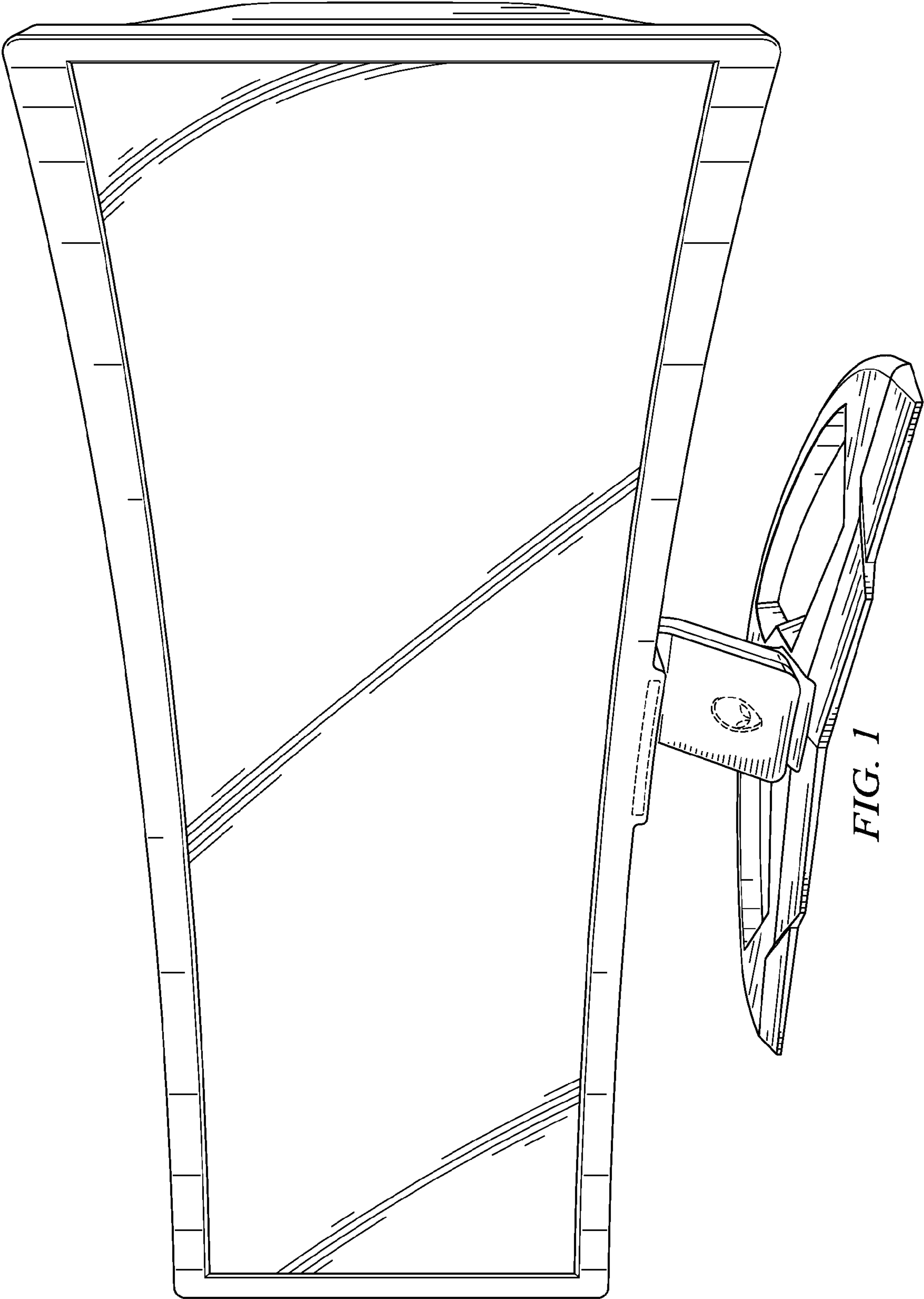


FIG. 1

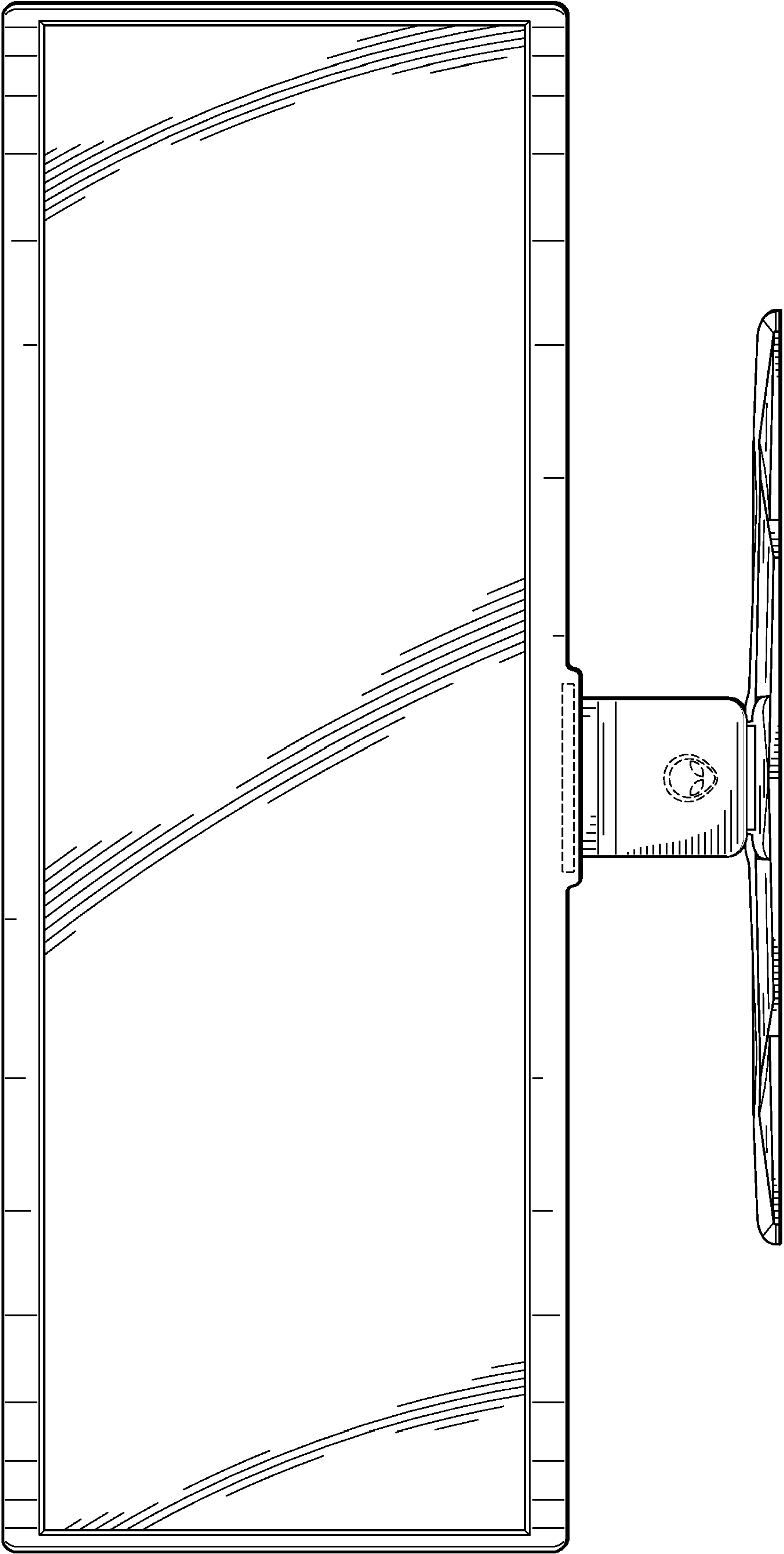


FIG. 2

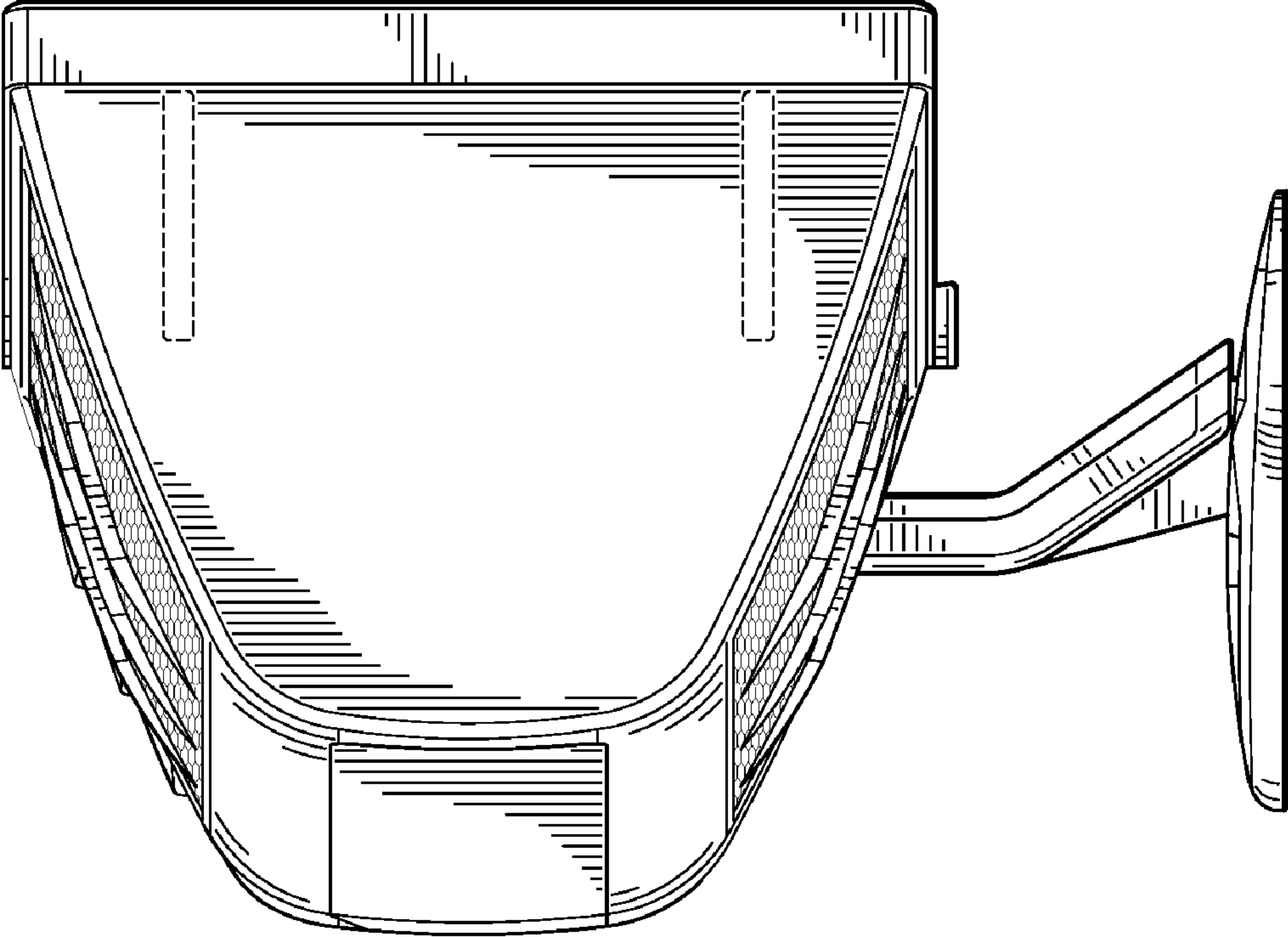


FIG. 4

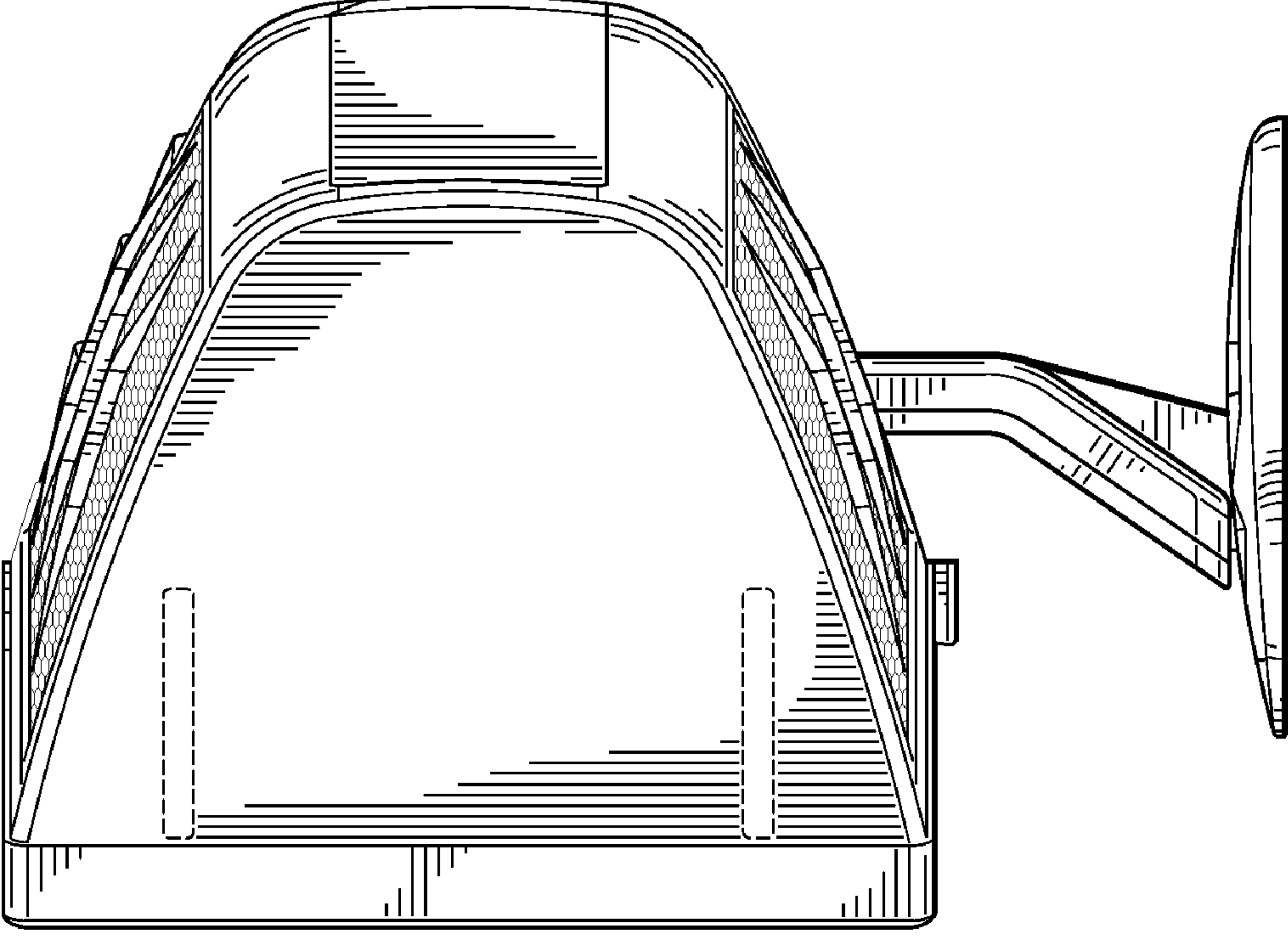


FIG. 3



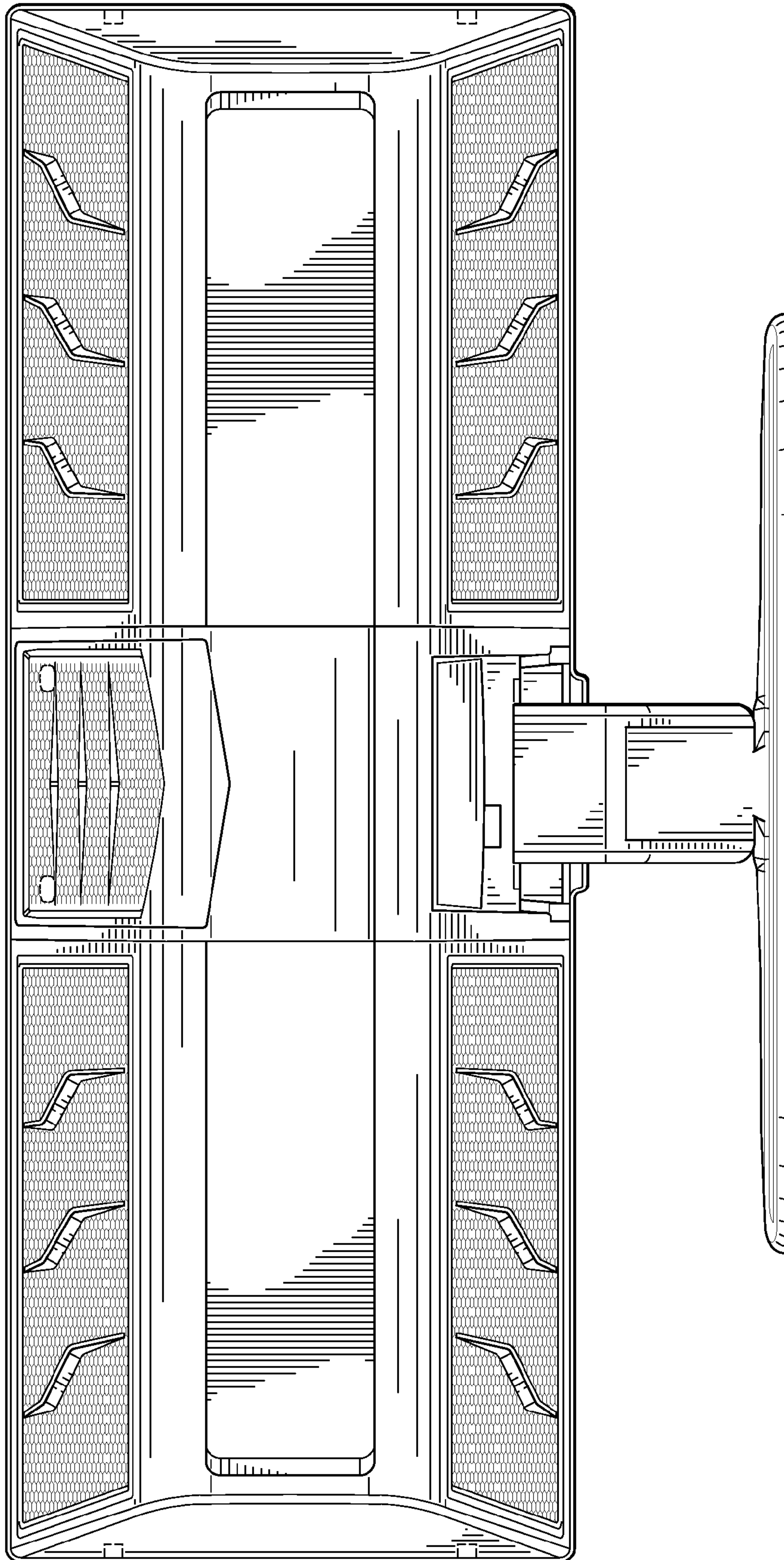


FIG. 5

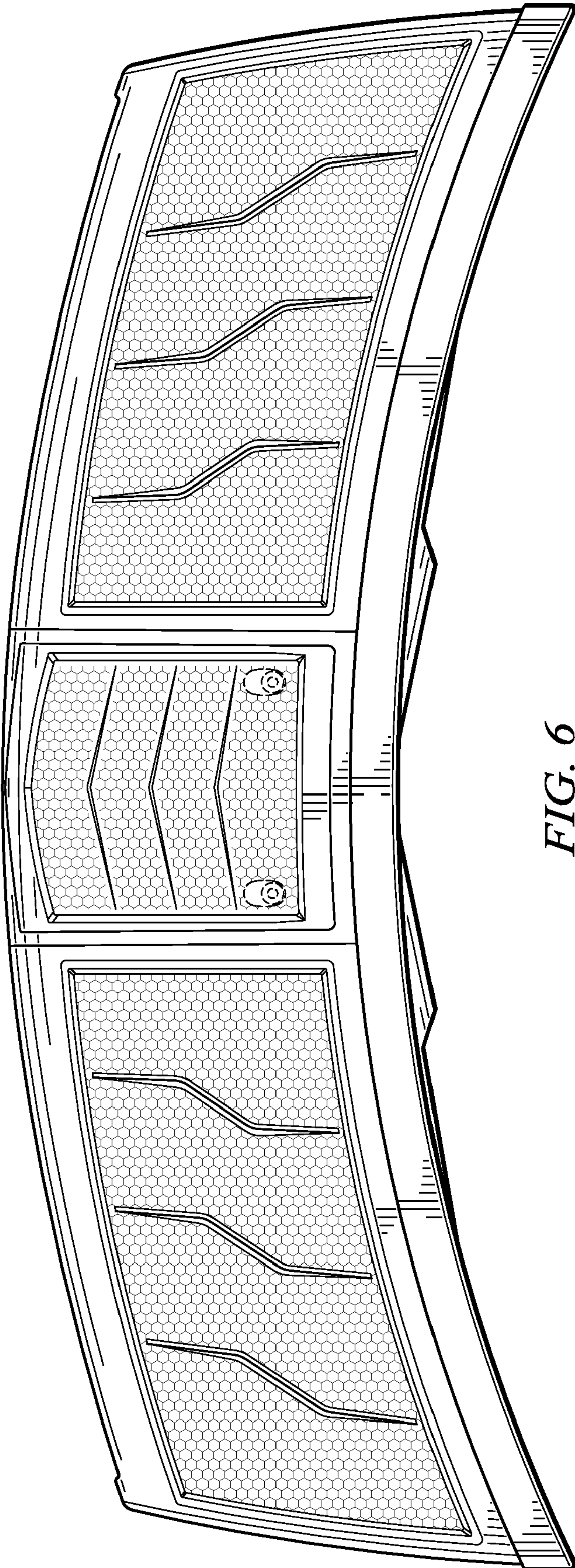


FIG. 6



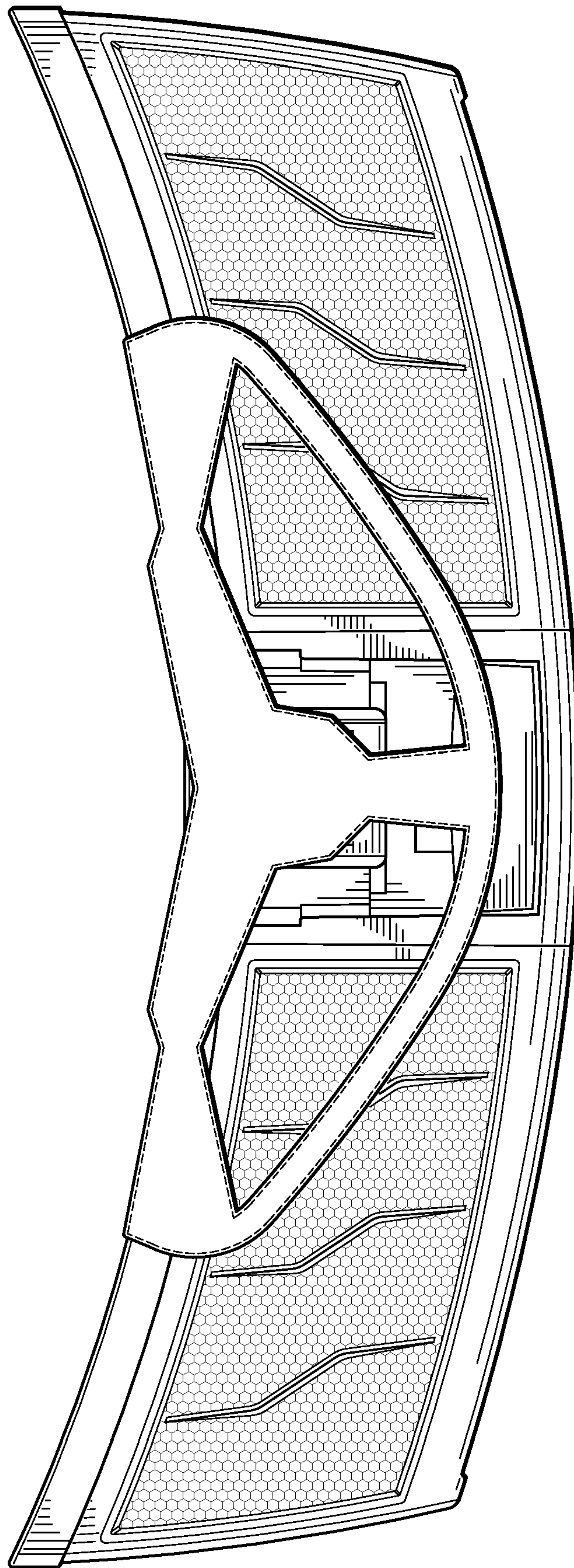


FIG. 7