



US00D618681S

(12) **United States Design Patent**
Richter et al.

(10) **Patent No.:** **US D618,681 S**
(45) **Date of Patent:** **** Jun. 29, 2010**

(54) **RECEIVER**

(75) Inventors: **Bradley Richter**, Belmont, CA (US);
Raphael Holtzman, San Mateo, CA
(US)

(73) Assignee: **Luidia, Inc.**, San Carlos, CA (US)

(**) Term: **14 Years**

(21) Appl. No.: **29/338,076**

(22) Filed: **Jun. 3, 2009**

(51) **LOC (9) Cl.** **14-02**

(52) **U.S. Cl.** **D14/358**

(58) **Field of Classification Search** D14/137,
D14/167, 168, 218, 230, 231, 233, 235, 237,
D14/240–242, 432, 435, 436, 299, 155, 496,
D14/300, 301, 313, 314, 214, 348–363, 365–370;
D18/56; D13/149, 162, 184, 199; D3/201,
D3/273; D10/65, 75, 78; 312/223.1, 223.2;
369/34.01, 36.01, 272.1; 360/132, 133, 135;
361/679.31–679.45

See application file for complete search history.

(56) **References Cited**

U.S. PATENT DOCUMENTS

D296,440 S *	6/1988	Smith et al.	D14/432
D342,895 S *	1/1994	Mall	D9/423
D346,152 S *	4/1994	Zaugg	D13/168
D347,439 S *	5/1994	Vananderoye	D14/299
D415,133 S *	10/1999	Mah	D14/432
D419,978 S *	2/2000	Mah	D14/432
D475,996 S *	6/2003	Skulley	D14/240
D486,819 S *	2/2004	Wilson	D14/240
D493,790 S *	8/2004	Wu	D14/348
D496,031 S *	9/2004	Ma et al.	D14/240
D496,653 S *	9/2004	Townsend et al.	D14/240
D520,991 S *	5/2006	Ma et al.	D14/240
D520,995 S *	5/2006	Chang	D14/480.6
D522,506 S *	6/2006	Chen	D14/480.1
D525,120 S *	7/2006	Maskell et al.	D9/428
D529,878 S *	10/2006	Wang	D14/125
D538,223 S *	3/2007	Yang	D14/435.1

D546,328 S *	7/2007	Kobayakawa	D14/480.7
D548,233 S *	8/2007	Loftus	D14/356
D554,630 S *	11/2007	Ma	D14/240
D579,461 S *	10/2008	Lau	D14/496
D579,952 S *	11/2008	Yamada	D14/496
D596,163 S *	7/2009	Madonna et al.	D14/218
2009/0195974 A1 *	8/2009	Rambosek et al.	361/679.32

OTHER PUBLICATIONS

eBeam online store | eBeam Edge for Education, [online], [retrieved on Feb. 12, 2010]. Retrieved from the Internet <URL: <http://ebeamstore.luidia.com/index.php?ssid=MTR8MTUxLjIwNy4yNDYuNC0xMjY2MDEINTk2fDEyNjYwMTU1OTZ8MjYyOHw0Mnw0Ng==&pgid=6746>>.*

ilovebeam.com :: The Edge, [online] Posted Sep. 2009 [retrieved on Feb. 12, 2010]. Retrieved from the Internet <URL: <http://www.ilovebeam.com/2009/09/the-edge/>>.*

Chic Technology Corp., [online], [retrieved on Nov. 14, 2006]. Retrieved from the Internet <URL: http://www.chic.com.tw/eng/products_model_mice.asp?pid=5&pmid=29&pmdid=221>.*

* cited by examiner

Primary Examiner—Cathron C Brooks

Assistant Examiner—Karen E Kearney

(74) *Attorney, Agent, or Firm*—Dov Rosenfeld; Inventek

(57) **CLAIM**

I claim the ornamental design for a receiver, as shown and described.

DESCRIPTION

FIG. 1 is a top, right perspective view of a receiver showing our new design;

FIG. 2 is a top plan view thereof;

FIG. 3 is a right elevational view thereof;

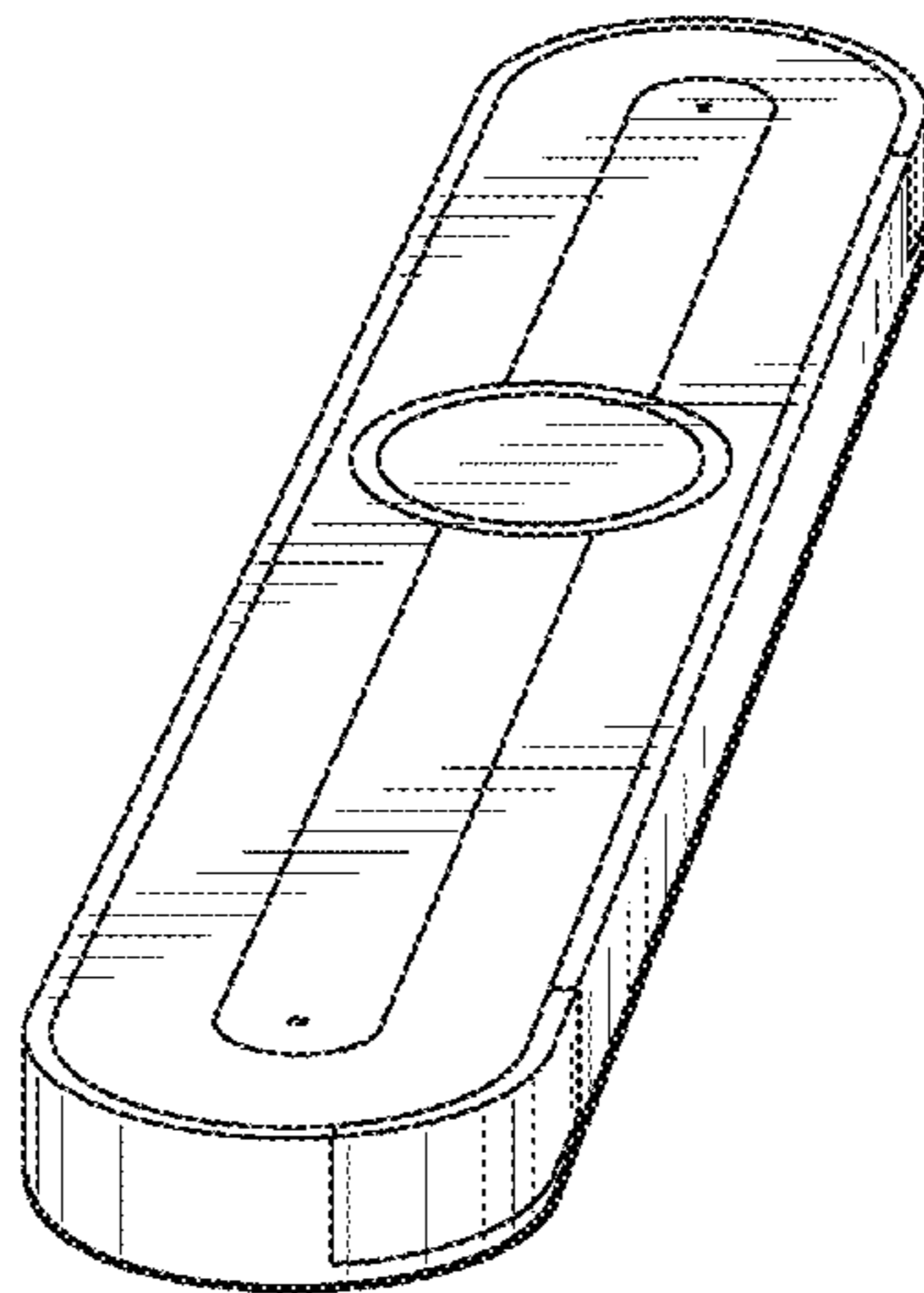
FIG. 4 is a bottom plan view thereof;

FIG. 5 is a left elevational view thereof; and,

FIG. 6 is a front elevational view thereof, the rear elevational view being a mirror image of FIG. 6.

The broken lines in FIGS. 4 and 5 and unshaded regions within the broken lines in FIGS. 4 and 5 form no part of the claimed design.

1 Claim, 2 Drawing Sheets



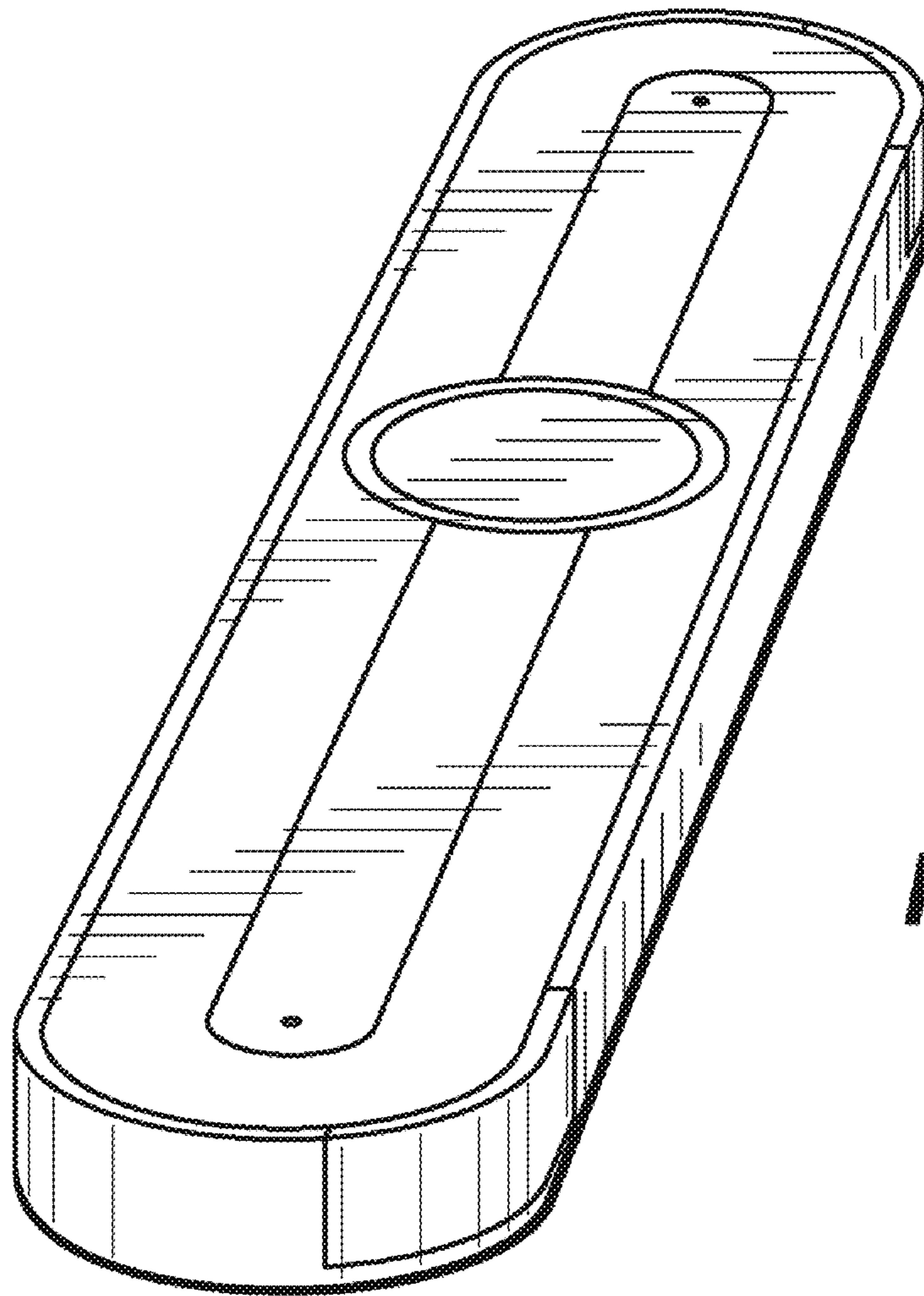


FIG. 1

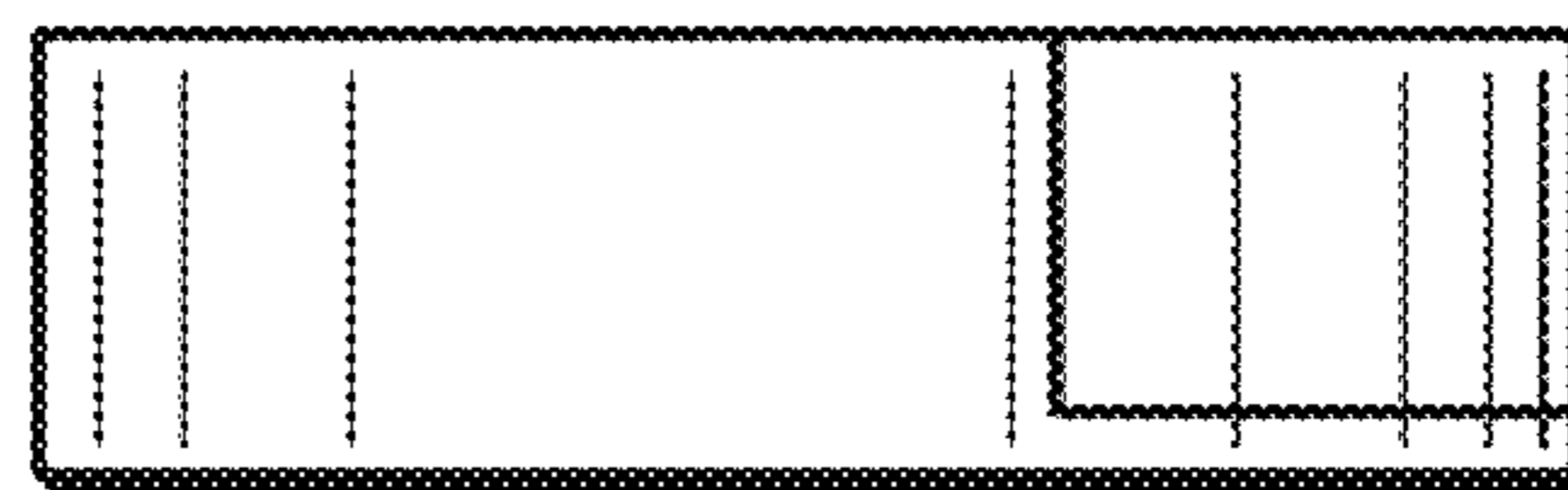


FIG. 6

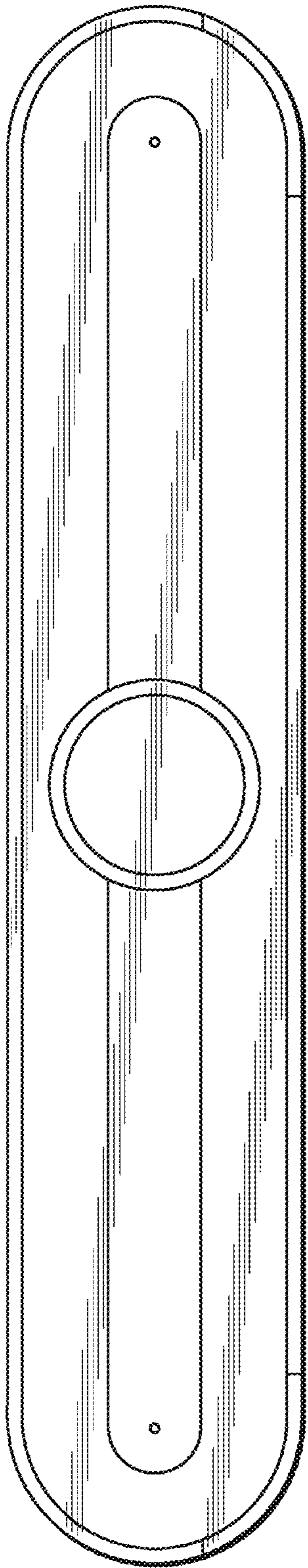


FIG. 2

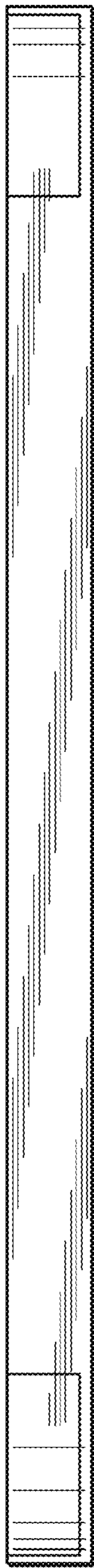


FIG. 3

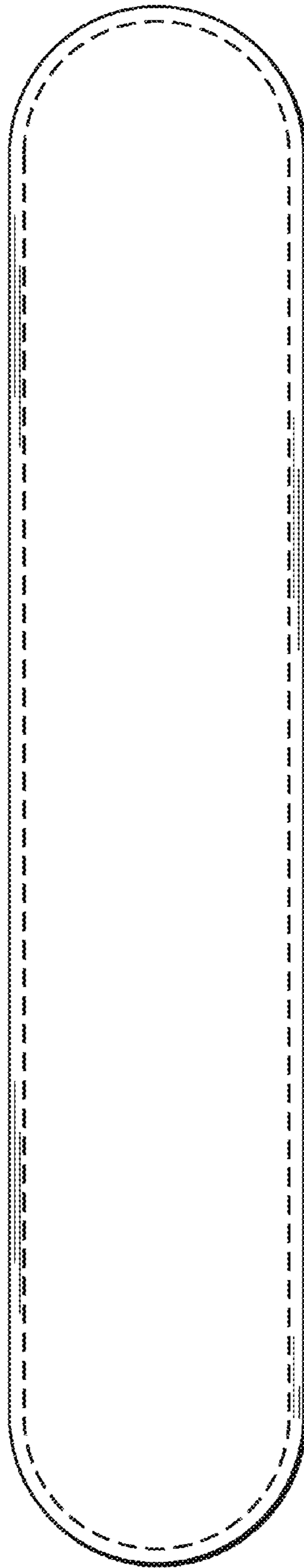


FIG. 4

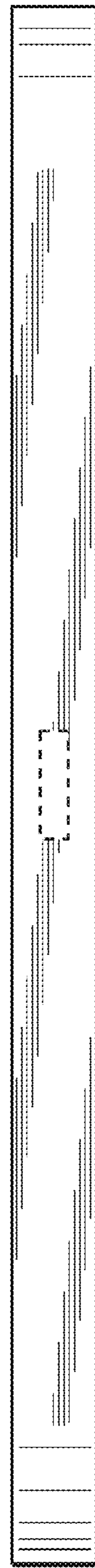


FIG. 5