



US00D618680S

(12) **United States Design Patent**
Marchand et al.

(10) **Patent No.:** **US D618,680 S**
(45) **Date of Patent:** **** Jun. 29, 2010**

(54) **MEDIA ENHANCEMENT PERIPHERAL FOR A COMPUTER**

(75) Inventors: **Nicholas Stephen Marchand**, Singapore (SG); **Kar Choon Ng**, Singapore (SG); **Choy Hon Fred Ng**, Singapore (SG)

(73) Assignee: **Creative Technology Ltd**, Singapore (SG)

(**) Term: **14 Years**

(21) Appl. No.: **29/328,598**

(22) Filed: **Nov. 26, 2008**

(51) **LOC (9) Cl.** **14-02**

(52) **U.S. Cl.** **D14/357**

(58) **Field of Classification Search** D14/137, D14/167, 168, 230, 231, 233, 235, 237, 240-242, D14/299, 432, 435, 436, 155, 496, 300, 301, D14/313, 314, 214, 348-363, 365-370; D18/56; D13/149, 162, 184, 199; D3/201, 273; D10/65, D10/75, 78; 312/223.1, 223.2; 369/34.01, 369/36.01, 272.1; 360/132, 133, 135; 361/679.31-679.45
See application file for complete search history.

(56) **References Cited**

U.S. PATENT DOCUMENTS

D186,981 S *	1/1960	Hughes	D14/356
D251,605 S *	4/1979	Anderson	D14/299
D289,529 S *	4/1987	Cappotto et al.	D18/12
5,121,295 A *	6/1992	Lam	361/679.33
5,323,291 A *	6/1994	Boyle et al.	361/679.42
D383,736 S *	9/1997	Corrington et al.	D14/367
D391,556 S *	3/1998	Corrington et al.	D14/367
5,921,816 A *	7/1999	Larabell	361/679.32
6,061,232 A *	5/2000	Ho	361/679.31
6,097,303 A *	8/2000	Lunz et al.	361/679.4
6,320,744 B1 *	11/2001	Sullivan et al.	361/679.34
6,989,983 B2 *	1/2006	Rumney	361/679.33
D528,158 S *	9/2006	Watarai	D18/56
D566,704 S *	4/2008	Cutting	D14/313

(Continued)

OTHER PUBLICATIONS

E-MU 1212M PCIe Digital Audio System | Creative Labs Online Store, [online], [retrieved on Feb. 5, 2010]. Retrieved from the Internet <URL: <http://us.store.creative.com/EMU-1212M-PCIe-Digital-Audio-System/M/B002VDMUQ6.htm>>.*

Primary Examiner—Cathron C Brooks
Assistant Examiner—Karen E Kearney

(57) **CLAIM**

The ornamental design for a media enhancement peripheral for a computer, substantially as shown and described.

DESCRIPTION

FIG. 1 is a front, top, left, perspective view of the media enhancement peripheral for a computer in accordance with the present design;

FIG. 2 is a back, bottom, right, perspective view of the media enhancement peripheral for a computer in accordance with the present design;

FIG. 3 is a front view of the media enhancement peripheral for a computer shown in FIG. 1;

FIG. 4 is a back view of the media enhancement peripheral for a computer shown in FIG. 1;

FIG. 5 is a left view of the media enhancement peripheral for a computer shown in FIG. 1;

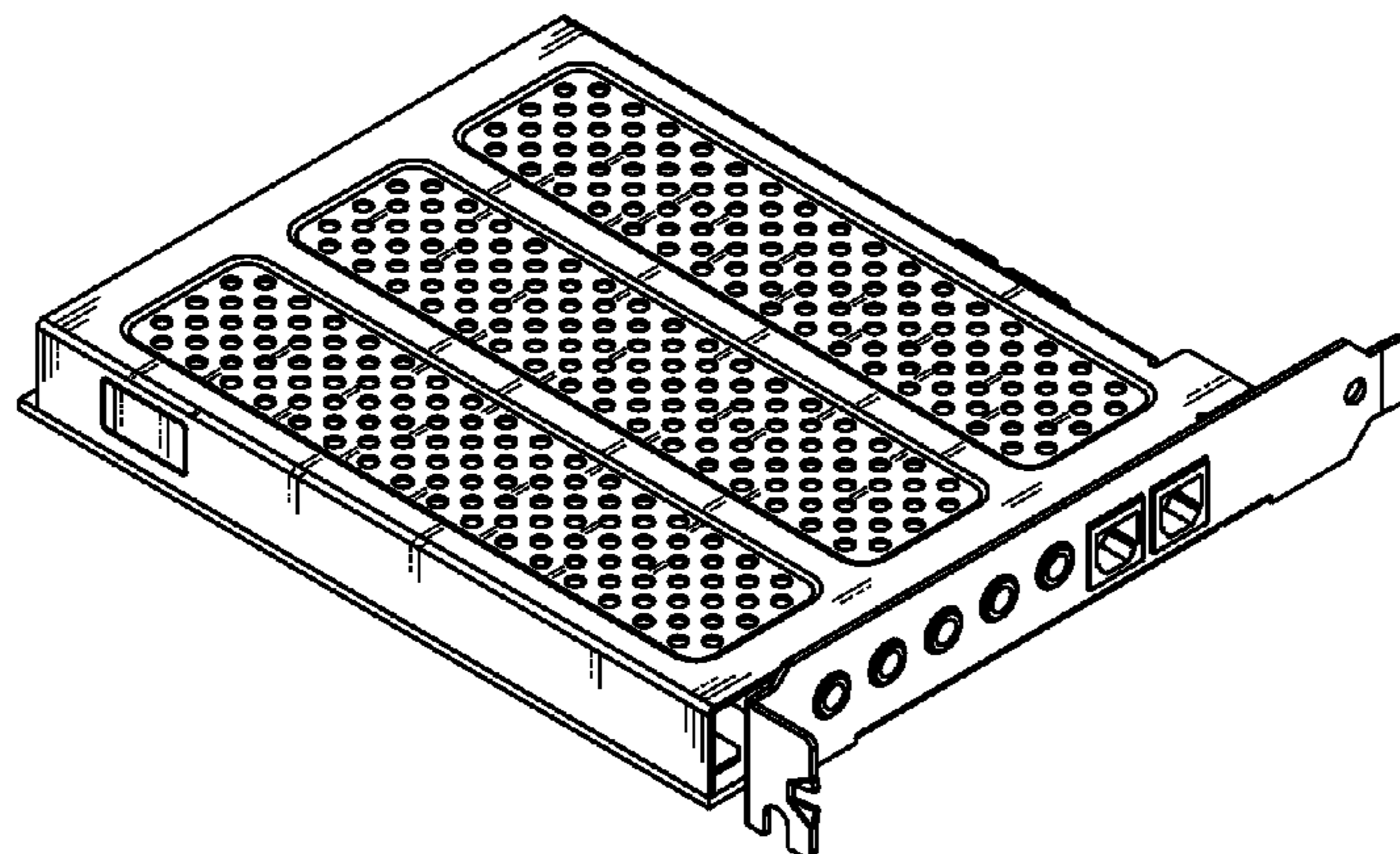
FIG. 6 is a right view of the media enhancement peripheral for a computer shown in FIG. 1;

FIG. 7 is a top view of the media enhancement peripheral for a computer shown in FIG. 1; and,

FIG. 8 is a bottom view of the media enhancement peripheral for a computer shown in FIG. 1.

The broken lines shown are for the purpose of illustrating unclaimed portions and form no part of the claimed design.

1 Claim, 4 Drawing Sheets



US D618,680 S

Page 2

U.S. PATENT DOCUMENTS					
		2003/0011979	A1*	1/2003	Tanzer et al. 361/685
D576,163	S *	9/2008	Sasaki D14/363	
7,443,667	B2 *	10/2008	Guo et al. 361/679.33	
7,447,011	B2 *	11/2008	Wade et al. 361/679.33	
					* cited by examiner

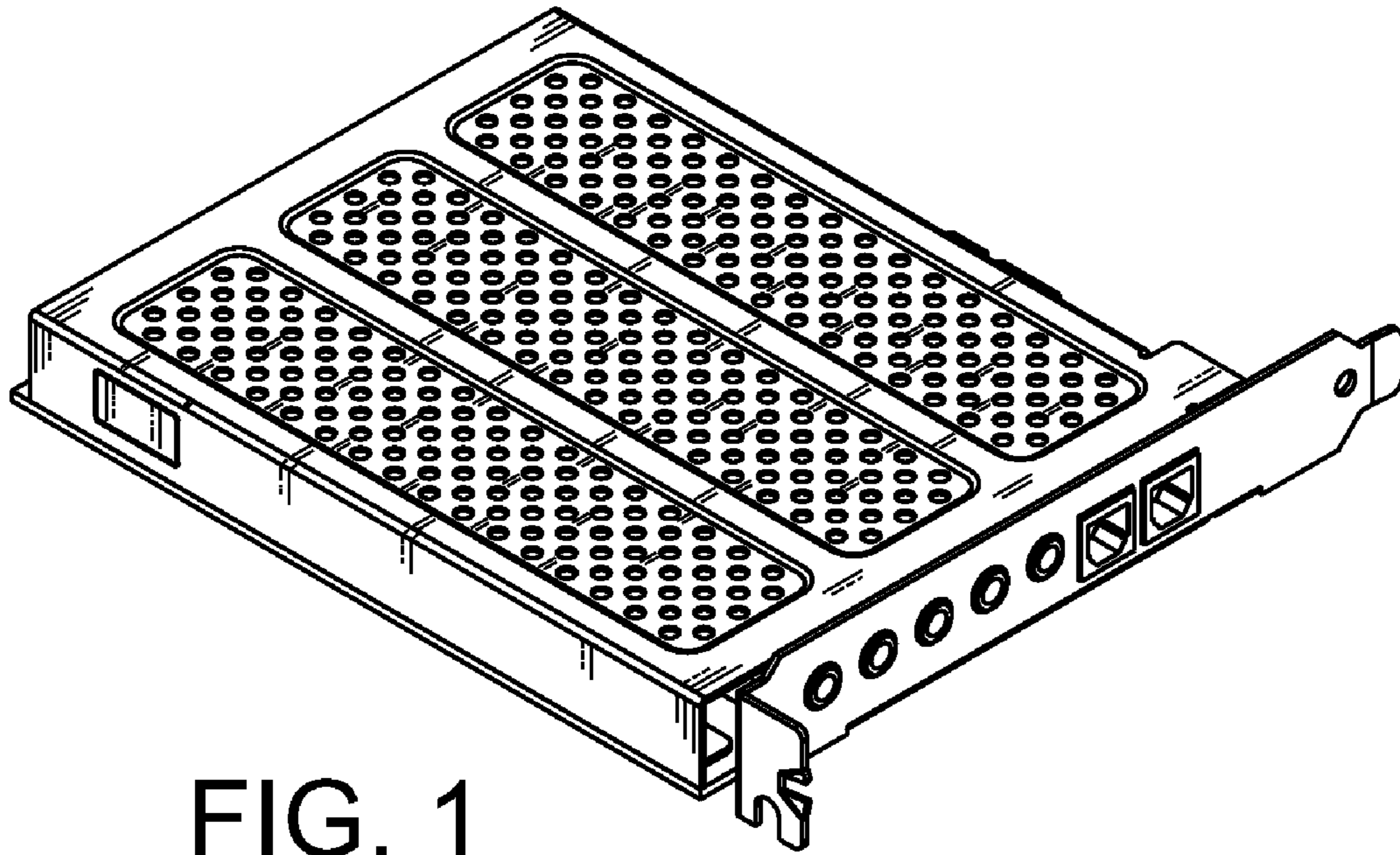


FIG. 1

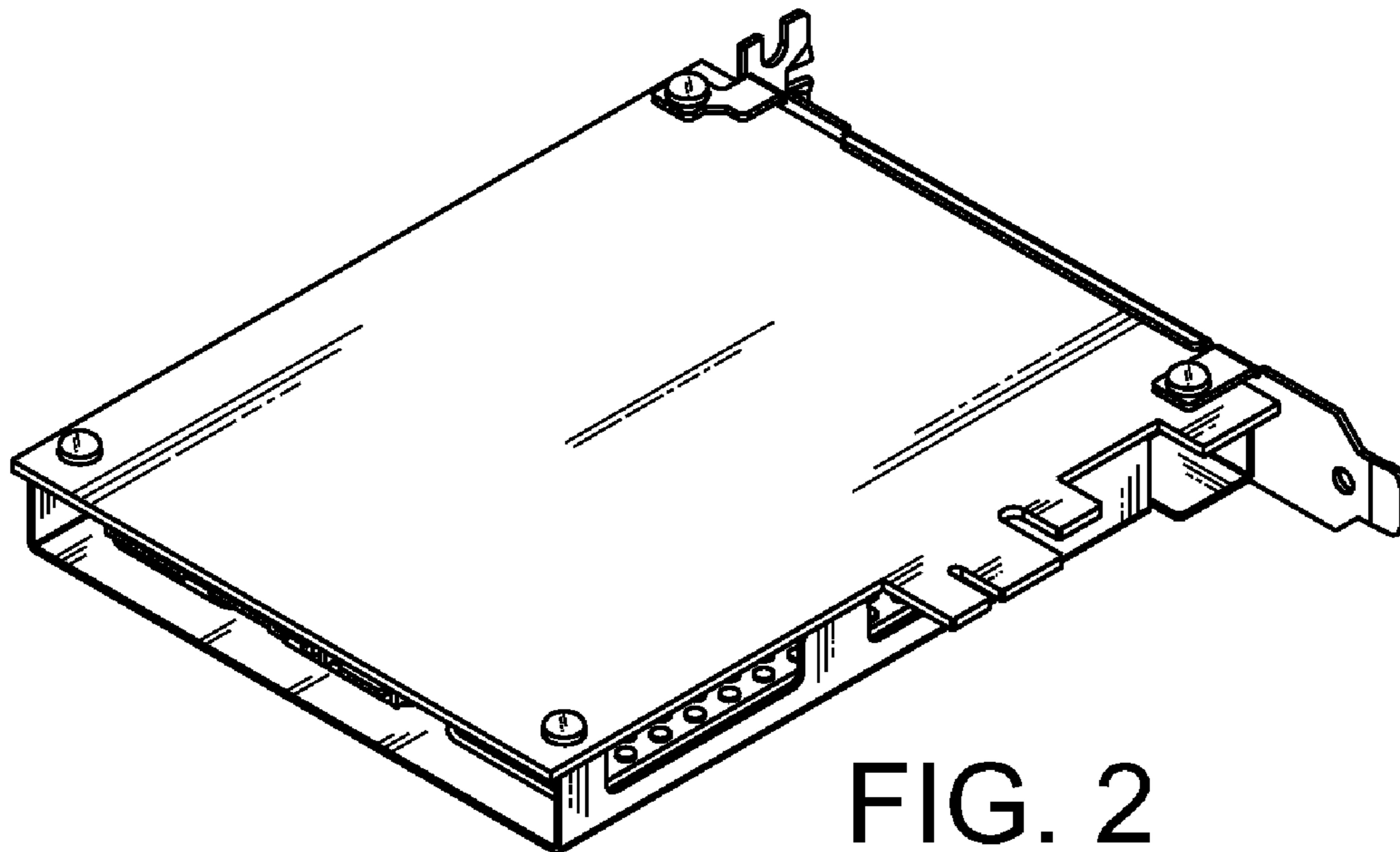


FIG. 2

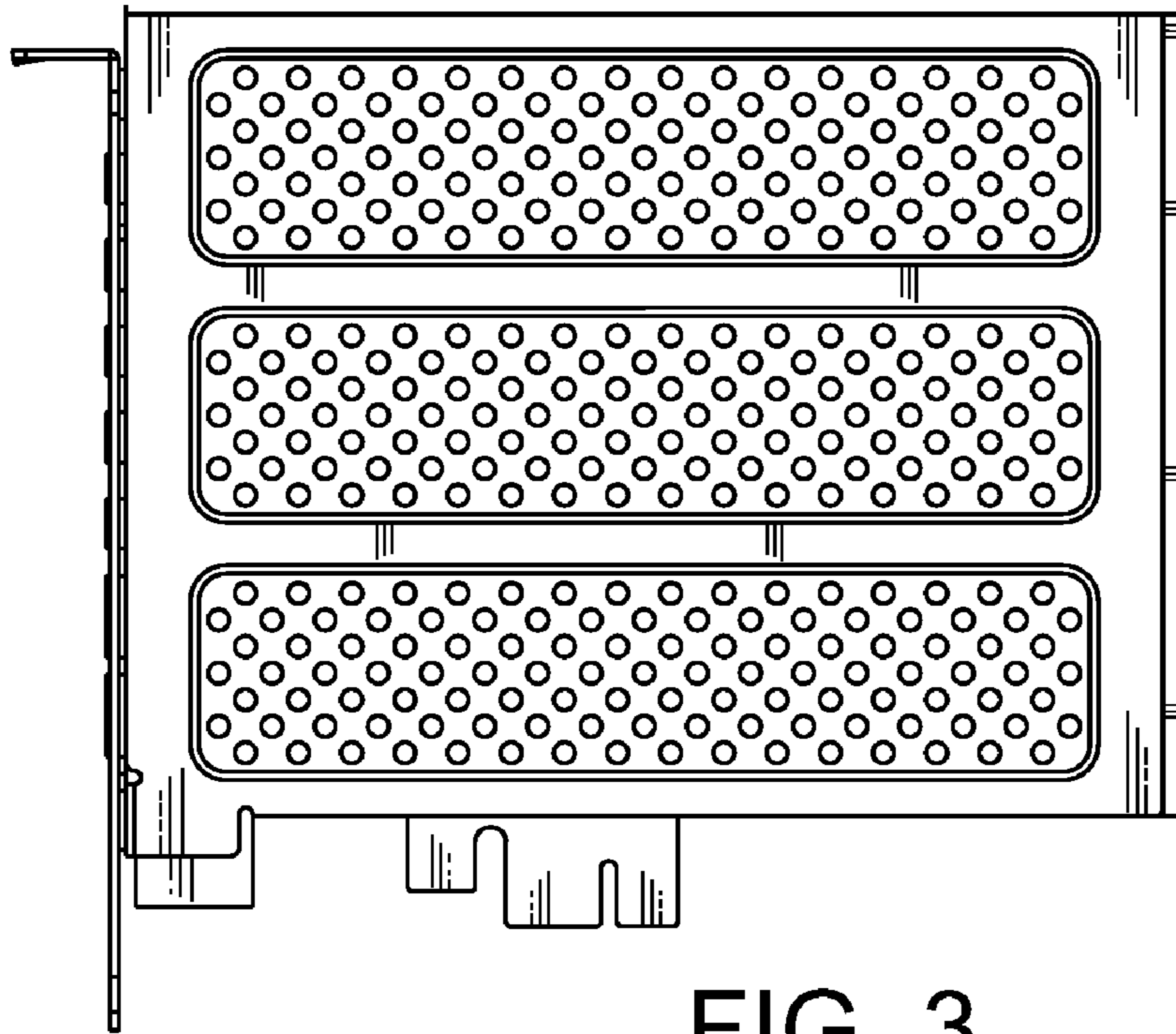


FIG. 3

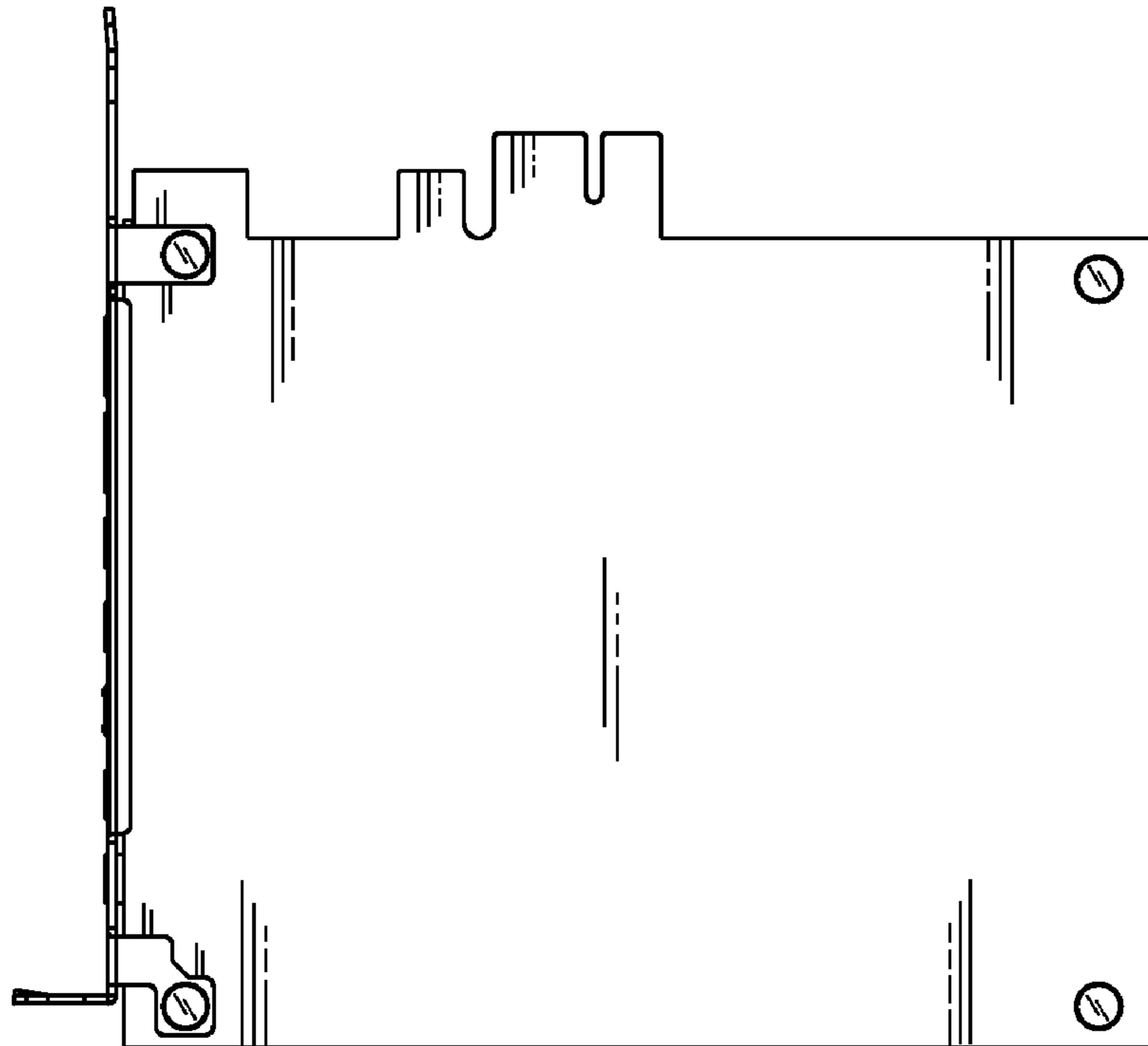


FIG. 4

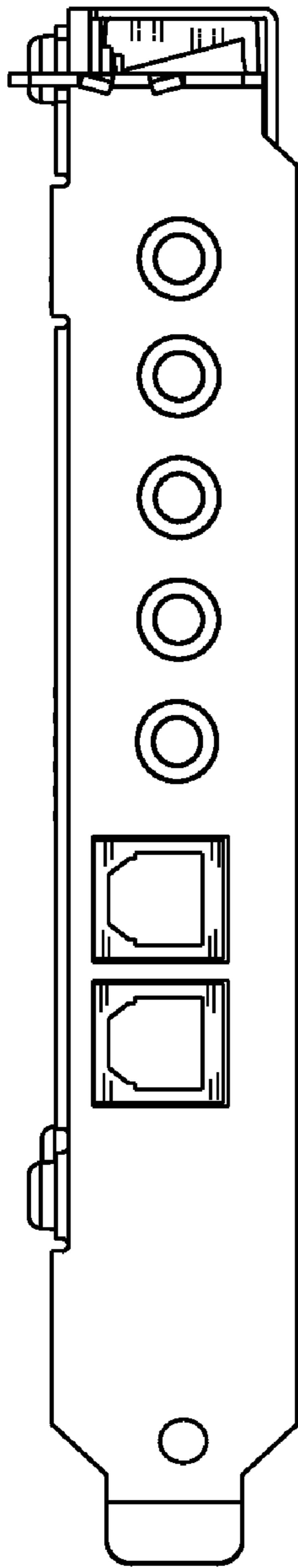


FIG. 5

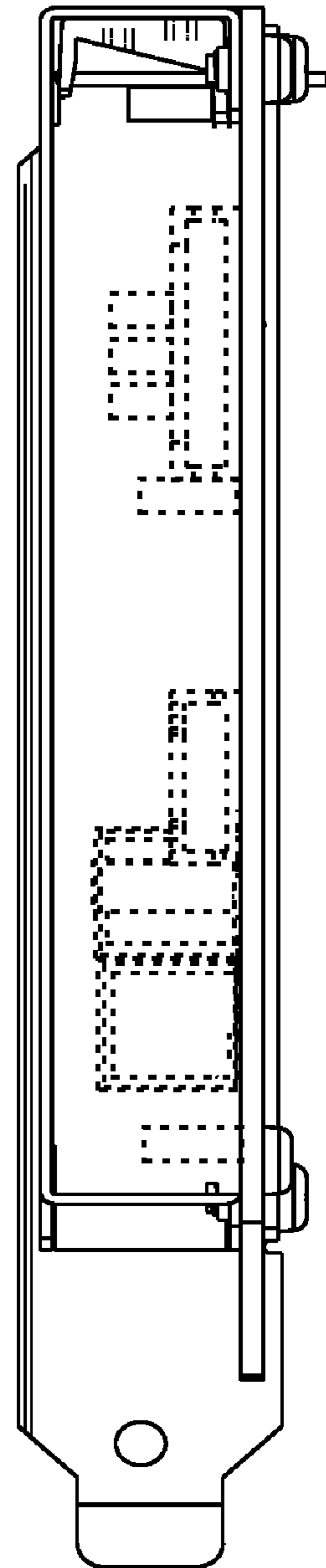


FIG. 6

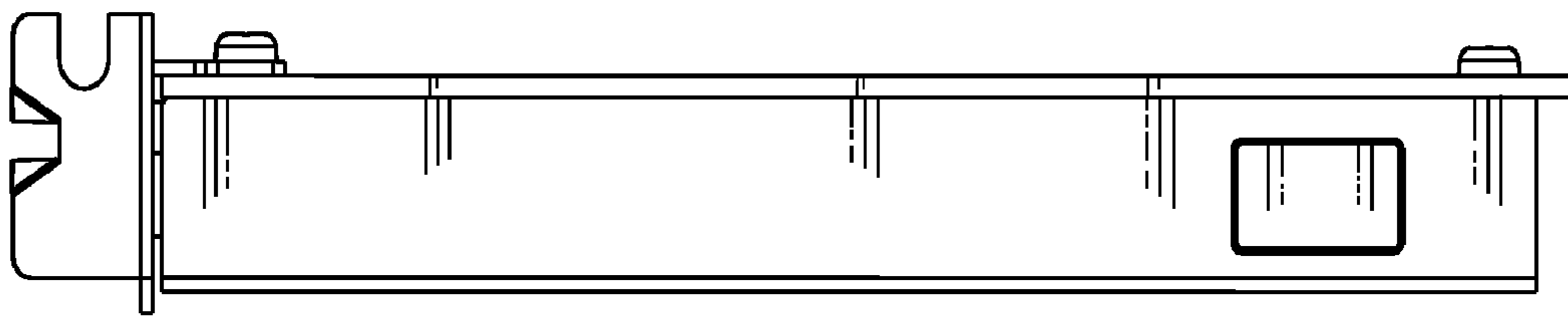


FIG. 7

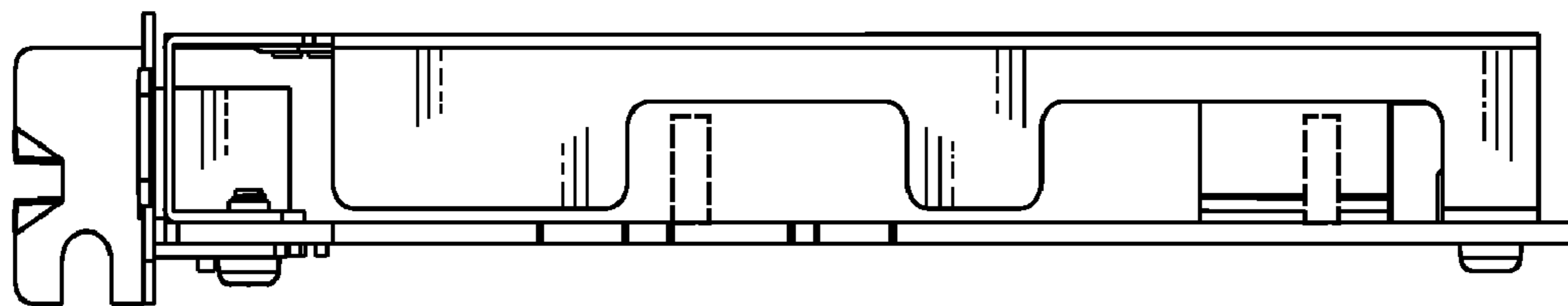


FIG. 8