



US00D618679S

(12) **United States Design Patent**  
**Reber**

(10) **Patent No.:** **US D618,679 S**  
(45) **Date of Patent:** **\*\* Jun. 29, 2010**

(54) **DISK DRIVE**

D587,706 S \* 3/2009 Maiers et al. .... D14/356  
D593,973 S \* 6/2009 Cho et al. .... D14/125

(75) Inventor: **Frederick Reber**, Mooresville, NC (US)

(73) Assignee: **Verbatim Americas LLC**, Charlotte, NC (US)

(\*\*) Term: **14 Years**

(21) Appl. No.: **29/340,163**

(22) Filed: **Jul. 14, 2009**

(51) **LOC (9) Cl.** ..... **14-02**

(52) **U.S. Cl.** ..... **D14/356**

(58) **Field of Classification Search** ..... D14/137,  
D14/167, 168, 218, 230, 231, 233, 235, 237,  
D14/240–242, 299, 432, 435, 436, 155, 496,  
D14/300, 301, 313, 314, 214, 348–363, 365–370;  
D18/56; D13/149, 162, 184, 199; D3/201,  
D3/273; D10/65, 75, 78; 312/223.1, 223.2;  
369/34.01, 36.01, 272.1; 360/132, 133, 135;  
361/679.31–679.45

See application file for complete search history.

(56) **References Cited**

**U.S. PATENT DOCUMENTS**

D74,364 S \* 2/1928 Fuller ..... D14/214  
D244,036 S \* 4/1977 Tyrrell ..... D14/358  
D283,895 S \* 5/1986 Grimes ..... D14/432  
D292,926 S \* 11/1987 Gillespie et al. .... D14/242  
D311,387 S \* 10/1990 Brenneman et al. .... D14/314  
D352,040 S \* 11/1994 Rak et al. .... D14/240  
D529,904 S \* 10/2006 Yeo ..... D14/240  
D583,813 S \* 12/2008 Maiers et al. .... D14/356  
D584,306 S \* 1/2009 Maiers et al. .... D14/356

**OTHER PUBLICATIONS**

320GB InSight™ USB Portable Hard Drive with “Always On” Display, [online], [retrieved on Feb. 13, 2010]. Retrieved from the Internet <URL: [http://www.verbatim.com/products/detail.cfm?product\\_id=8F7F7B5E-1143-3415-5F125E906EFC10AC&cat\\_id=9F73A6CB-1143-3415-5F204A68D59ACD47](http://www.verbatim.com/products/detail.cfm?product_id=8F7F7B5E-1143-3415-5F125E906EFC10AC&cat_id=9F73A6CB-1143-3415-5F204A68D59ACD47)>.\*  
Seagate Technology—Portable Storage Solutions, [online], [retrieved on Jun. 23, 2008]. Retrieved from the Internet <URL: <http://www.seagate.com/www/en-us/products/portable/>>.\*

\* cited by examiner

*Primary Examiner*—Cathron C Brooks

*Assistant Examiner*—Karen E Kearney

(74) *Attorney, Agent, or Firm*—Oblon, Spivak, McClelland, Maier & Neustadt, L.L.P.

(57) **CLAIM**

The ornamental design for a disk drive, as shown and described.

**DESCRIPTION**

FIG. 1 is a front, top, and left side perspective view of a disk drive;

FIG. 2 is a top plan view thereof;

FIG. 3 is a rear elevational view thereof;

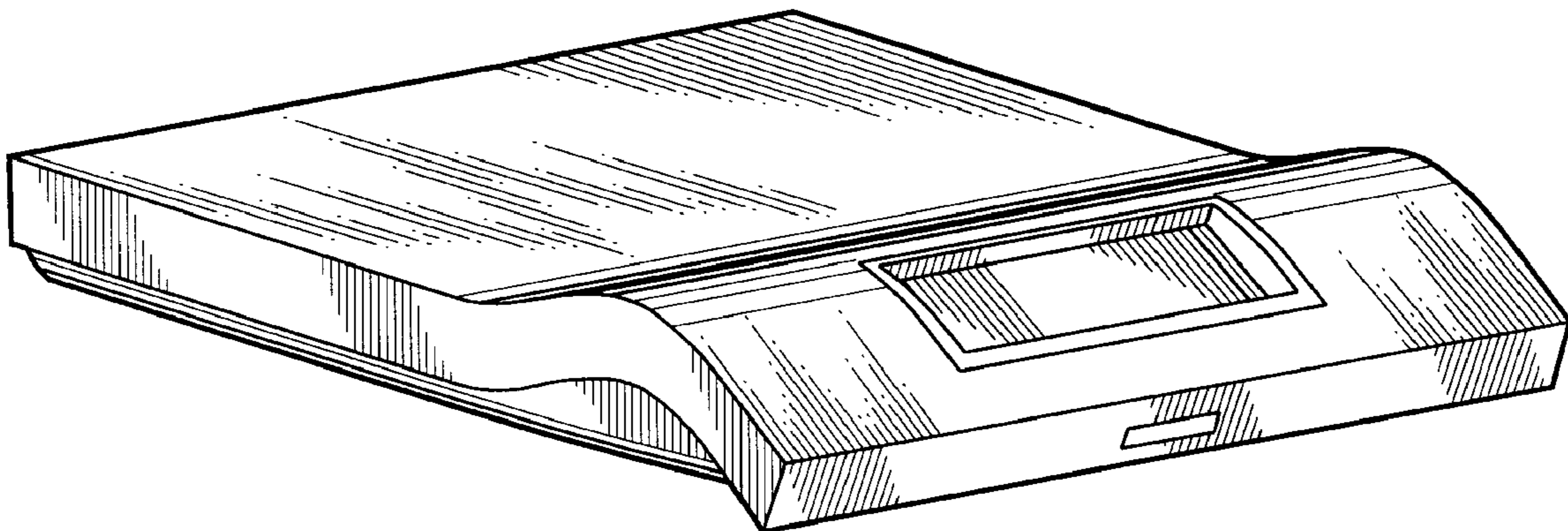
FIG. 4 is a bottom plan view thereof;

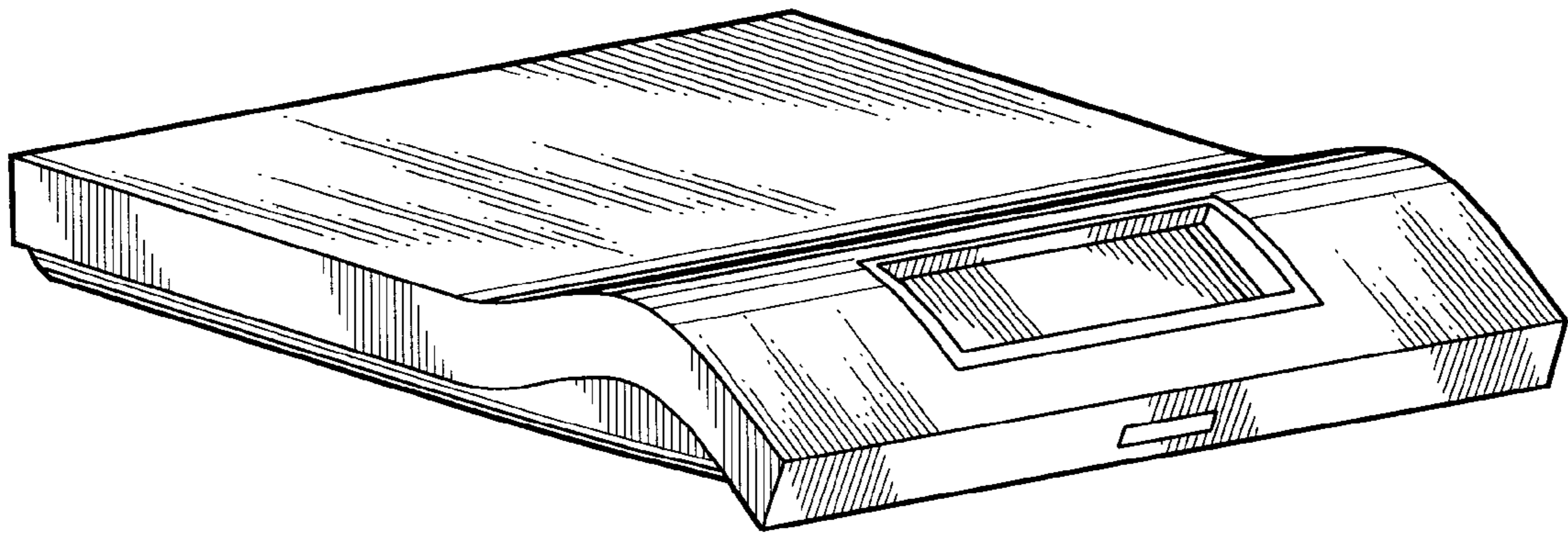
FIG. 5 is a front elevational view thereof;

FIG. 6 is a left side elevational view thereof; and,

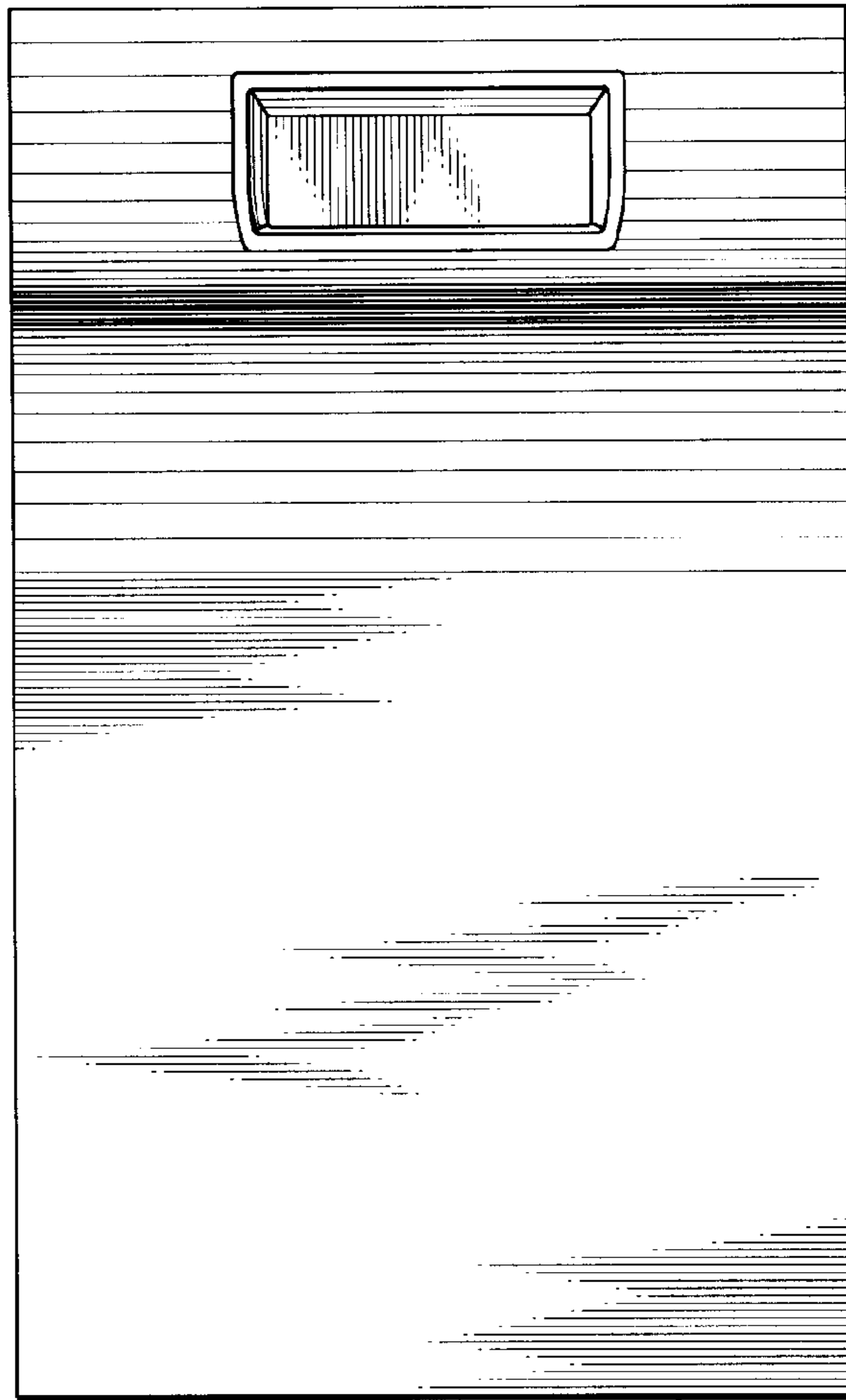
FIG. 7 is a right side elevational view thereof.

**1 Claim, 4 Drawing Sheets**

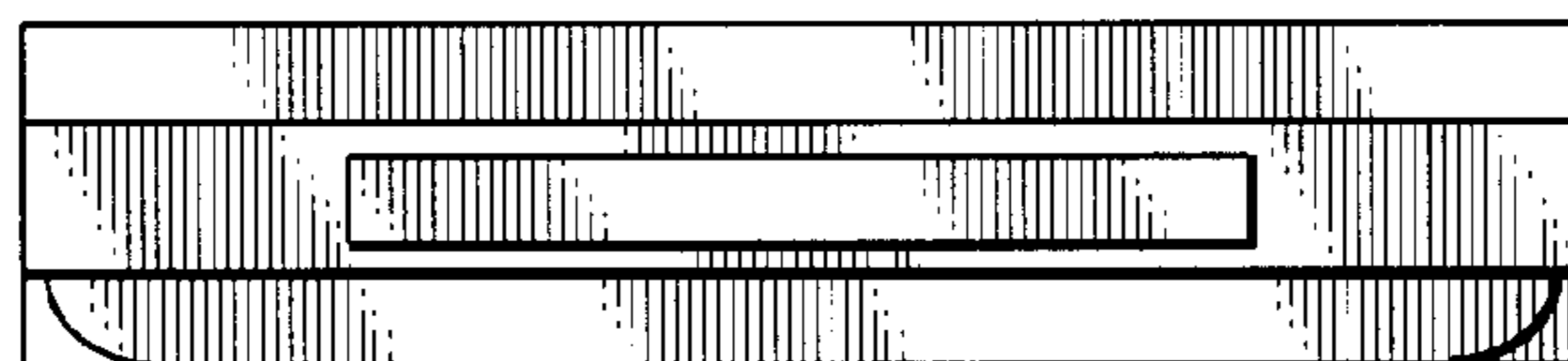




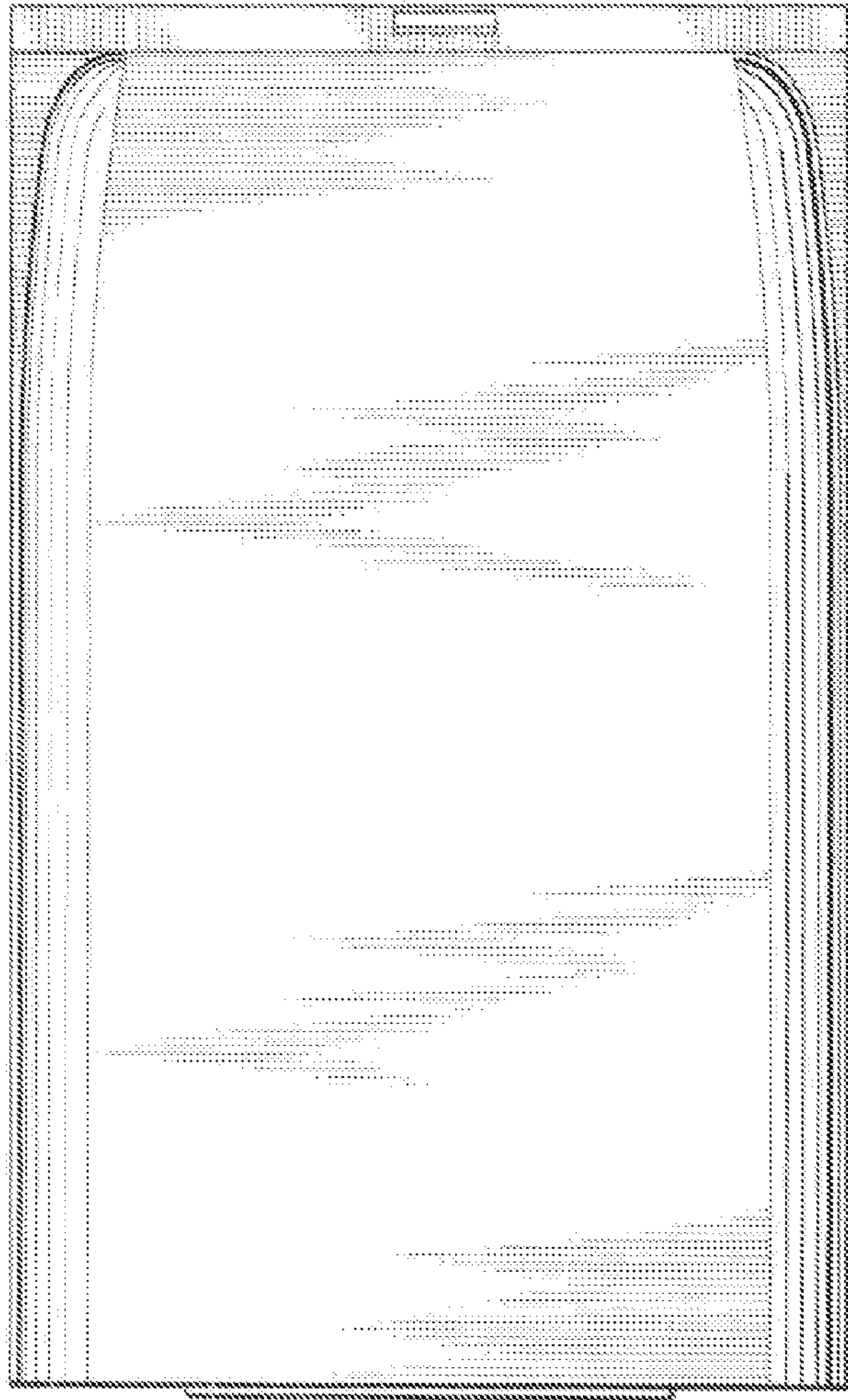
*Fig. 1*



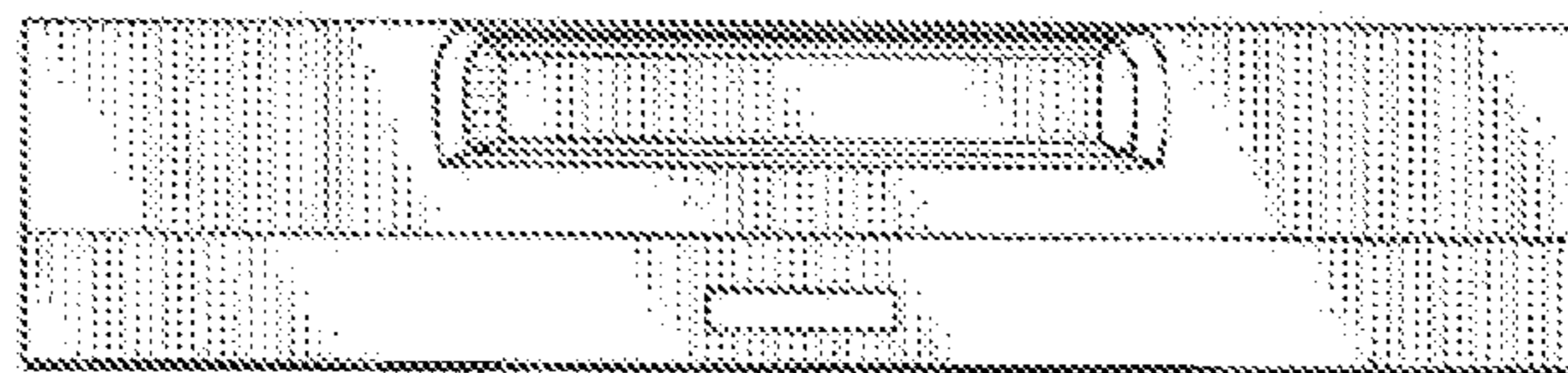
***Fig. 2***



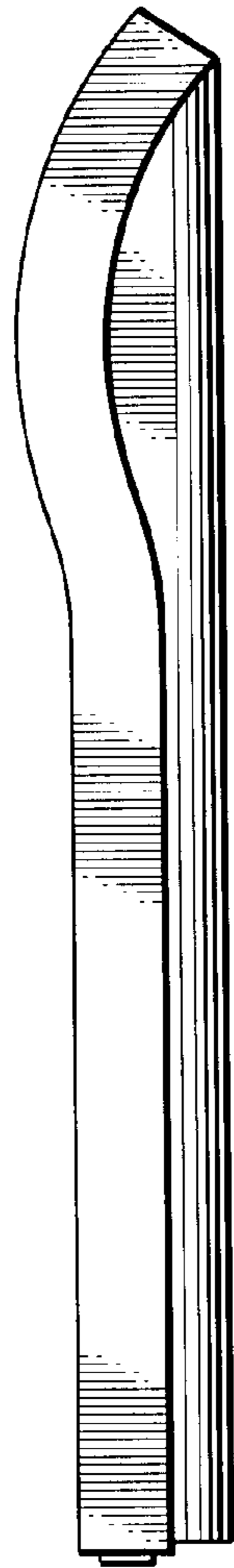
***Fig. 3***



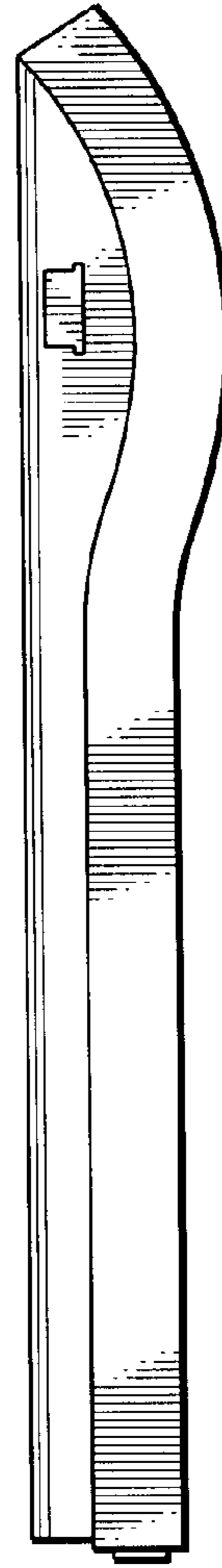
*Fig. 4*



*Fig. 5*



***Fig. 6***



***Fig. 7***