



US00D618677S

(12) **United States Design Patent**
Andre et al.

(10) **Patent No.:** **US D618,677 S**
(45) **Date of Patent:** **** *Jun. 29, 2010**

(54) **ELECTRONIC DEVICE**

- (75) Inventors: **Bartley K. Andre**, Menlo Park, CA (US); **Daniel J. Coster**, San Francisco, CA (US); **Daniele De Iuliis**, San Francisco, CA (US); **Richard P. Howarth**, San Francisco, CA (US); **Jonathan P. Ive**, San Francisco, CA (US); **Steve Jobs**, Palo Alto, CA (US); **Duncan Robert Kerr**, San Francisco, CA (US); **Shin Nishibori**, Portola Valley, CA (US); **Matthew Dean Rohrbach**, San Francisco, CA (US); **Douglas B. Satzger**, Menlo Park, CA (US); **Calvin Q. Seid**, Palo Alto, CA (US); **Christopher J. Stringer**, Woodside, CA (US); **Eugene Antony Whang**, San Francisco, CA (US); **Rico Zorkendorfer**, San Francisco, CA (US)
- (73) Assignee: **Apple Inc.**, Cupertino, CA (US)
- (*) Notice: This patent is subject to a terminal disclaimer.
- (**) Term: **14 Years**
- (21) Appl. No.: **29/328,018**
- (22) Filed: **Nov. 18, 2008**

Related U.S. Application Data

- (60) Division of application No. 29/282,834, filed on Jul. 30, 2007, now Pat. No. Des. 581,922, which is a continuation of application No. 29/270,888, filed on Jan. 5, 2007, now Pat. No. Des. 558,758.
 - (51) **LOC (9) Cl.** **14-02**
 - (52) **U.S. Cl.** **D14/341**; D14/248; D14/203.7
 - (58) **Field of Classification Search** D14/341, D14/342, 343, 344, 345, 346, 347, 420, 426, D14/427, 432, 439, 440, 441, 448, 496, 125, D14/137, 129, 130, 138, 250, 389, 147, 218, D14/247, 248, 156; D10/65, 104; D13/168; D18/6, 7; D21/329, 686; 455/90.3, 556.1, 455/556.2, 575.1, 575.3, 575.4; 379/433.01, 379/433.04, 433.06, 433.07; 361/814; 341/22; 345/169, 173; D6/596, 601, 605
- See application file for complete search history.

(56) **References Cited**

- U.S. PATENT DOCUMENTS
- D289,873 S 5/1987 Gemmell et al.
(Continued)
- FOREIGN PATENT DOCUMENTS
- EM 000569157-0005 5/2006
(Continued)
- OTHER PUBLICATIONS
- U.S. Appl. No. 29/282,831, Andre et al., Electronic Device, filed Jul. 30, 2007.
(Continued)
- Primary Examiner*—Cathron C Brooks
- Assistant Examiner*—Angela J Lee
- (74) *Attorney, Agent, or Firm*—Sterne, Kessler, Goldstein & Fox PLLC

(57) **CLAIM**

The ornamental design of an electronic device, as shown and described.

DESCRIPTION

FIG. 1 is a front perspective view of an electronic device in accordance with the present invention;

FIG. 2 is a rear perspective view thereof;

FIG. 3 is a front view thereof;

FIG. 4 is a rear view thereof;

FIG. 5 is a top view thereof;

FIG. 6 is bottom view thereof;

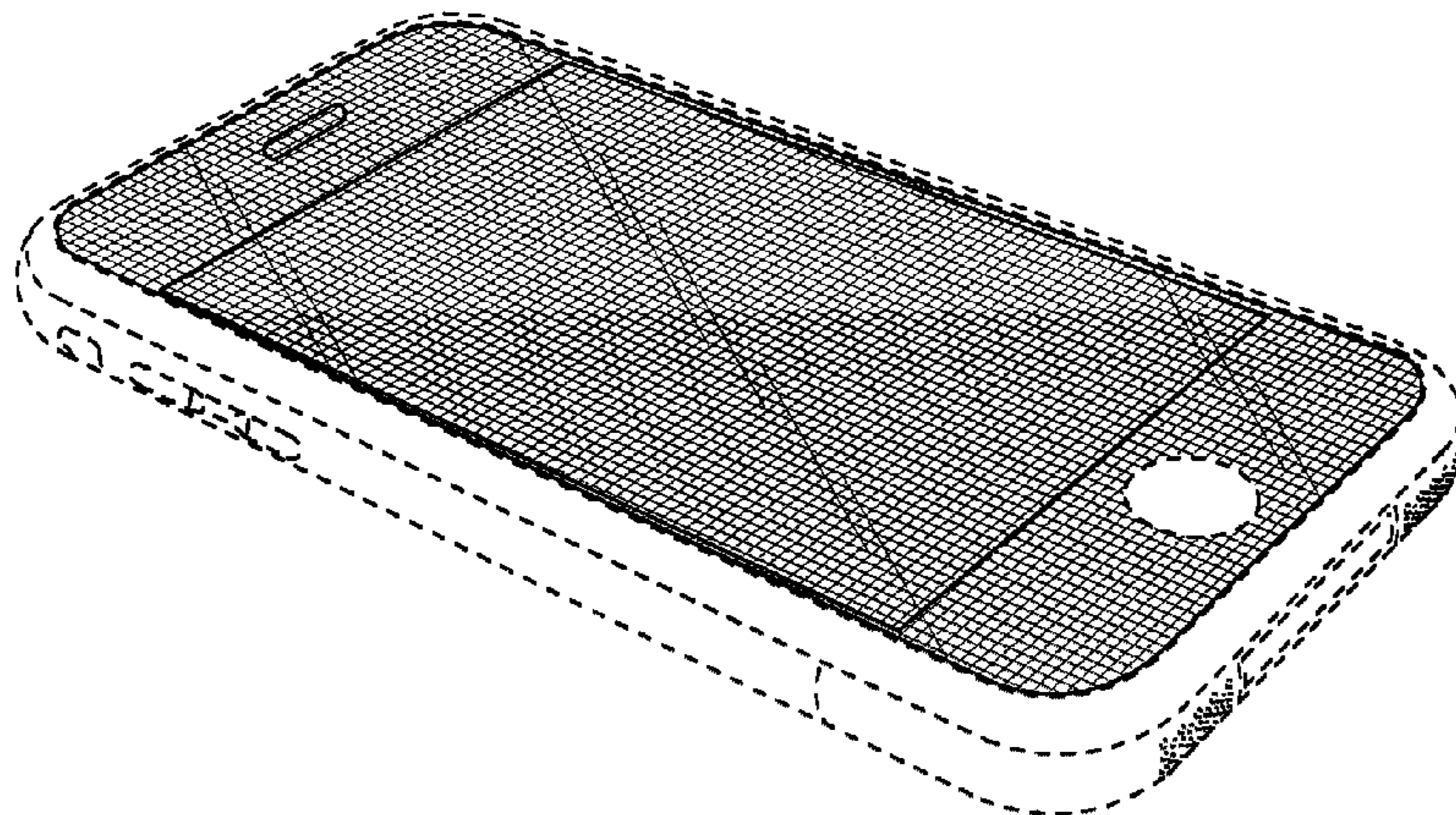
FIG. 7 is a left side view thereof; and,

FIG. 8 is a right side view thereof.

The claimed surface of the electronic device is illustrated with the color designation for the color black.

The electronic device is not limited to the scale shown herein. As indicated in the title, the article of manufacture to which the ornamental design has been applied is an electronic device, media player (e.g., music, video and/or game player), media storage device, a personal digital assistant, a communication device (e.g., cellular phone), a novelty item or toy.

1 Claim, 2 Drawing Sheets



US D618,677 S

U.S. PATENT DOCUMENTS

D337,569	S	7/1993	Kando	
D410,440	S	* 6/1999	Carnell	D14/346
D424,535	S	5/2000	Peltola	
D455,433	S	* 4/2002	Alviar et al.	D14/441
D456,023	S	4/2002	Andre et al.	
D458,252	S	* 6/2002	Palm et al.	D14/343
D469,413	S	* 1/2003	To et al.	D14/126
D489,731	S	5/2004	Huang	
D498,754	S	11/2004	Blyth	
D499,423	S	12/2004	Bahroocha et al.	
D502,173	S	2/2005	Jung et al.	
D504,889	S	5/2005	Andre et al.	
D505,950	S	6/2005	Summit et al.	
D507,003	S	7/2005	Pai et al.	
D514,121	S	1/2006	Johnson	
D514,590	S	2/2006	Naruki	
D519,116	S	4/2006	Tanaka et al.	
D519,523	S	4/2006	Chiu et al.	
D520,020	S	5/2006	Senda et al.	
7,042,712	B2	* 5/2006	Ghosh et al.	361/679.03
D528,542	S	9/2006	Luminosu et al.	
D528,561	S	9/2006	Ka-Wei et al.	
D529,045	S	9/2006	Shin	
D532,791	S	11/2006	Kim	
D534,143	S	12/2006	Lheem	
D535,281	S	1/2007	Yang	
D536,691	S	2/2007	Park	
D536,962	S	2/2007	Tanner	
D538,822	S	3/2007	Andre et al.	
D541,298	S	4/2007	Andre et al.	
D541,299	S	4/2007	Andre et al.	
D541,785	S	5/2007	Hwang et al.	
D546,313	S	7/2007	Lheem	
D548,732	S	8/2007	Cebe et al.	
D548,747	S	8/2007	Andre et al.	
D554,098	S	10/2007	Lee	
D556,211	S	11/2007	Howard	
D557,238	S	12/2007	Kim	
7,303,424	B2	12/2007	Tu et al.	
D558,460	S	1/2008	Yu et al.	
D558,756	S	1/2008	Andre et al.	
D558,757	S	1/2008	Andre et al.	
D558,758	S	1/2008	Andre et al.	
D558,792	S	1/2008	Chigira	
D559,220	S	1/2008	Lee et al.	
D560,192	S	1/2008	Lee et al.	
D560,683	S	1/2008	Lee	
D560,686	S	1/2008	Kim	
D561,153	S	2/2008	Hong et al.	
D561,204	S	2/2008	Toh	
D561,782	S	2/2008	Kim	
D562,285	S	2/2008	Lim	
D563,432	S	3/2008	Kim	
D563,929	S	3/2008	Park	
D568,309	S	* 5/2008	Cebe et al.	D14/341
D573,143	S	* 7/2008	Park et al.	D14/341
D574,015	S	* 7/2008	Masui	D14/496
7,409,059	B2	* 8/2008	Fujisawa	379/433.13
D579,930	S	* 11/2008	Maskatia	D14/341
D580,387	S	11/2008	Andre et al.	
D581,922	S	12/2008	Andre et al.	
D584,738	S	* 1/2009	Kim et al.	D14/496
D586,800	S	* 2/2009	Andre et al.	D14/341
D589,979	S	* 4/2009	Andre et al.	D14/496
2004/0132499	A1	7/2004	Abe	
2004/0166907	A1	8/2004	Yajima	
2004/0223004	A1	11/2004	Lincke et al.	
2005/0130715	A1	6/2005	Fujisawa	
2006/0281501	A1	12/2006	Zuo et al.	
2007/0082718	A1	4/2007	Yoon et al.	

2008/0004083	A1	* 1/2008	Ohki et al.	455/566
2008/0004085	A1	1/2008	Jung et al.	

FOREIGN PATENT DOCUMENTS

JP	D1159881	12/2002
JP	D1250487	9/2005
JP	2004 290256	10/2005
KR	30-0394921	12/2005
KR	30-0422221	8/2006

OTHER PUBLICATIONS

U.S. Appl. No. 29/282,832, Andre et al., Electronic Device, filed Jul. 30, 2007.

U.S. Appl. No. 29/282,833, Andre et al., Electronic Device, filed Jul. 30, 2007.

U.S. Appl. No. 29/284,187, Andre et al., Electronic Device, filed Aug. 31, 2007.

U.S. Appl. No. 29/284,188, Andre et al., Electronic Device, filed Aug. 31, 2007.

U.S. Appl. No. 29/284,269, Andre et al., Electronic Device, filed Sep. 4, 2007.

U.S. Appl. No. 29/284,272, Andre et al., Electronic Device, filed Sep. 5, 2007.

U.S. Appl. No. 29/284,276, Andre et al., Electronic Device, filed Sep. 5, 2007.

U.S. Appl. No. 29/284,288, Andre et al., Electronic Device, filed Sep. 5, 2007.

U.S. Appl. No. 29/284,308, Andre et al., Electronic Device, filed Sep. 5, 2007.

U.S. Appl. No. 29/284,310, Andre et al., Electronic Device, filed Sep. 5, 2007.

Hilon LG DMB MP3 FM35, posted on Jun. 26, 2006, [online], [retrieved on Dec. 26, 2008]. Retrieved from Internet, <URL:http://hilon.com.en.autobak/a8810005549>.

eFashion Magazine, 2004, vol. No. 12, p. 60, China.

eFashion Magazine, Jun. 1, 2005, vol. No. 119, p. 45, China.

eFashion Magazine, Apr. 2006, vol. No. 142, p. 26, China.

Notification and Request for Invalidation of Chinese Patent ZL200730148767.X, Patent Reexamination Board of the State of Intellectual Property Office of the PRC and English translation, mailed Dec. 11, 2008, 19 pages.

Notification and Request for Invalidation of Chinese Patent ZL200730148751.9, Patent Reexamination Board of the State of Intellectual Property Office of the PRC and English translation, mailed Dec. 11, 2008, 19 pages.

Notification and Request for Invalidation of Chinese Patent ZL200730148719.0, Patent Reexamination Board of the State of Intellectual Property Office of the PRC and English translation, mailed Dec. 11, 2008, 19 pages.

U.S. Appl. No. 29/306,334, Andre et al., Electronic Device, filed Apr. 7, 2008.

U.S. Appl. No. 29/306,950, Andre et al., Electronic Device, filed Apr. 18, 2008.

U.S. Appl. No. 29/319,239, Andre et al., Electronic Device, filed Jun. 5, 2008.

U.S. Appl. No. 29/319,433, Andre et al., Electronic Device, filed Jun. 9, 2008.

U.S. Appl. No. 29/324,130, Andre et al., Electronic Device, filed Sep. 5, 2008.

U.S. Appl. No. 29/324,137, Andre et al., Electronic Device, filed Sep. 6, 2008.

U.S. Appl. No. 29/324,262, Andre et al., Electronic Device, filed Sep. 9, 2008.

U.S. Appl. No. 29/284,271, Andre et al., Electronic Device, filed Sep. 4, 2007.

U.S. Appl. No. 29/284,312, Andre et al., Electronic Device, filed Sep. 5, 2007.

U.S. Appl. No. 29/319,377, Andre et al., Electronic Device, filed Jun. 6, 2008.

Samsung F700, announced Feb. 2007, [online], [retrieved on Feb. 8, 2007]. Retrieved from Internet, <URL:http://www.gsmarena.com>.

US D618,677 S

Page 3

Philips S900, announced Jun. 2006, [online], [retrieved on Feb. 20, 2007]. Retrieved from Internet, <URL:<http://www.gsmarena.com>>.
LG DE850 Prada, announced Jan. 2007, [online], [retrieved on Feb. 20, 2007]. Retrieved from Internet, <URL:<http://www.gsmarena.com>>.

Apple iPhone, announced Jan. 2007, [online], [retrieved on Mar. 12, 2007]. Retrieved from Internet, <URL:<http://www.gsmarena.com>>.

Tinnos PDA, posted May 19, 2006, [online], [retrieved on Aug. 22, 2007]. Retrieved from Internet, <URL:<http://www.mobilewhack.com>>.

Meizu M8, posted Jan. 29, 2007, [online], [retrieved on Sep. 13, 2007]. Retrieved from Internet, <URL:<http://www.engadget.com>>.

* cited by examiner

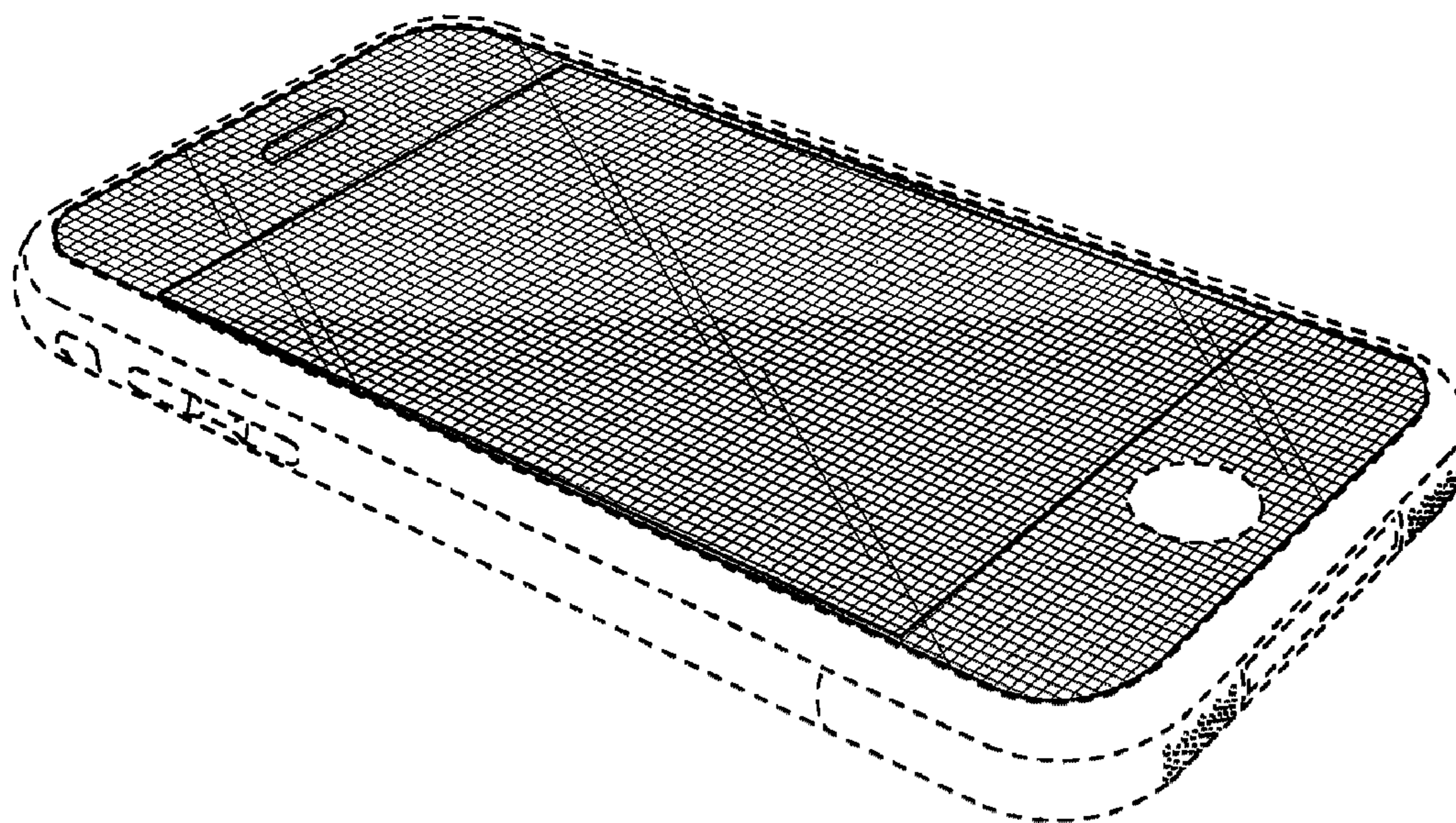


FIG. 1

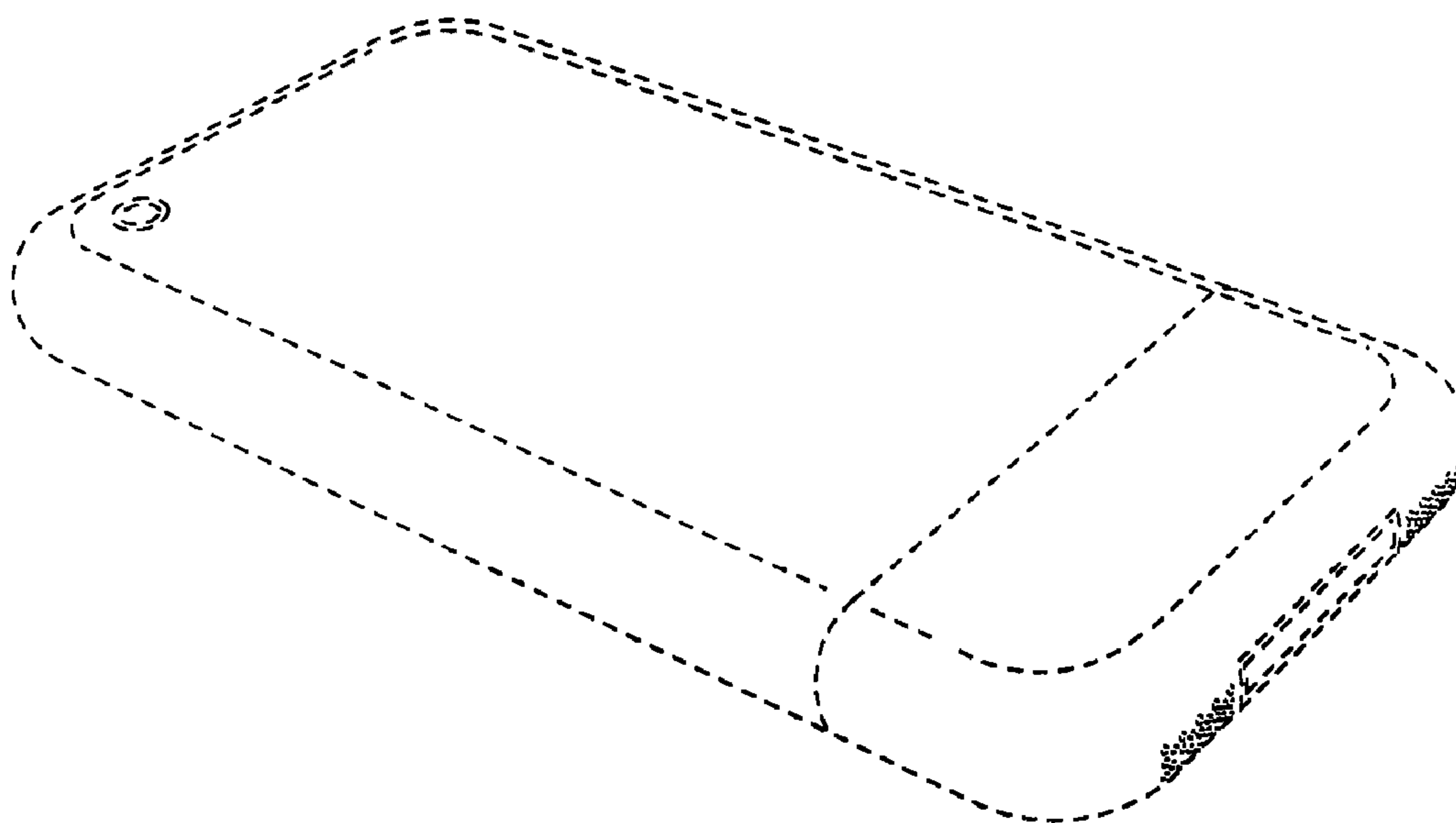


FIG. 2

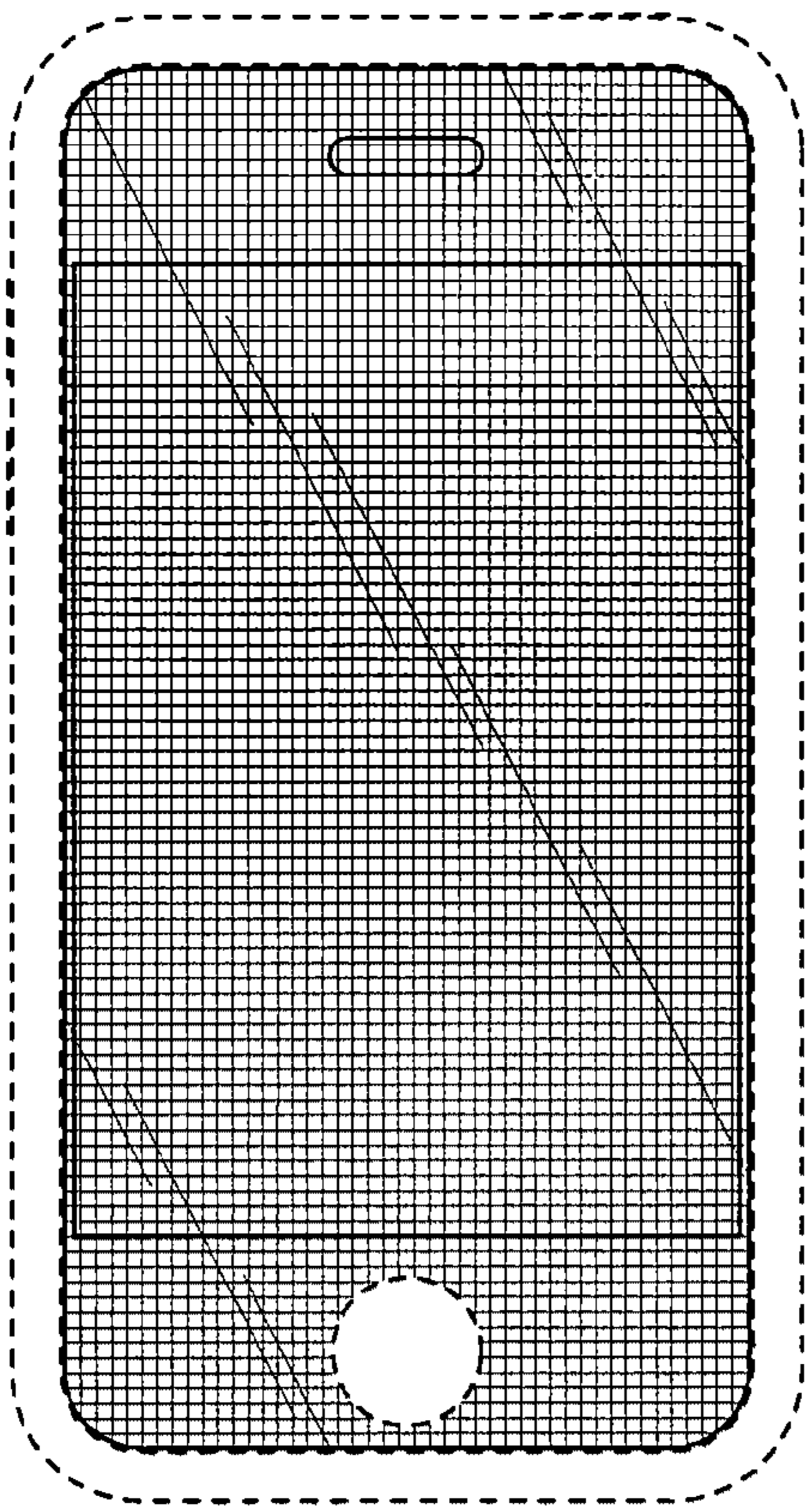


FIG. 3

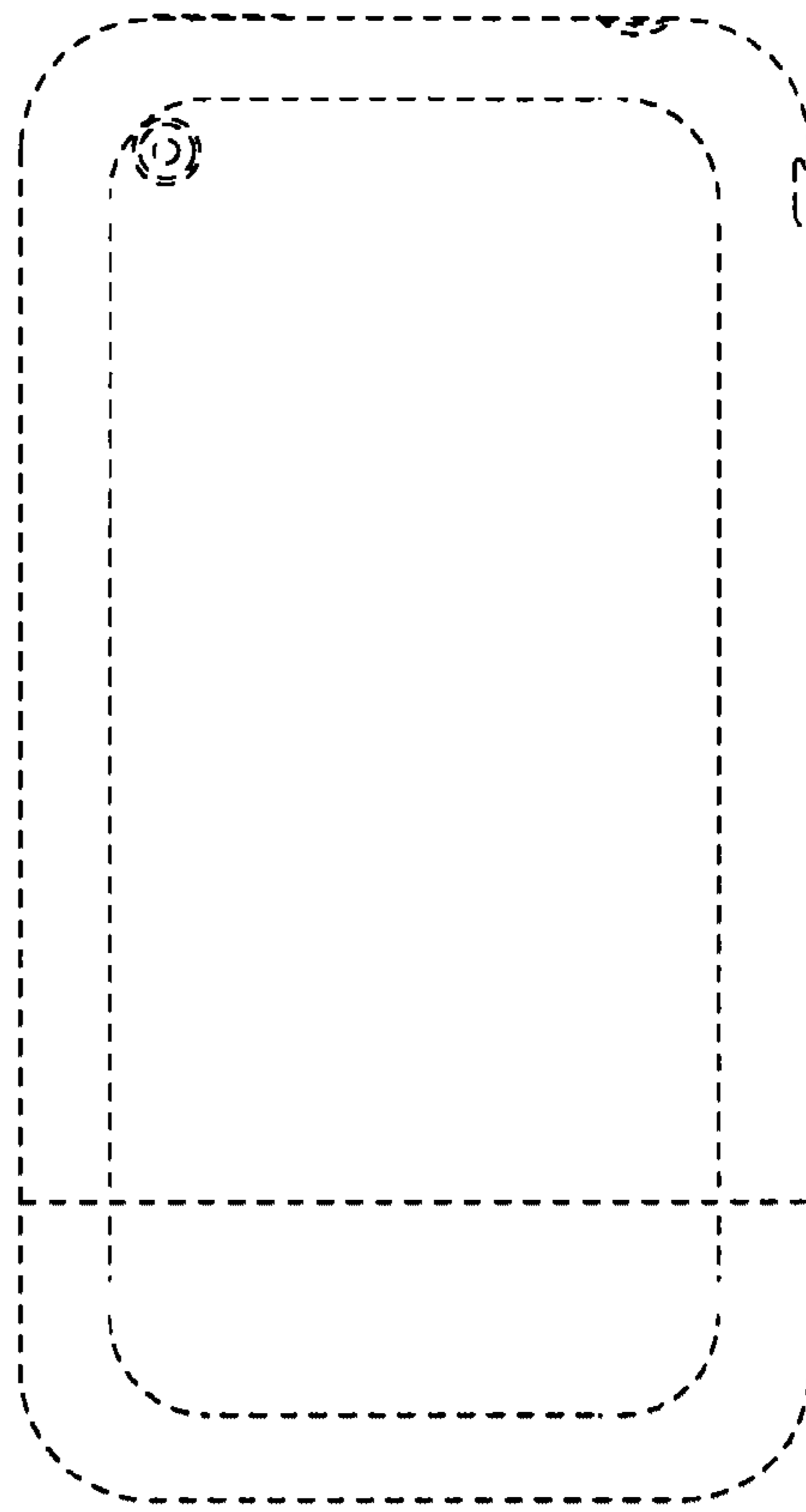


FIG. 4

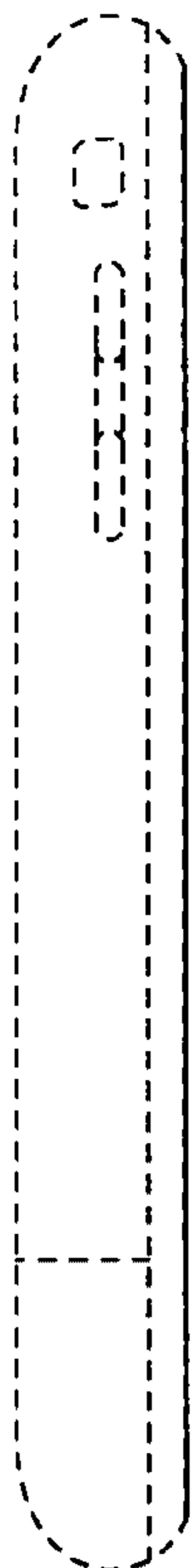


FIG. 7



FIG. 8

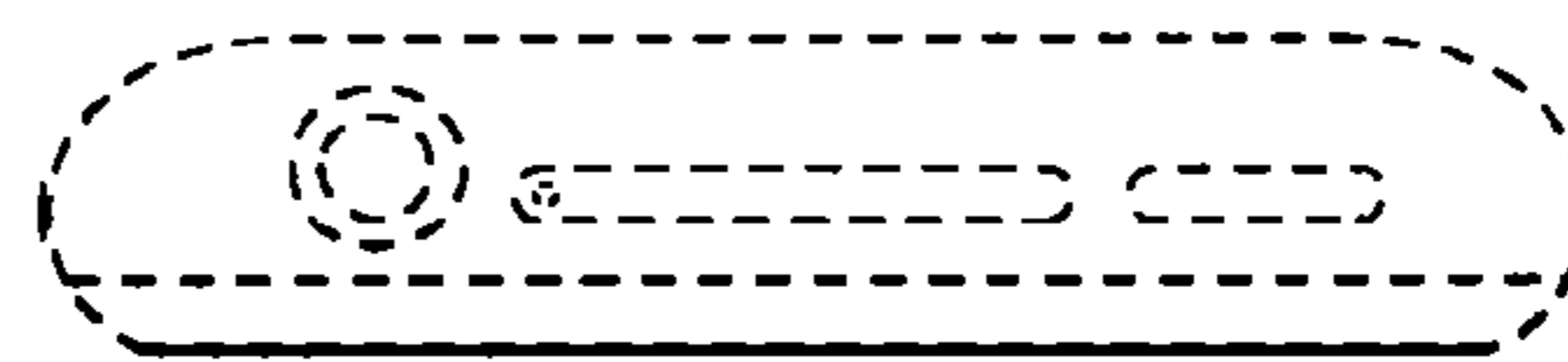


FIG. 5

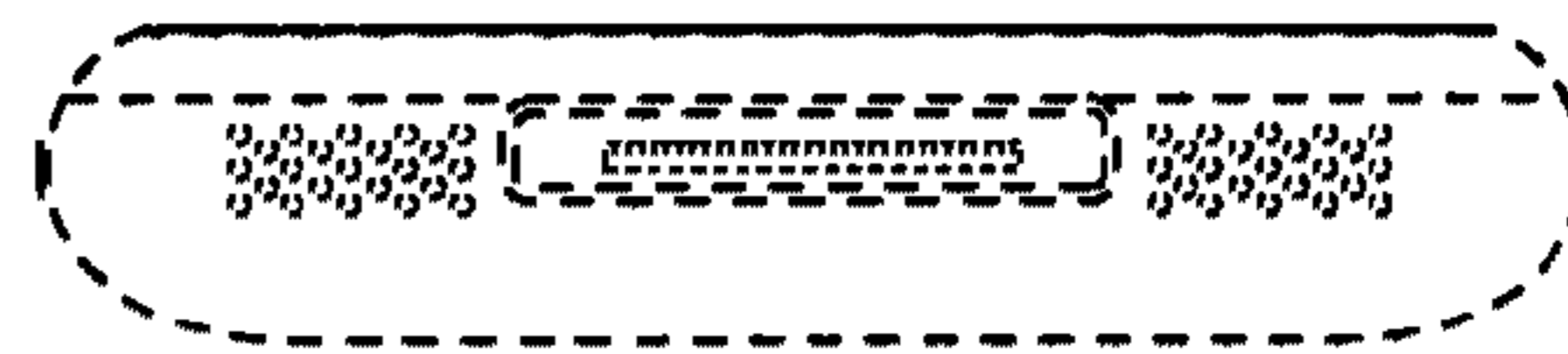


FIG. 6

Disclaimer

D. 618,677 S—Bartley K. Andre, Menlo Park, CA (US); Daniel J. Coster, San Francisco, CA (US); Daniele De Iuliis, San Francisco, CA (US); Richard P. Howarth, San Francisco, CA (US); Jonathan P. Ive, San Francisco, CA (US); Steve Jobs, Palo Alto, CA (US); Duncan Robert Kerr, San Francisco, CA (US); Shin Nishibori, Portola Valley, CA (US); Matthew Dean Rohrbach, San Francisco, CA (US); Douglas B. Satzger, Menlo Park, CA (US); Calvin Q. Seid, Palo Alto, CA (US); Christopher J. Stringer, Woodside, CA (US); Eugene Antony Whang, San Francisco, CA (US); Rico Zorkendorfer, San Francisco, CA (US). ELECTRONIC DEVICE. Patent dated June 29, 2010. Disclaimer filed November 27, 2012, by the assignee, Apple Inc.

The term of this patent shall not extend beyond the expiration date of Patent No. D. 593,087.

(Official Gazette, January 1, 2013)



US00D618677C1

(12) **EX PARTE REEXAMINATION CERTIFICATE** (12025th)
United States Patent
Andre et al.

(10) **Number:** **US D618,677 C1**
(45) **Certificate Issued:** **Apr. 1, 2022**

(54) **ELECTRONIC DEVICE**

(75) Inventors: **Bartley K. Andre**, Menlo Park, CA (US); **Daniel J. Coster**, San Francisco, CA (US); **Daniele De Iuliis**, San Francisco, CA (US); **Richard P. Howarth**, San Francisco, CA (US); **Jonathan P. Ive**, San Francisco, CA (US); **Steve Jobs**, Palo Alto, CA (US); **Duncan Robert Kerr**, San Francisco, CA (US); **Shin Nishibori**, Portola Valley, CA (US); **Matthew Dean Rohrbach**, San Francisco, CA (US); **Douglas B. Satzger**, Menlo Park, CA (US); **Calvin Q. Seid**, Palo Alto, CA (US); **Christopher J. Stringer**, Woodside, CA (US); **Eugene Antony Whang**, San Francisco, CA (US); **Rico Zorkendorfer**, San Francisco, CA (US)

(73) Assignee: **Apple Inc.**

Reexamination Request:

No. 90/012,884, May 31, 2013

Reexamination Certificate for:

Patent No.: **Des. 618,677**
Issued: **Jun. 29, 2010**
Appl. No.: **29/328,018**
Filed: **Nov. 18, 2008**

Related U.S. Application Data

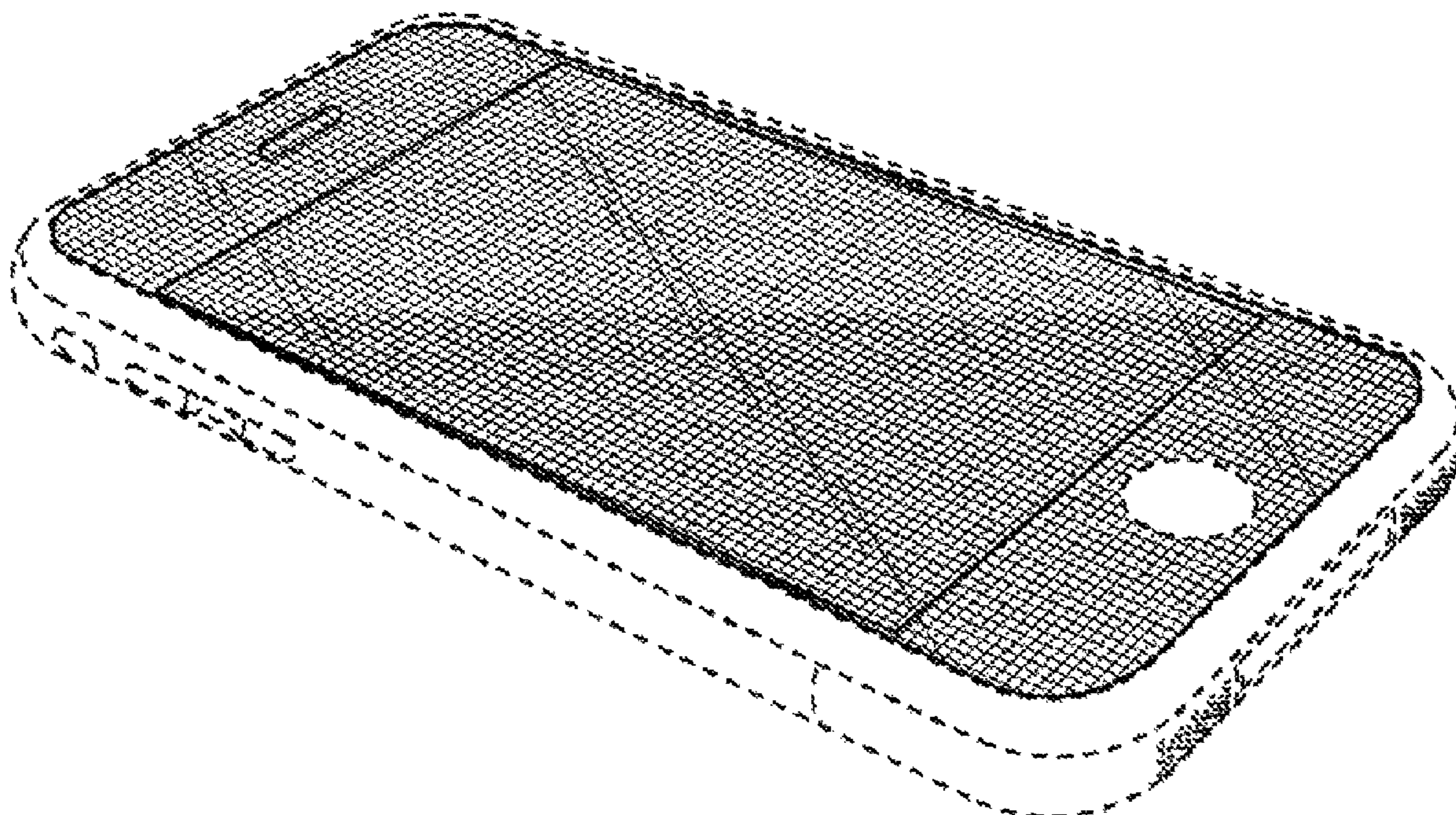
(60) Division of application No. 29/282,834, filed on Jul. 30, 2007, now Pat. No. Des. 581,922, which is a continuation of application No. 29/270,888, filed on Jan. 5, 2007, now Pat. No. Des. 558,758.
(51) **LOC (13) CI.** **14-02**
(52) **U.S. CI.**
USPC **D14/341; D14/248; D14/203.7**
(58) **Field of Classification Search**
None
See application file for complete search history.

(56) **References Cited**

To view the complete listing of prior art documents cited during the proceeding for Reexamination Control Number 90/012,884, please refer to the USPTO's public Patent Application Information Retrieval (PAIR) system under the Display References tab.

Primary Examiner — Ian Simmons

Attention is directed to the decision of *Apple Inc. v. Samsung Electronics Co. Ltd. et al* U.S. District-California Northern (San Jose) 5:11cv1846 relating to this patent. This reexamination may not have resolved all questions raised by this decision. See 37 CFR 1.552(c) for *ex parte* reexamination and 37 CFR 1.906(c) for *inter partes* reexamination.



1
EX PARTE
REEXAMINATION CERTIFICATE

NO AMENDMENTS HAVE BEEN MADE TO
THE PATENT

5

AS A RESULT OF REEXAMINATION, IT HAS BEEN
DETERMINED THAT:

The patentability of claim 1 is confirmed.

10

* * * * *