



US00D618674S

(12) **United States Design Patent**  
**Yasuda**

(10) **Patent No.:** **US D618,674 S**  
(45) **Date of Patent:** **\*\* Jun. 29, 2010**

(54) **MOBILE PHONE**

FOREIGN PATENT DOCUMENTS

(75) Inventor: **Tomohiro Yasuda**, Osaka (JP)

KR 30-0413757 5/2006

(73) Assignee: **Panasonic Corporation**, Osaka (JP)

(Continued)

(\*\*) Term: **14 Years**

OTHER PUBLICATIONS

(21) Appl. No.: **29/350,974**

Panasonic MX6, announced 1Q 2005, <URL:http://www.gsmarena.com/panasonic\_mx6-pictures-1061.php>, retrieved from internet Mar. 25, 2010.\*

(22) Filed: **Nov. 25, 2009**

(30) **Foreign Application Priority Data**

(Continued)

Apr. 15, 2009 (JP) ..... 2009-013494

*Primary Examiner*—Robert M Spear

*Assistant Examiner*—Carla Jobe Wright

(51) **LOC (9) Cl.** ..... **14-03**

(74) *Attorney, Agent, or Firm*—Brinks Hofer Gilson & Lione

(52) **U.S. Cl.** ..... **D14/248**

(58) **Field of Classification Search** ..... D14/138 AB,  
D14/138 AC, 138 AD, 138 C, 138 G, 138 R,  
D14/248, 341–347, 496; 348/14.01–14.02;  
379/433.01–433.13; 455/90.3, 556.1–556.2,  
455/566, 575.1, 575.3, 575.4

(57) **CLAIM**

See application file for complete search history.

I claim the ornamental design for a mobile phone, as shown and described.

**DESCRIPTION**

(56) **References Cited**

U.S. PATENT DOCUMENTS

- D465,467 S \* 11/2002 Nagai et al. .... D14/138 AB
- D536,336 S \* 2/2007 Oe et al. .... D14/248
- 7,286,861 B2 \* 10/2007 Woo ..... 455/575.3
- D558,170 S \* 12/2007 Wang et al. .... D14/138 AB
- D559,843 S \* 1/2008 Takamori et al. .... D14/248
- D560,183 S \* 1/2008 Kim et al. .... D14/138 AB
- D560,216 S \* 1/2008 Takamori et al. .... D14/248
- D562,278 S 2/2008 Kim et al.
- 7,330,742 B2 \* 2/2008 Kang et al. .... 455/575.3
- D563,351 S 3/2008 Baik et al.
- D566,677 S 4/2008 Park et al.
- D571,759 S 6/2008 Choi et al.
- D571,767 S \* 6/2008 Holmung et al. .... D14/138 AB
- D575,256 S \* 8/2008 Kim et al. .... D14/138 AB
- D576,137 S 9/2008 Jeon et al.
- D578,499 S 10/2008 Park et al.
- 7,433,722 B2 \* 10/2008 Sakamoto et al. .... 455/575.3
- D582,368 S 12/2008 Cho et al.

FIG. 1 is a front perspective view of a mobile phone of the present invention;

FIG. 2 is a front view thereof;

FIG. 3 is a rear view thereof;

FIG. 4 is a right side view thereof, the left side view being a mirror image thereof;

FIG. 5 is a top view thereof;

FIG. 6 is a bottom view thereof;

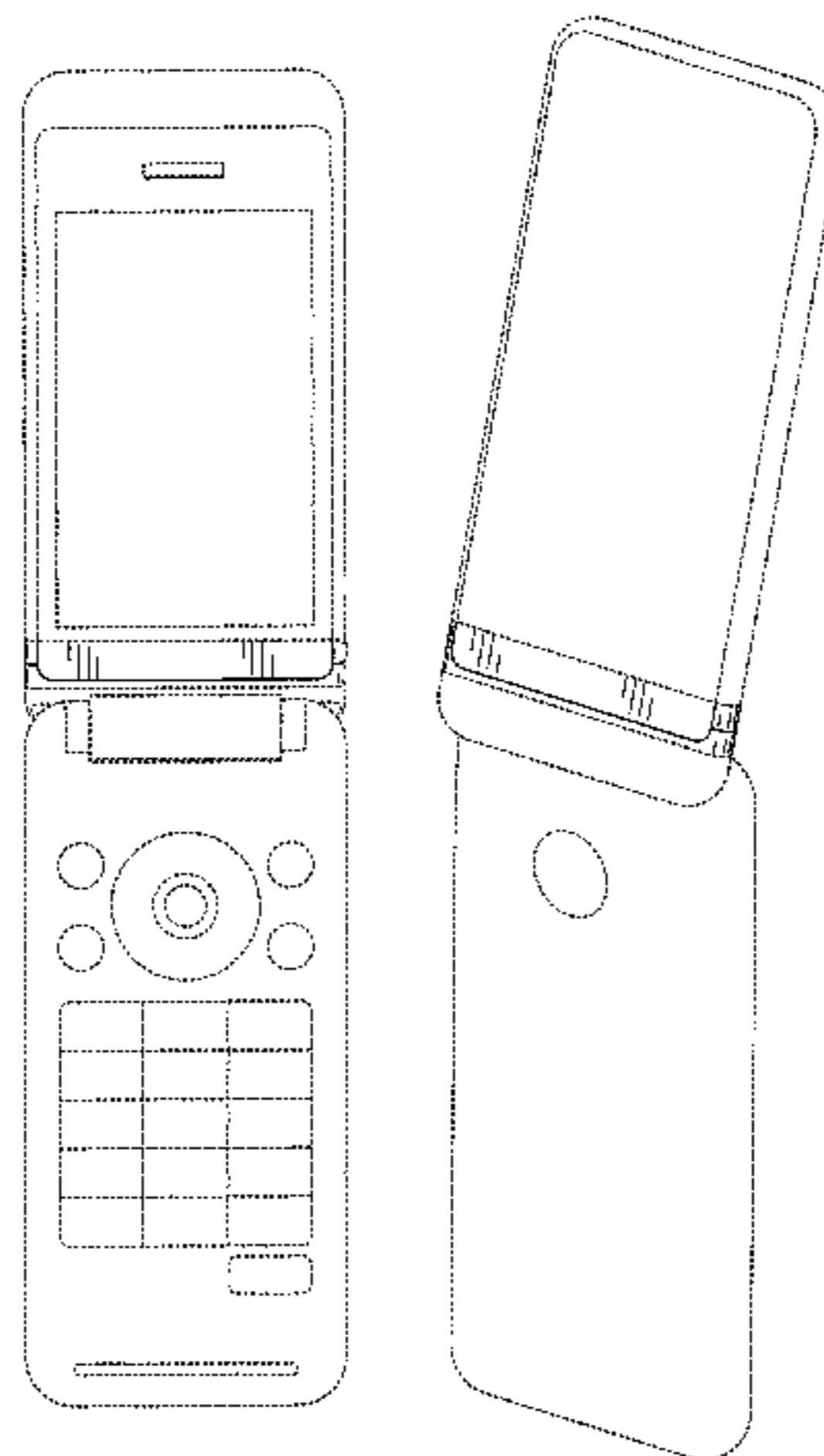
FIG. 7 is a rear perspective view thereof; and,

FIG. 8 is a front view thereof shown with the display portion in a rotated position.

The broken lines immediately adjacent the shaded areas represent the bounds of the claimed design and form no part of the claimed design. The remaining broken lines showing the mobile phone illustrate environment that forms no part of the claimed design.

(Continued)

**1 Claim, 8 Drawing Sheets**



# US D618,674 S

Page 2

## U.S. PATENT DOCUMENTS

D582,885 S \* 12/2008 Shimpei ..... D14/138 AB  
D587,235 S 2/2009 Hanafusa et al.  
D588,090 S \* 3/2009 Nguyen et al. .... D14/138 AB  
D588,571 S \* 3/2009 Yasuda ..... D14/138 AB  
D591,260 S \* 4/2009 Kim et al. .... D14/138 AB  
D593,051 S 5/2009 Chung  
D593,054 S \* 5/2009 Tompkin ..... D14/138 AB  
7,554,595 B2 \* 6/2009 Shin et al. .... 348/333.06  
2003/0223576 A1 \* 12/2003 Totani ..... 379/433.04  
2004/0203535 A1 \* 10/2004 Kim et al. .... 455/90.3  
2004/0209645 A1 \* 10/2004 Park et al. .... 455/556.1  
2005/0153753 A1 \* 7/2005 Cheng ..... 455/575.3  
2005/0215296 A1 \* 9/2005 Fujihara et al. .... 455/575.3

2005/0245296 A1\* 11/2005 Hong et al. .... 455/575.3  
2006/0135226 A1\* 6/2006 Won et al. .... 455/575.3  
2007/0123325 A1\* 5/2007 Kim et al. .... 455/575.3

## FOREIGN PATENT DOCUMENTS

WO DM/066166 \* 12/2004

## OTHER PUBLICATIONS

Nokia Mural, announced Sep. 2009, <URL:[http://www.gsmarena.com/nokia\\_mural-pictures-2925.php](http://www.gsmarena.com/nokia_mural-pictures-2925.php), retrieved from internet Mar. 25, 2010.\*

Office Action in Japanese Application No. 2009-013494, dated Dec. 1, 2009, 2 pages.

\* cited by examiner

**FIG.1**

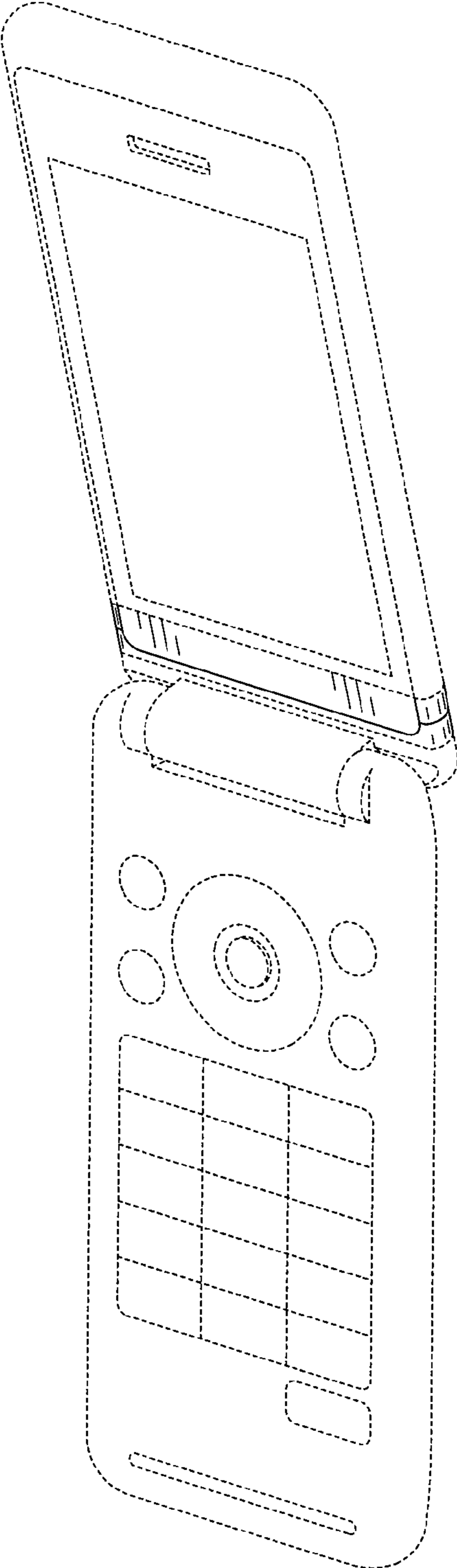
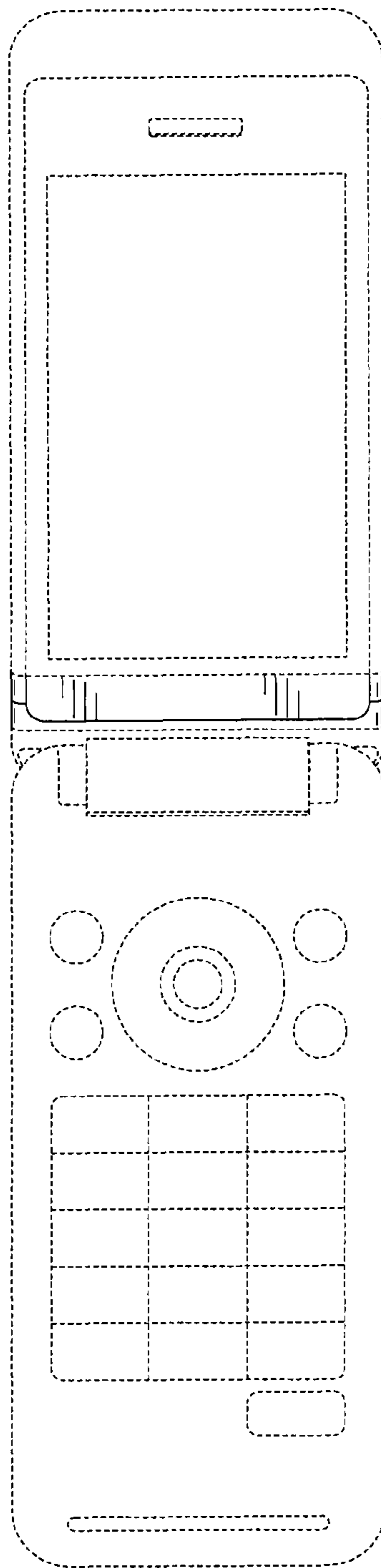
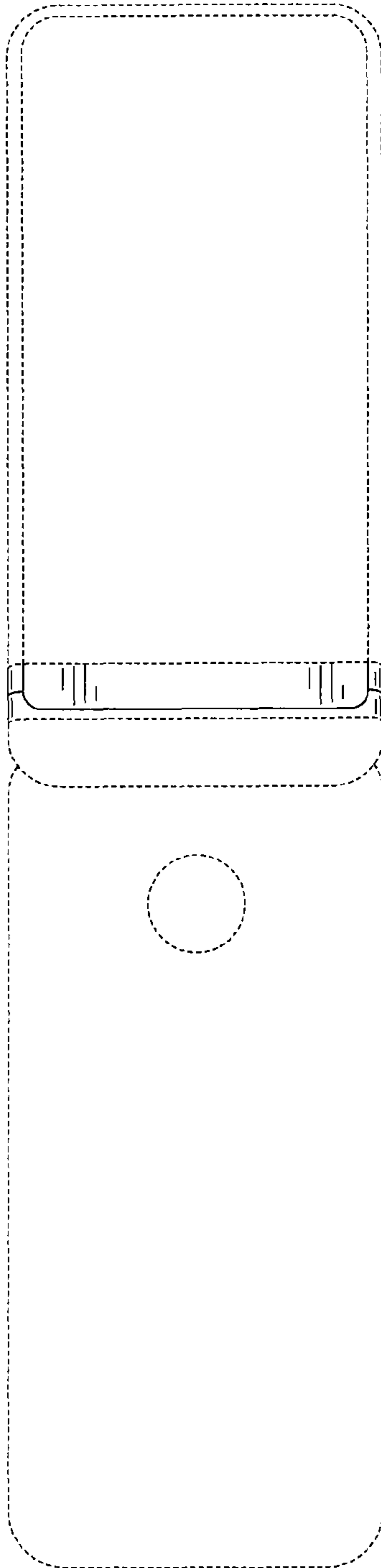


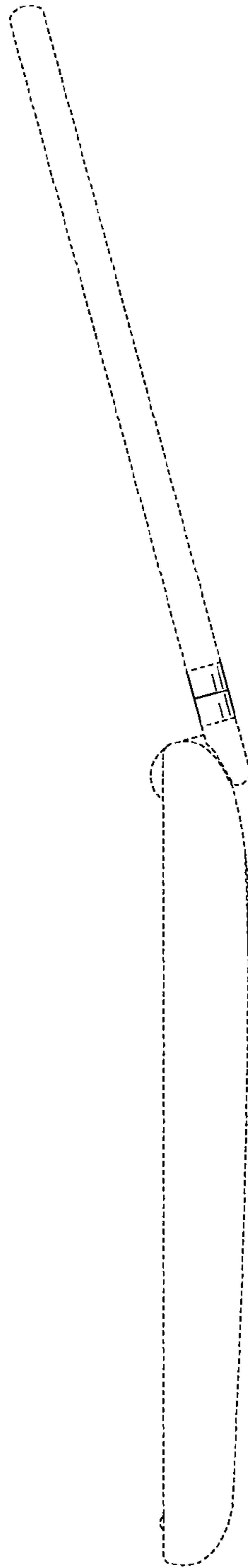
FIG.2



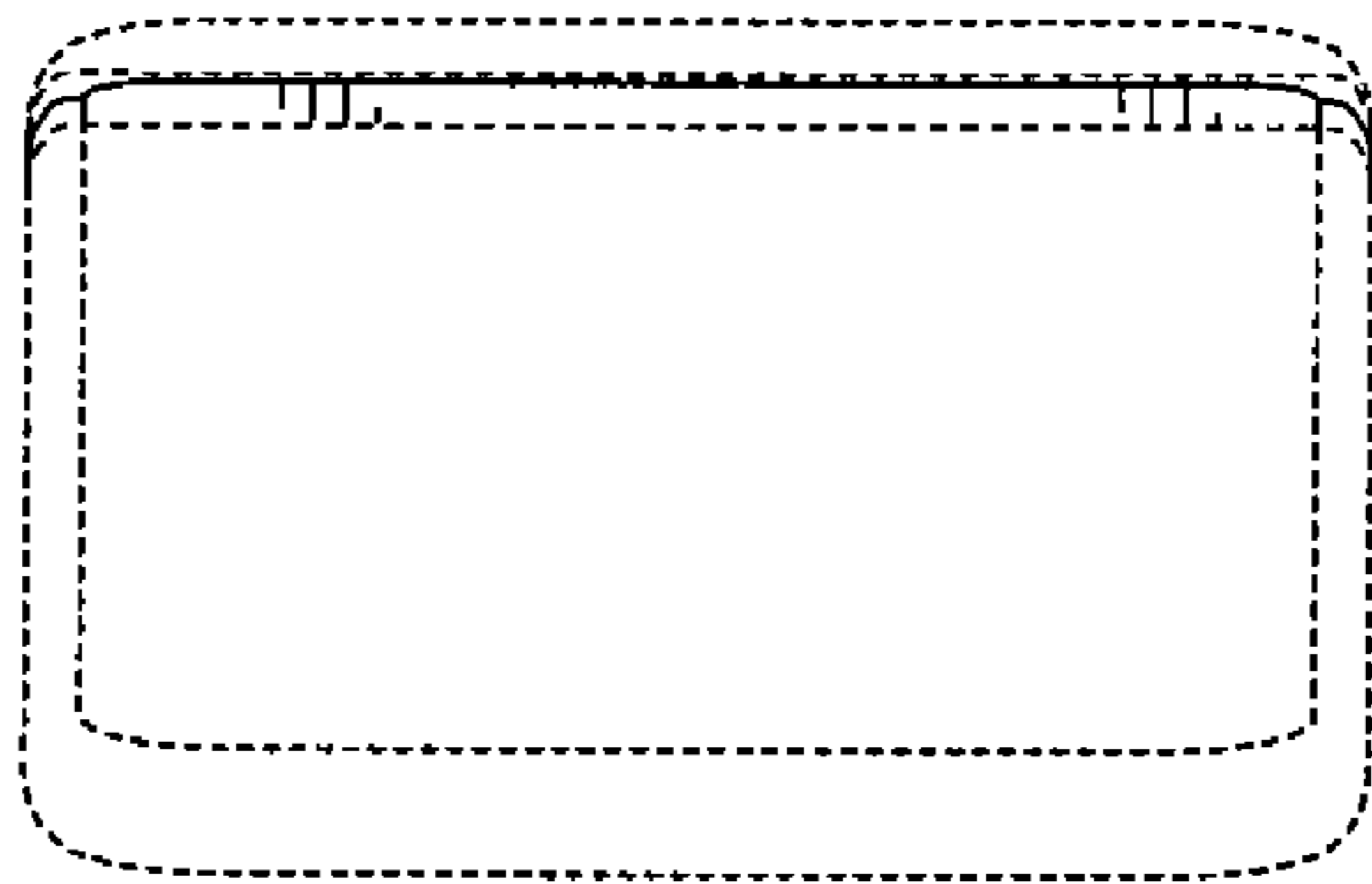
**FIG.3**



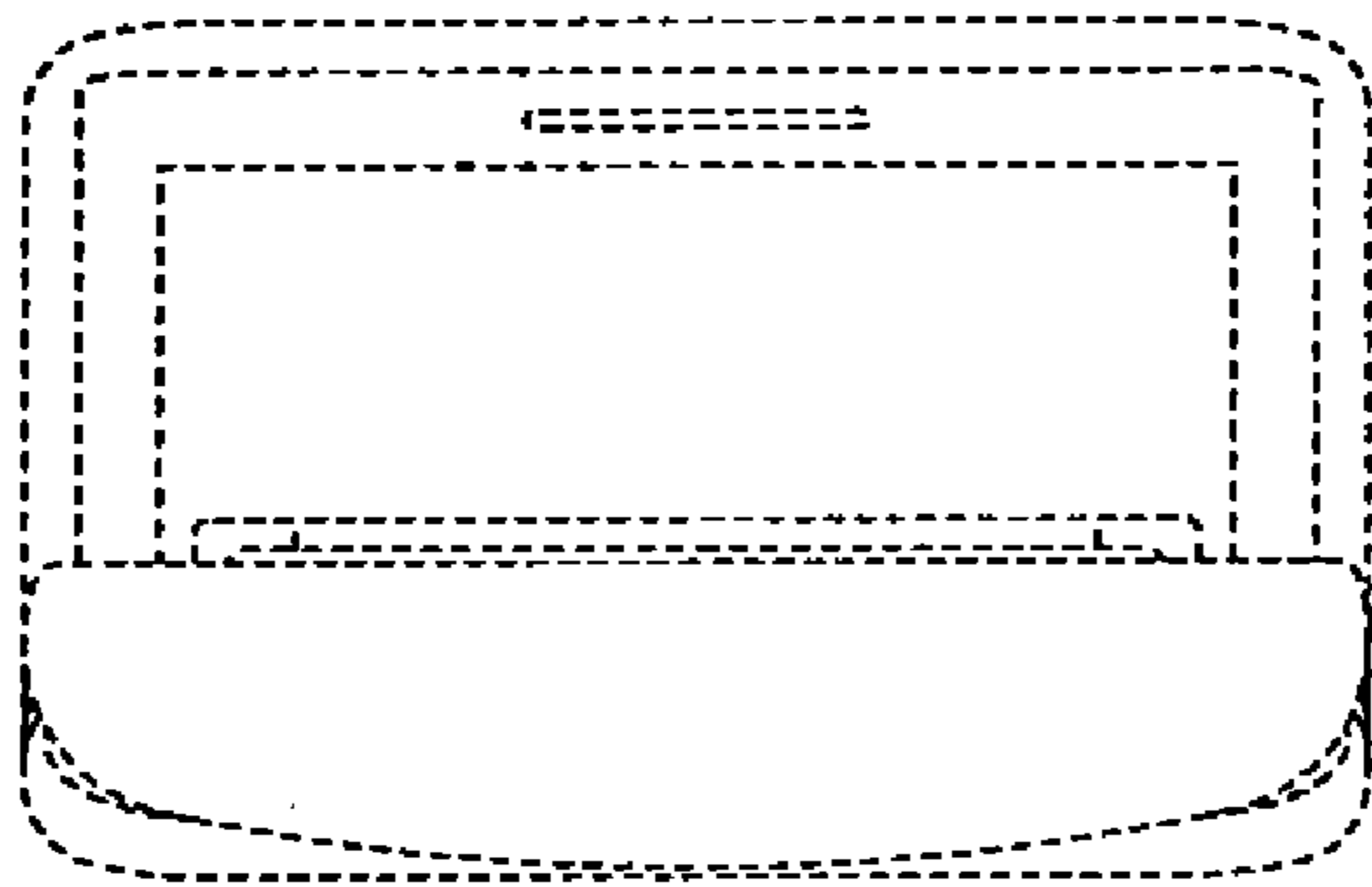
**FIG.4**



**FIG.5**

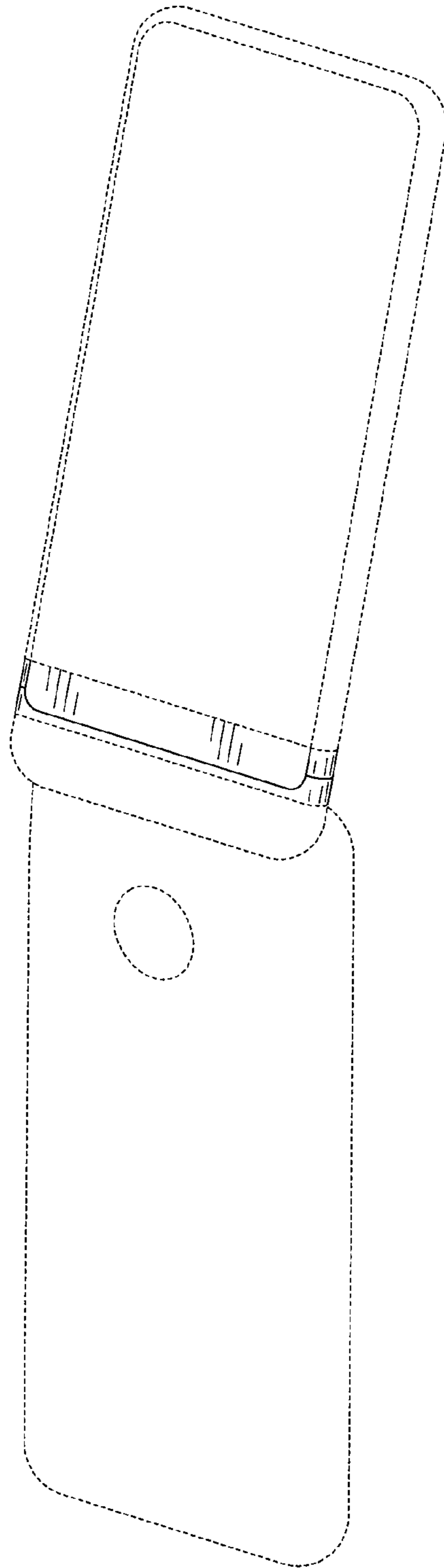


**FIG.6**





**FIG.7**



**FIG.8**

