



US00D618672S

(12) **United States Design Patent**  
**Harbeke et al.**

(10) **Patent No.:** **US D618,672 S**  
(45) **Date of Patent:** **\*\* Jun. 29, 2010**

(54) **EARPHONES**

(75) Inventors: **Christian Harbeke**, Zurich (CH); **Peter Boschung**, Schmittlen (CH); **Mihaela Grigorie**, Muntelier (CH); **Christian Scholz**, Zurich (CH)

(73) Assignee: **Phonak AG**, Stafa (CH)

(\*\*) Term: **14 Years**

(21) Appl. No.: **29/351,232**

(22) Filed: **Dec. 2, 2009**

**Related U.S. Application Data**

(62) Division of application No. 29/343,757, filed on Sep. 18, 2009, which is a division of application No. 29/328,135, filed on Nov. 19, 2008, now Pat. No. Des. 603,679.

(51) **LOC (9) Cl.** ..... **14-01**

(52) **U.S. Cl.** ..... **D14/223**

(58) **Field of Classification Search** ..... D14/205,  
D14/206, 223; 181/130, 131, 135; 379/430,  
379/431; 381/328, 374, 380, 381; 128/864;  
455/575.1, 575.2

See application file for complete search history.

(56) **References Cited**

**U.S. PATENT DOCUMENTS**

3,169,600	A *	2/1965	Thomas	181/135
3,197,577	A	7/1965	Kuklock	
D203,445	S *	1/1966	Bowell	D14/205
4,554,993	A	11/1985	Houng	
4,588,867	A	5/1986	Konomi	
4,602,642	A	7/1986	O'Hara et al.	
4,880,076	A	11/1989	Ahlberg et al.	
4,965,838	A	10/1990	Kamon et al.	
D331,966	S	12/1992	Gardner, Jr.	
D351,392	S	10/1994	Bridges	
D374,874	S	10/1996	Lindeman et al.	
D377,796	S	2/1997	Hayashi	
6,082,485	A	7/2000	Smith	

D463,399	S	9/2002	Konomi
D514,551	S	2/2006	Lee et al.
D516,058	S	2/2006	Garcia
D517,054	S	3/2006	Yang
D519,108	S	4/2006	Yang
7,079,664	B2	7/2006	Nassimi
7,082,206	B2	7/2006	Mahoney et al.
D533,865	S	12/2006	Wittenbrock et al.
7,212,646	B2	5/2007	Nassimi
D550,200	S	9/2007	Drambarean et al.
D550,201	S	9/2007	Drambarean et al.
D550,657	S	9/2007	Gan et al.

(Continued)

*Primary Examiner*—Paula Greene

(74) *Attorney, Agent, or Firm*—Rankin, Hill & Clark LLP

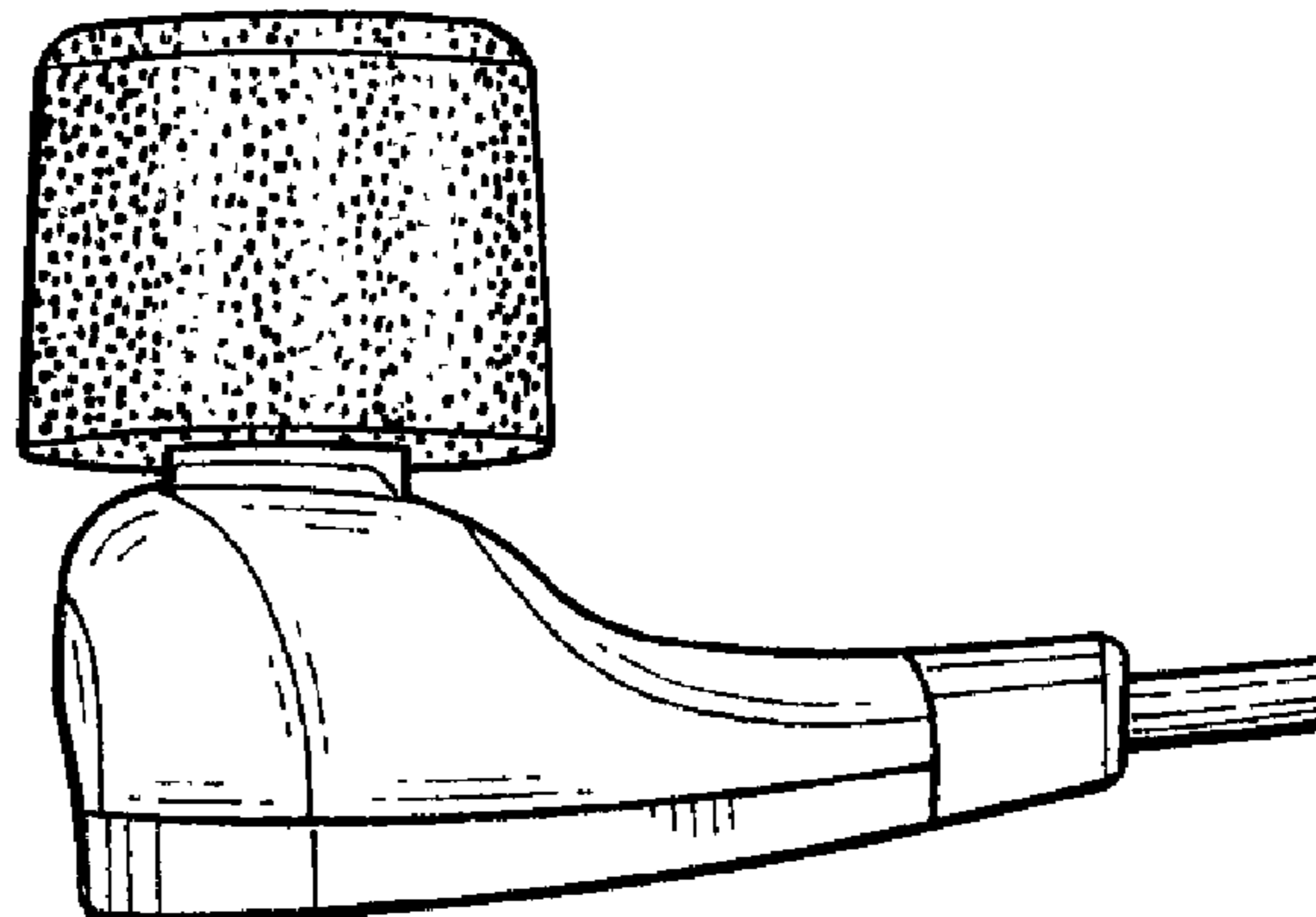
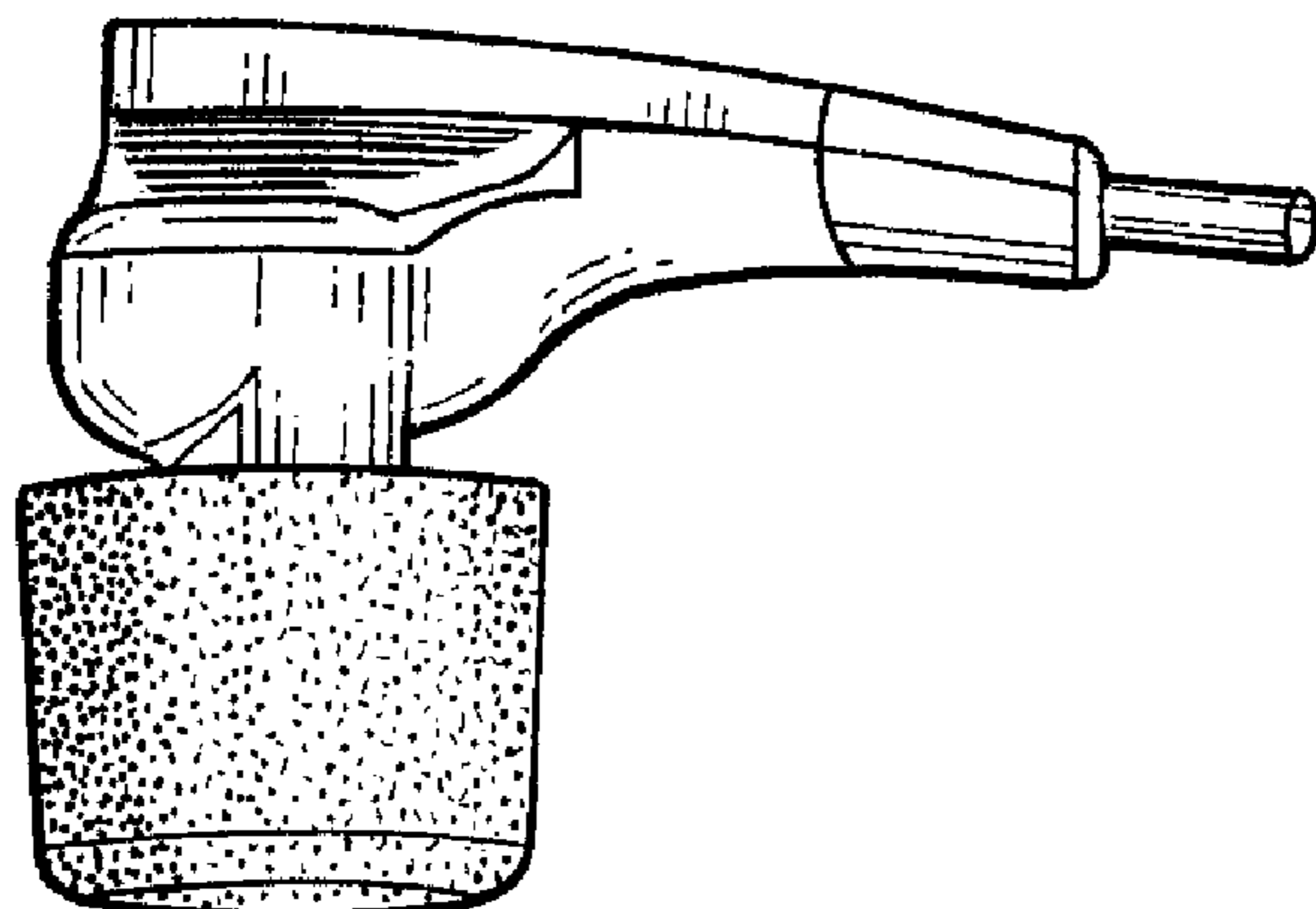
(57) **CLAIM**

The ornamental design for earphones, as shown and described.

**DESCRIPTION**

FIG. 1 is a top view of earphones showing our new design;  
 FIG. 2 is a left side elevational view of the earphone shown in FIG. 1;  
 FIG. 3 is a rear view of the earphone shown in FIG. 1;  
 FIG. 4 is a right side elevational view of the earphone shown in FIG. 1;  
 FIG. 5 is a bottom view of the earphone shown in FIG. 1;  
 FIG. 6 is a front view of the earphone shown in FIG. 1;  
 FIG. 7 is a first perspective view of the earphone shown in FIG. 1; and,  
 FIG. 8 is a second perspective view of the earphone shown in FIG. 1.

**1 Claim, 1 Drawing Sheet**



# US D618,672 S

Page 2

---

## U.S. PATENT DOCUMENTS

D559,836 S	1/2008	Lee	D579,006 S	10/2008	Kim et al.
7,349,550 B2	3/2008	Oliveira et al.	D579,923 S	11/2008	Andre et al.
D572,703 S	7/2008	Ledbetter et al.	D581,396 S	11/2008	Wikel et al.
D573,978 S	7/2008	Ledbetter et al.	D582,897 S	12/2008	Christopher et al.
D574,361 S	8/2008	Sasaki	7,600,604 B2	10/2009	Babcock et al.
D575,277 S	8/2008	Gaarde et al.	D603,379 S *	11/2009	Harbeke et al. .... D14/223

\* cited by examiner

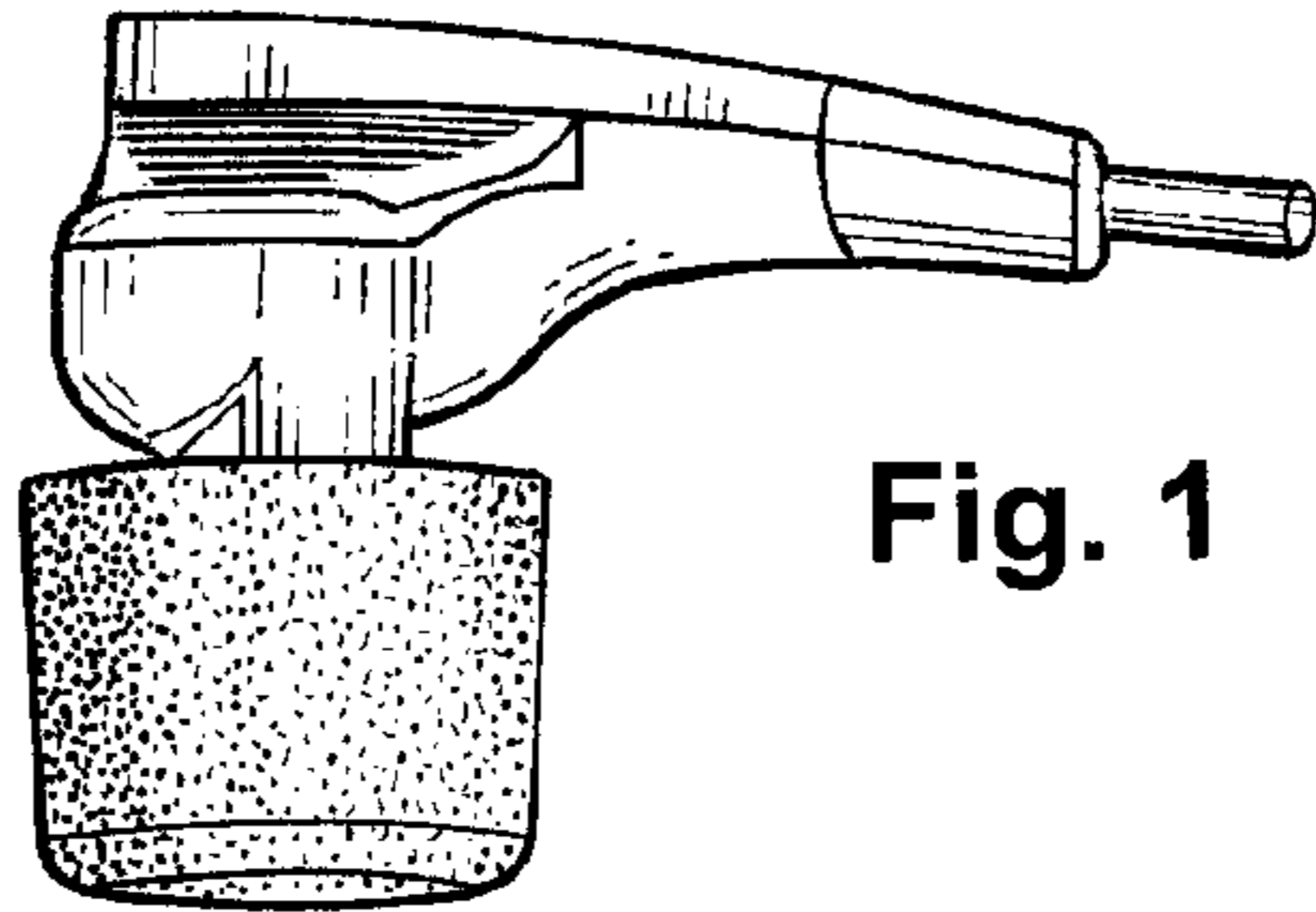


Fig. 1

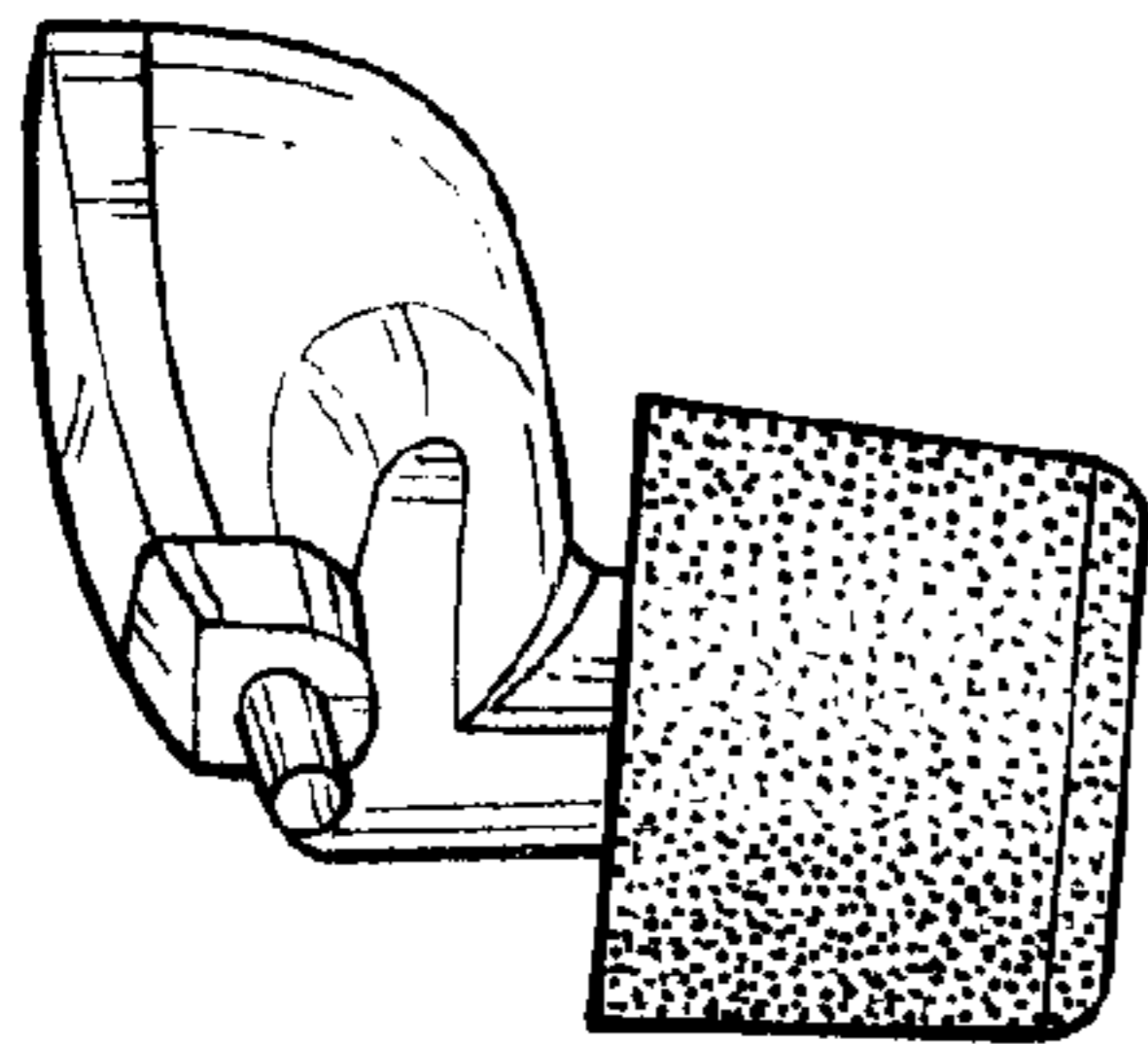


Fig. 2

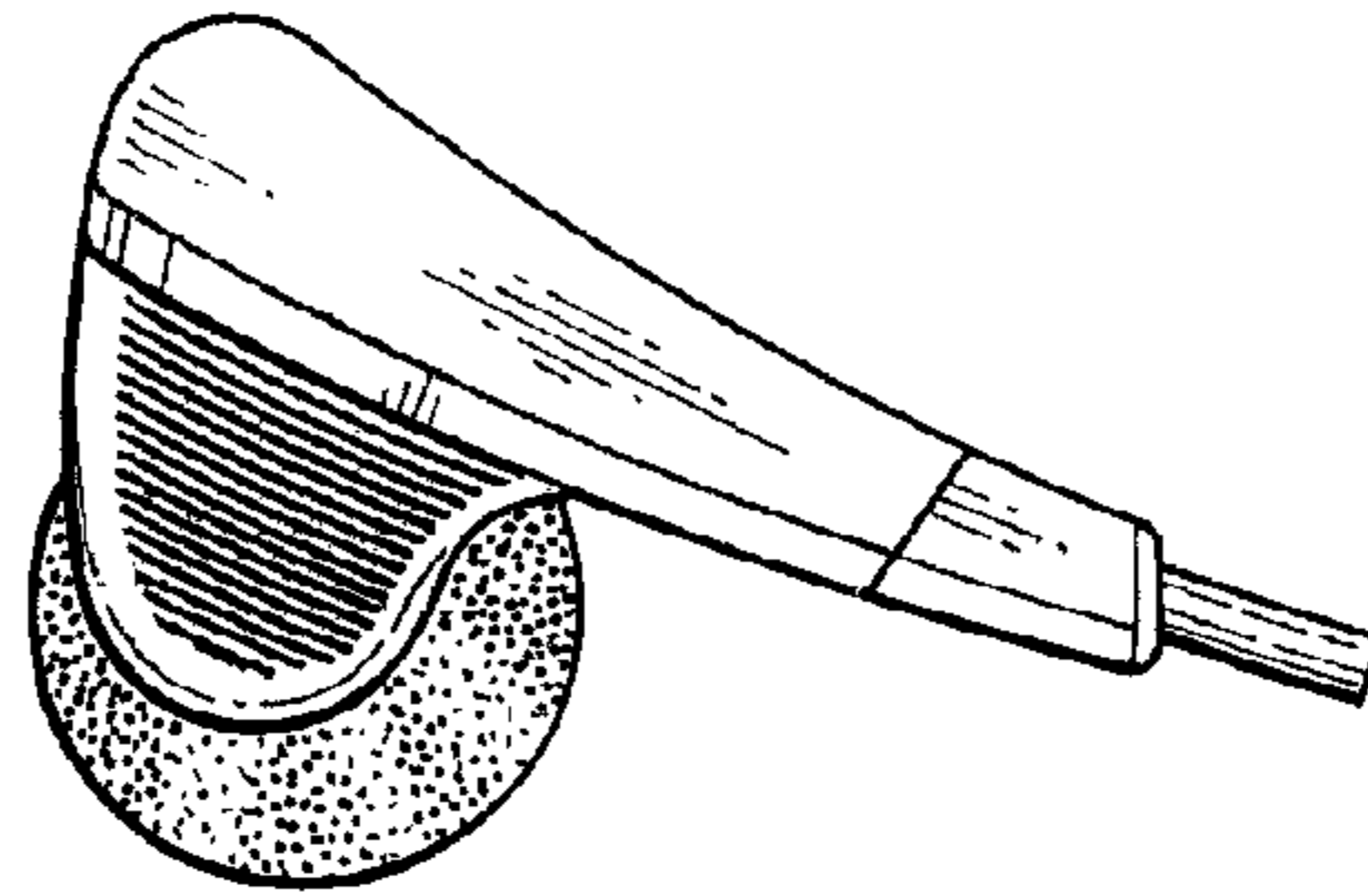


Fig. 3

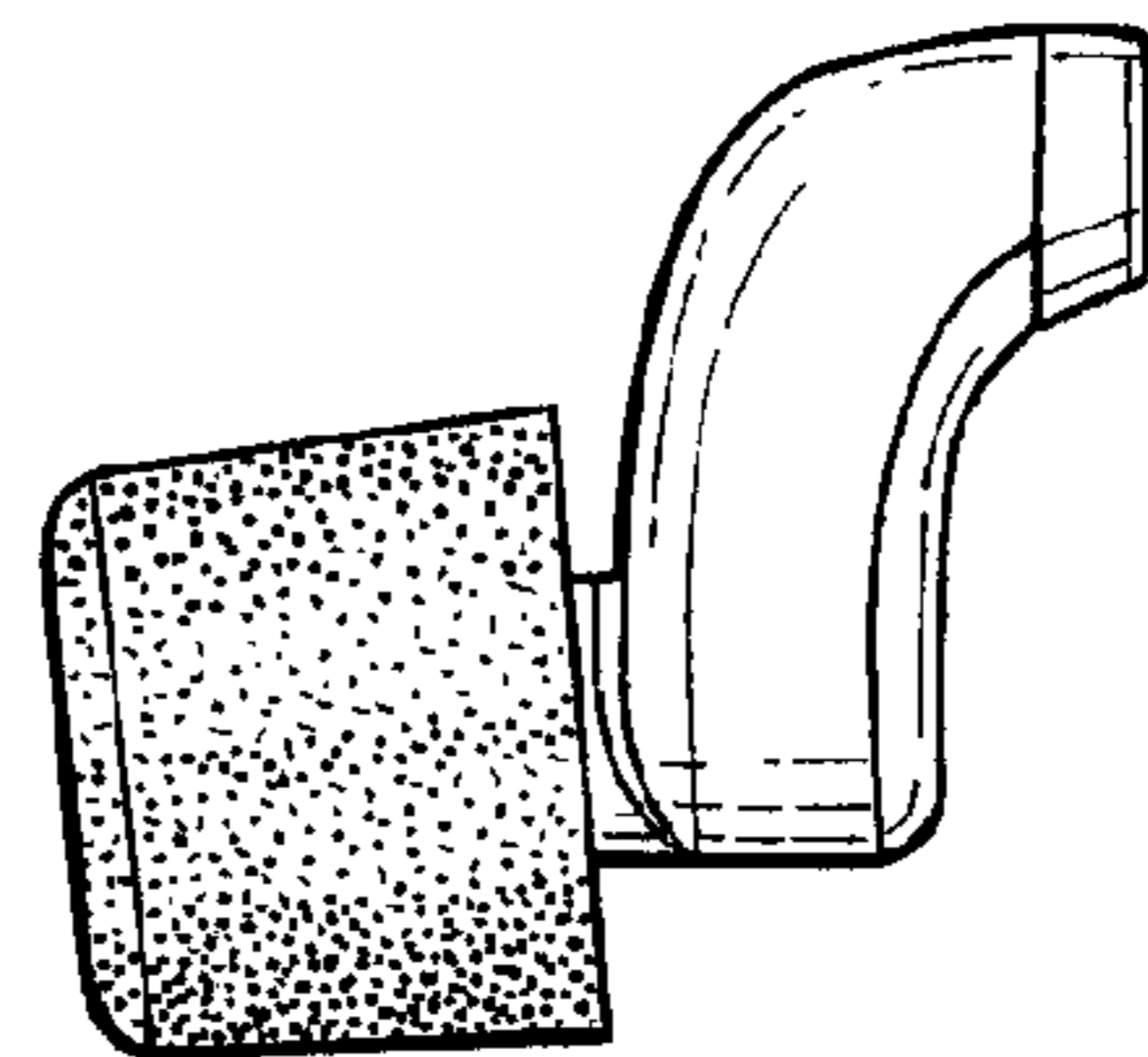


Fig. 4

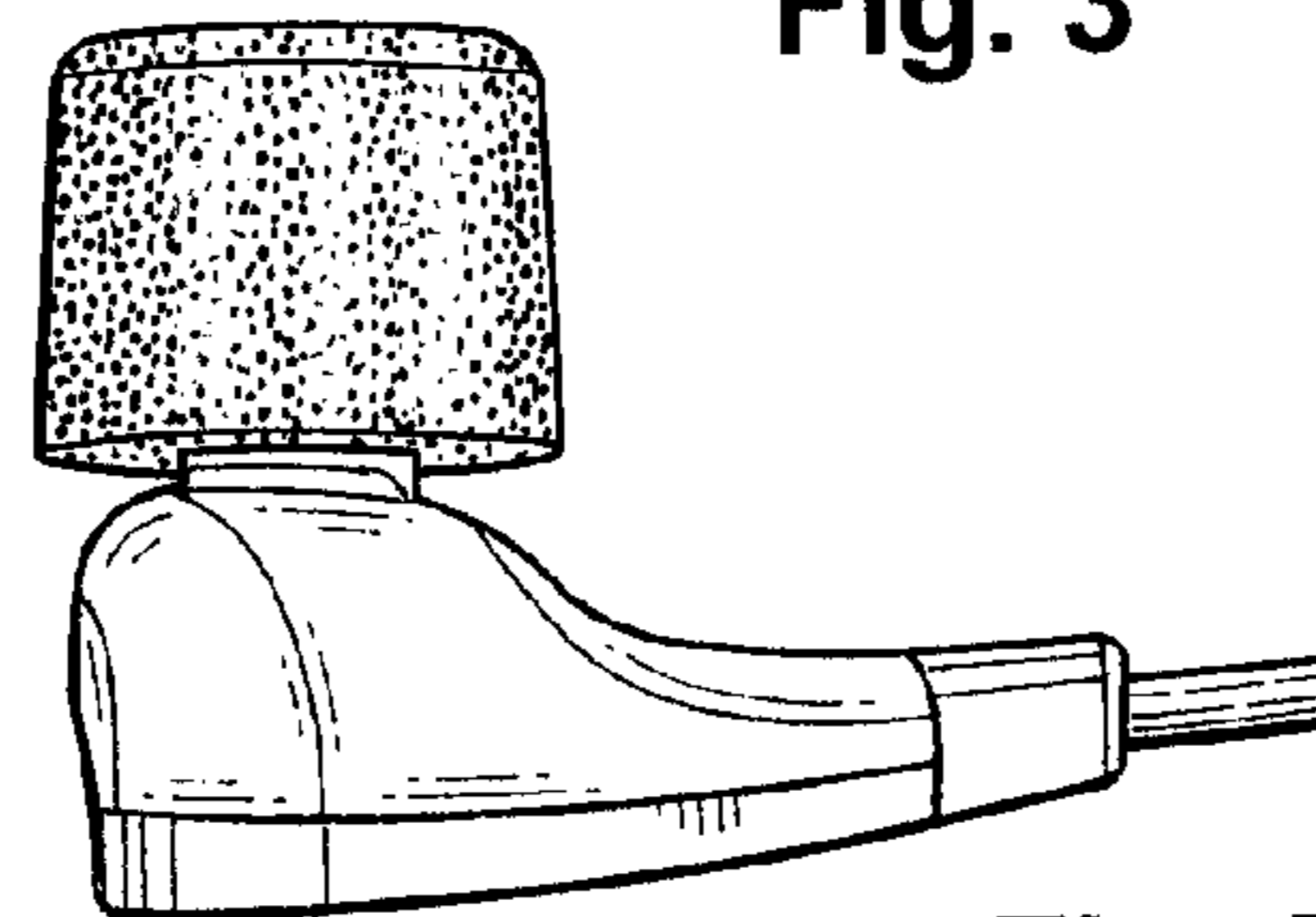


Fig. 5

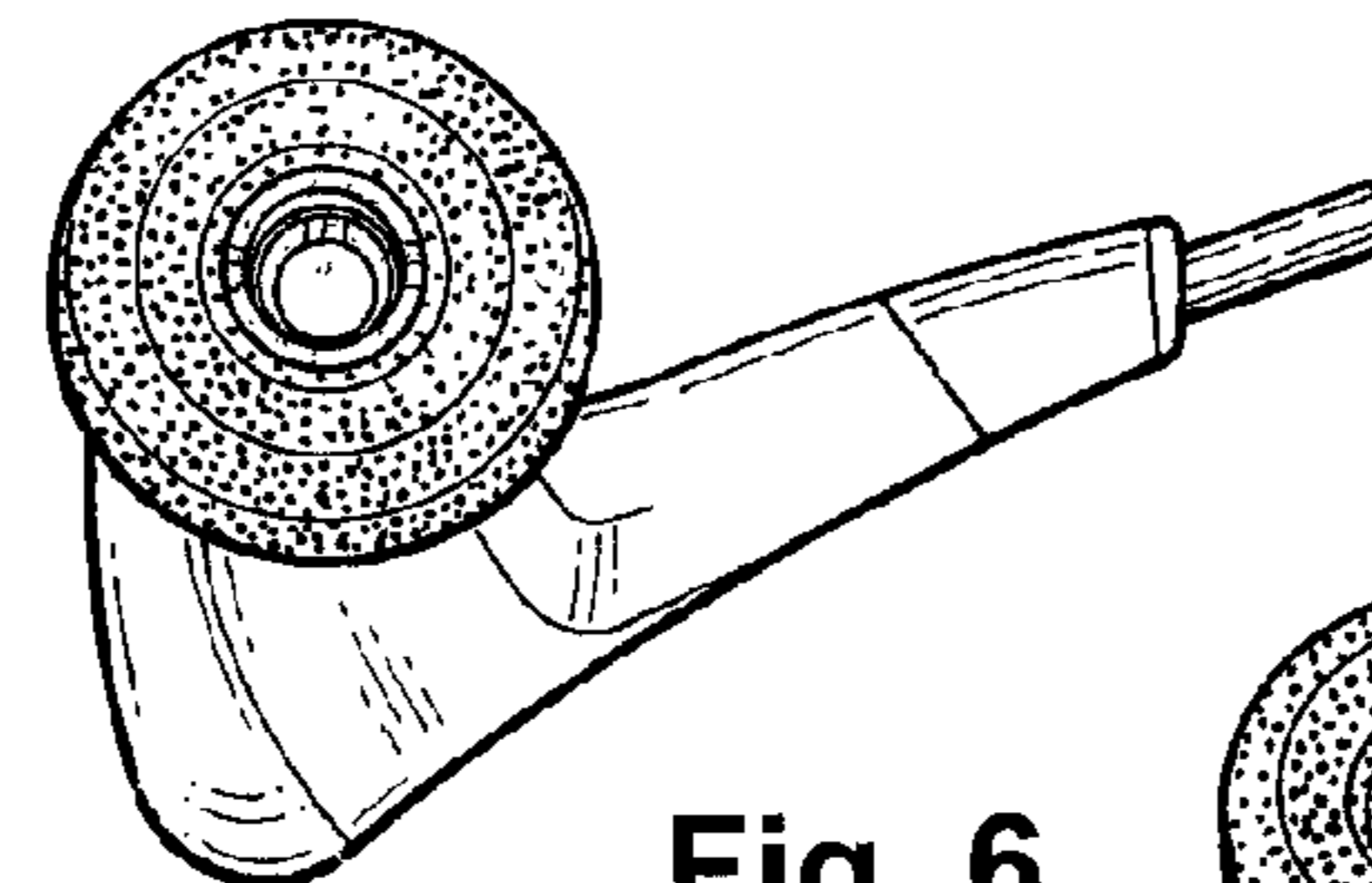


Fig. 6

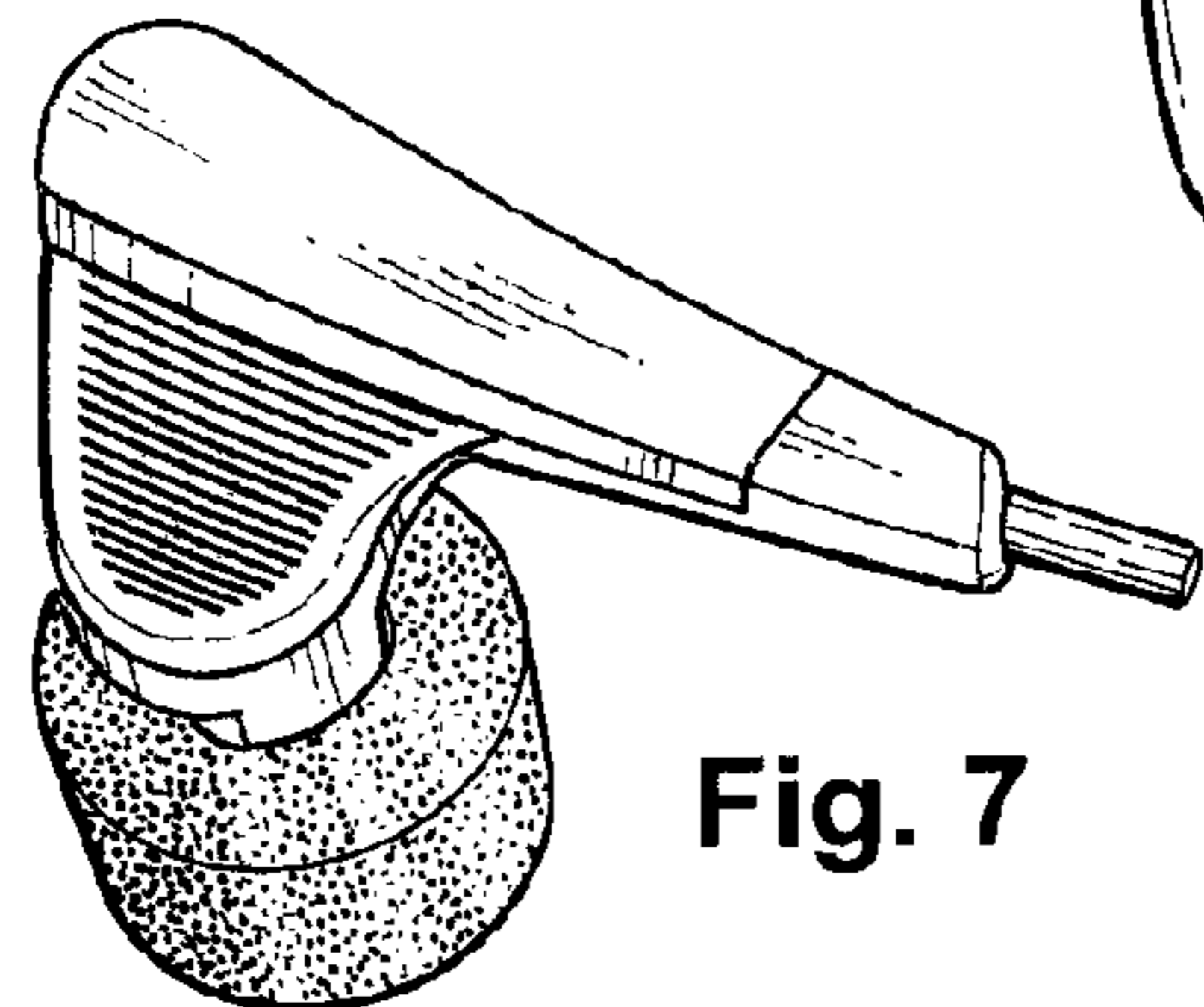


Fig. 7

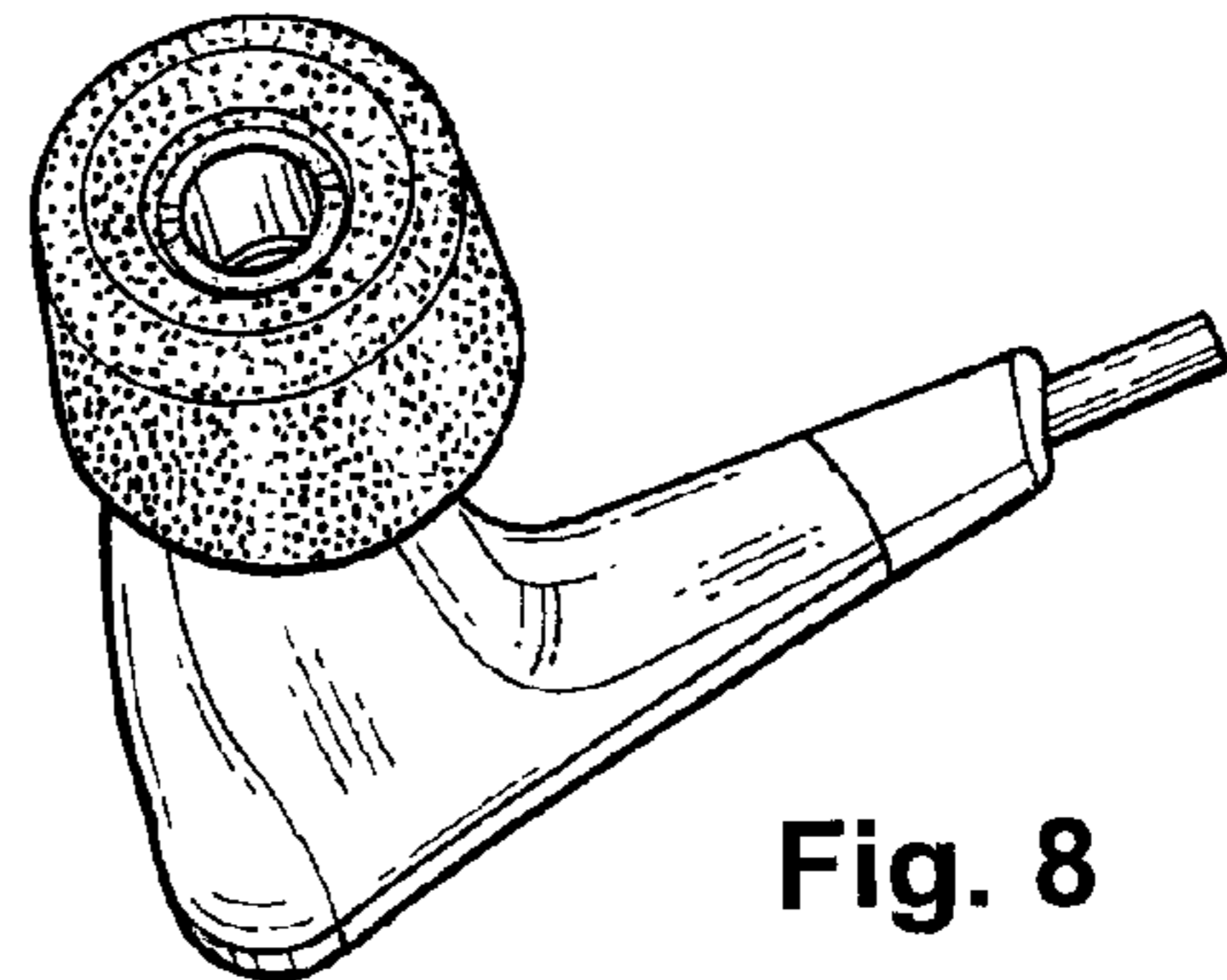


Fig. 8