



US00D618671S

(12) **United States Design Patent**
Hou

(10) **Patent No.:** **US D618,671 S**
(45) **Date of Patent:** **** Jun. 29, 2010**

(54) **BLUETOOTH HEADSET CLIP**

(75) Inventor: **Hsiang-Fei Hou**, Tu-Cheng (TW)

(73) Assignee: **Cheng Uei Precision Industry Co., Ltd.**, Tu-Cheng, Taipei Hsien (TW)

(**) Term: **14 Years**

(21) Appl. No.: **29/341,319**

(22) Filed: **Aug. 4, 2009**

(51) **LOC (9) Cl.** **14-01**

(52) **U.S. Cl.** **D14/223; D14/217**

(58) **Field of Classification Search** D14/205,
D14/206, 223, 238.1, 251, 217, 253, 229;
D8/373, 395; 24/3.11, 3.12; D26/138; D3/218;
455/575.6; 224/269, 247; D9/434, 722;
D19/34, 65, 84; D32/64; D6/547
See application file for complete search history.

(56) **References Cited**

U.S. PATENT DOCUMENTS

812,800 A * 2/1906 McLean 24/564
D49,616 S * 9/1916 McKee D19/99
1,867,622 A * 7/1932 Freeman 40/661.04
3,309,052 A * 3/1967 Borisof 248/205.3
4,096,655 A * 6/1978 Ullman, Jr. 40/666
4,277,863 A * 7/1981 Faneuf 24/3.12

D315,675 S * 3/1991 Kennedy et al. D8/395
D319,575 S * 9/1991 Young D8/395
5,613,236 A * 3/1997 Tajima et al. 455/351
6,149,043 A * 11/2000 Goto 224/669
D489,410 S * 5/2004 Ivey D19/65
D572,128 S * 7/2008 Poulsen et al. D8/395
D598,910 S * 8/2009 Bradford et al. D14/251

* cited by examiner

Primary Examiner—Paula Greene

(74) *Attorney, Agent, or Firm*—Cheng-Ju Chiang

(57) **CLAIM**

The ornamental design for bluetooth headset clip, as shown and described.

DESCRIPTION

FIG. 1 is a perspective view of bluetooth headset clip showing my new design;

FIG. 2 is a front elevational view thereof;

FIG. 3 is a rear elevational view thereof;

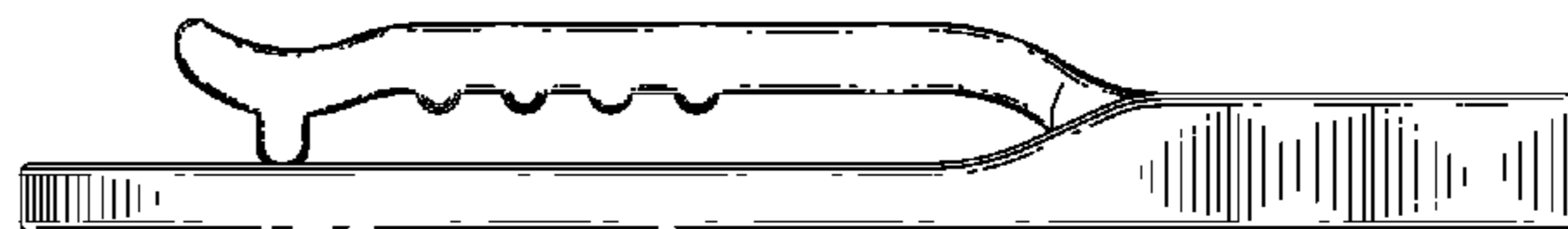
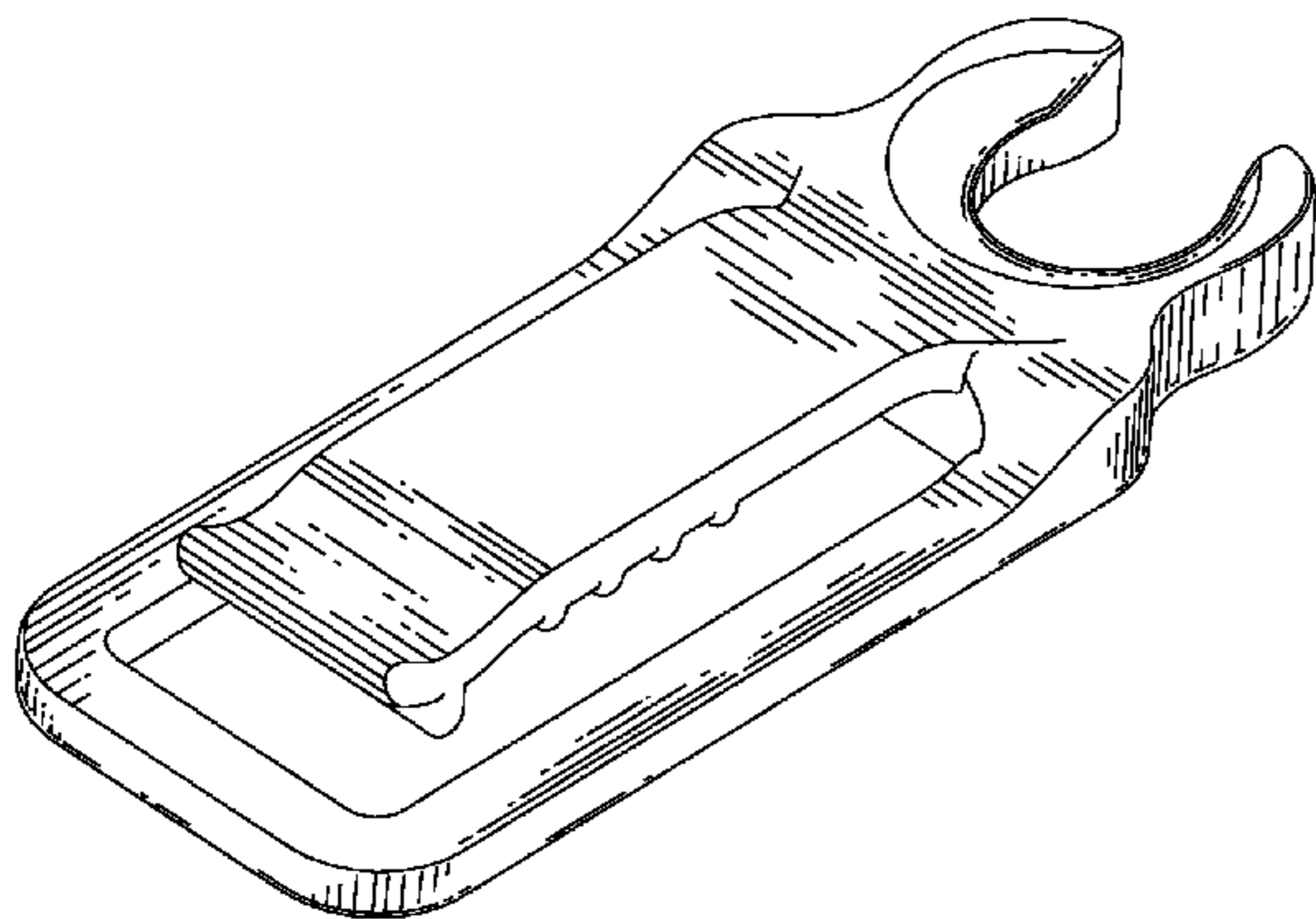
FIG. 4 is a left side elevational view thereof;

FIG. 5 is a right side elevational view thereof;

FIG. 6 is a top plan view thereof; and,

FIG. 7 is a bottom plan view thereof.

1 Claim, 7 Drawing Sheets



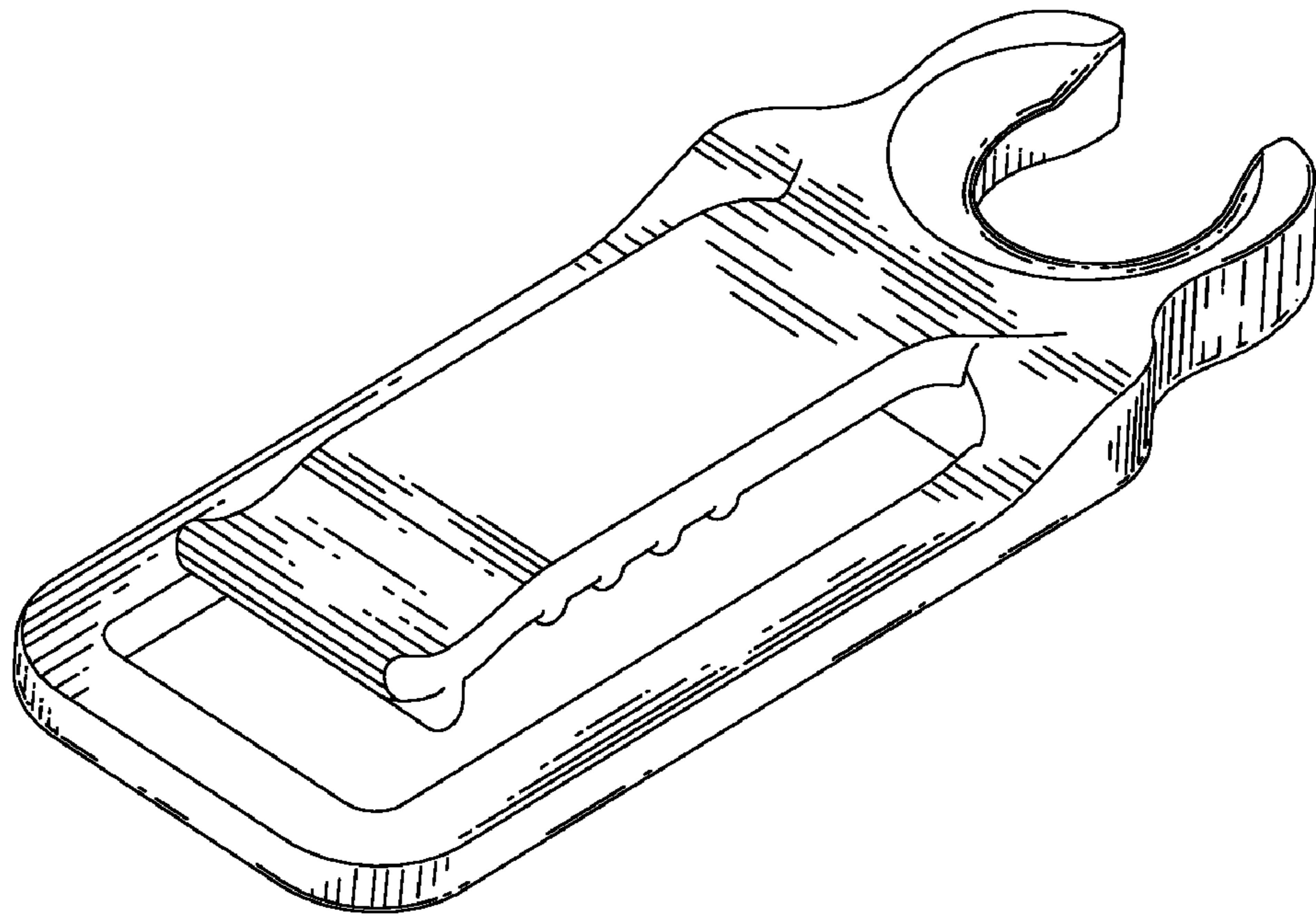


FIG. 1

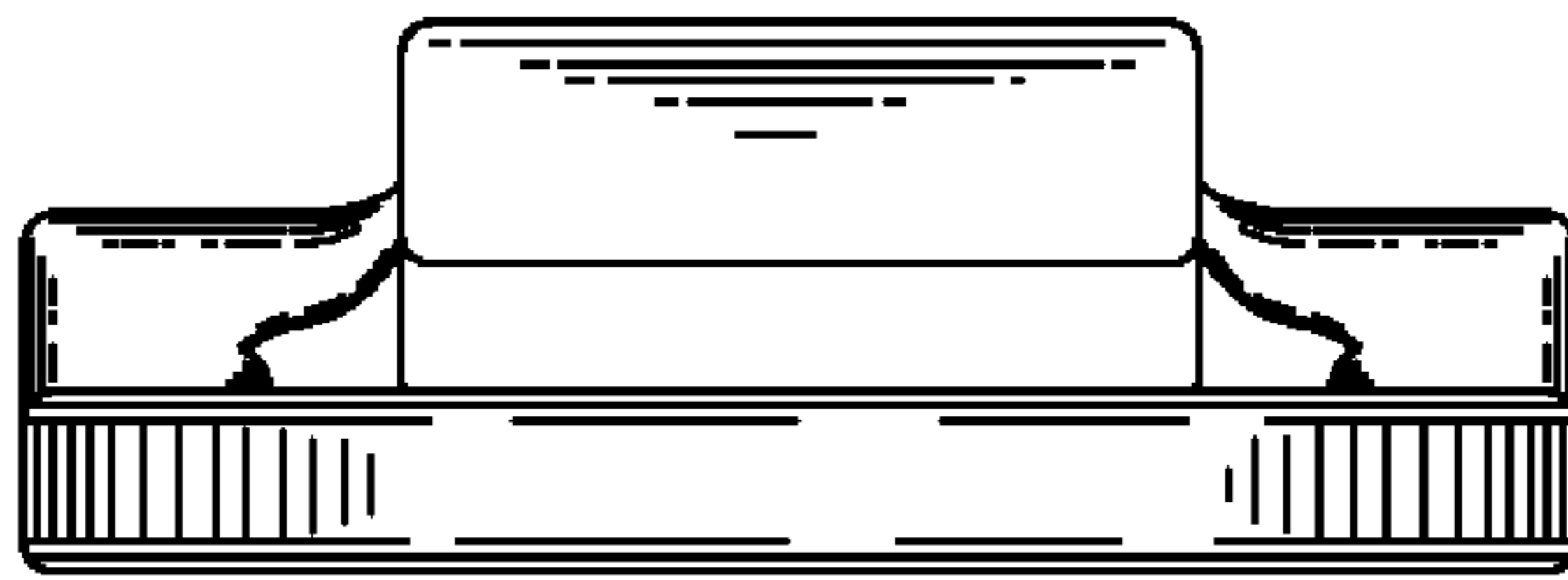


FIG. 2



FIG. 3

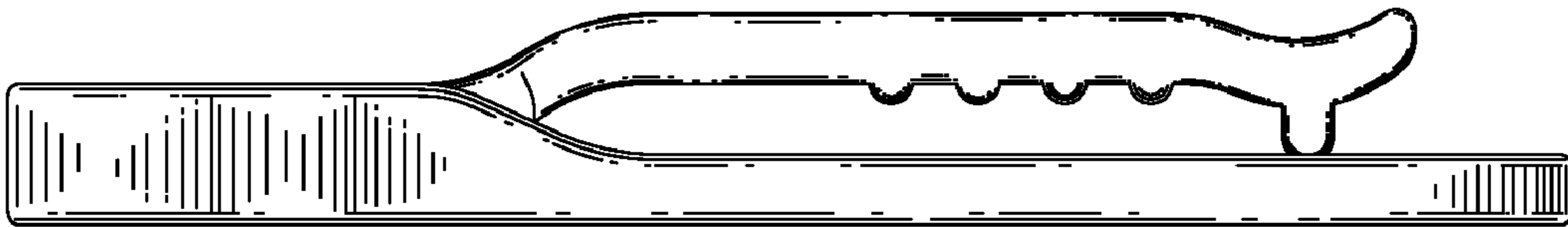


FIG. 4

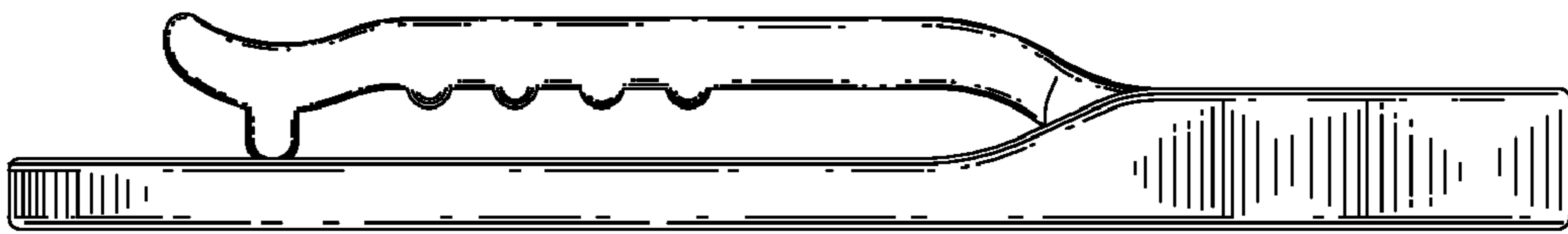


FIG. 5

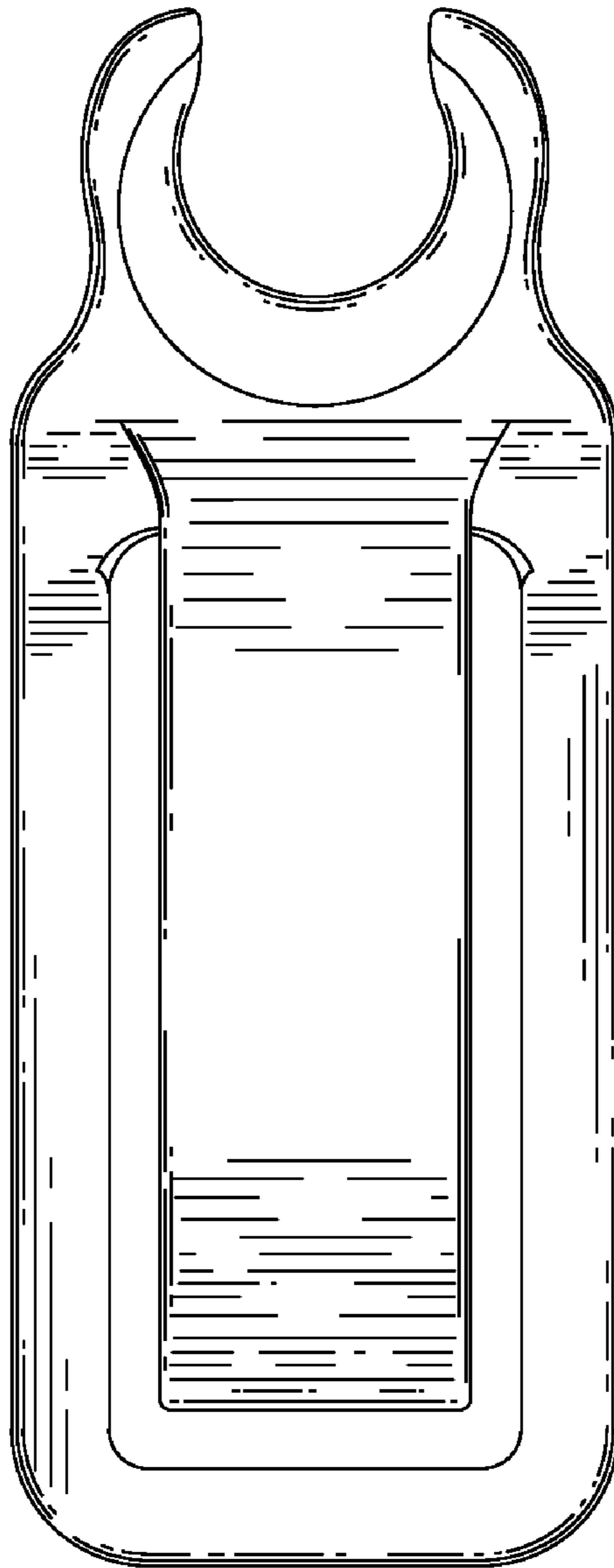


FIG. 6

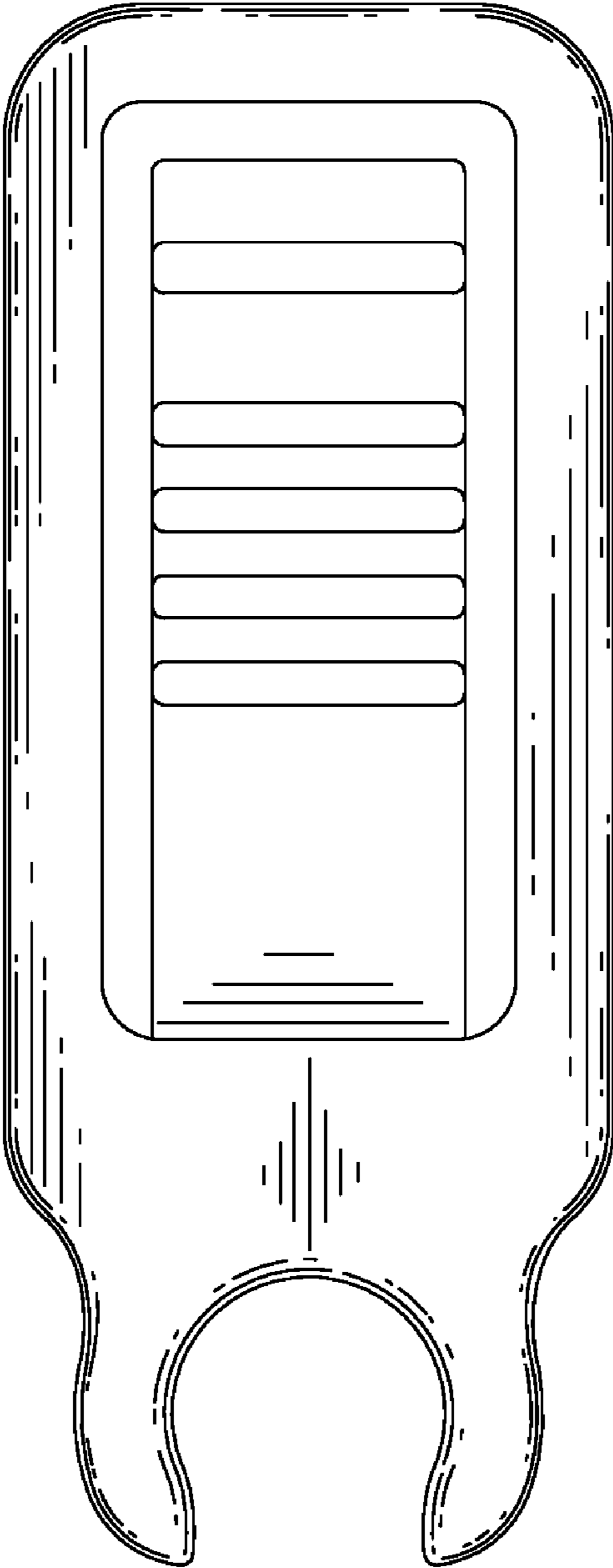


FIG. 7