



US00D618669S

(12) **United States Design Patent**  
**Johnson et al.**

(10) **Patent No.:** **US D618,669 S**  
(45) **Date of Patent:** **\*\* Jun. 29, 2010**

(54) **EARPHONE**

(75) Inventors: **Mandy Johnson**, Milwaukee, WI (US);  
**Michael J. Pelland**, Princeton, WI (US);  
**Ronaldo J. Santiago**, South Elgin, IL  
(US); **Michael J. Koss**, Milwaukee, WI  
(US)

(73) Assignee: **Koss Corporation**, Milwaukee, WI (US)

(\*\*) Term: **14 Years**

(21) Appl. No.: **29/334,942**

(22) Filed: **Apr. 6, 2009**

(51) **LOC (9) Cl.** ..... **14-01**

(52) **U.S. Cl.** ..... **D14/223**

(58) **Field of Classification Search** ..... D14/205,  
D14/206, 223, 192; 181/129, 130, 135; 379/430,  
379/433.01, 433.02, 433.03, 433.04; 381/370,  
381/374, 384, 385, 378; 455/575.1, 575.2,  
455/90.1; D24/174

See application file for complete search history.

(56) **References Cited**

**U.S. PATENT DOCUMENTS**

2,337,953	A *	12/1943	Wirsching	.....	381/378
D233,444	S *	10/1974	Christian	.....	D14/206
4,418,248	A	11/1983	Mathis		
D272,904	S *	3/1984	Kawano	.....	D14/205
4,453,050	A *	6/1984	Enokido	.....	381/381
4,668,842	A *	5/1987	Yokoyama et al.	.....	381/380
D293,107	S *	12/1987	Muller	.....	D14/205
5,147,986	A	9/1992	Cockrum et al.		
5,210,792	A	5/1993	Kajihara		
5,333,206	A	7/1994	Koss		
5,410,608	A *	4/1995	Lucey et al.	.....	381/360
D371,133	S *	6/1996	Andrea	.....	D14/206
D375,959	S *	11/1996	Davis et al.	.....	D14/223
5,655,026	A *	8/1997	Peters et al.	.....	381/385
D383,757	S *	9/1997	Dobrusskin et al.	.....	D14/223
D385,272	S *	10/1997	Jensen et al.	.....	D14/142
5,729,615	A	3/1998	Yang		
5,790,683	A	8/1998	Salzani		

D411,540	S *	6/1999	Mavrakis et al.	.....	D14/223
D421,755	S *	3/2000	Pitel	.....	D14/240
6,097,827	A	8/2000	Yang		
D431,235	S	9/2000	Lyman et al.		
D460,749	S *	7/2002	Liu	.....	D14/206
6,427,018	B1 *	7/2002	Keliiliki	.....	381/381
6,868,164	B2 *	3/2005	Ito et al.	.....	381/370
6,914,997	B2	7/2005	MacDonald et al.		
7,123,737	B2	10/2006	Ham		
7,231,056	B2	6/2007	Chen		
7,245,737	B2	7/2007	Amae et al.		
D556,735	S *	12/2007	Yeo	.....	D14/206
D584,293	S *	1/2009	Kim et al.	.....	D14/223
D601,126	S *	9/2009	Christopher et al.	.....	D14/206
2008/0080704	A1	4/2008	te Riet		

**OTHER PUBLICATIONS**

International Search Report and Written Opinion for PCT/US2009/044340, Jul. 7, 2009 (12 pages).

(Continued)

*Primary Examiner*—Paula Greene  
(74) *Attorney, Agent, or Firm*—K&L Gates LLP

(57) **CLAIM**

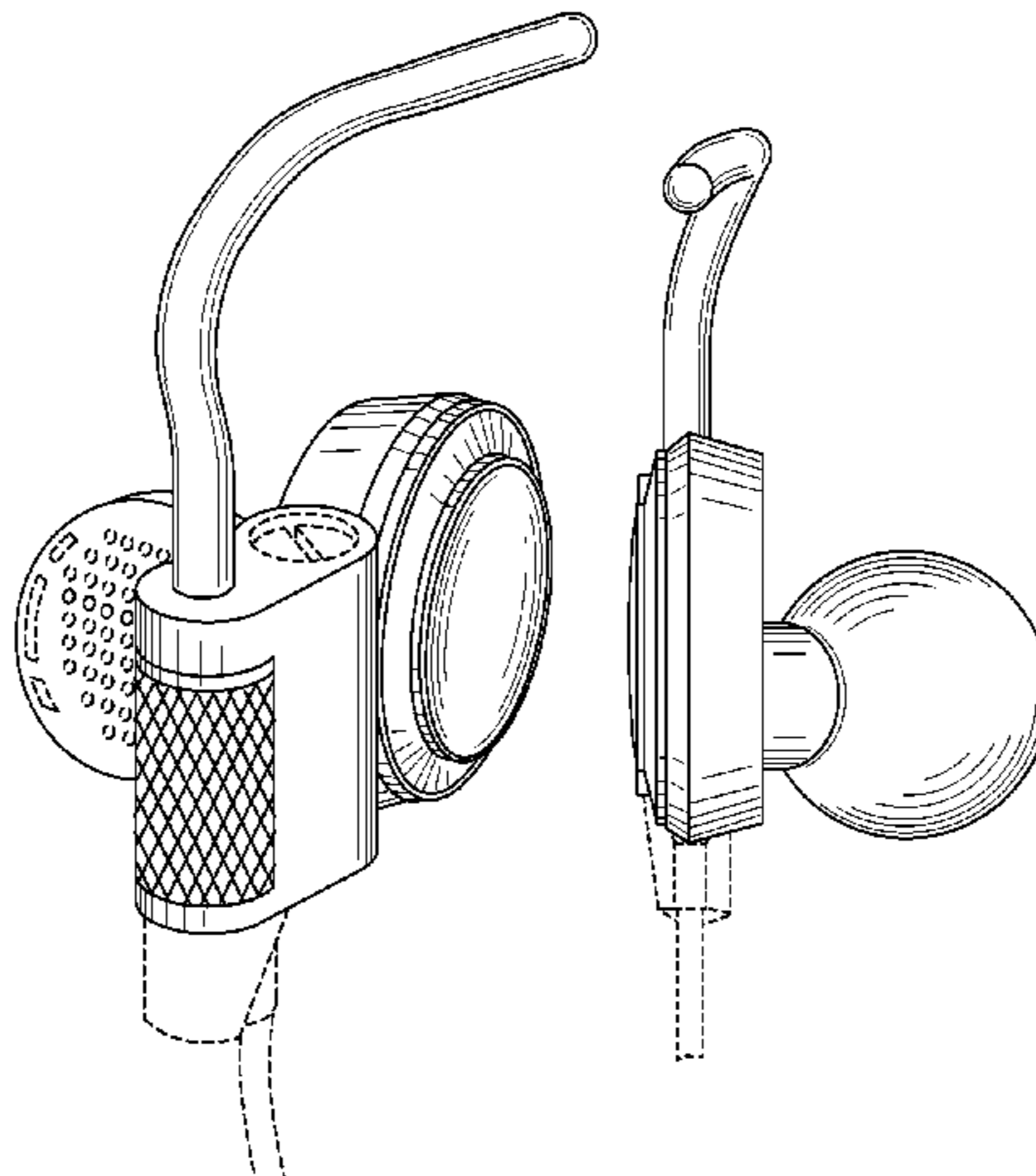
The ornamental design for an earphone, as shown and described.

**DESCRIPTION**

FIG. 1 is a right perspective view of an earphone showing our new design;  
FIG. 2 is a right side view thereof;  
FIG. 3 is a left side view thereof;  
FIG. 4 is a front view thereof;  
FIG. 5 is a rear view thereof;  
FIG. 6 is a top view thereof; and,  
FIG. 7 is a bottom view thereof.

The broken line portions in the drawings are for illustrative purposes and do not form a part of the claimed design.

**1 Claim, 5 Drawing Sheets**



OTHER PUBLICATIONS

Amazon.com: Earphones: Electronics, printed from <http://www.amazon.com/Bang-Olufsen-1640611-Earphones/dp/B0...> on Apr. 21, 2009, 2 pages.

Amazon.com: Earphones: Electronics, printed from <http://www.amazon.com/Bang-Olufsen-1640611-Earphones/dp/B000Q...> on Apr. 21, 2009, 7 pages.

Amazon.com: Koss KDE250 Dual Element Stereophone (Black/Silver): E . . . , printed from <http://www.amazon.com/Koss-KDE250-Element-Stereophone-Silver/dp...> on May 8, 2009, 4 pages.

Amazon.com: Koss CC\_01 Isolation Earbud Stereophone (Red/Gray): Ev., printed from [http://www.amazon.com/Koss-CC\\_01-Isolation-Earbud-Stereophone/dp...](http://www.amazon.com/Koss-CC_01-Isolation-Earbud-Stereophone/dp...) On May 8, 2009, 4 pages.

Amazon.com: Koss KDE250 Dual Element Stereophone (Black/Silver): E., printed from <http://www.amazon.com/Koss-KDE250-Element-Stereophone-Silver/dp...> on Jul. 2, 2009, 5 pages.

Byte-sized: Headphones aren't just white earbuds, printed from <http://byte-sized.blogspot.com/2009/01/headphones-arent-just-white-earb...> on Jul. 2, 2009, 2 pages.

Koss KDE 250 Earphones at CES., printed from <http://www.gadgetsnews.co.uk/post/2009/01/12/Koss-KDE-250-Earphon...> on Jul. 2, 2009, 2 pages.

\* cited by examiner

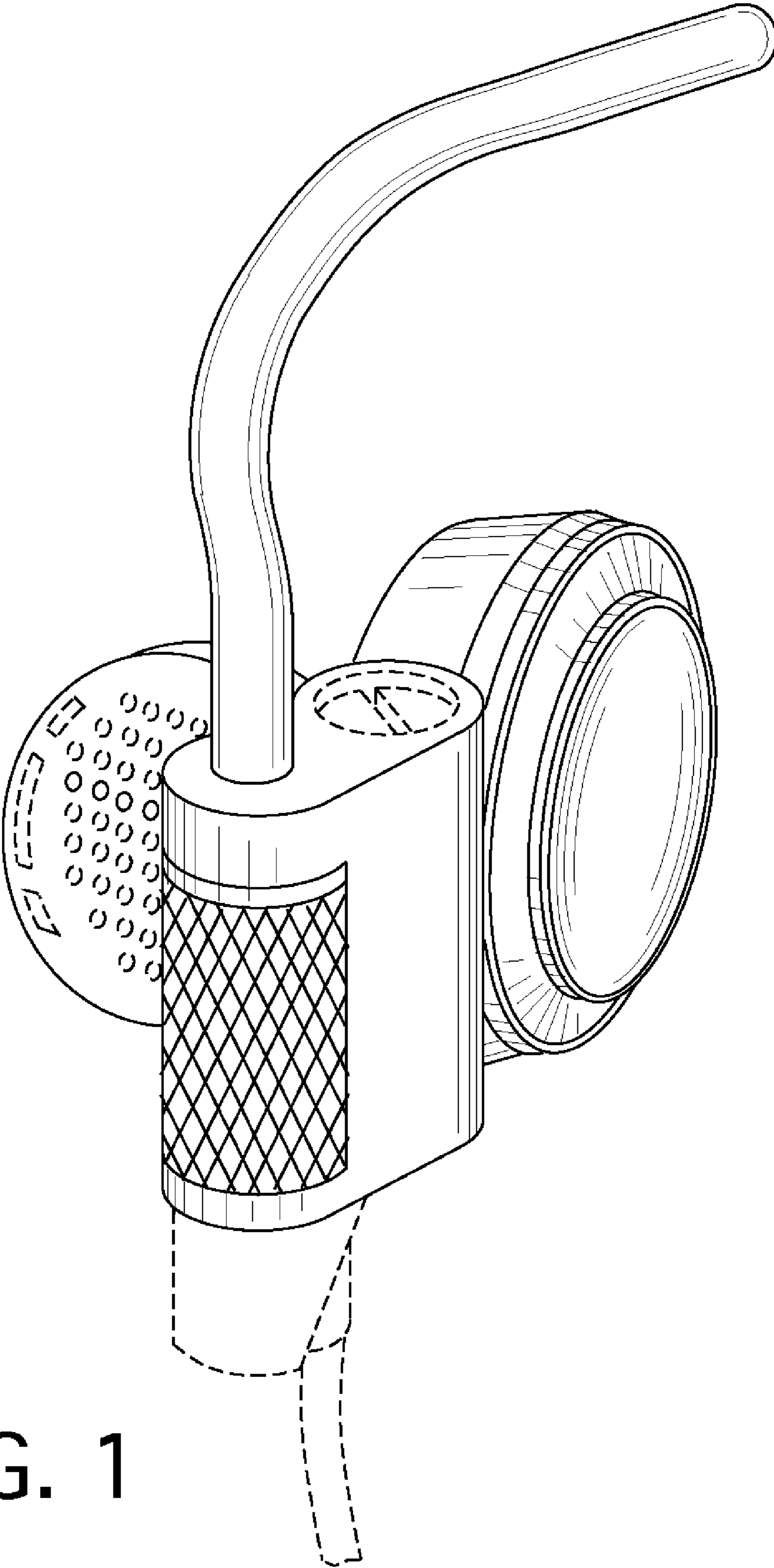


FIG. 1

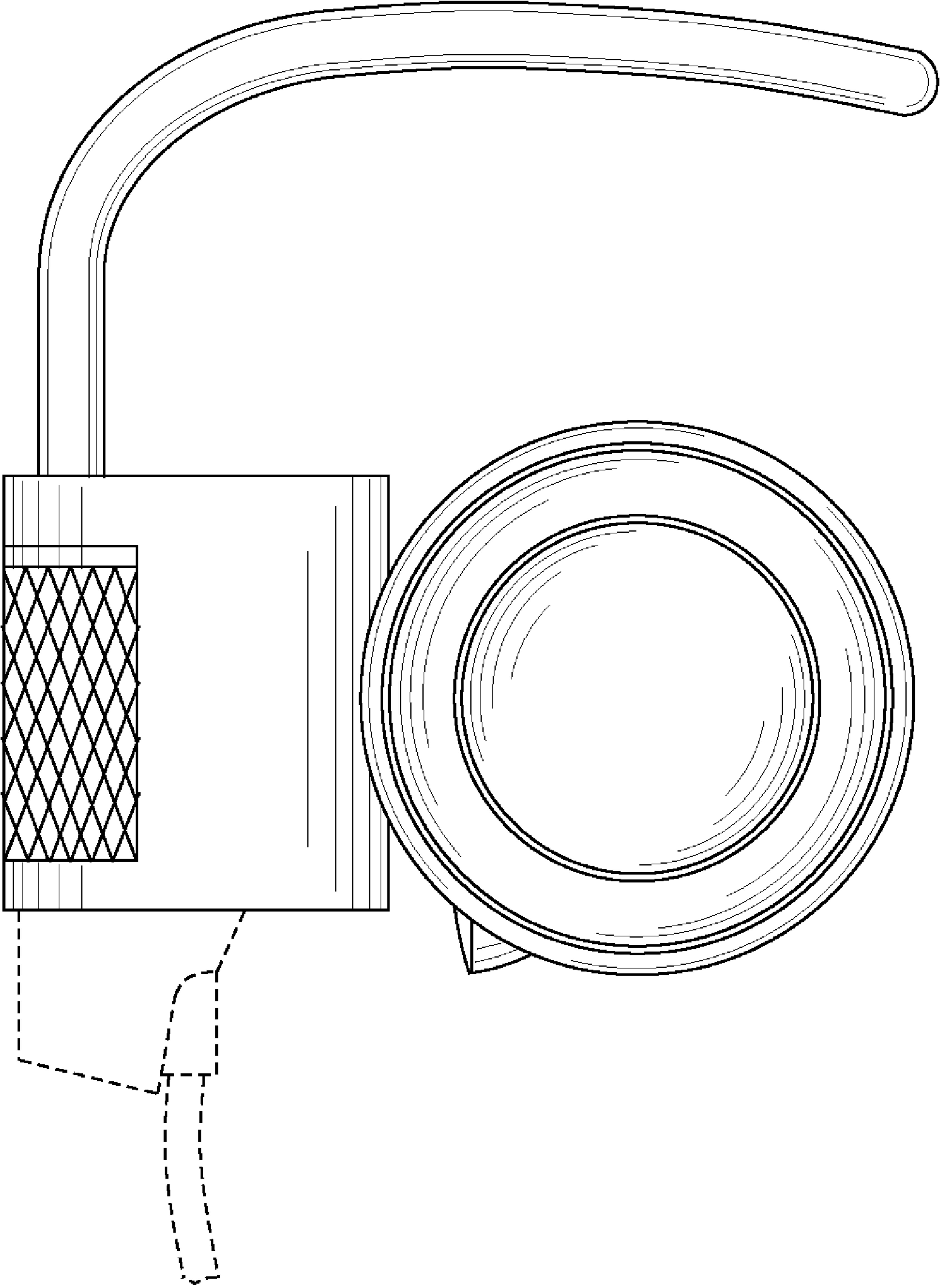


FIG. 2

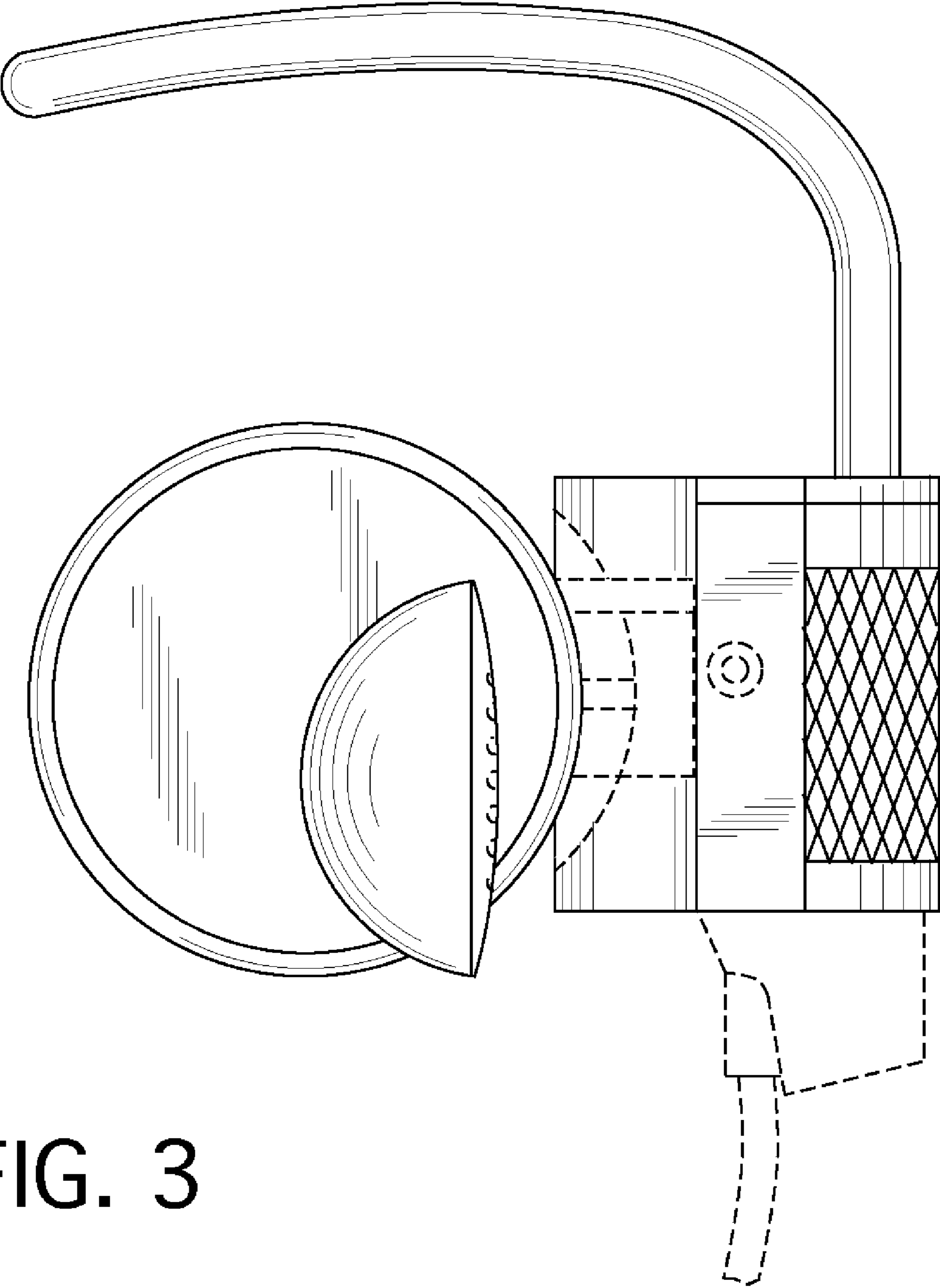
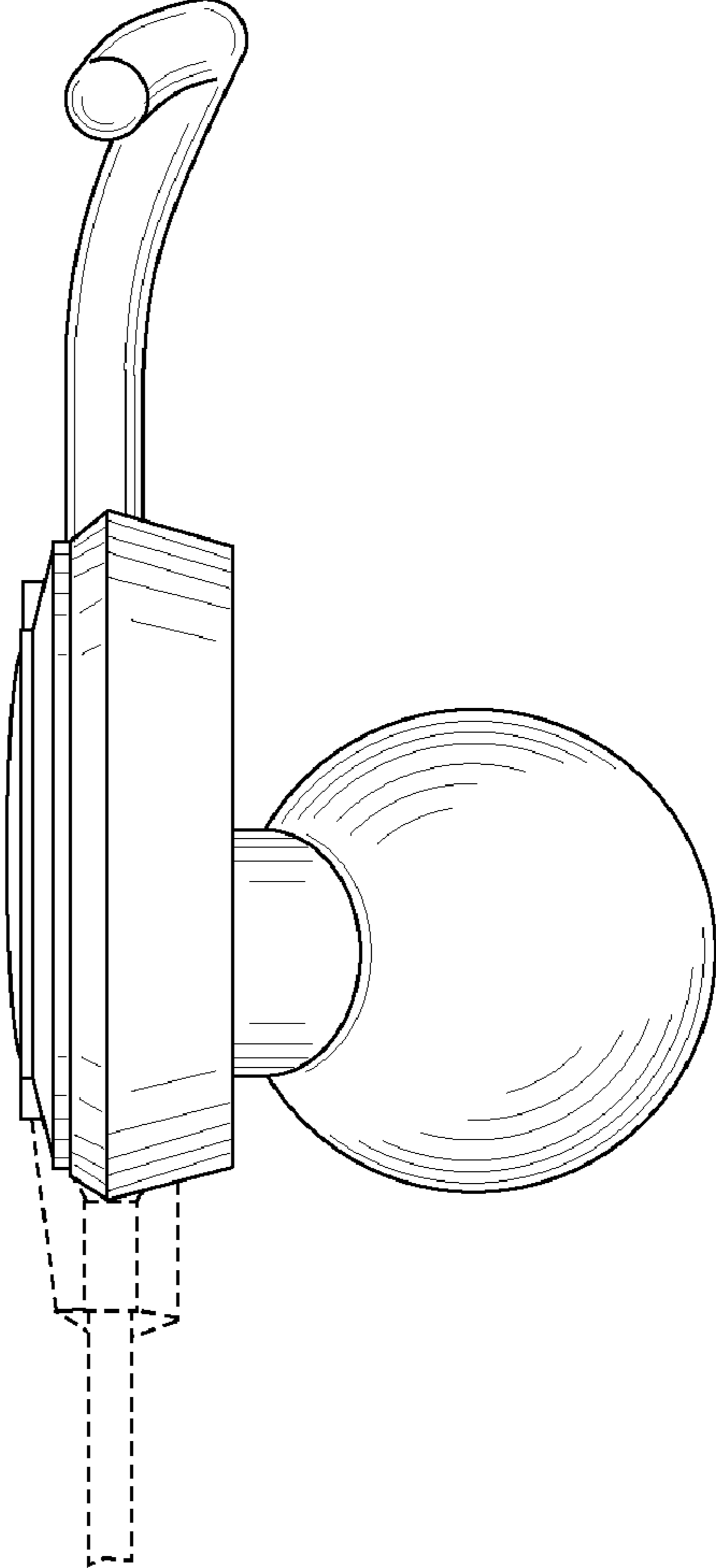
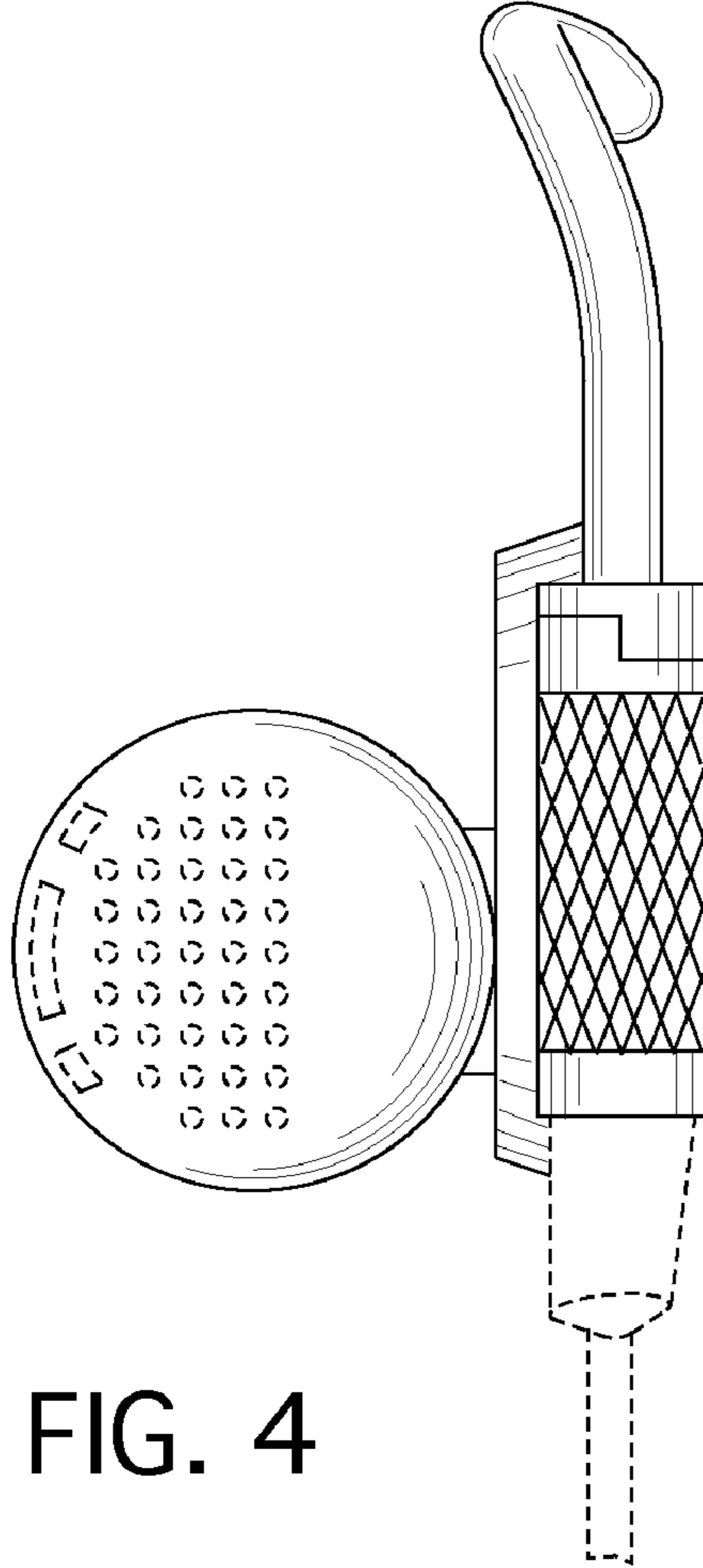


FIG. 3





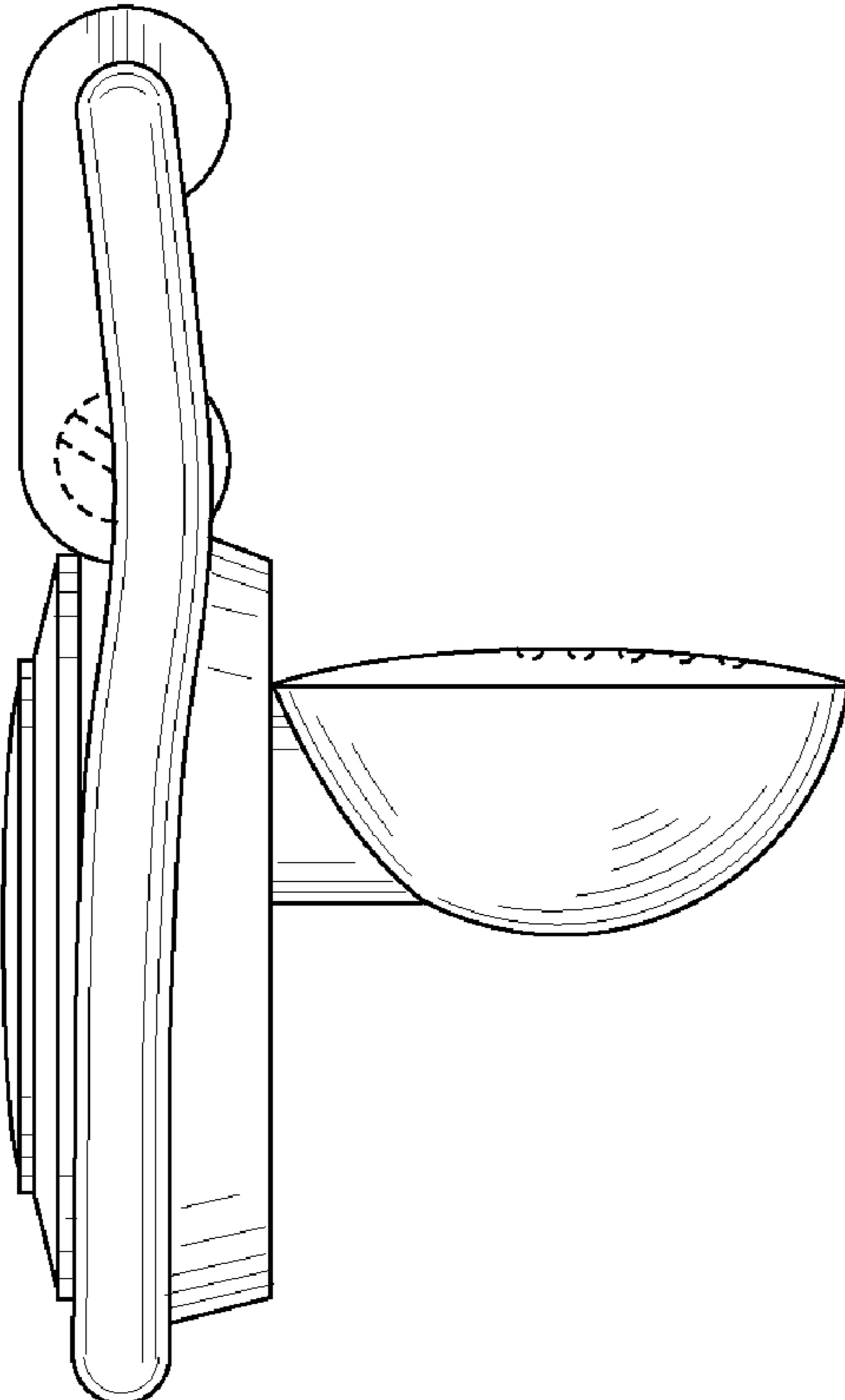


FIG. 6

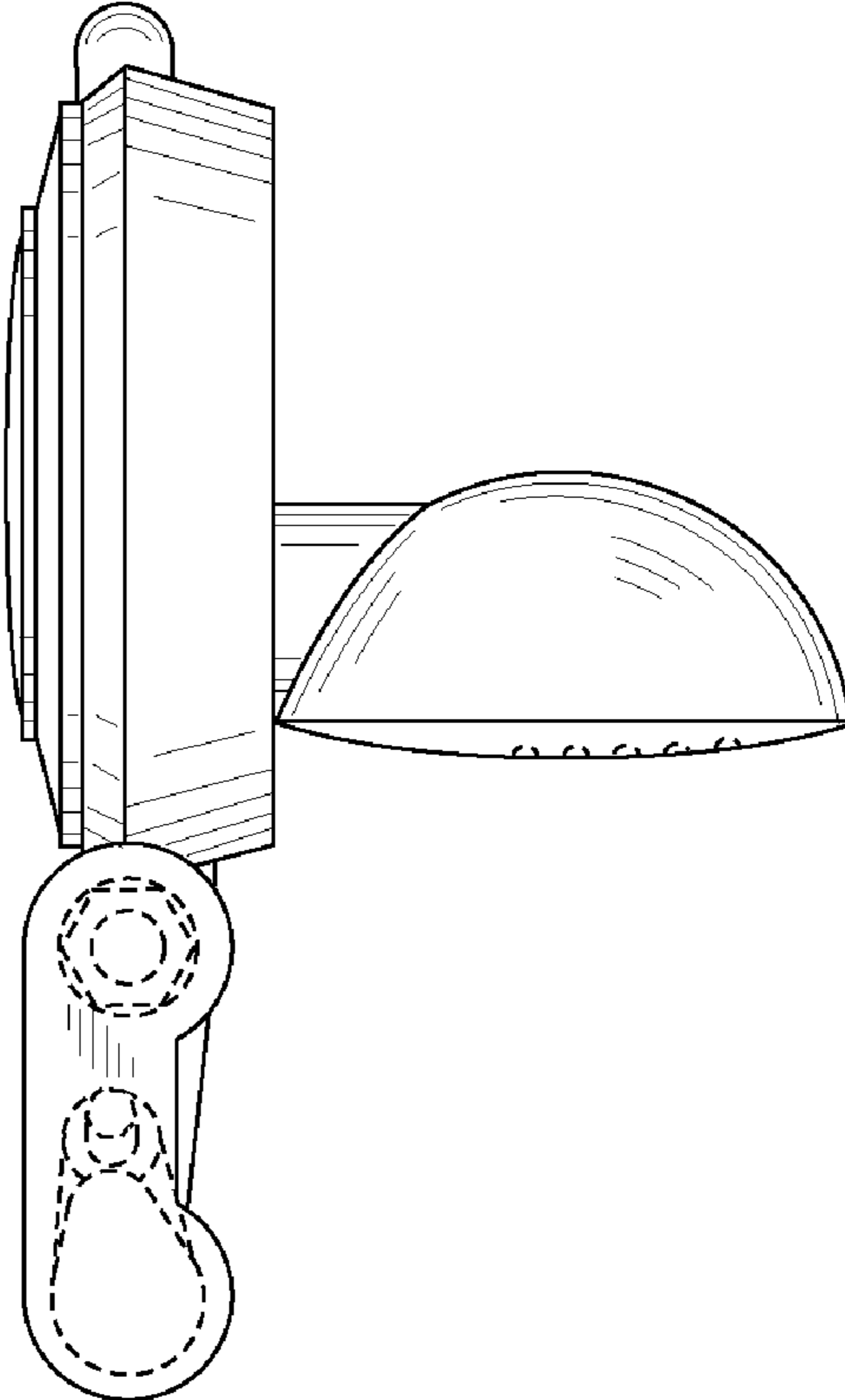


FIG. 7