



US00D618664S

(12) **United States Design Patent**
Chiu

(10) **Patent No.:** **US D618,664 S**
(45) **Date of Patent:** **** Jun. 29, 2010**

- (54) **SPEAKER**
- (75) Inventor: **Yi-Chung Chiu**, Taoyuan (TW)
- (73) Assignee: **Hannspree Inc.**, Taipei (TW)
- (**) Term: **14 Years**
- (21) Appl. No.: **29/346,947**
- (22) Filed: **Nov. 9, 2009**

D351,737 S * 10/1994 Chou D21/607
 D467,896 S * 12/2002 Myers D14/207
 D514,631 S * 2/2006 Schechter D21/608

* cited by examiner

Primary Examiner—Nanda Bondade
 (74) *Attorney, Agent, or Firm*—Schmeiser, Olsen & Watts, LLP

- (51) **LOC (9) Cl.** **14-01**
 - (52) **U.S. Cl.** **D14/207; D11/162; D21/606**
 - (58) **Field of Classification Search** D14/204,
 D14/207, 210–216, 172; 181/143–144, 147–148,
 181/150–153, 157, 198–199; 381/300–303,
 381/306, 332–333, 336, 345, 361–364, 386–388;
 D11/160, 162; D21/479, 585, 606–609,
 D21/832
- See application file for complete search history.

(57) **CLAIM**

The ornamental design for a speaker, as shown and described.

DESCRIPTION

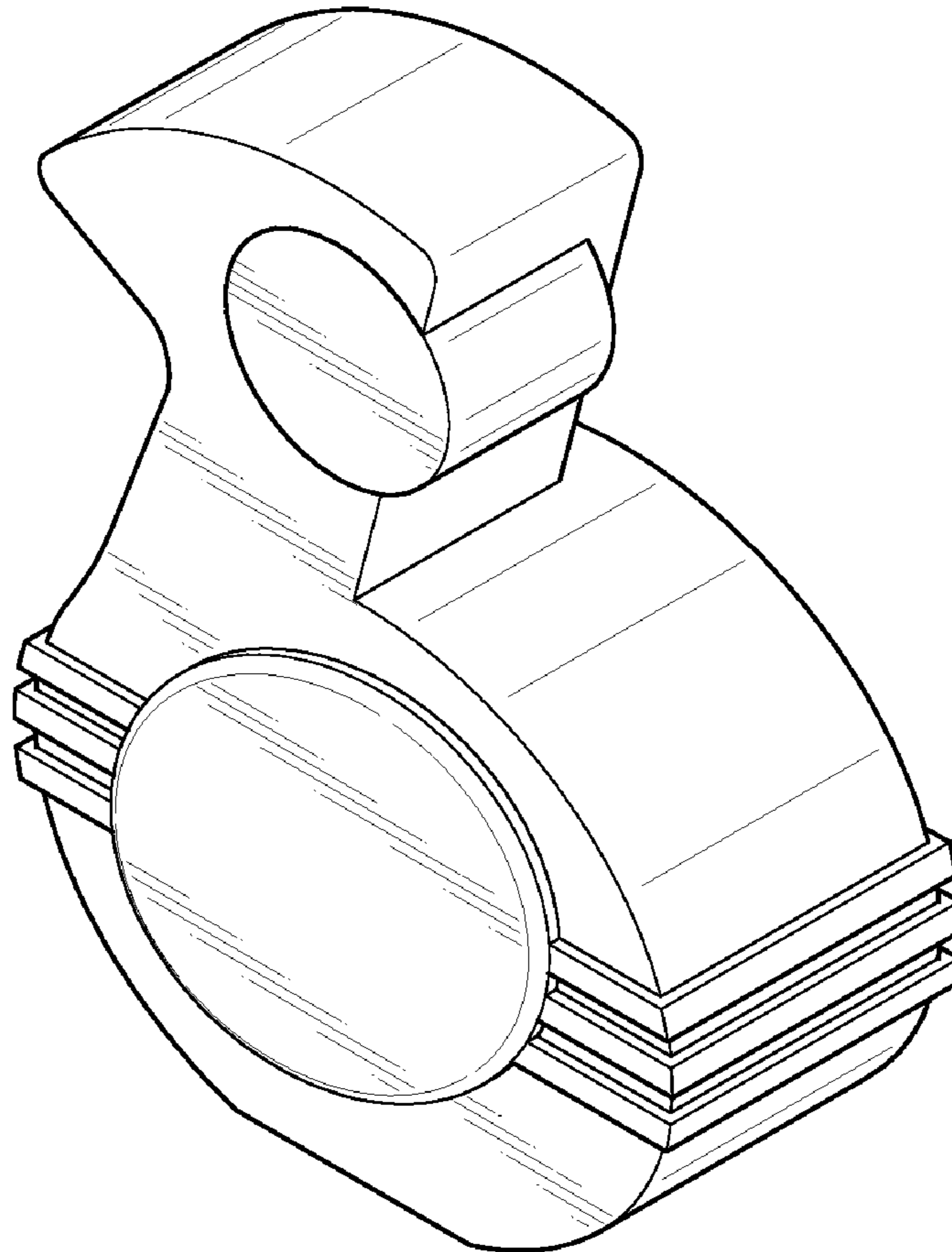
FIG. 1 is a front perspective view of speaker showing my new design;
 FIG. 2 is a front elevational view thereof;
 FIG. 3 is a rear elevational view thereof;
 FIG. 4 is a left side elevational view thereof;
 FIG. 5 is a right side elevational view thereof;
 FIG. 6 is a top plan view thereof; and,
 FIG. 7 is a bottom plan view thereof.

(56) **References Cited**

U.S. PATENT DOCUMENTS

D272,458 S * 1/1984 Fleminger D21/606
 D322,295 S * 12/1991 Overson D21/479

1 Claim, 3 Drawing Sheets



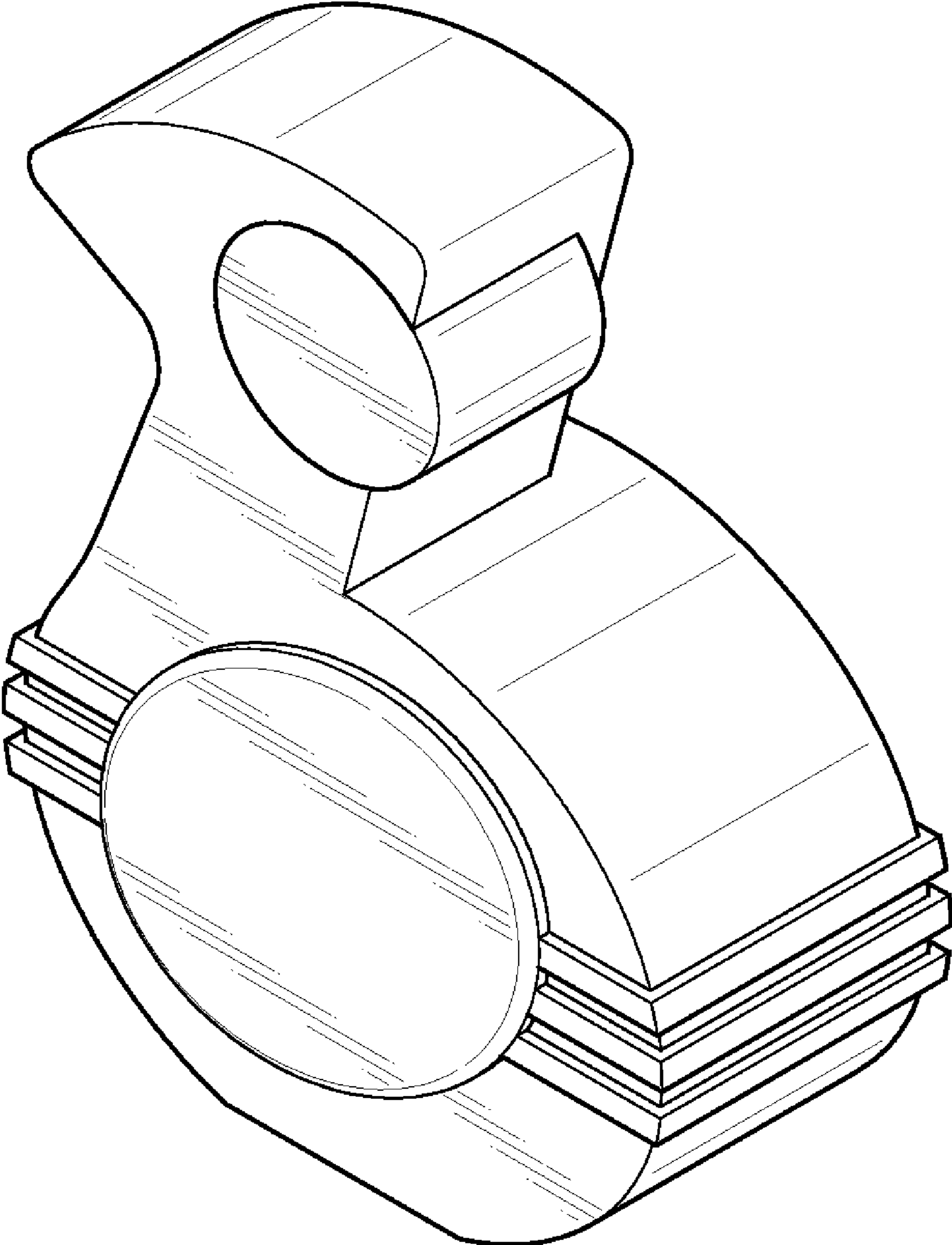


FIG. 1

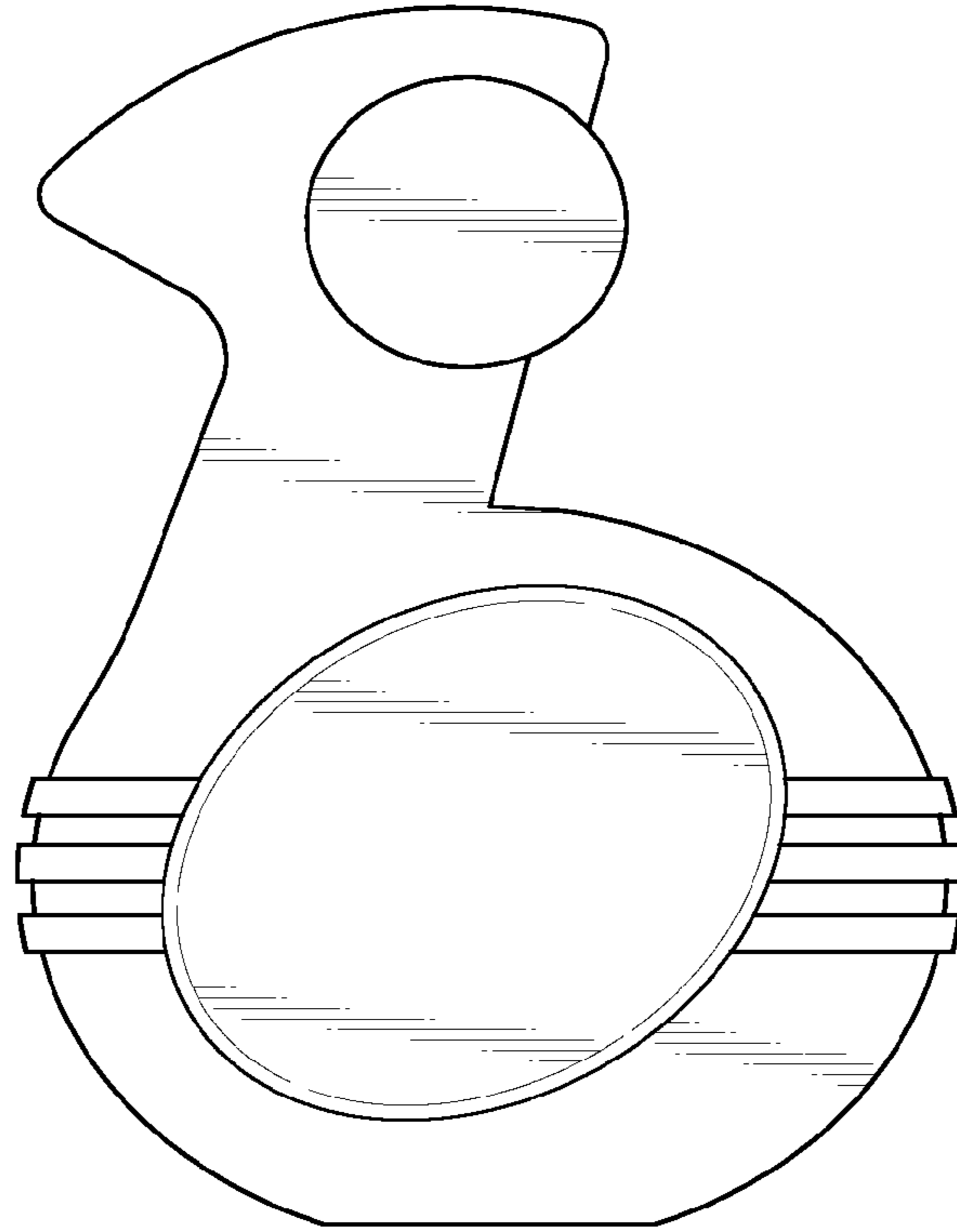


FIG. 2

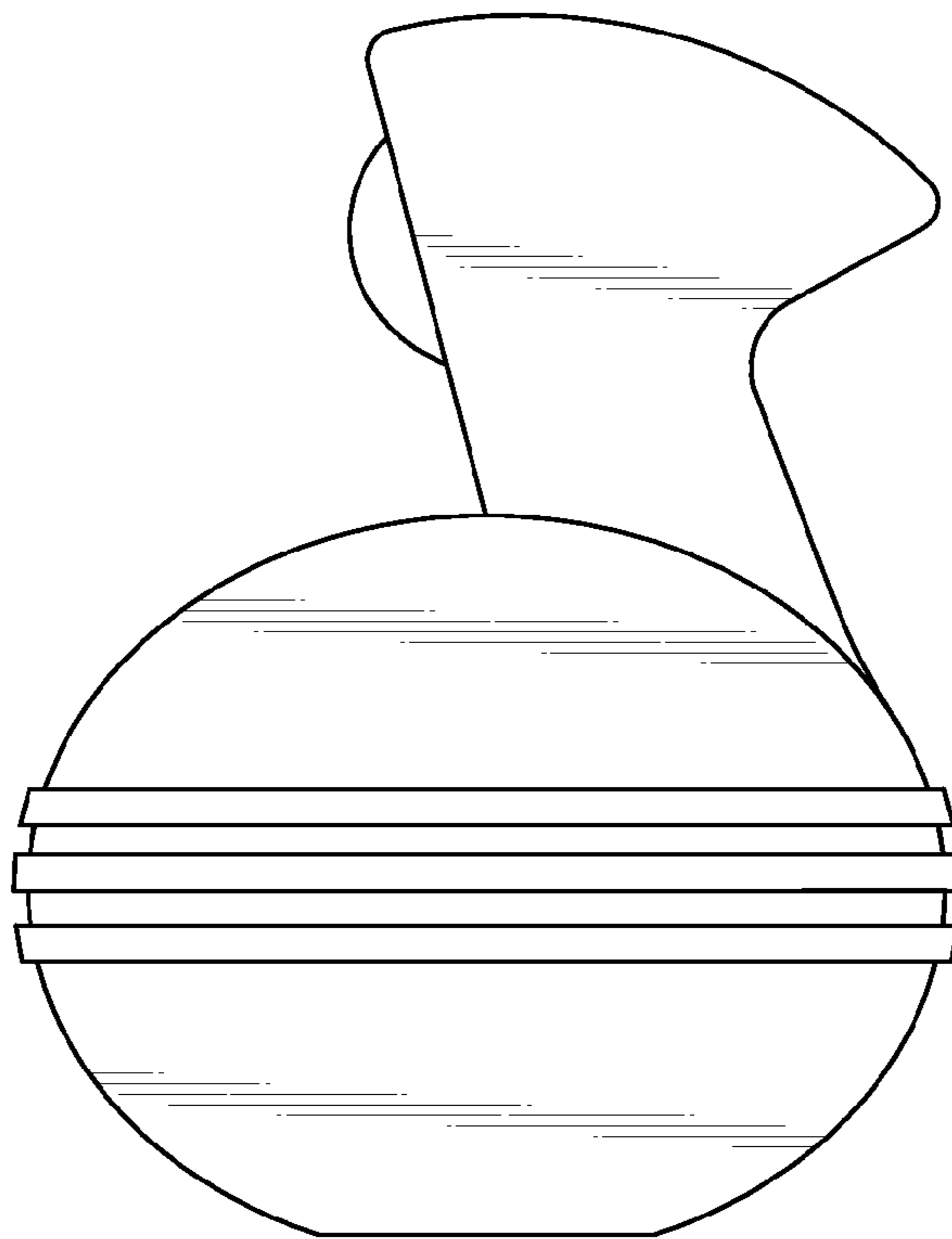


FIG. 3

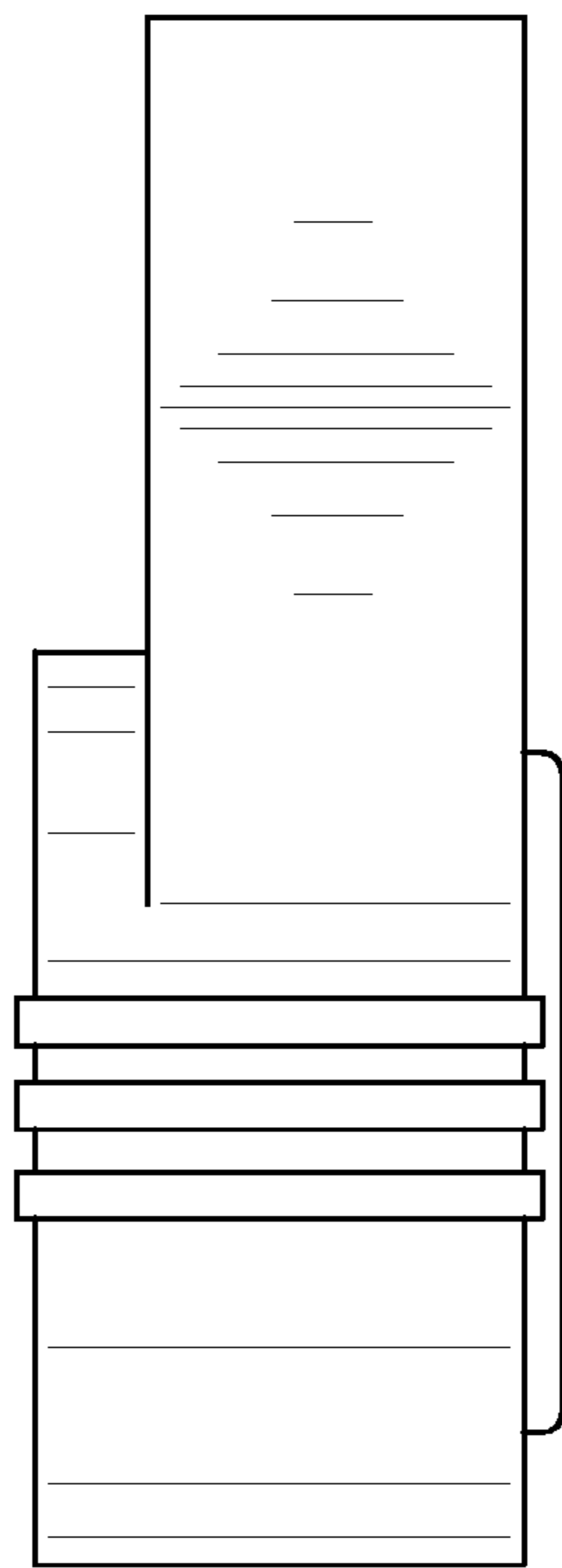


FIG. 4

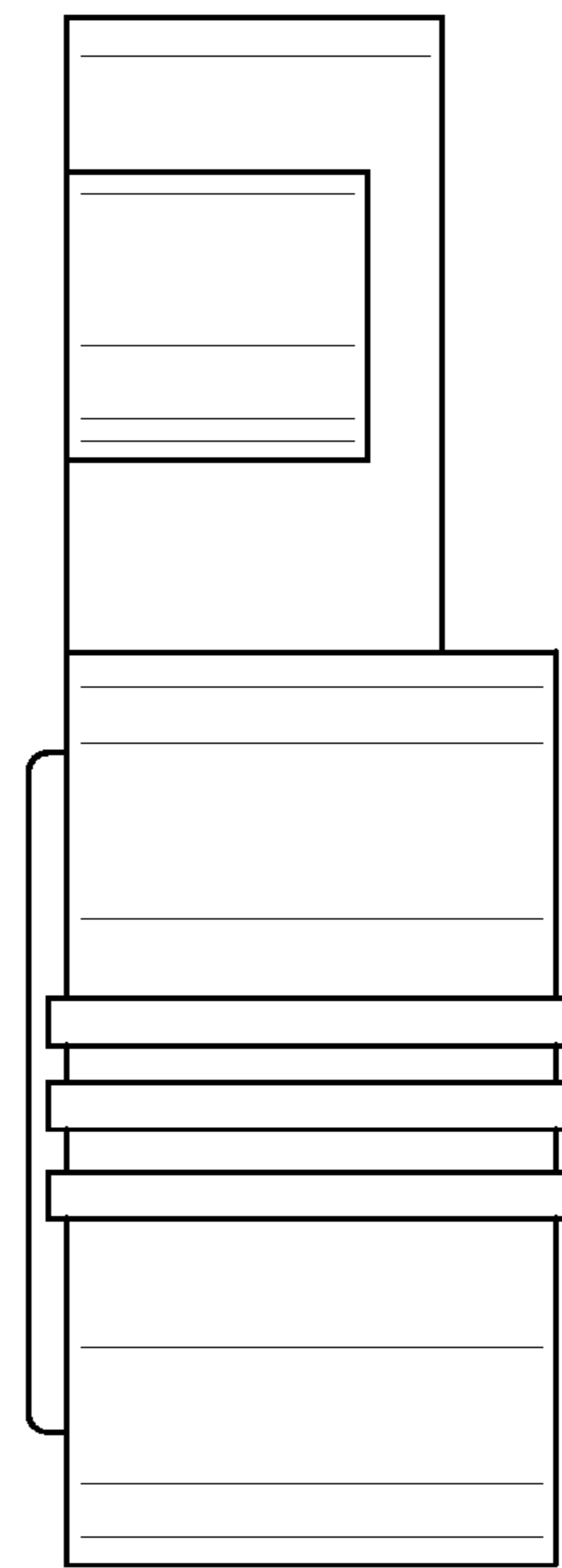


FIG. 5

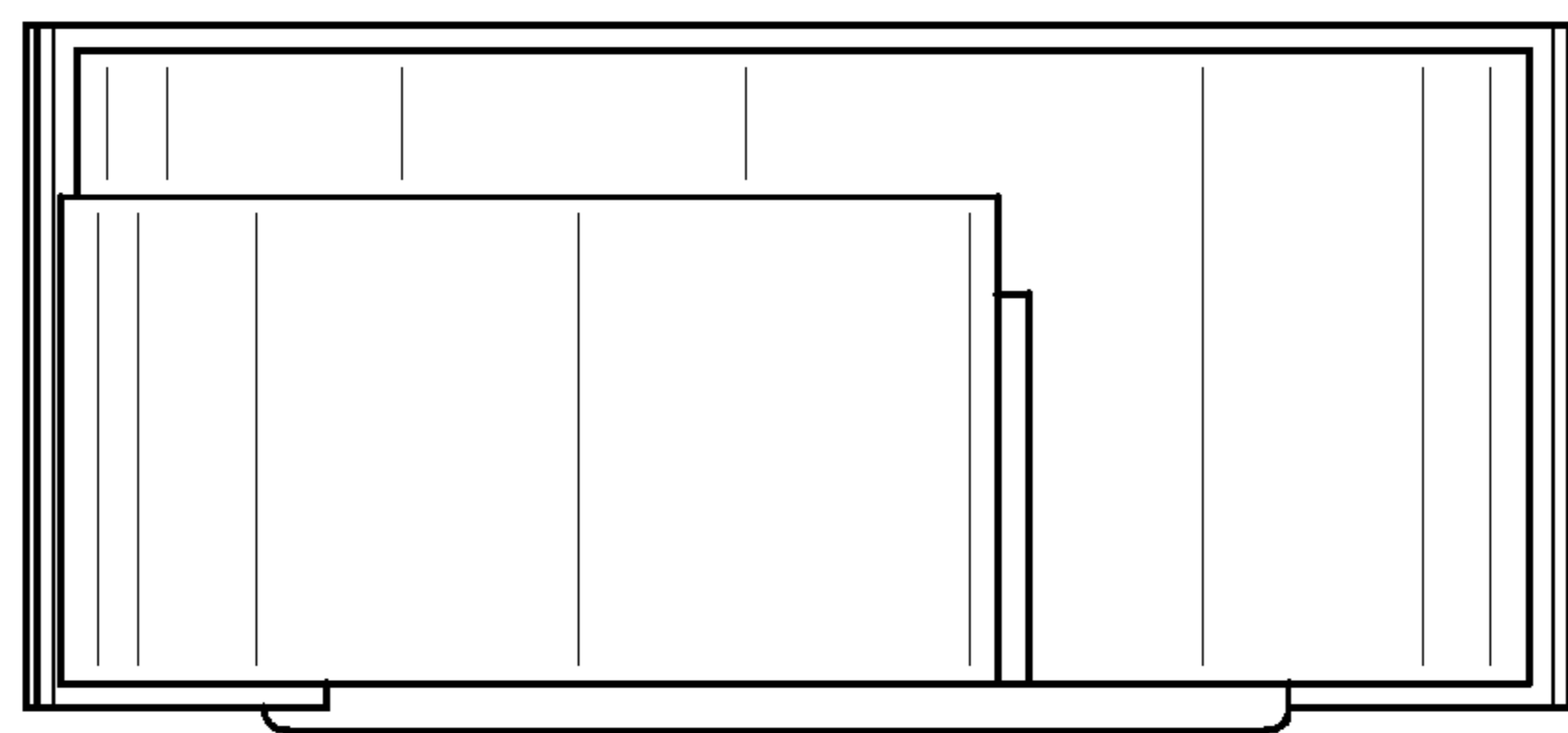


FIG. 6

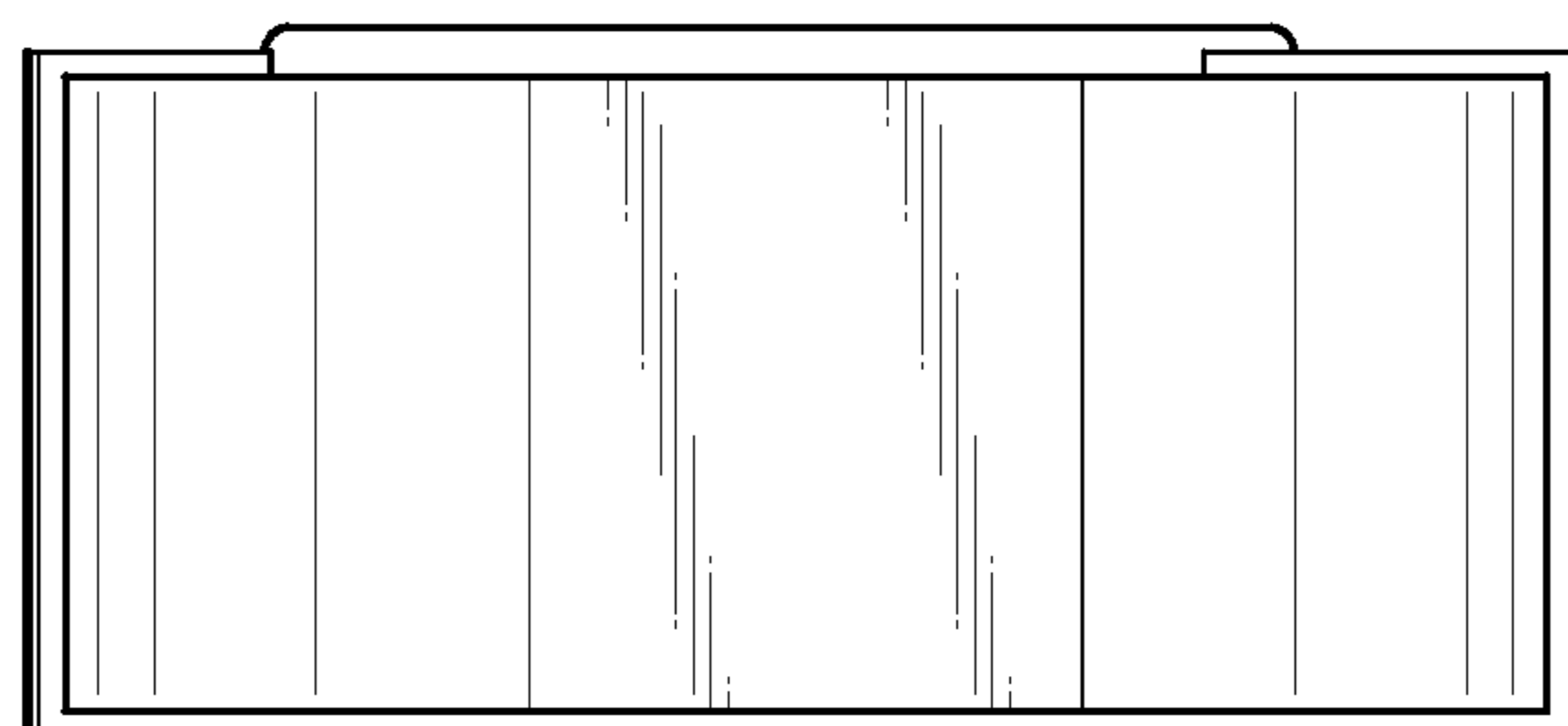


FIG. 7