

US00D618648S

(12) **United States Design Patent**
Bang et al.

(10) **Patent No.:** **US D618,648 S**
(45) **Date of Patent:** **** Jun. 29, 2010**

(54) **MOBILE PHONE**

(75) Inventors: **Yong-Seok Bang**, Seoul (KR);
Seog-Guen Kim, Seoul (KR); **Sang-Min Hyun**, Seoul (FR)

(73) Assignee: **Samsung Electronics Co., Ltd.** (KR)

(**) Term: **14 Years**

(21) Appl. No.: **29/331,131**

(22) Filed: **Jan. 21, 2009**

(30) **Foreign Application Priority Data**

Nov. 21, 2008 (KR) 30-2008-0050283

(51) **LOC (9) Cl.** **14-03**

(52) **U.S. Cl.** **D14/138 AA**

(58) **Field of Classification Search** D14/341-347,
D14/147, 496, 203.3, 203.4, 203.7, 138 AA,
D14/138 R, 138 AD; 455/575.1, 575.4, 556.2
See application file for complete search history.

(56) **References Cited**

U.S. PATENT DOCUMENTS

D485,816	S	*	1/2004	Tanaka	D14/138 AA
D505,932	S	*	6/2005	Eckholm et al.	D14/138 AA
D515,528	S	*	2/2006	Miyazawa et al.	...	D14/138 AA
D548,217	S	*	8/2007	Choi et al.	D14/138 AA
D556,171	S	*	11/2007	Lee et al.	D14/138 AA
D560,631	S	*	1/2008	Sheu et al.	D14/138 AA
D562,282	S	*	2/2008	Suk et al.	D14/138 AA
D563,379	S	*	3/2008	Mai et al.	D14/138 AA
D565,017	S	*	3/2008	Kim et al.	D14/138 AA
D569,824	S	*	5/2008	Cobb et al.	D14/138 AA
D570,317	S	*	6/2008	Eklund	D14/138 AA
D572,693	S	*	7/2008	Miake	D14/139 AA
D572,700	S	*	7/2008	Kwon et al.	D14/138 AA
D574,805	S	*	8/2008	Cobb	D14/138 AA
D576,589	S	*	9/2008	Montin et al.	D14/138 AA
D576,598	S	*	9/2008	Lim et al.	D14/138 AA
D576,993	S	*	9/2008	Park et al.	D14/138 AA
D576,994	S	*	9/2008	Oh et al.	D14/138 AA
D596,602	S	*	7/2009	Cha et al.	D14/138 AA

D597,046	S	*	7/2009	Millora	D14/138 AA
D597,051	S	*	7/2009	Kim et al.	D14/138 AA
D601,982	S	*	10/2009	Kim et al.	D14/138 AA
D601,984	S	*	10/2009	Kim et al.	D14/138 AA
D604,260	S	*	11/2009	Choi et al.	D14/138 AD
2006/0105806	A1	*	5/2006	Vance et al.	455/556.1

OTHER PUBLICATIONS

Samsung B2700 telephone, announced Sep. 2008, [online], [site visited Jan. 19, 2010]. Available from Internet ,<URL: <http://www.gsmarena.com>>.*

Samsung E1410 telephone, announced Dec. 2008, [online], [site visited Jan. 19, 2010]. Available from Internet ,<URL: <http://www.gsmarena.com>>.*

Samsung E1110 telephone, announced Nov. 2008, [online], [site visited Jan. 19, 2010]. Available from Internet ,<URL: <http://www.gsmarena.com>>.*

Samsung E1130B telephone, announced Oct. 2009, [online], [site visited Jan. 19, 2010]. Available from Internet ,<URL: <http://www.gsmarena.com>>.*

Samsung E2100B telephone, announced Jan. 2009, [online], [site visited Jan. 19, 2010]. Available from Internet ,<URL: <http://www.gsmarena.com>>.*

* cited by examiner

Primary Examiner—Jeffrey D Asch

(74) *Attorney, Agent, or Firm*—Cantor Colburn LLP

(57) **CLAIM**

We claim, the ornamental design for mobile phone, as shown and described.

DESCRIPTION

FIG. 1 is a top and front perspective view of mobile phone, showing our new design;

FIG. 2 is a front elevational view thereof;

FIG. 3 is a rear elevational view thereof;

FIG. 4 is a left side elevational view thereof;

FIG. 5 is a right side elevational view thereof;

FIG. 6 is a top view thereof; and,

FIG. 7 is a bottom view thereof.

1 Claim, 4 Drawing Sheets

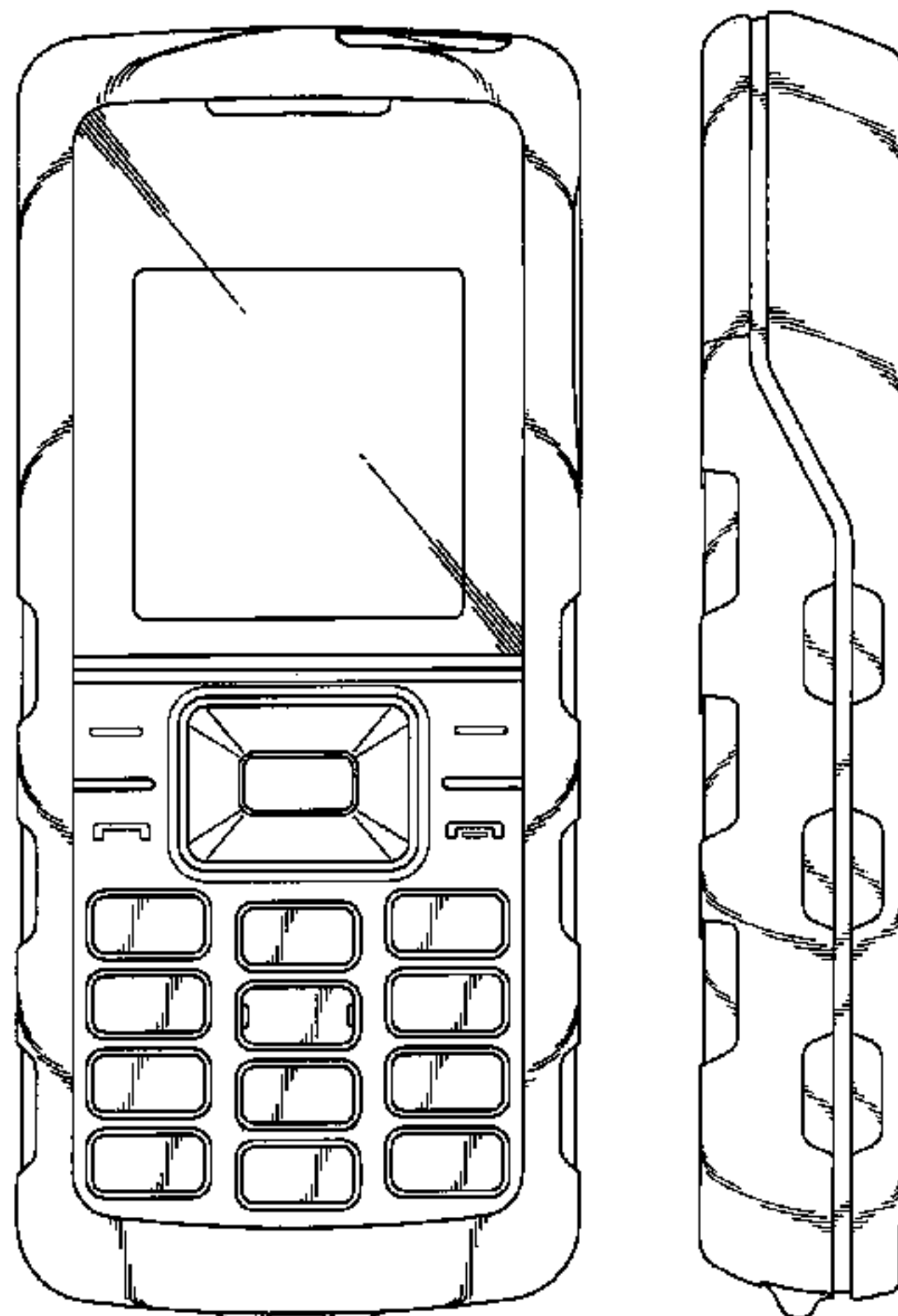


FIG. 1

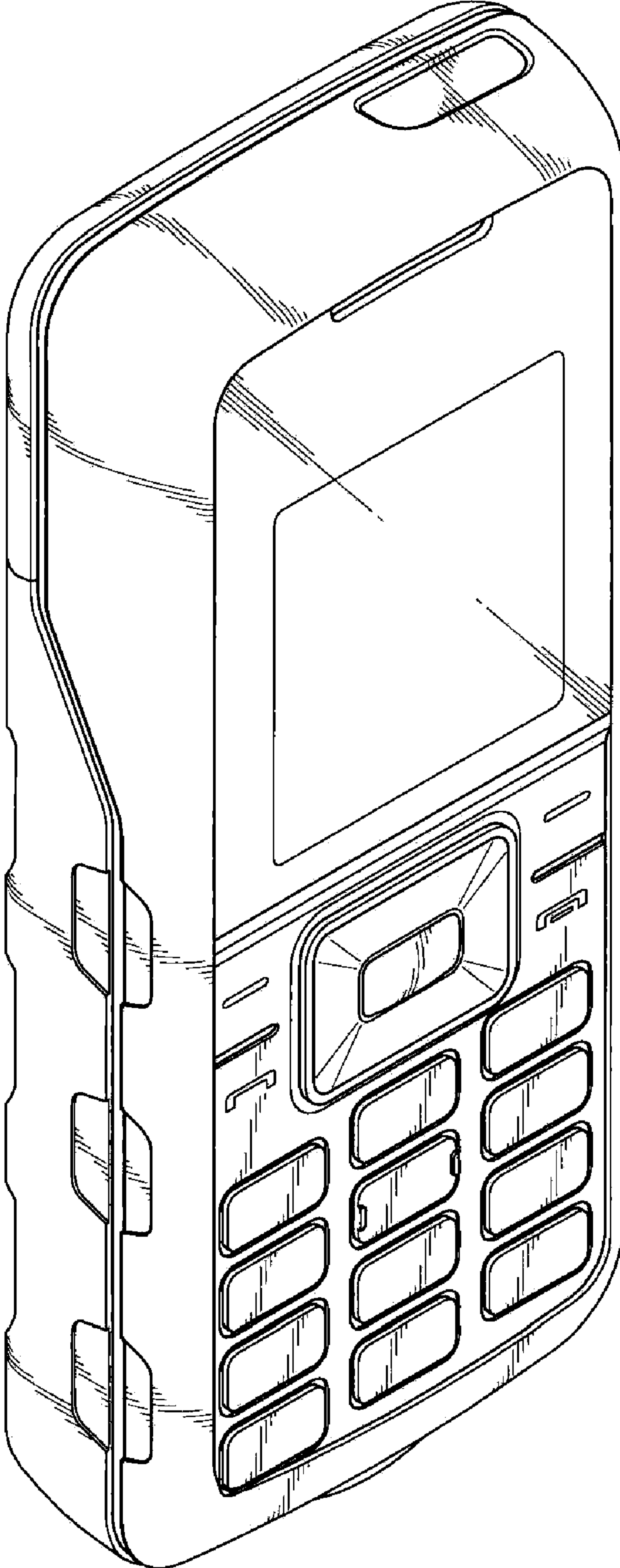


FIG.2

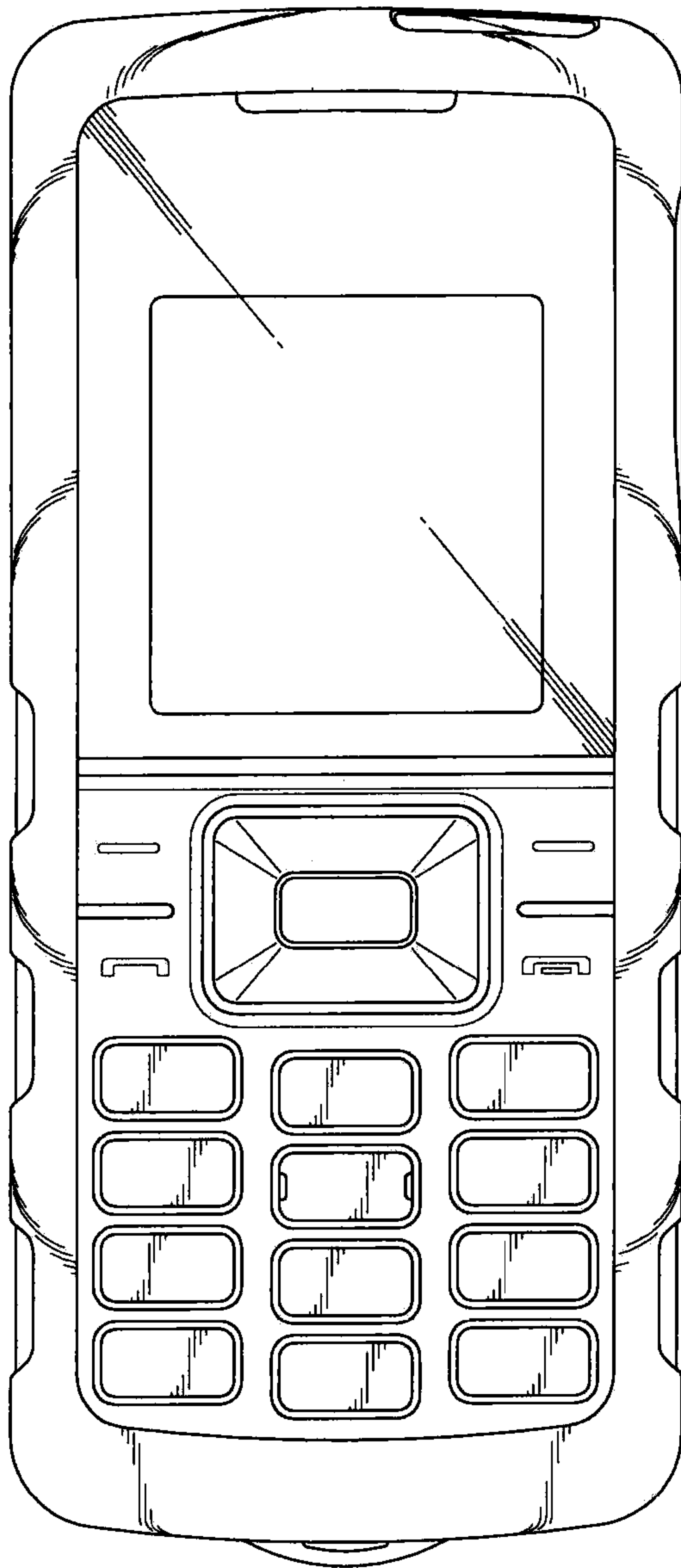


FIG.3

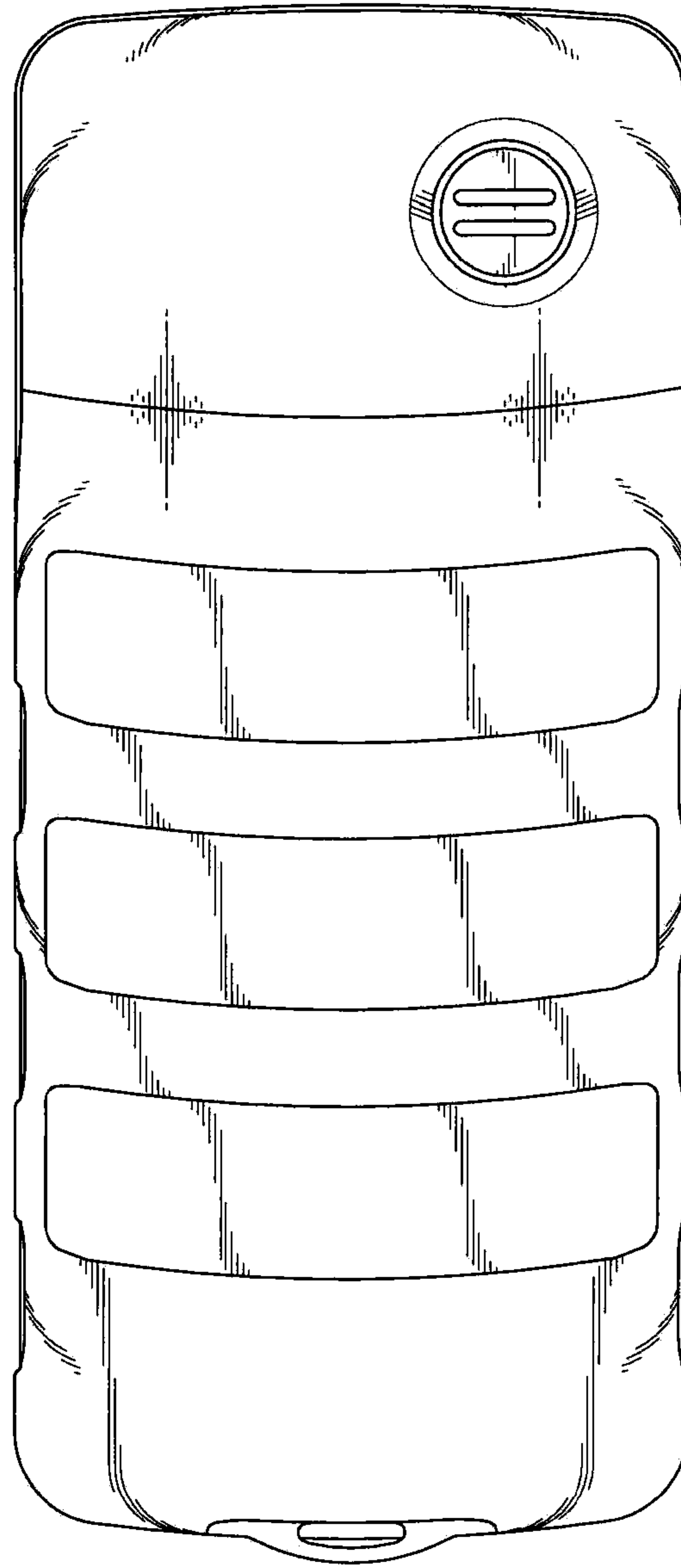


FIG.4

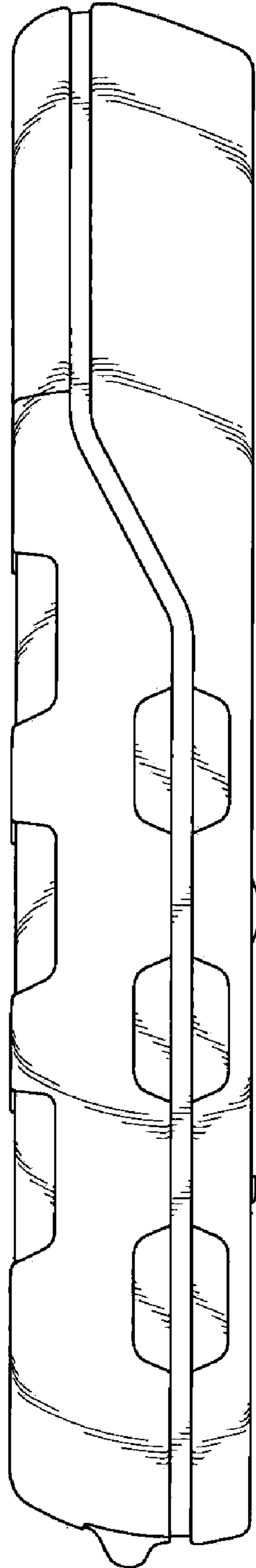


FIG.5

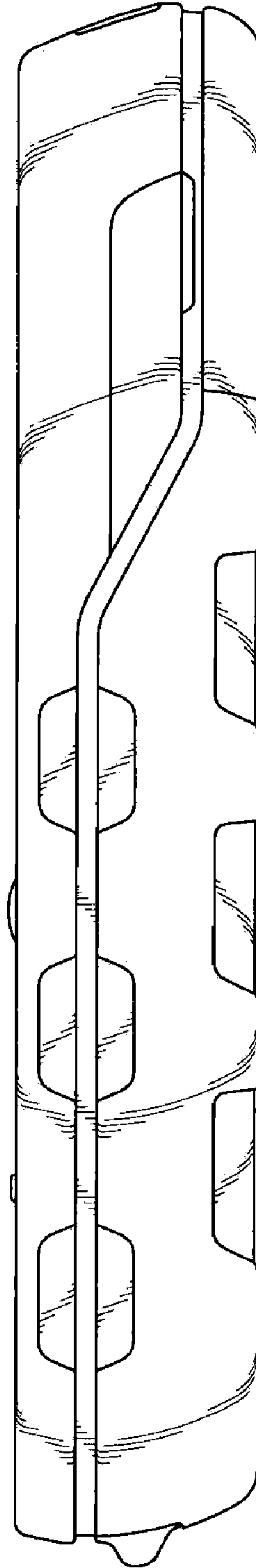


FIG.6

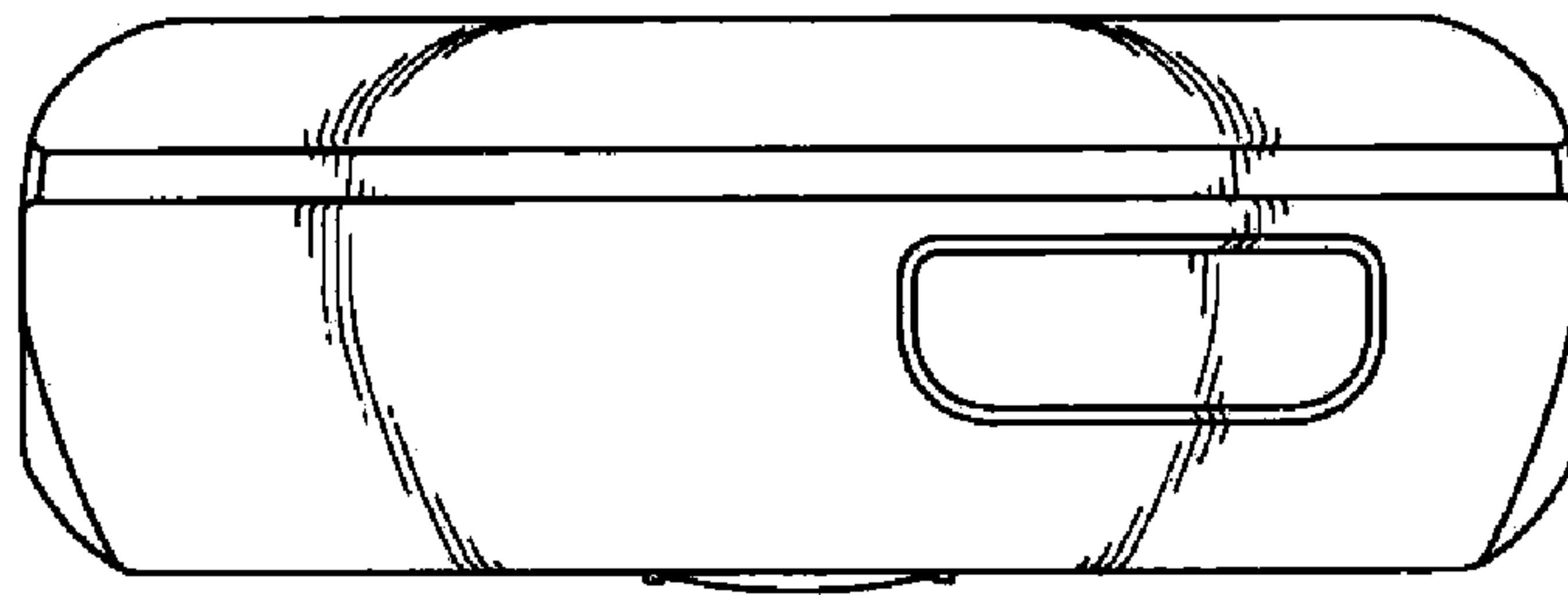


FIG.7

