



US00D618638S

(12) **United States Design Patent**
Nakashima

(10) **Patent No.:** **US D618,638 S**

(45) **Date of Patent:** **** Jun. 29, 2010**

(54) **REACTION TUBE**

(75) Inventor: **Seiyo Nakashima**, Toyama (JP)

(73) Assignee: **Hitachi Kokusai Electric, Inc.**, Tokyo (JP)

(**) Term: **14 Years**

(21) Appl. No.: **29/327,478**

(22) Filed: **Nov. 6, 2008**

(30) **Foreign Application Priority Data**

May 9, 2008 (JP) 2008-011672

(51) **LOC (9) Cl.** **13-03**

(52) **U.S. Cl.** **D13/182**

(58) **Field of Classification Search** D13/182;
118/715, 724, 725; 219/390, 486, 523; 432/247
See application file for complete search history.

(56) **References Cited**

U.S. PATENT DOCUMENTS

- 5,948,300 A * 9/1999 Gero et al. 219/390
- D520,467 S * 5/2006 Ishii et al. D13/182
- D586,768 S * 2/2009 Inoue et al. D13/182

- D594,488 S * 6/2009 Toiya et al. D15/144.1
- D600,659 S * 9/2009 Matsuura et al. D13/182
- 2003/0221779 A1 * 12/2003 Okuda et al. 156/345.26

* cited by examiner

Primary Examiner—Selina Sikder

(74) *Attorney, Agent, or Firm*—Brundidge & Stranger, P.C.

(57) **CLAIM**

I claim an ornamental design for a reaction tube, as shown and described.

DESCRIPTION

FIG. 1 is a reference perspective view 1 of a reaction tube;

FIG. 2 is a reference perspective view 2 thereof;

FIG. 3 is a front elevation view thereof;

FIG. 4 is a rear elevation view thereof;

FIG. 5 is a left side elevation view thereof;

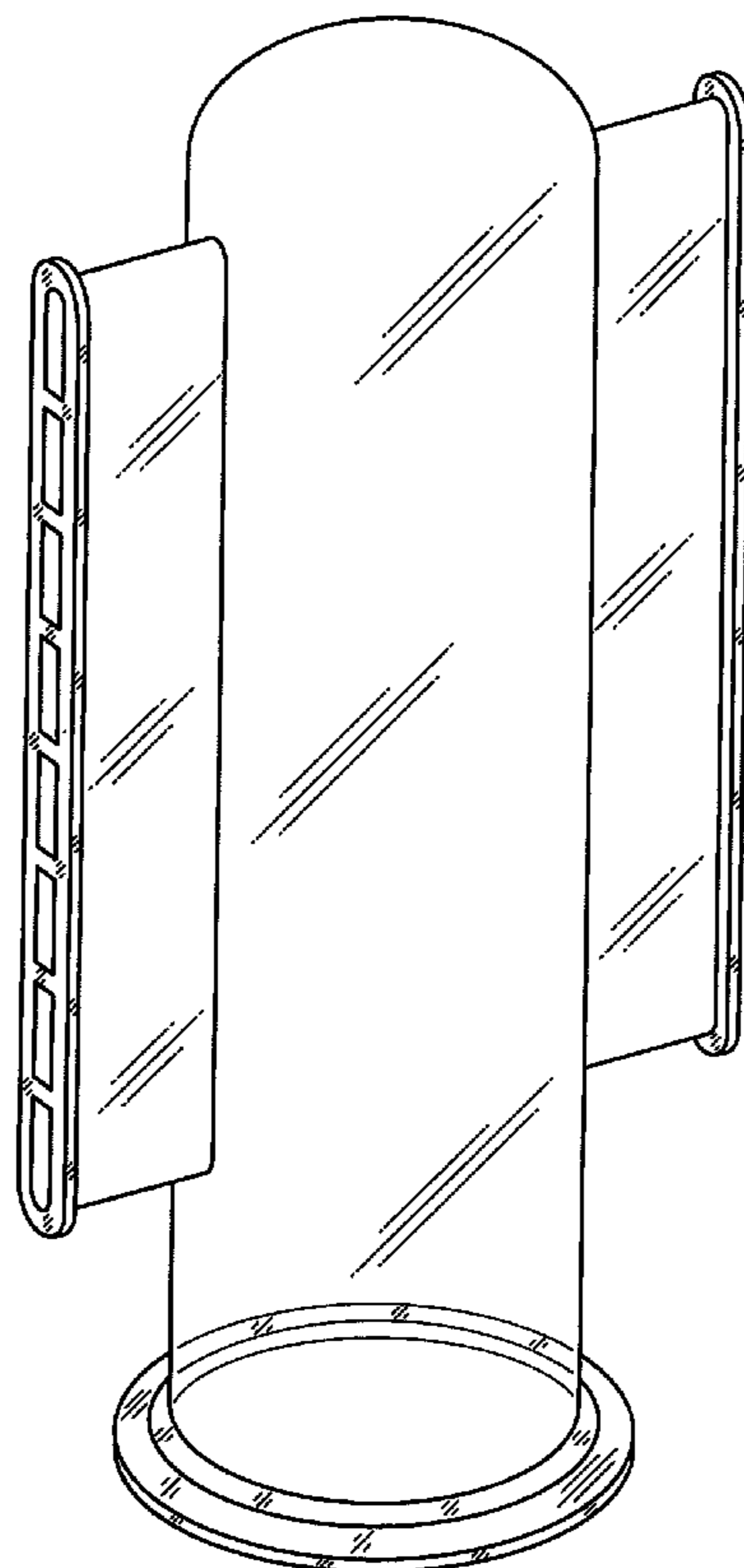
FIG. 6 is a top plan view thereof;

FIG. 7 is a bottom plan view thereof;

FIG. 8 is sectional view taken along line 8—8 in FIG. 6; and,

FIG. 9 is sectional view taken along line 9—9 in FIG. 3.

1 Claim, 8 Drawing Sheets



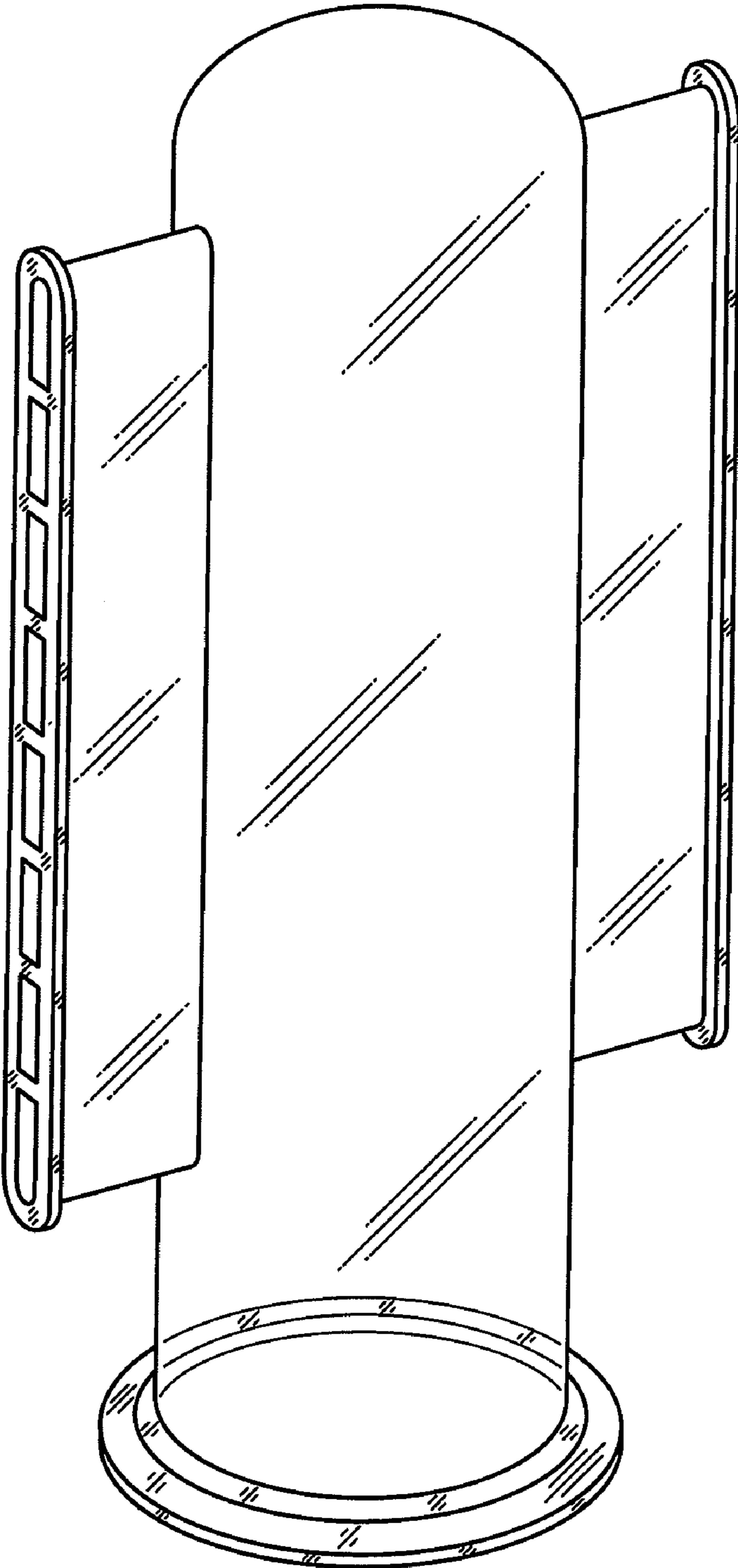


FIG. 1

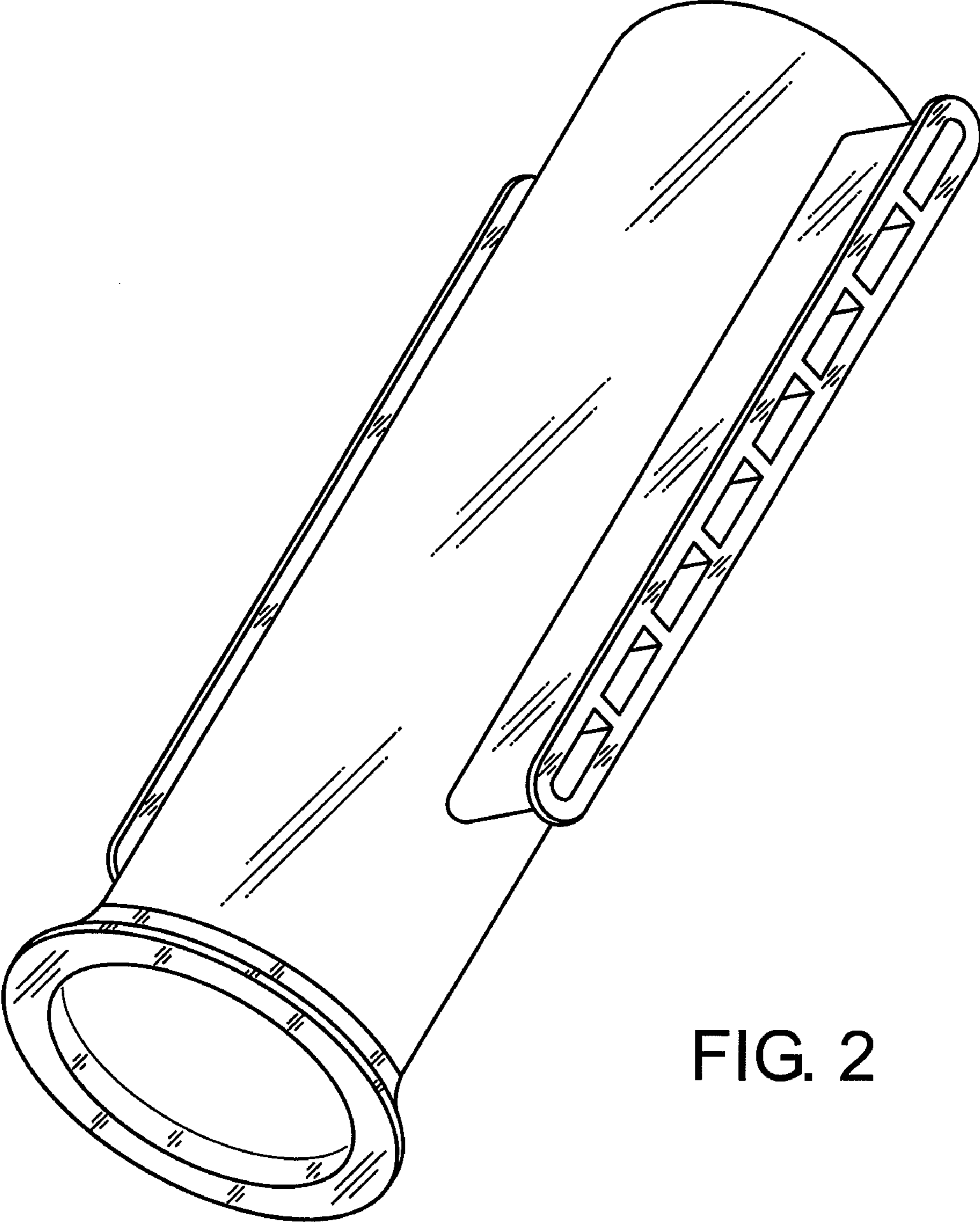


FIG. 2

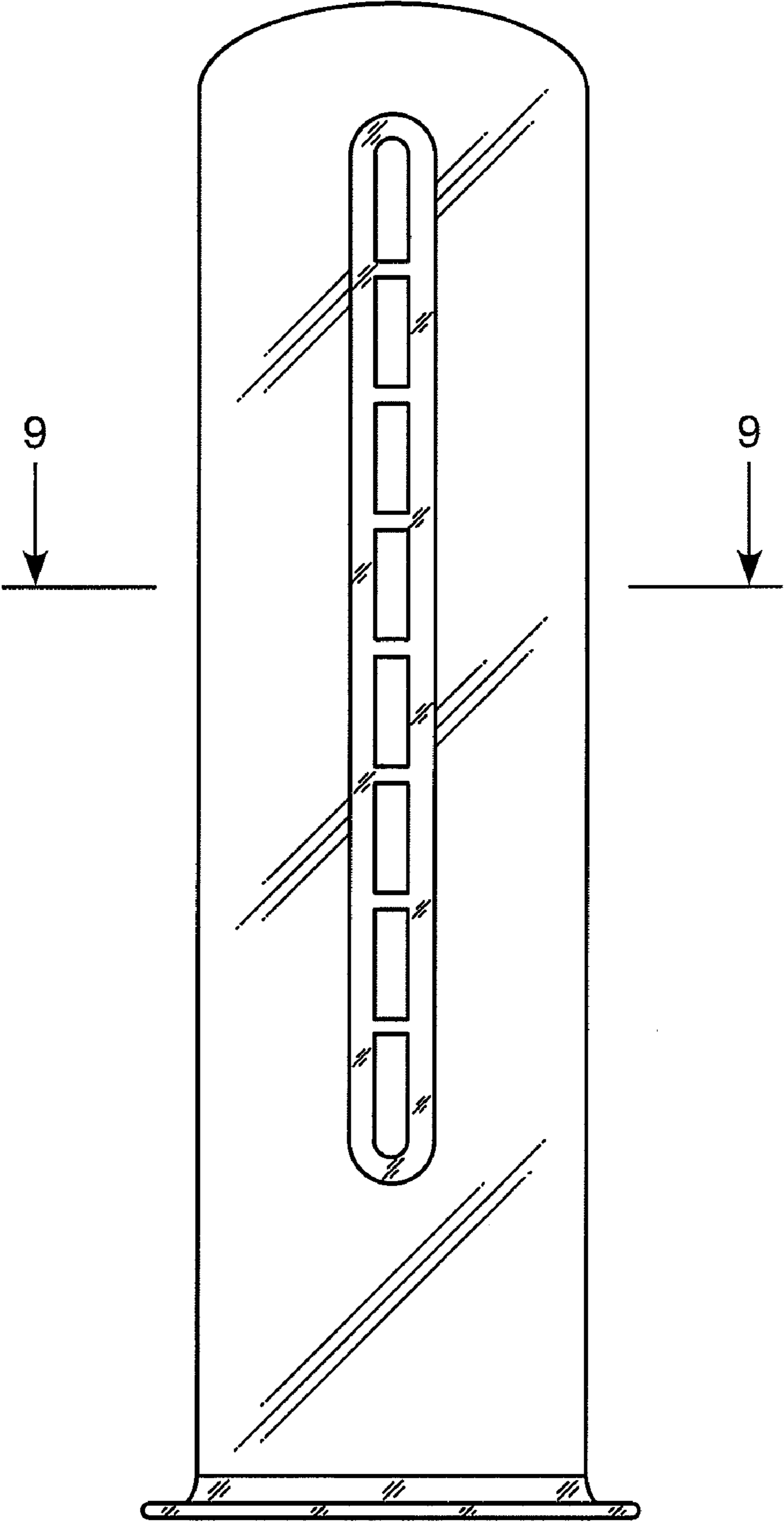


FIG. 3

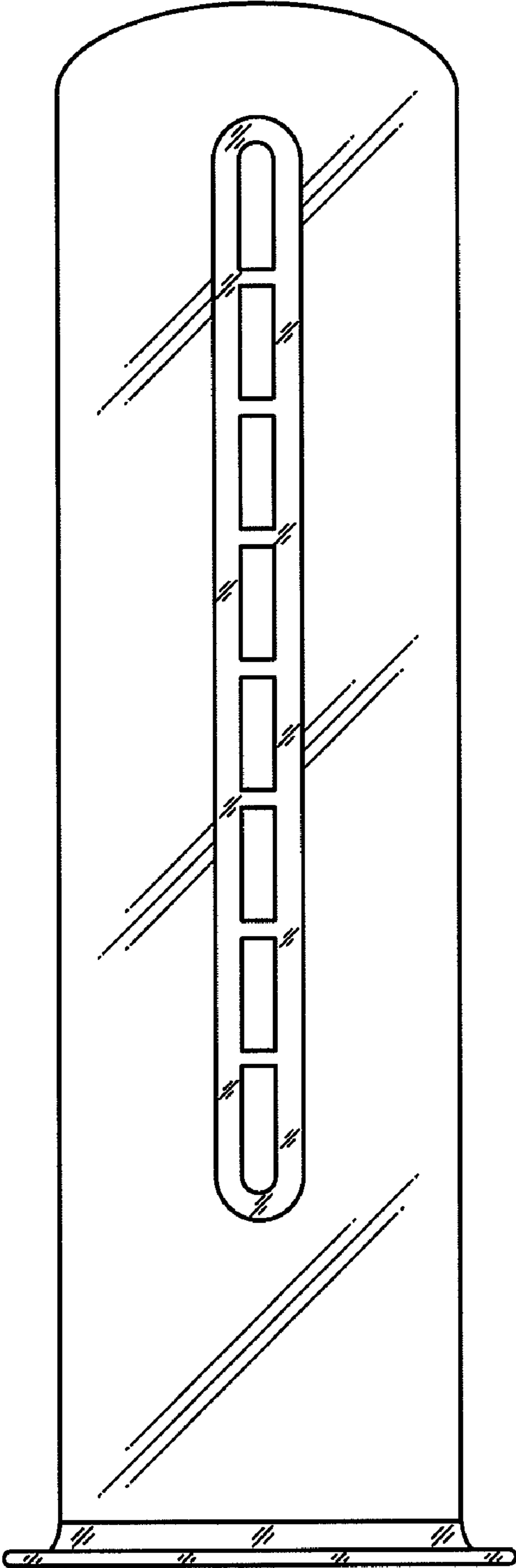


FIG. 4

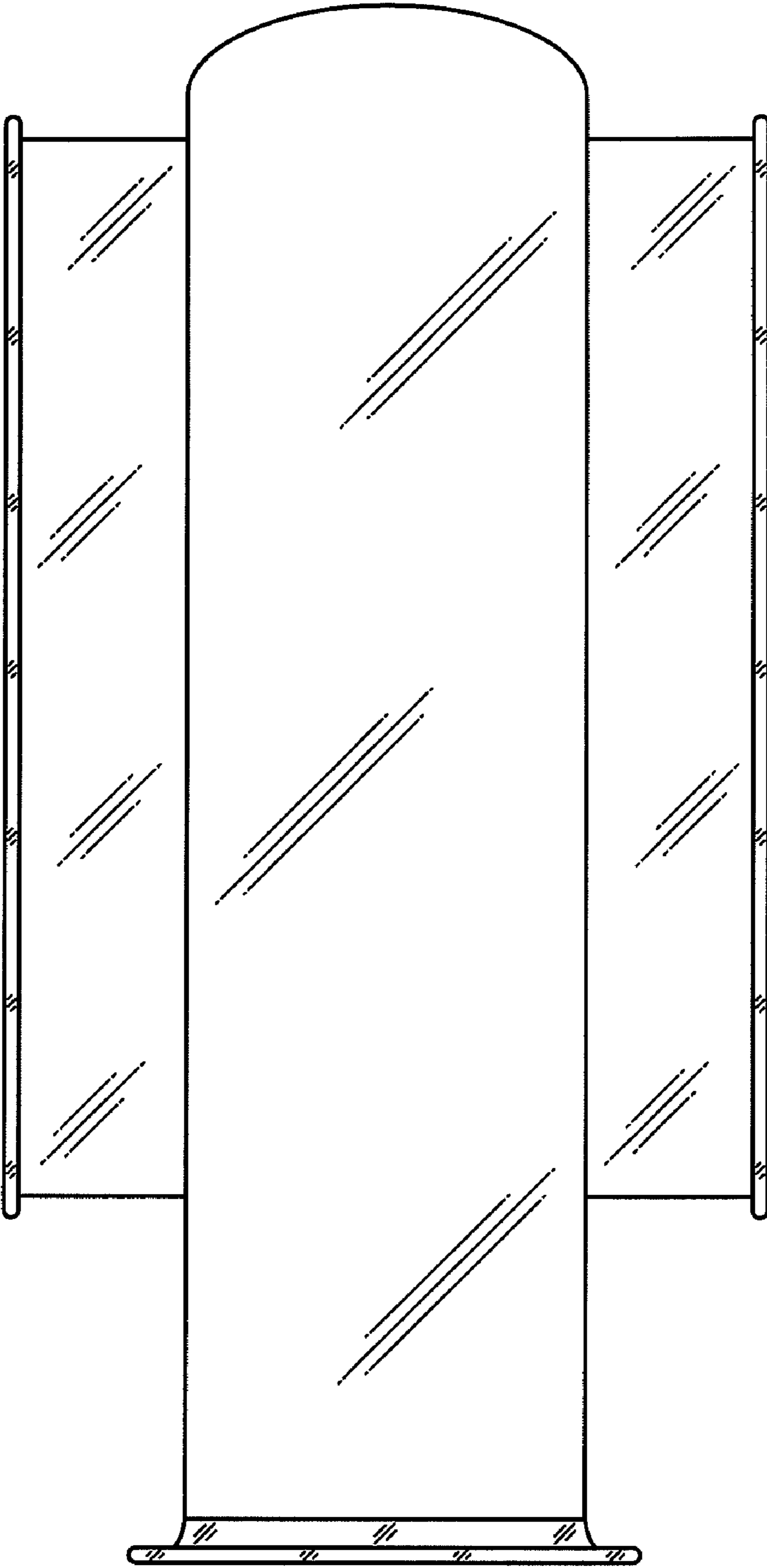


FIG. 5

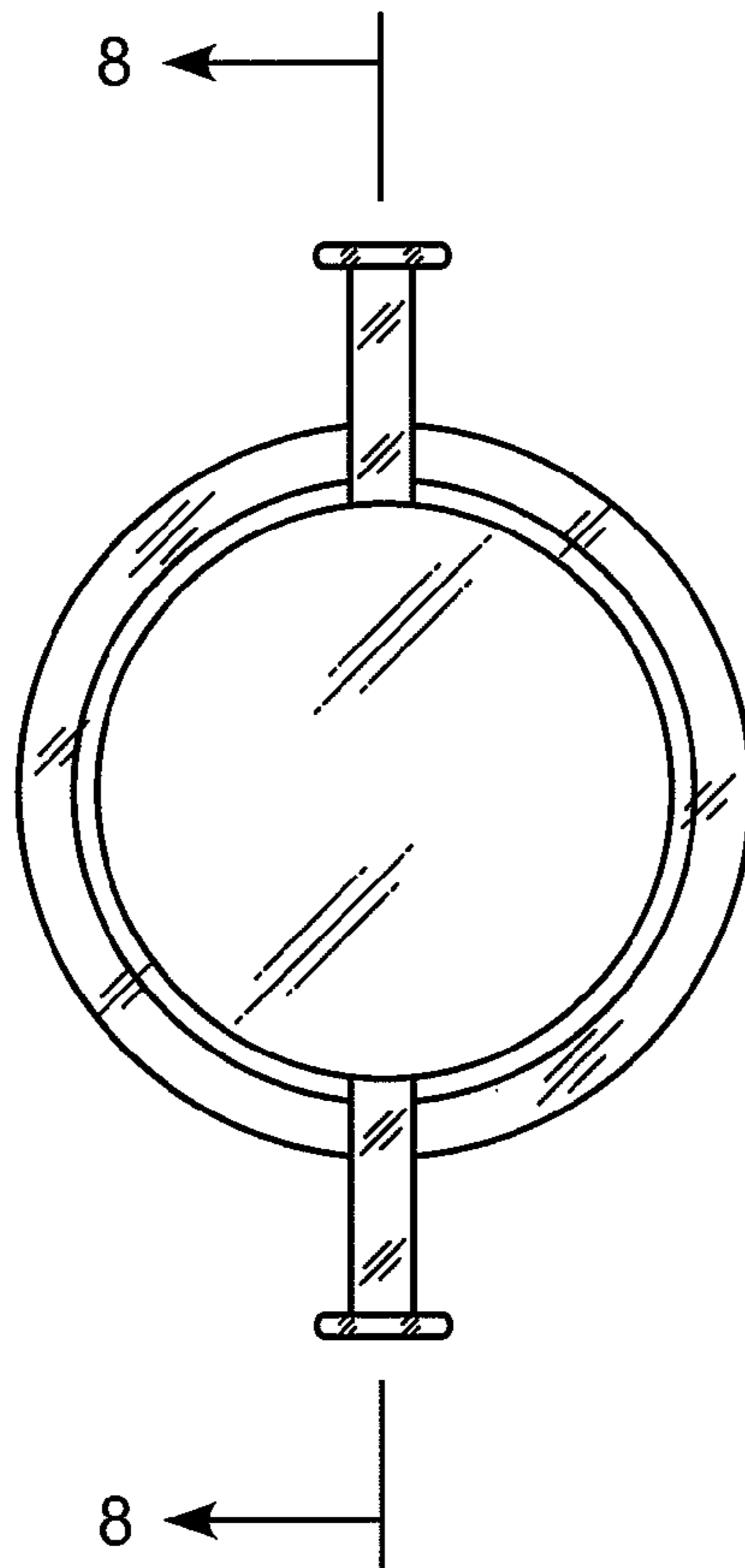


FIG. 6

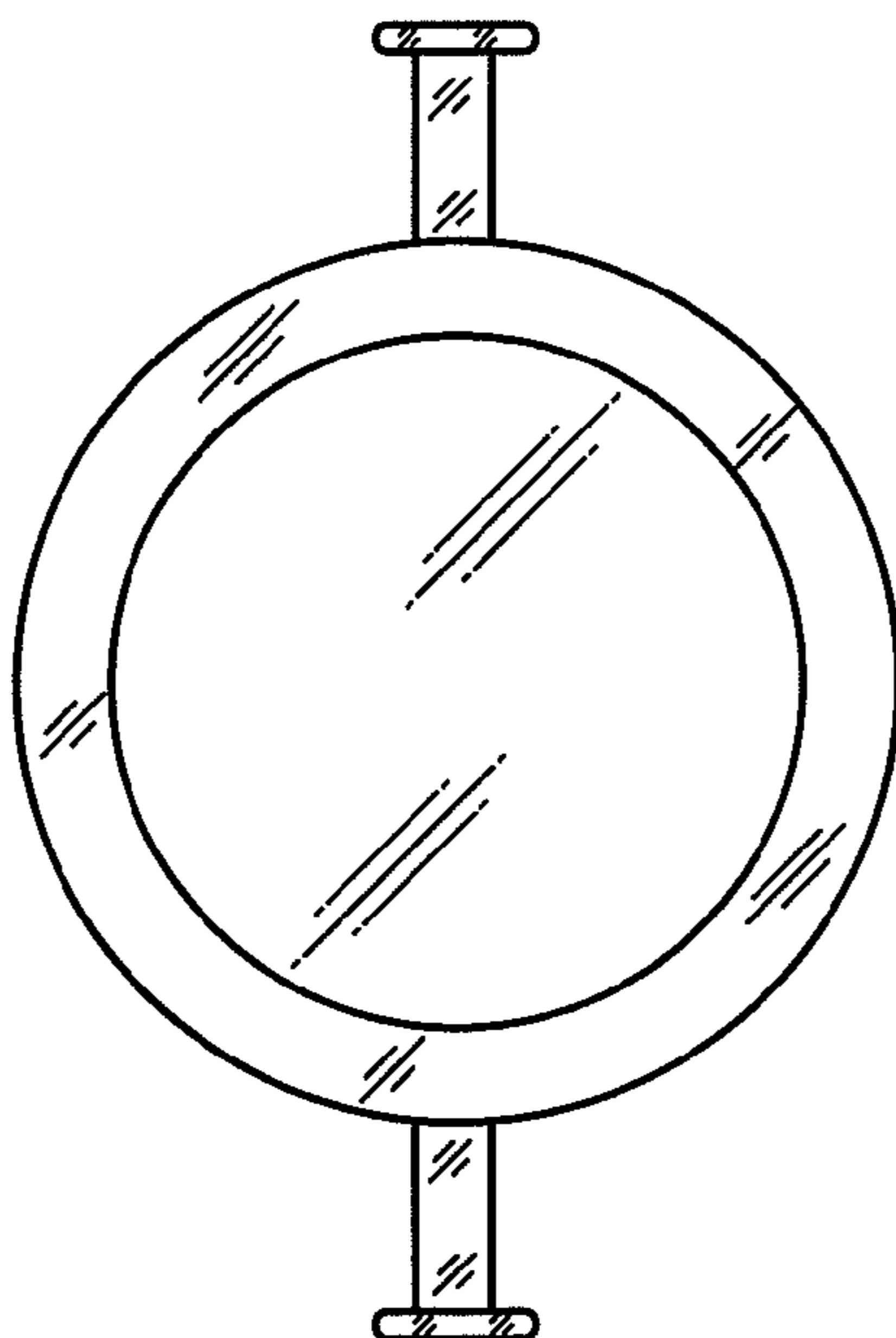


FIG. 7

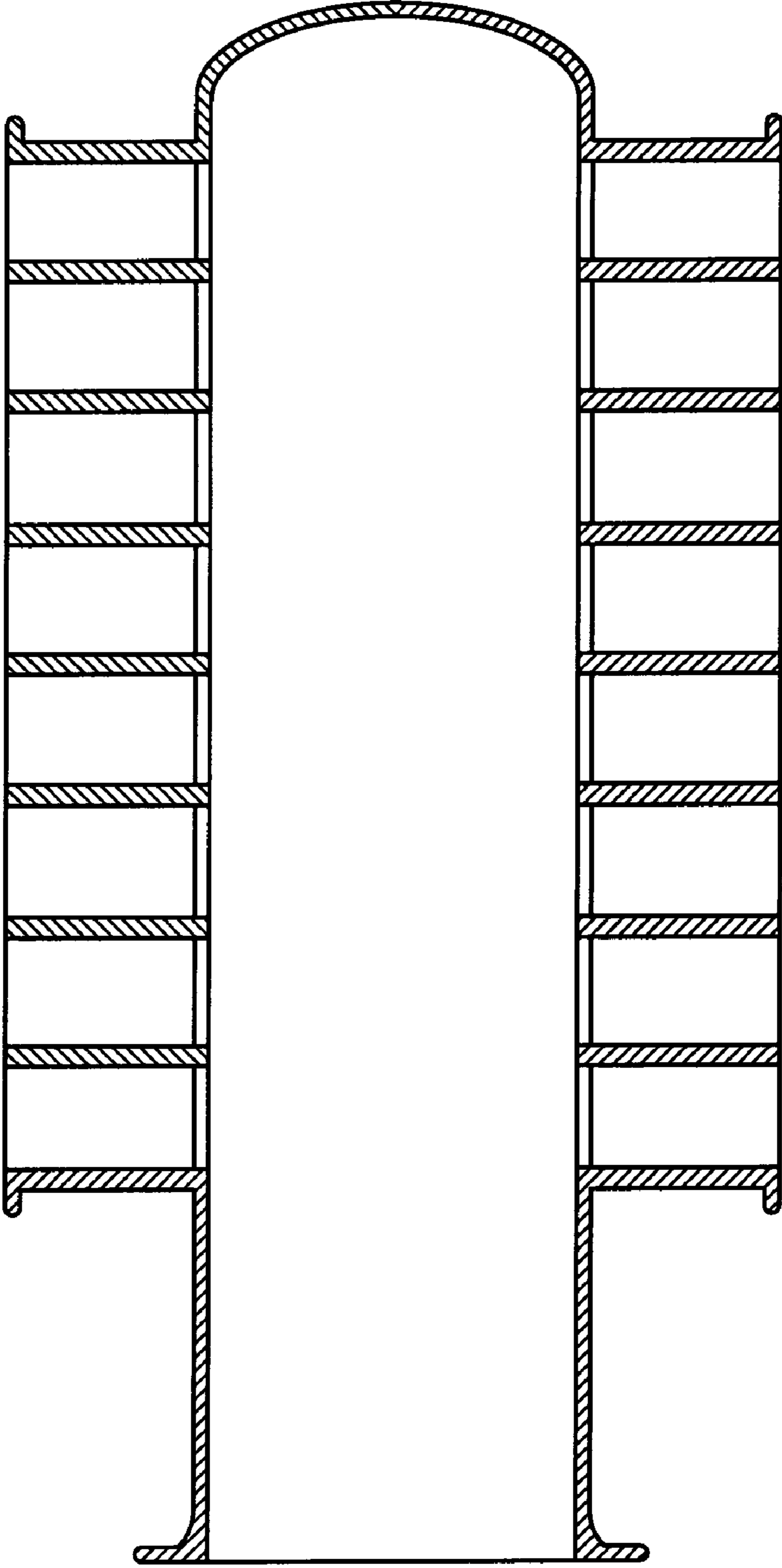


FIG. 8

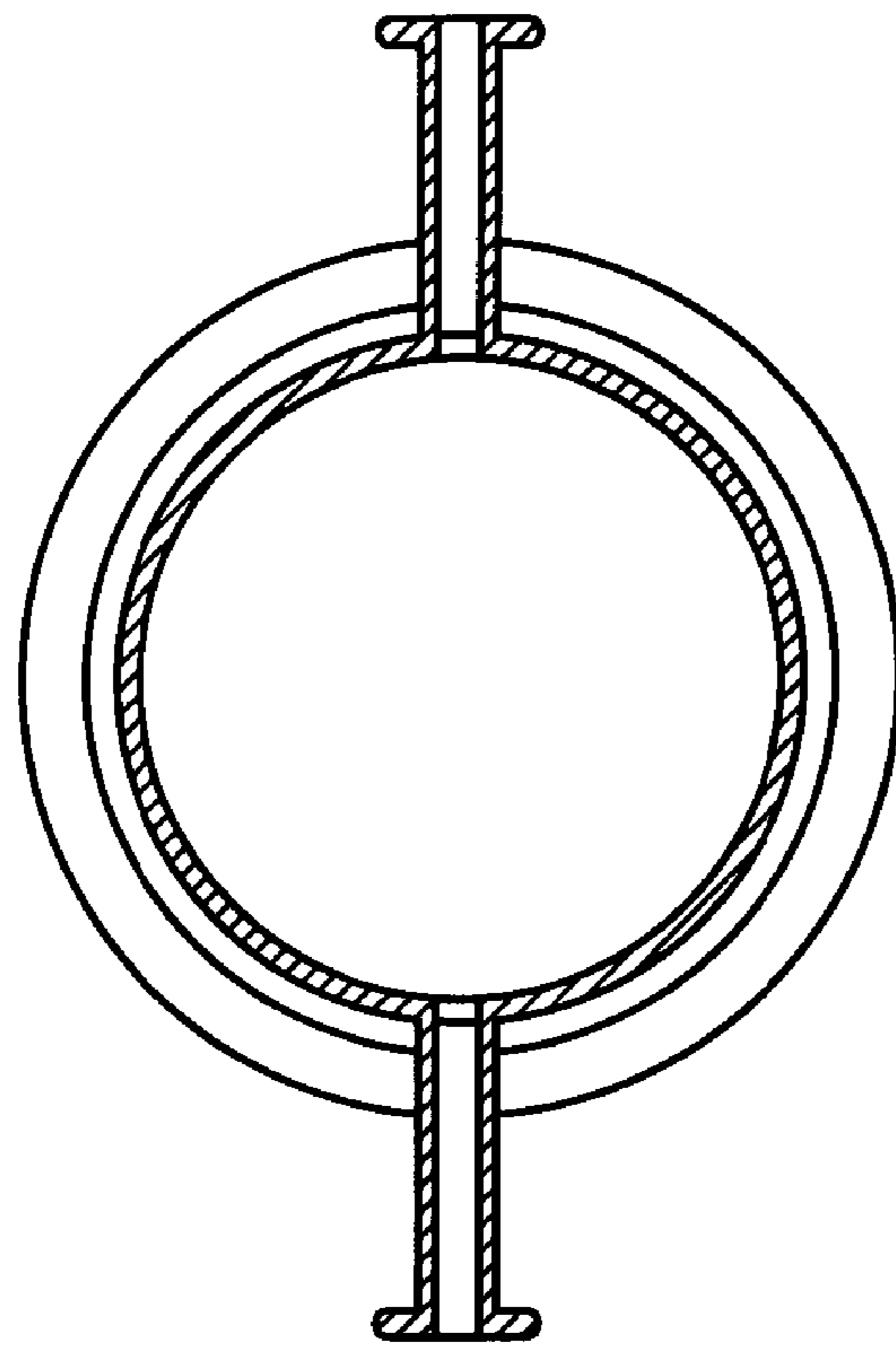


FIG. 9