



US00D618636S

(12) **United States Design Patent**
Hsieh

(10) **Patent No.:** **US D618,636 S**
(45) **Date of Patent:** **** Jun. 29, 2010**

(54) **LIGHT EMITTING DIODE LAMP**
(75) Inventor: **Chung-Chuan Hsieh, Tu Chen (TW)**
(73) Assignee: **Everlight Electronics Co., Ltd., Taipei (TW)**
(**) Term: **14 Years**
(21) Appl. No.: **29/345,871**
(22) Filed: **Oct. 23, 2009**

2004/0136197	A1 *	7/2004	Ishida	362/487
2004/0196663	A1 *	10/2004	Ishida et al.	362/539
2007/0205419	A1 *	9/2007	Ono et al.	257/79
2007/0241362	A1 *	10/2007	Han et al.	257/100
2008/0054280	A1 *	3/2008	Reginelli et al.	257/98
2008/0054286	A1 *	3/2008	Loh et al.	257/98
2008/0087907	A1 *	4/2008	Park et al.	257/98

FOREIGN PATENT DOCUMENTS

JP	D1237837	4/2005
JP	D1284040	10/2006
JP	D1317758	12/2007

* cited by examiner

Primary Examiner—Selina Sikder
(74) *Attorney, Agent, or Firm*—Rabin & Berdo, PC

(30) **Foreign Application Priority Data**
Sep. 25, 2009 (TW) 98304531
(51) **LOC (9) Cl.** **13-03**
(52) **U.S. Cl.** **D13/180**
(58) **Field of Classification Search** D13/180;
D26/2; 257/79, 80, 81, 88, 89, 95, 98, 99,
257/100, E33.058; 313/483, 498, 500; 362/555,
362/800
See application file for complete search history.

(57) **CLAIM**

The ornamental design for a light emitting diode lamp, as shown and described.

DESCRIPTION

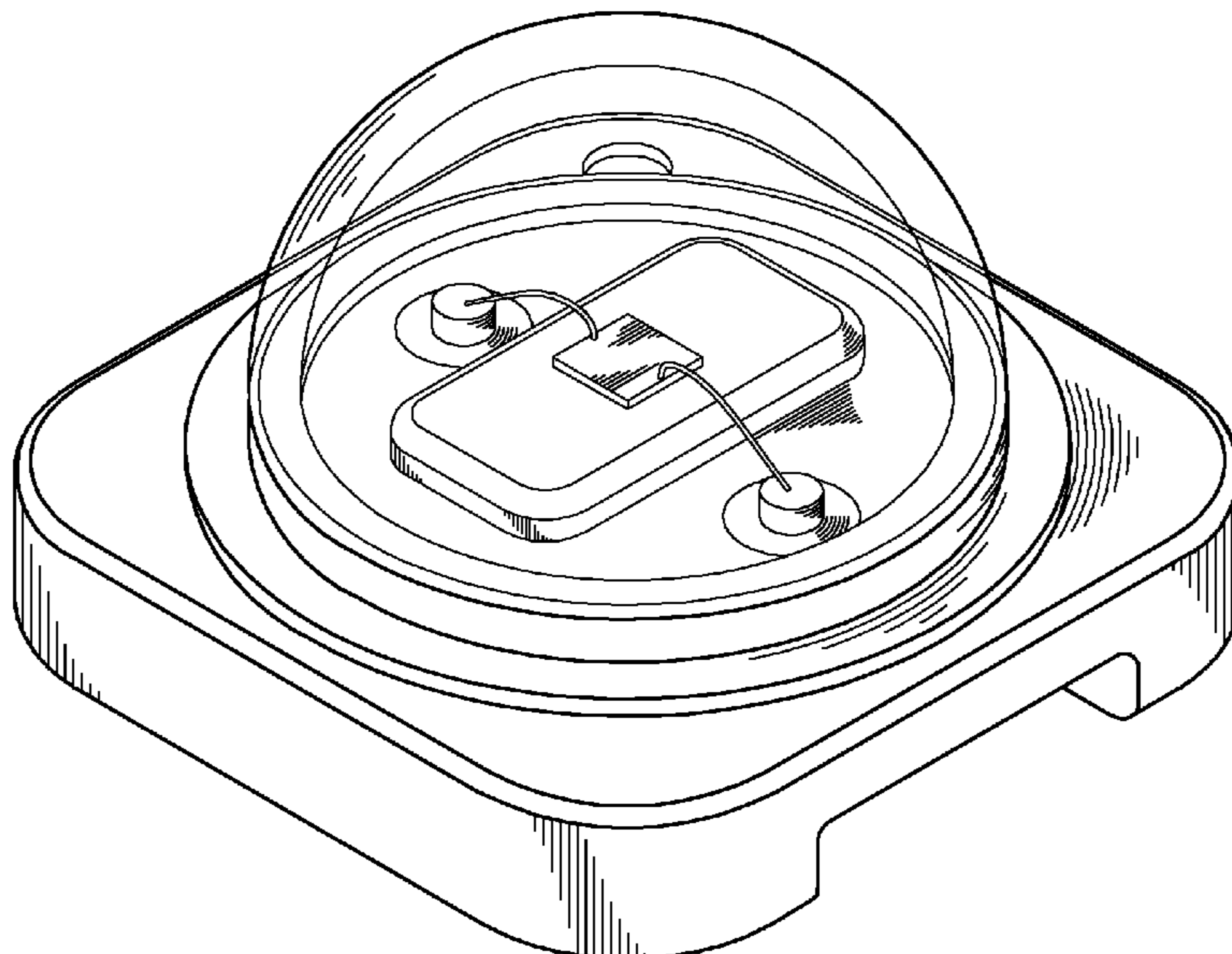
FIG. 1 is a perspective view of the front, top and right side of a light emitting diode lamp showing my new design;
FIG. 2 is a front elevational view thereof;
FIG. 3 is a left side elevational view thereof;
FIG. 4 is a right side elevational view thereof;
FIG. 5 is a top plan view thereof;
FIG. 6 is a bottom plan view thereof;
FIG. 7 is a cross-sectional view thereof, taken on line A—A of FIG. 5;
FIG. 8 is a cross-sectional view thereof, taken on line B—B of FIG. 5; and,
FIG. 9 is a perspective view of the rear, bottom and left side thereof.

(56) **References Cited**

U.S. PATENT DOCUMENTS

5,722,760	A *	3/1998	Chien	362/84
6,061,160	A *	5/2000	Maruyama	398/201
6,770,498	B2 *	8/2004	Hsu	438/26
D502,150	S	2/2005	Suenaga		
D511,149	S	11/2005	Suenaga		
D524,260	S	7/2006	Ishizaka et al.		
7,211,835	B2 *	5/2007	Ono	257/99
D573,114	S *	7/2008	Min et al.	D13/180
D574,336	S *	8/2008	Okada et al.	D13/180
D578,226	S	10/2008	West et al.		
7,470,936	B2 *	12/2008	Takekuma	257/98
D584,699	S *	1/2009	Bando	D13/180
D598,871	S *	8/2009	Eberle et al.	D13/180
2004/0041222	A1 *	3/2004	Loh	257/433

1 Claim, 5 Drawing Sheets



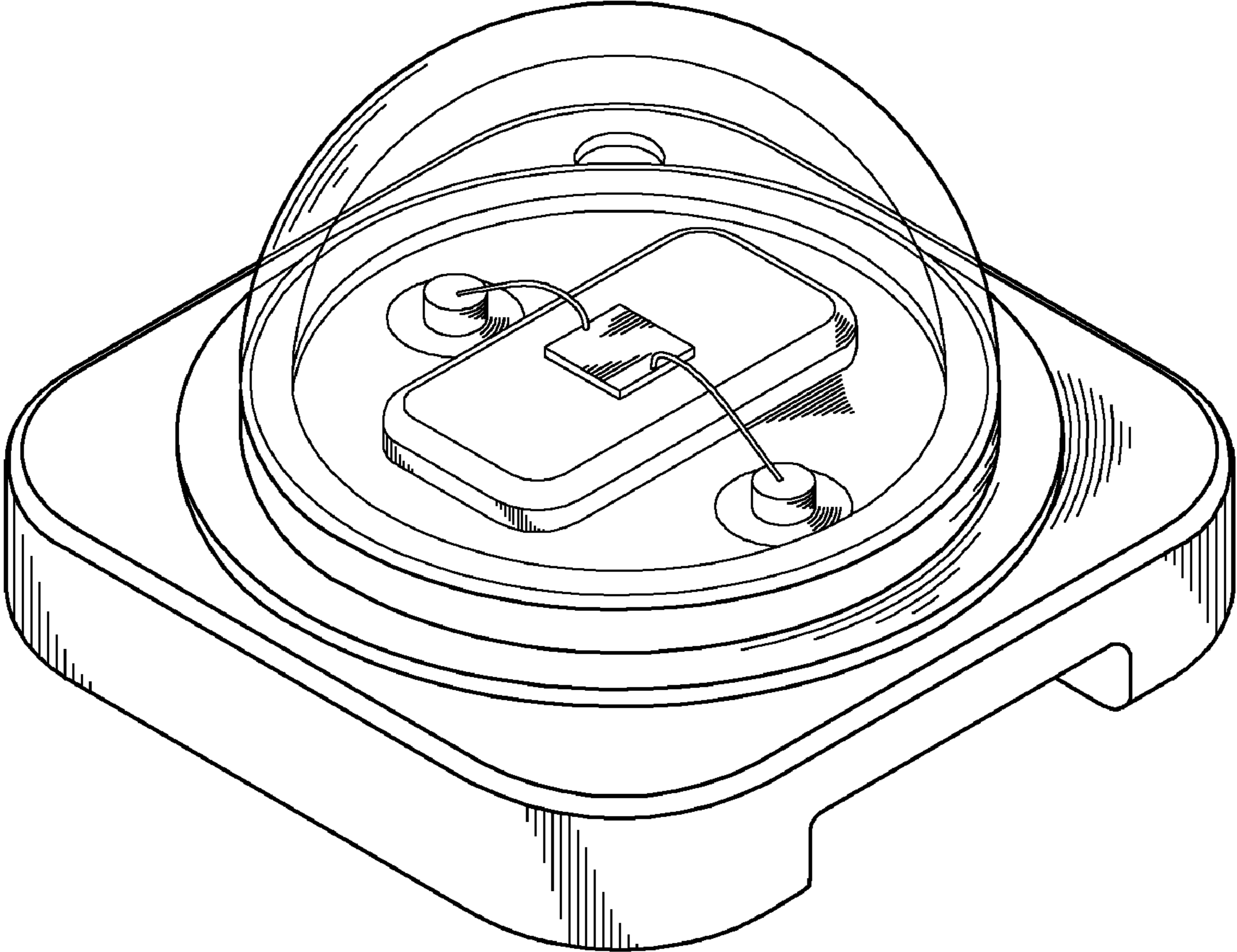


FIG. 1

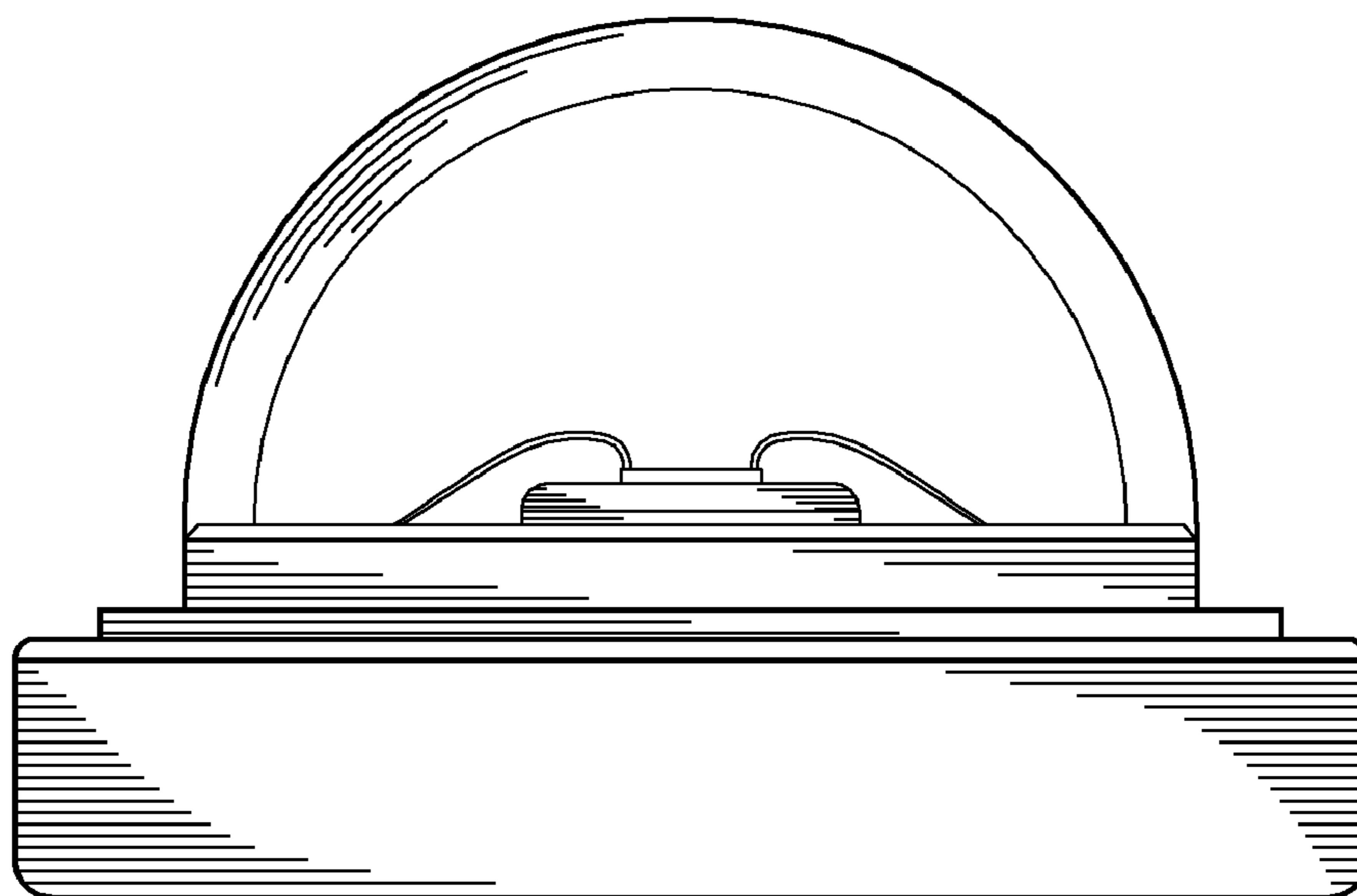


FIG. 2

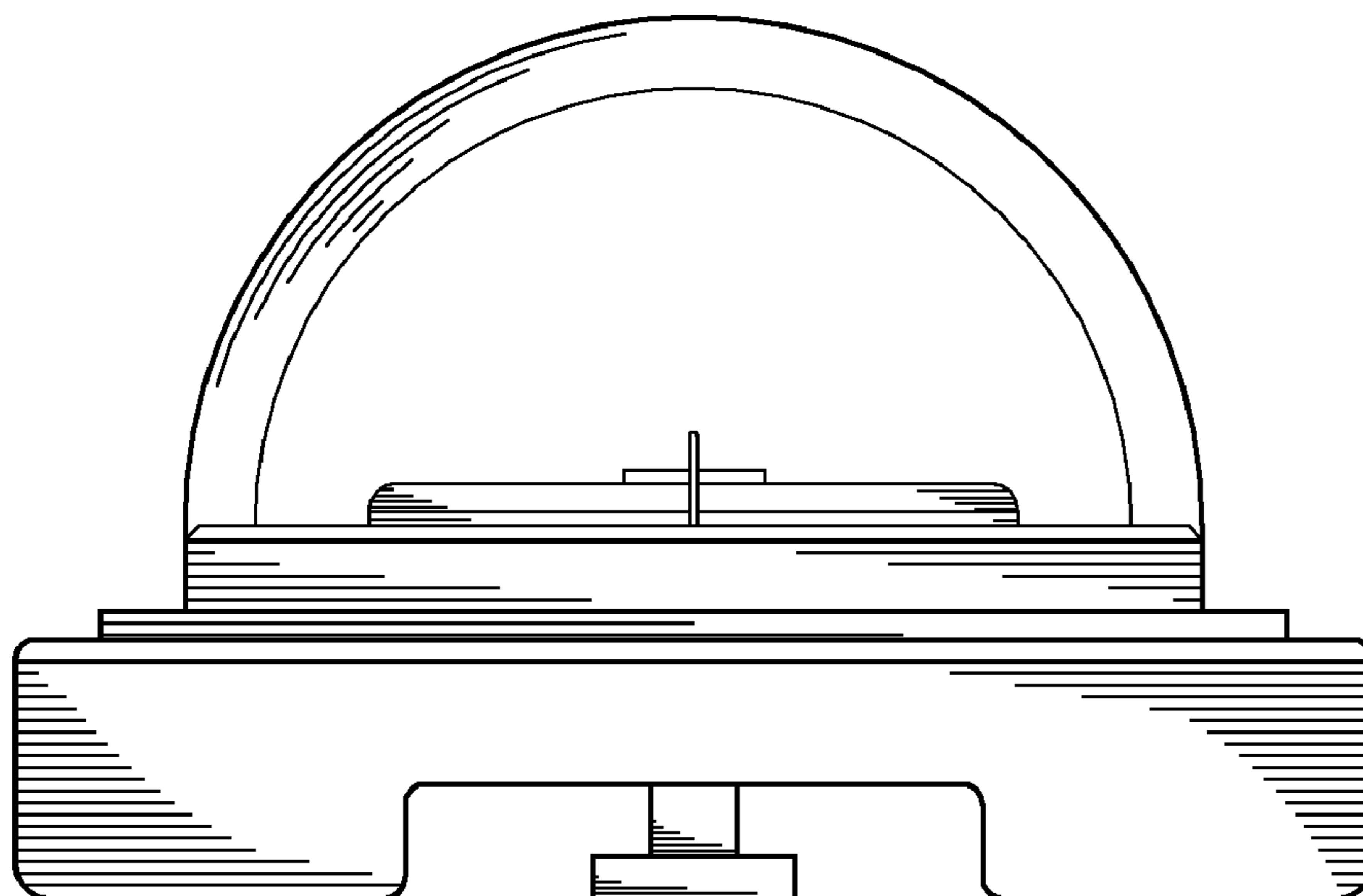


FIG. 3

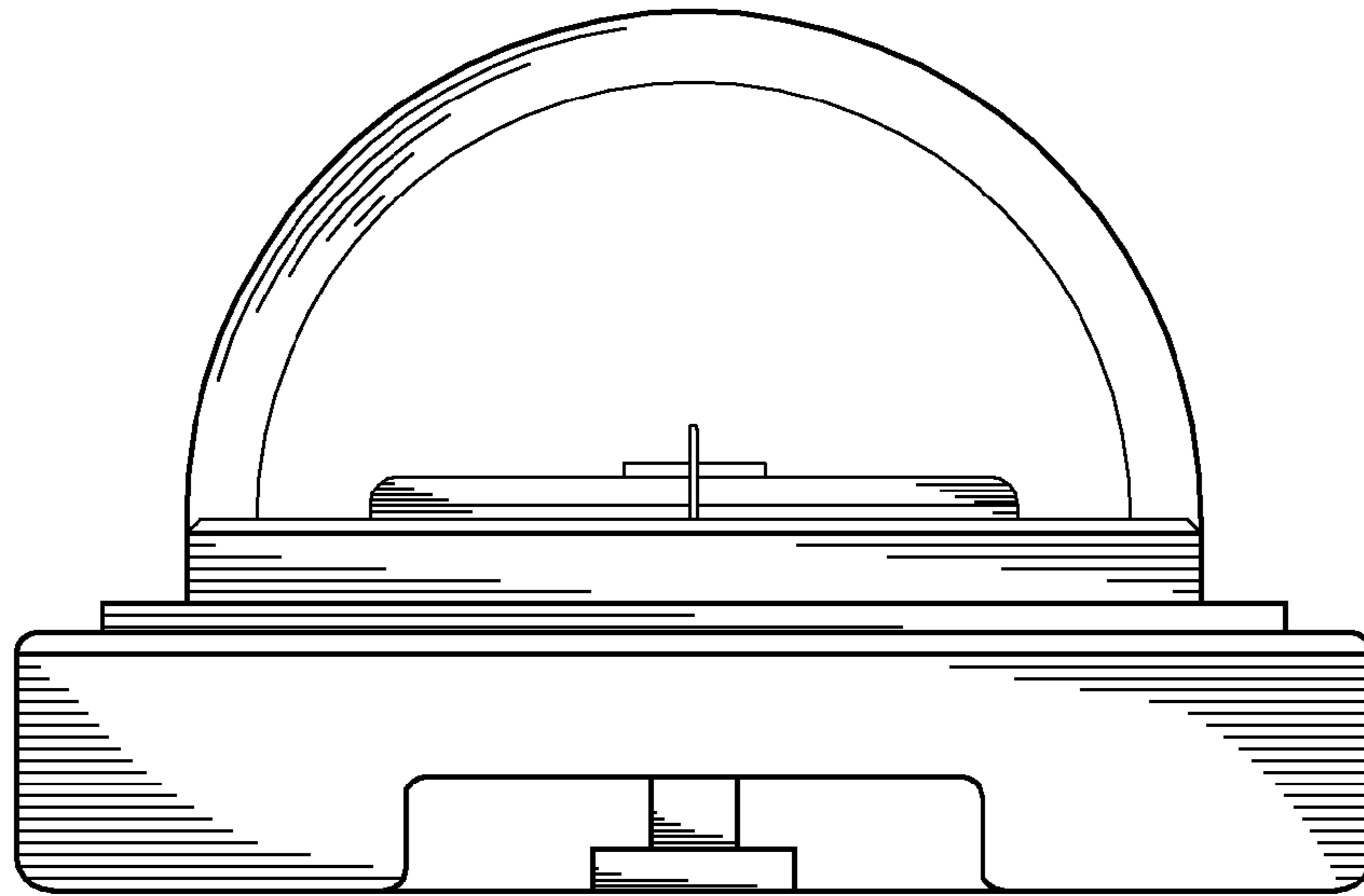


FIG. 4

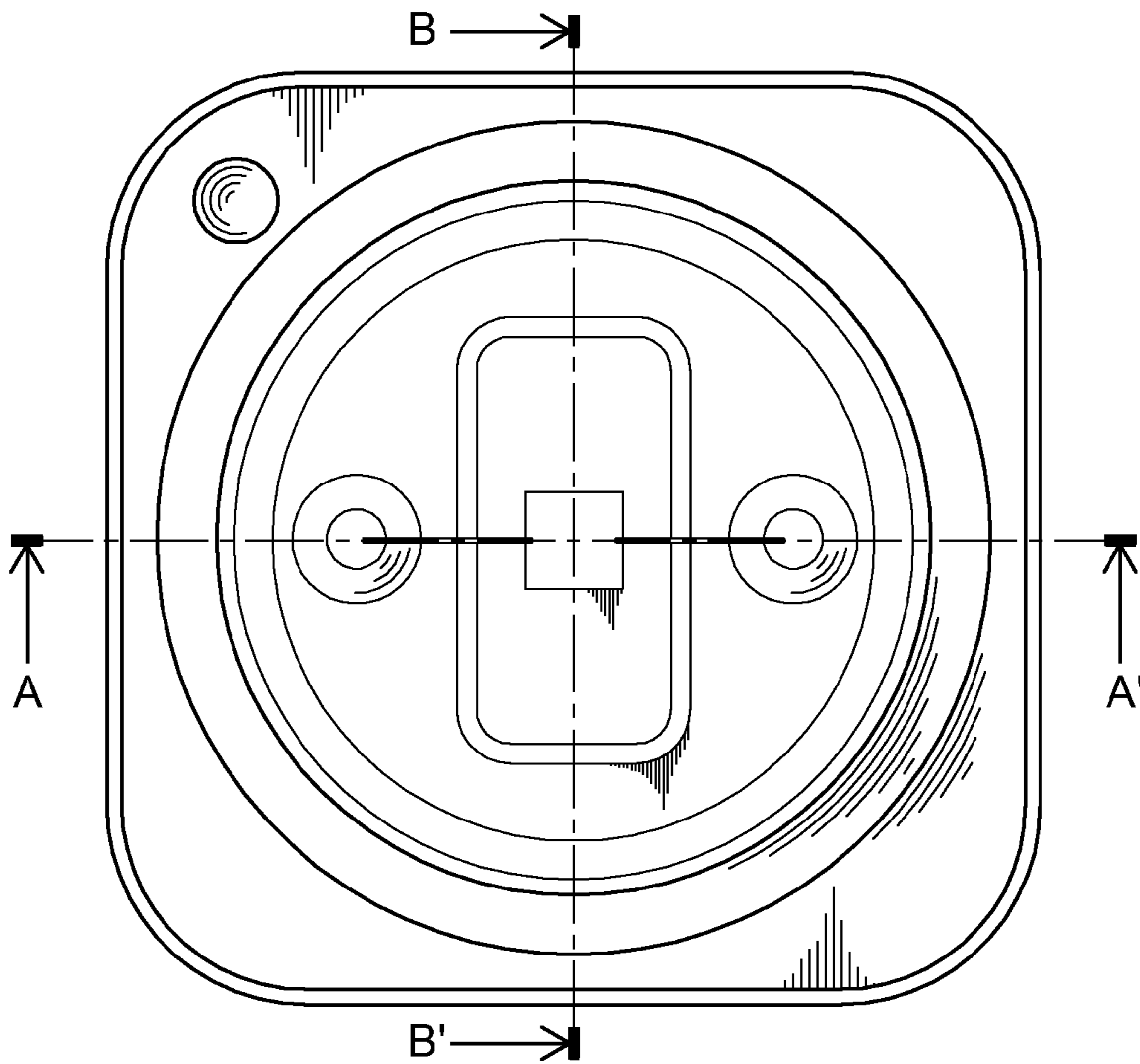


FIG. 5

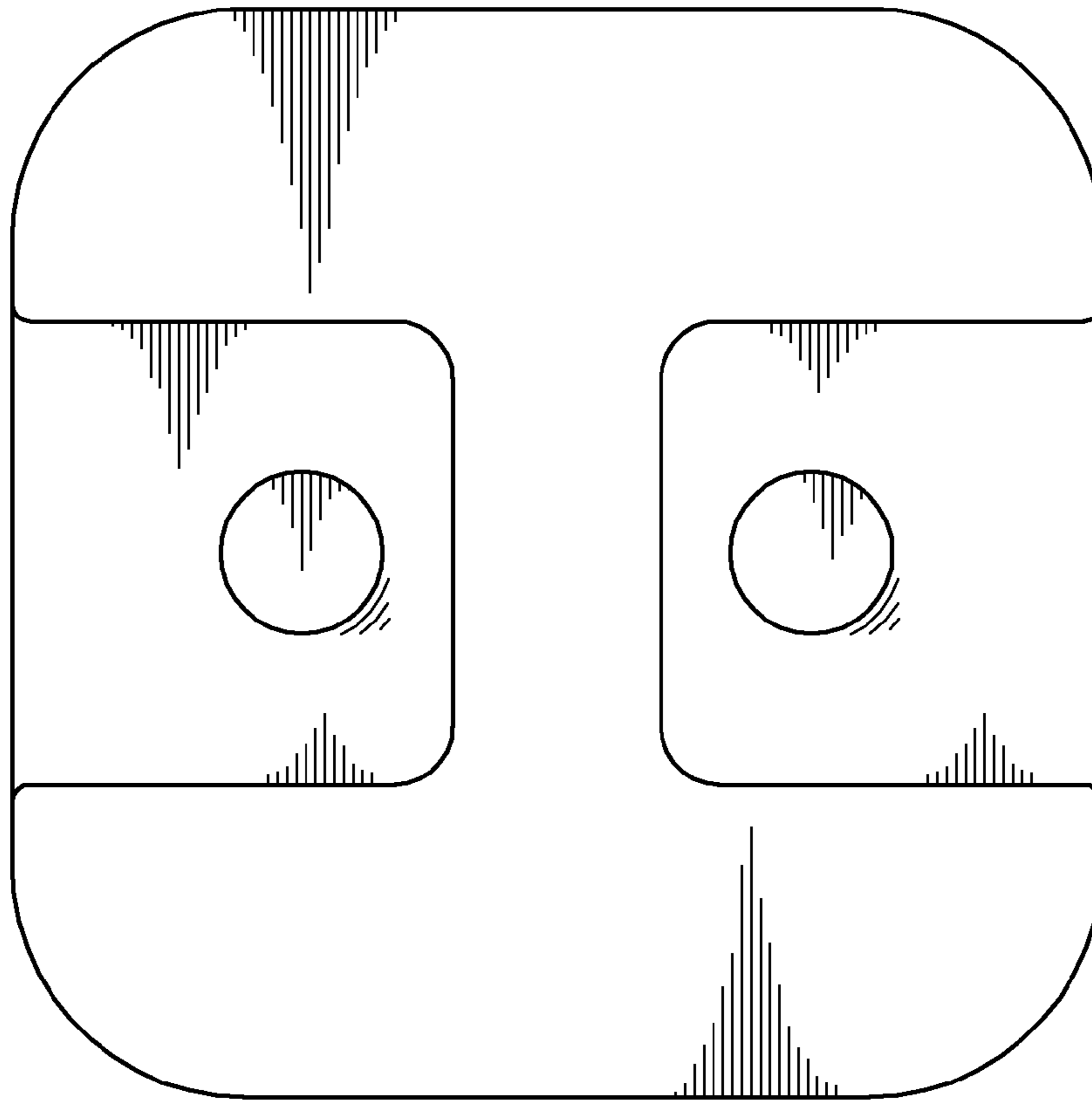


FIG. 6

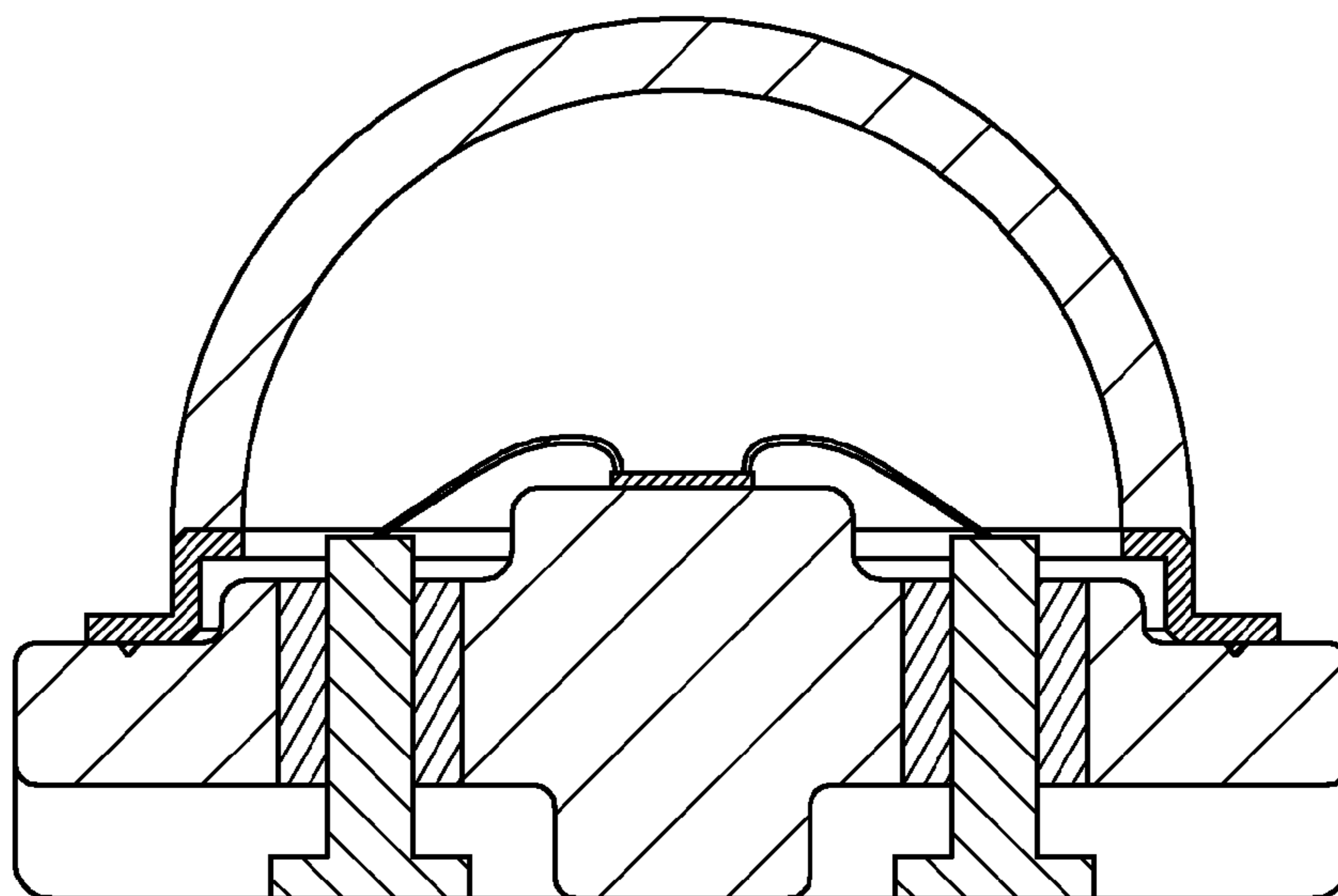


FIG. 7

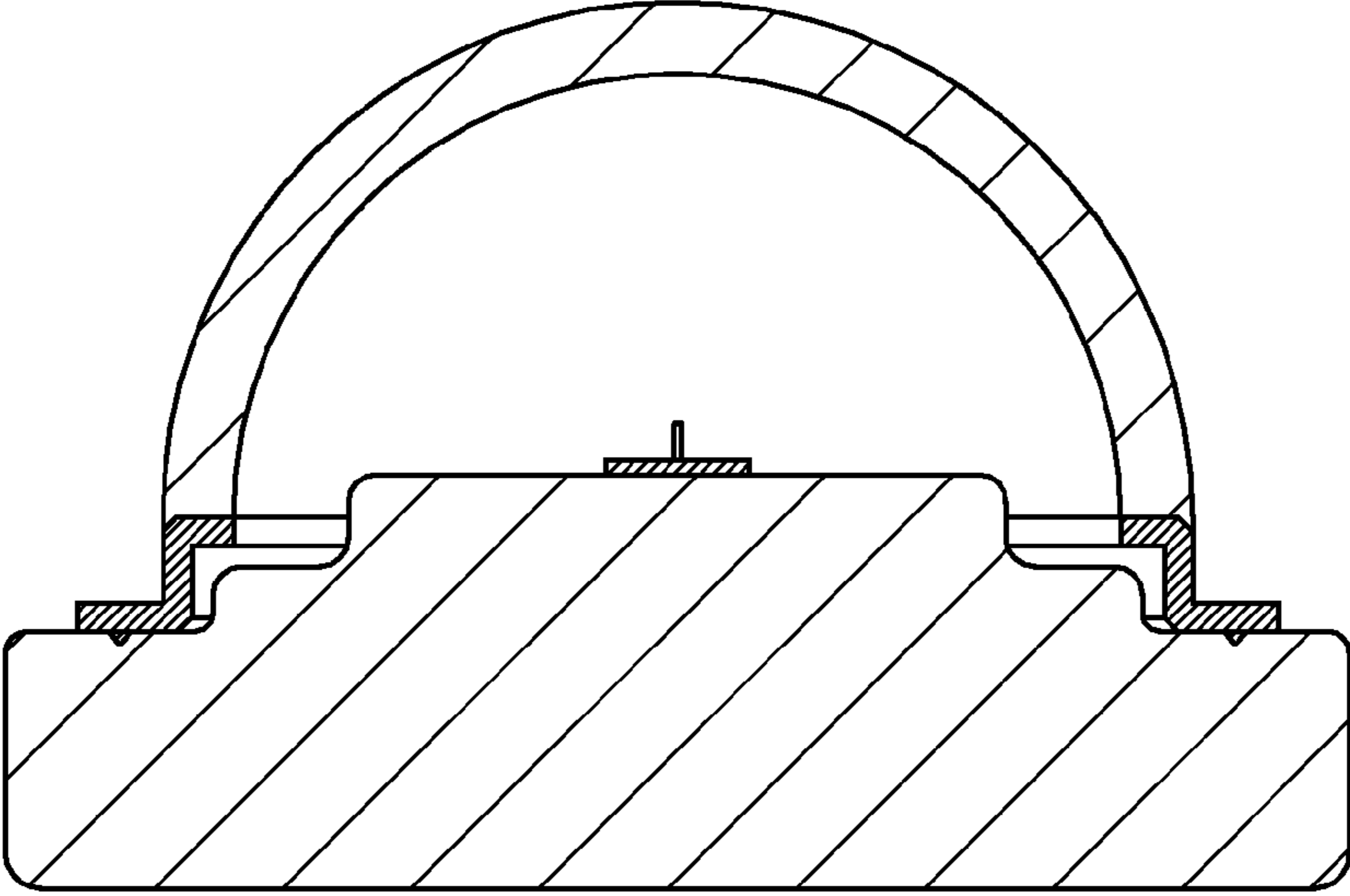


FIG. 8

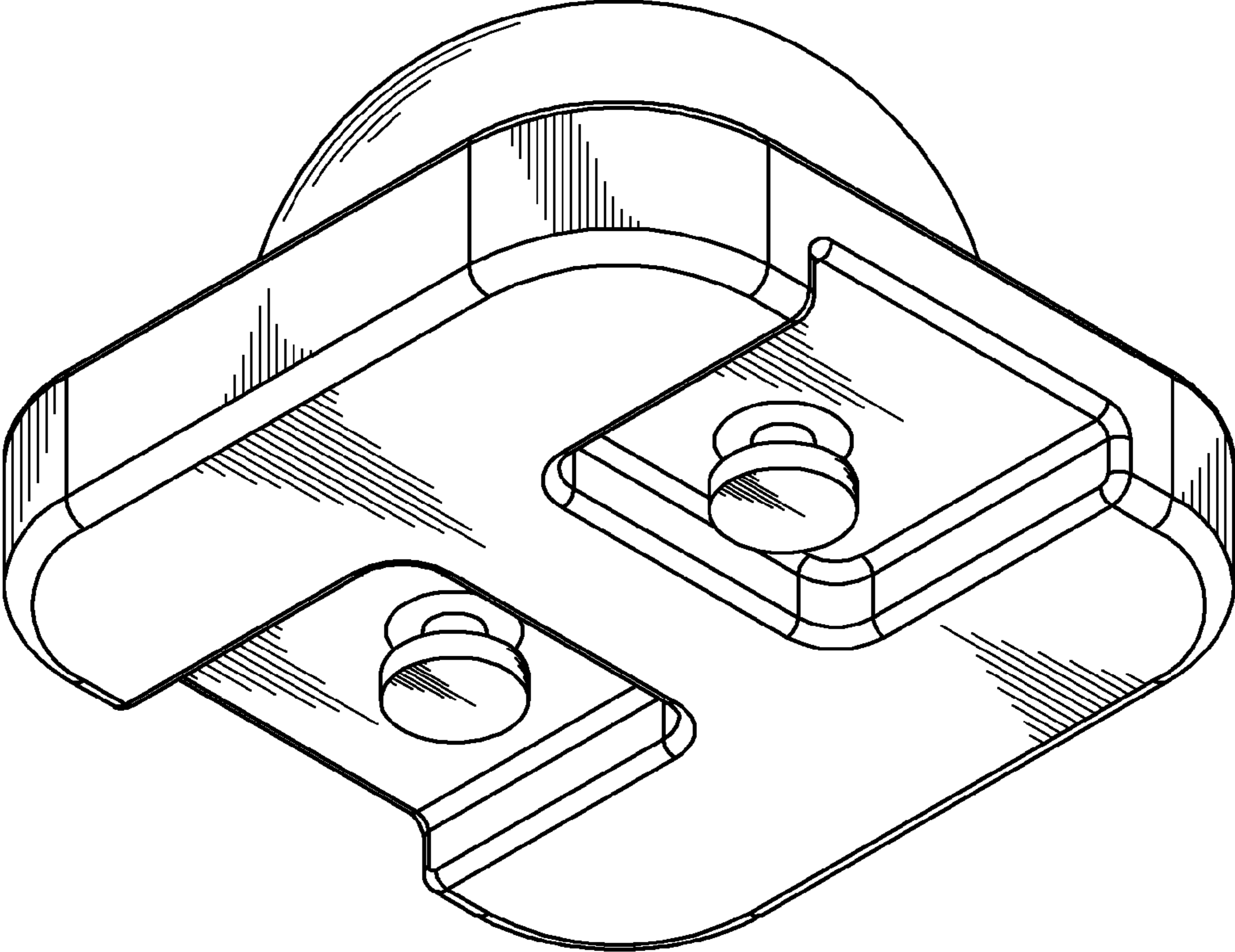


FIG. 9