



US00D618635S

(12) **United States Design Patent**
Imai et al.

(10) **Patent No.:** **US D618,635 S**
(45) **Date of Patent:** **** Jun. 29, 2010**

- (54) **LIGHT-EMITTING DIODE FOR ILLUMINATING AN OBJECT**
- (75) Inventors: **Sadato Imai**, Hachioji (JP); **Tsubasa Fujiwara**, Sagamihara (JP)
- (73) Assignee: **Citizen Electronics Co., Ltd.**, Yamanashi (JP)
- (**) Term: **14 Years**
- (21) Appl. No.: **29/343,500**
- (22) Filed: **Sep. 14, 2009**

Related U.S. Application Data

- (62) Division of application No. 29/319,229, filed on Jun. 5, 2008, now Pat. No. Des. 607,420.

(30) **Foreign Application Priority Data**

- Dec. 5, 2007 (JP) 2007-033317
- Dec. 5, 2007 (JP) 2007-033319

- (51) **LOC (9) Cl.** **13-03**
- (52) **U.S. Cl.** **D13/180**
- (58) **Field of Classification Search** D13/180;
D26/2; 257/79, 80, 81, 88, 89, 95, 98, 99,
257/100, E33.058; 313/483, 498, 500; 362/555,
362/800
See application file for complete search history.

(56) **References Cited**

U.S. PATENT DOCUMENTS

- 6,885,034 B1 * 4/2005 Schoenfeld 257/98
- D505,661 S * 5/2005 Suenaga D13/180
- D515,043 S 2/2006 Ishizaka
- D517,026 S * 3/2006 Suenaga D13/180
- D524,260 S * 7/2006 Ishizaka et al. D13/180
- D541,761 S 5/2007 Saito et al.

- D570,796 S 6/2008 Kim
- D573,553 S 7/2008 Uemoto et al.
- D575,245 S * 8/2008 Yen D13/180
- D576,576 S 9/2008 Shida et al.
- D586,303 S * 2/2009 Fuwa et al. D13/180
- D591,248 S * 4/2009 Imai et al. D13/180
- D592,615 S * 5/2009 Imai et al. D13/180
- 7,635,875 B2 * 12/2009 Niki et al. 257/98
- D607,420 S * 1/2010 Imai et al. D13/180
- 2004/0201987 A1 10/2004 Omata

* cited by examiner

Primary Examiner—Selina Sikder

(74) *Attorney, Agent, or Firm*—Browdy and Neimark, PLLC

(57) **CLAIM**

The ornamental design for a light-emitting diode for illuminating an object, as shown and described here.

DESCRIPTION

FIG. 1 is a perspective view of light-emitting diode for illuminating an object in accordance to the present design as viewed from front;

FIG. 2 is a front elevation view, the rear elevation view being a mirror image thereof;

FIG. 3 is a top plan view thereof;

FIG. 4 is a bottom plan view thereof; and,

FIG. 5 is a right side elevation view, the left side view being a mirror image thereof.

The article is a surface-mount type light-emitting diode for illumination purpose and emits light from the circular-shaped central portion.

The article is widely used in mobile phones as a light source for flash and in various other devices for illumination purpose, and further as a light source in generic illumination.

1 Claim, 2 Drawing Sheets

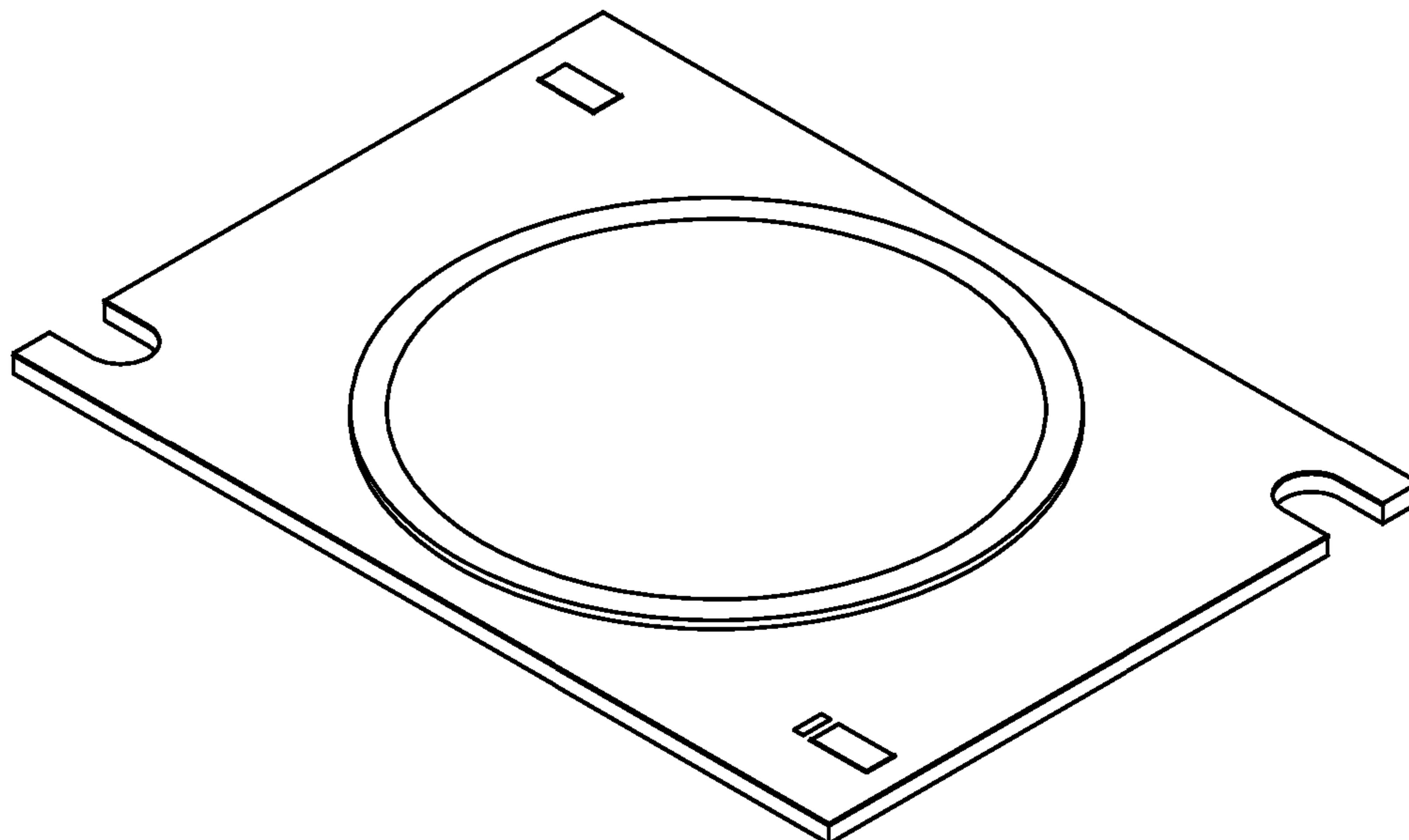


Fig. 1

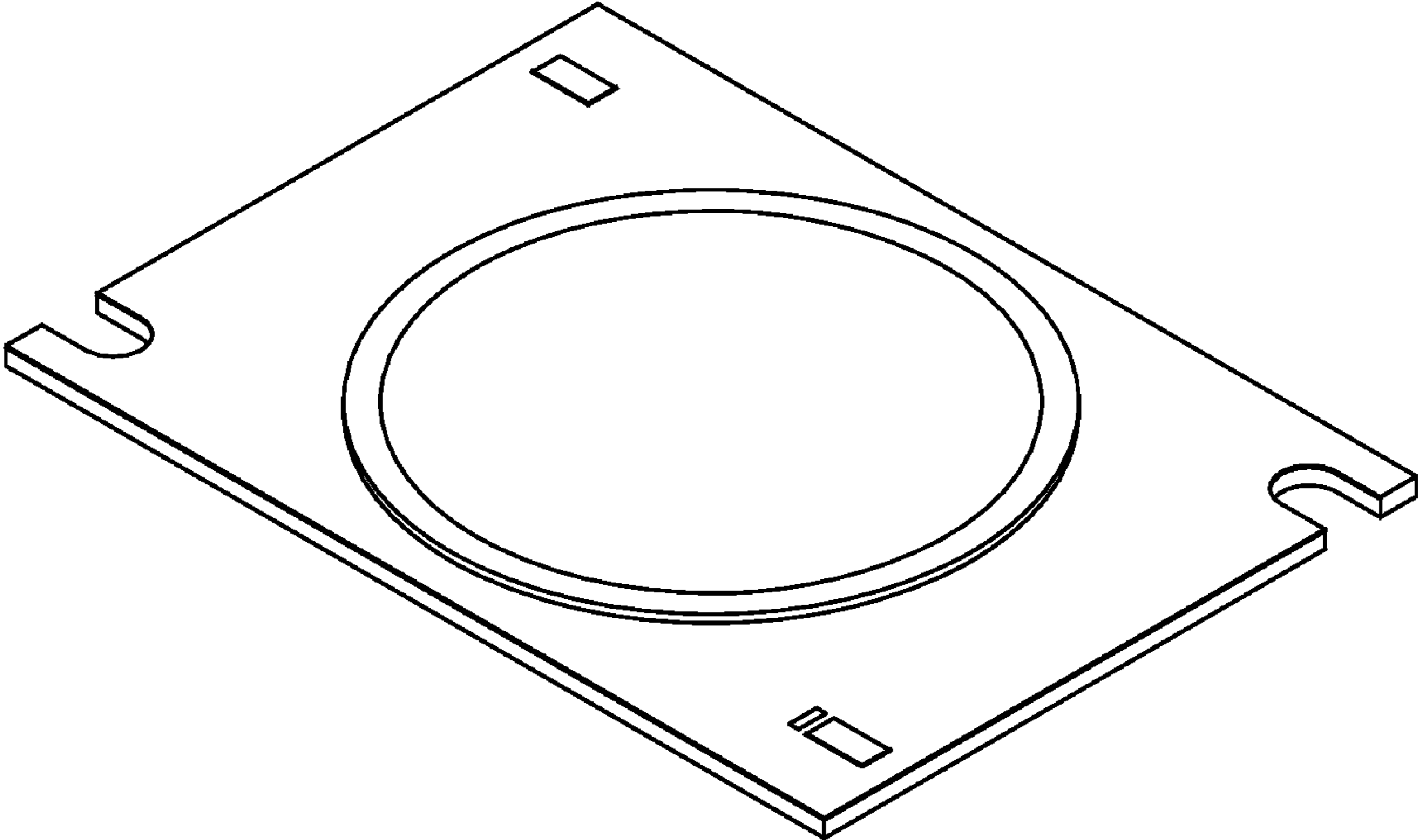


Fig. 2



Fig. 3

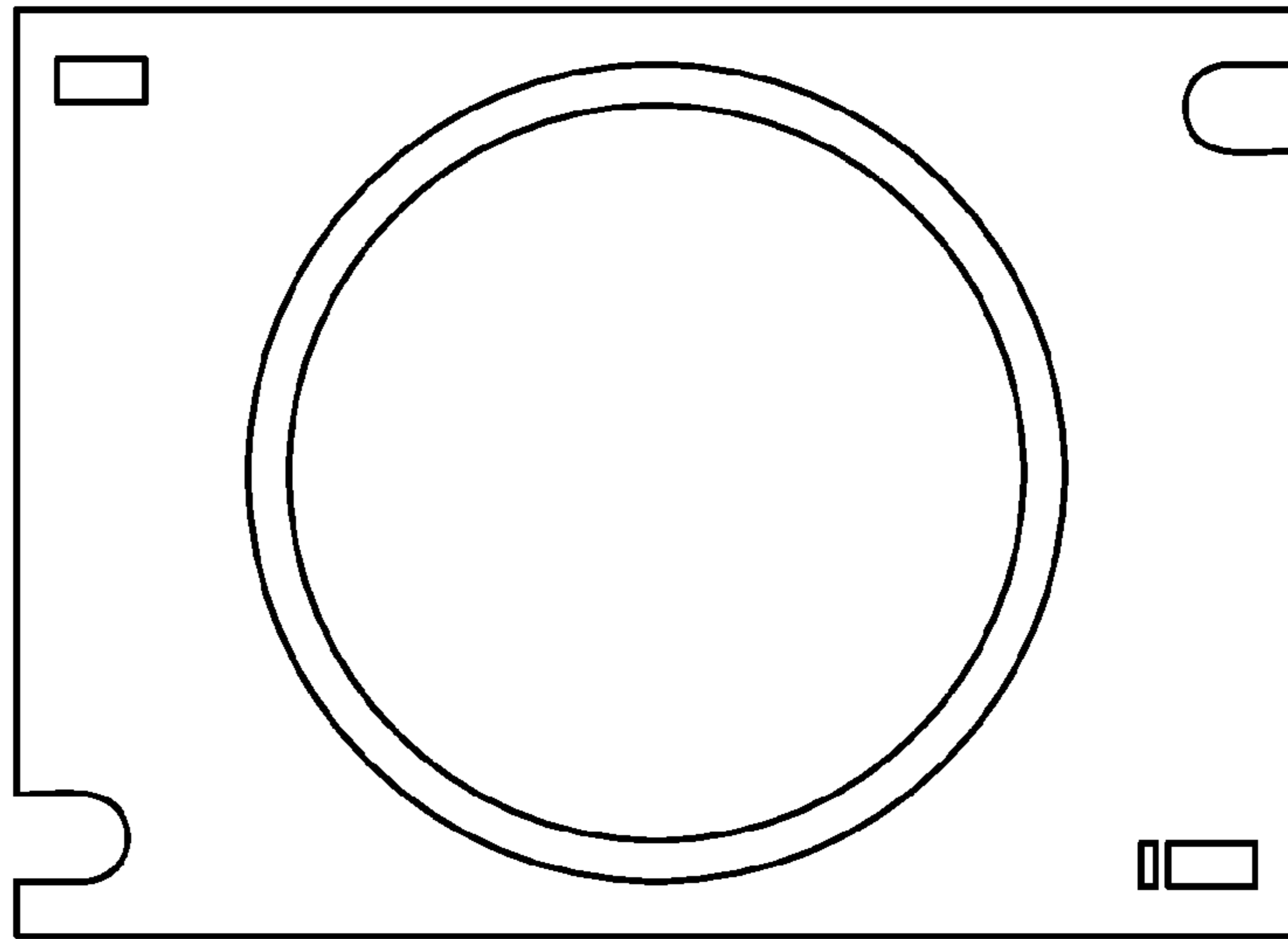


Fig. 4

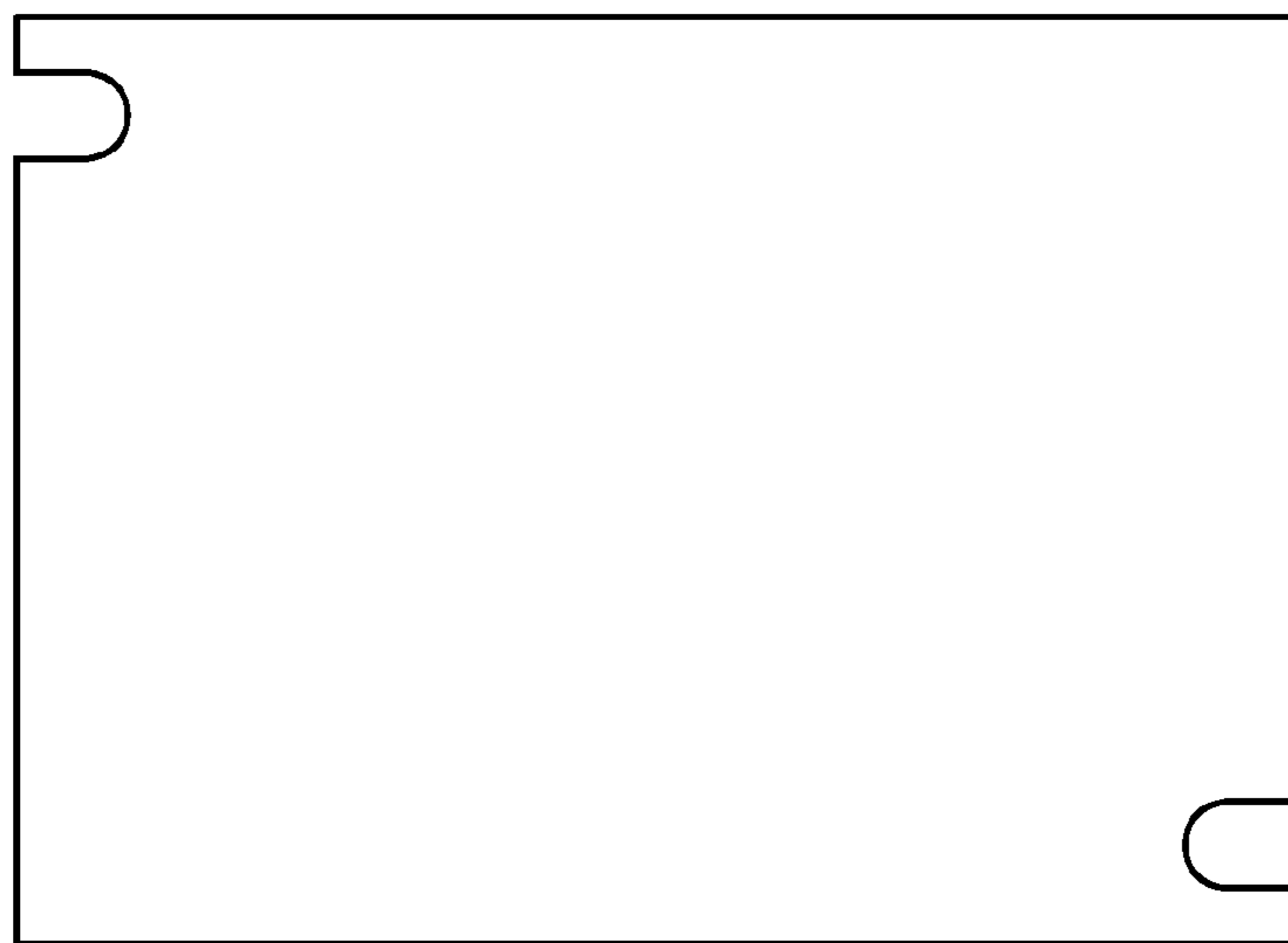


Fig. 5

