



US00D618633S

(12) **United States Design Patent**  
**Lin**

(10) **Patent No.:** **US D618,633 S**  
(45) **Date of Patent:** **\*\* Jun. 29, 2010**

(54) **HEAT DISSIPATION DEVICE**

(75) Inventor: **Shan-Ju Lin**, Miao-Li Hsien (TW)

(73) Assignee: **Foxsemicon Integrated Technology, Inc.**, Chu-Nan, Miao-Li Hsien (TW)

(\*\*) Term: **14 Years**

(21) Appl. No.: **29/346,025**

(22) Filed: **Oct. 26, 2009**

(30) **Foreign Application Priority Data**

Jul. 21, 2009 (CN) ..... 2009 3 0309786

(51) **LOC (9) Cl.** ..... **13-03**

(52) **U.S. Cl.** ..... **D13/179**

(58) **Field of Classification Search** ..... D13/179;  
165/80.3, 104.33, 151, 122, 185; 257/706,  
257/707, 718-722; 361/687, 695, 697, 700,  
361/702, 704, 709, 710, 711, 719, 294, 373;  
313/35, 44, 46, 113; D26/2

See application file for complete search history.

(56) **References Cited**

**U.S. PATENT DOCUMENTS**

7,396,146 B2 \* 7/2008 Wang ..... 362/294  
D579,421 S \* 10/2008 Chu ..... D13/179  
D579,422 S \* 10/2008 Shuai et al. .... D13/179

2007/0236935 A1 \* 10/2007 Wang ..... 362/294  
2008/0158887 A1 \* 7/2008 Zhu et al. .... 362/294  
2008/0175003 A1 \* 7/2008 Tsou et al. .... 362/294  
2009/0147520 A1 \* 6/2009 Liu et al. .... 362/294  
2009/0244899 A1 \* 10/2009 Chyn ..... 362/294  
2009/0279314 A1 \* 11/2009 Wu et al. .... 362/373  
2009/0308575 A1 \* 12/2009 Yao ..... 165/80.3  
2010/0026158 A1 \* 2/2010 Wu ..... 313/46  
2010/0027258 A1 \* 2/2010 Maxik et al. .... 362/240

\* cited by examiner

*Primary Examiner*—Selina Sikder

(74) *Attorney, Agent, or Firm*—Raymond J. Chew

(57) **CLAIM**

The ornamental design for a heat dissipation device, as shown.

**DESCRIPTION**

FIG. 1 is a perspective view of a heat dissipation device showing my new design.

FIG. 2 is a front elevational view thereof.

FIG. 3 is a rear elevational view thereof.

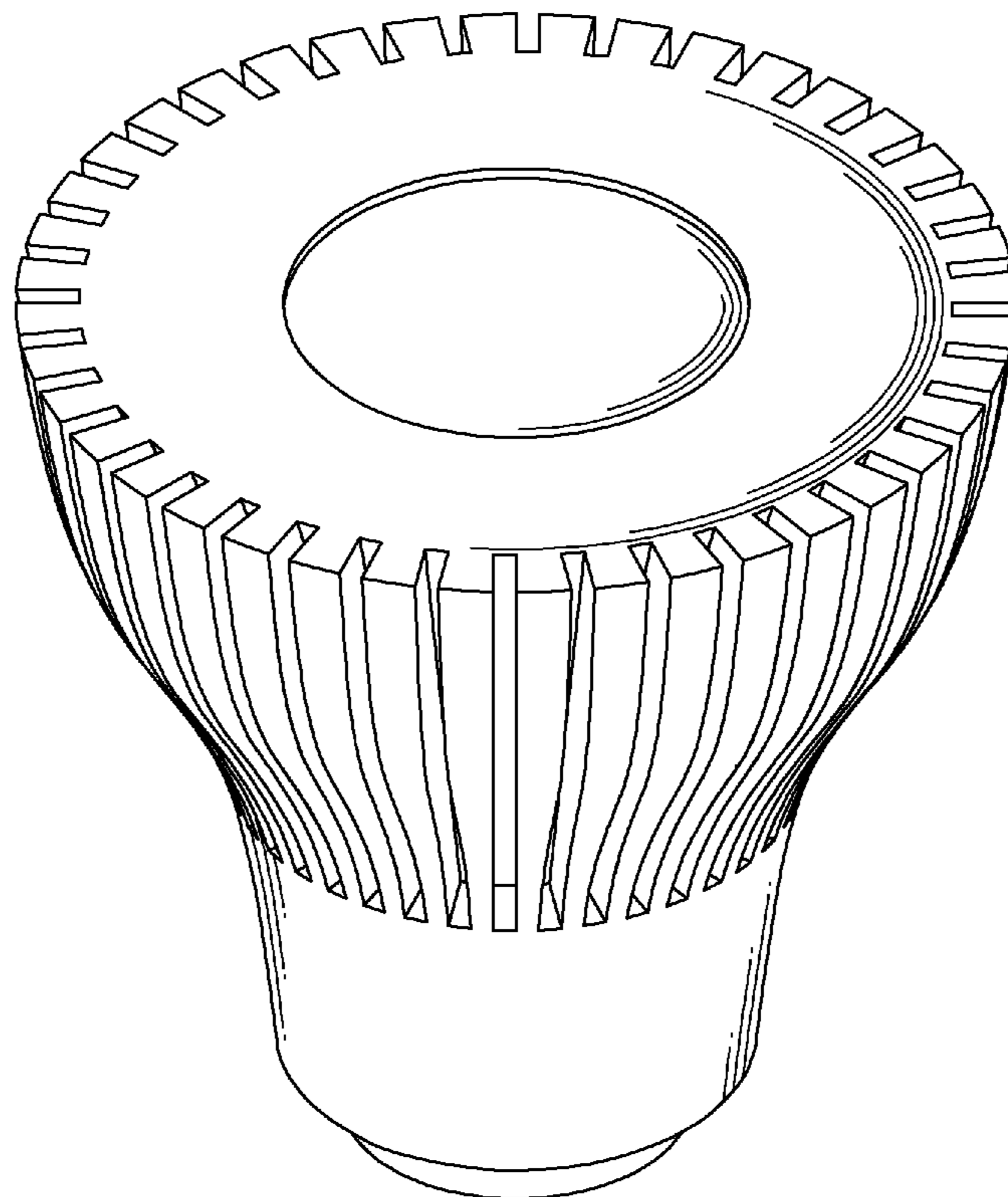
FIG. 4 is a left-side, elevational view thereof.

FIG. 5 is a right-side, elevational view thereof.

FIG. 6 is a top plan view thereof; and,

FIG. 7 is a bottom plan view thereof.

**1 Claim, 7 Drawing Sheets**



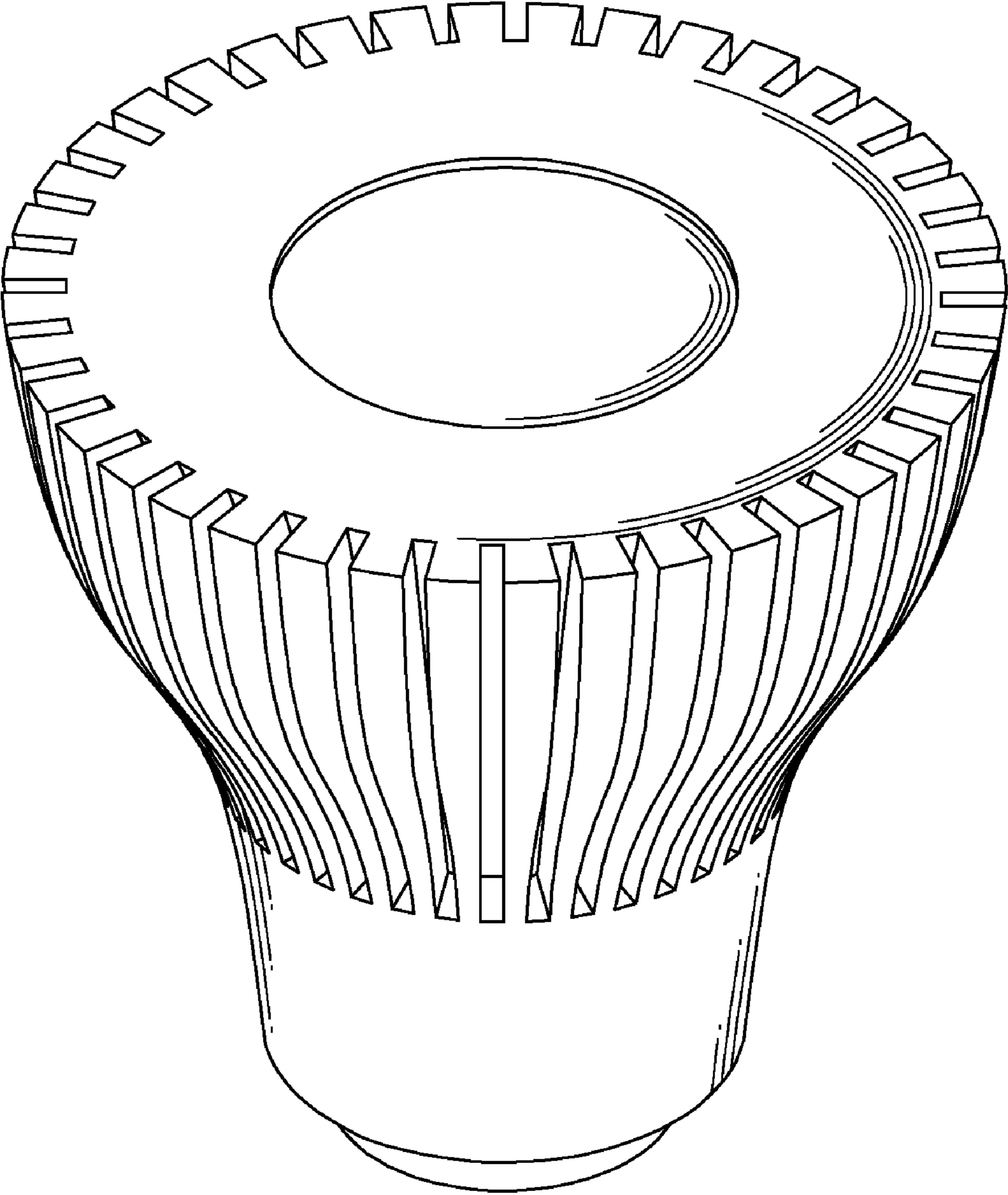


FIG. 1

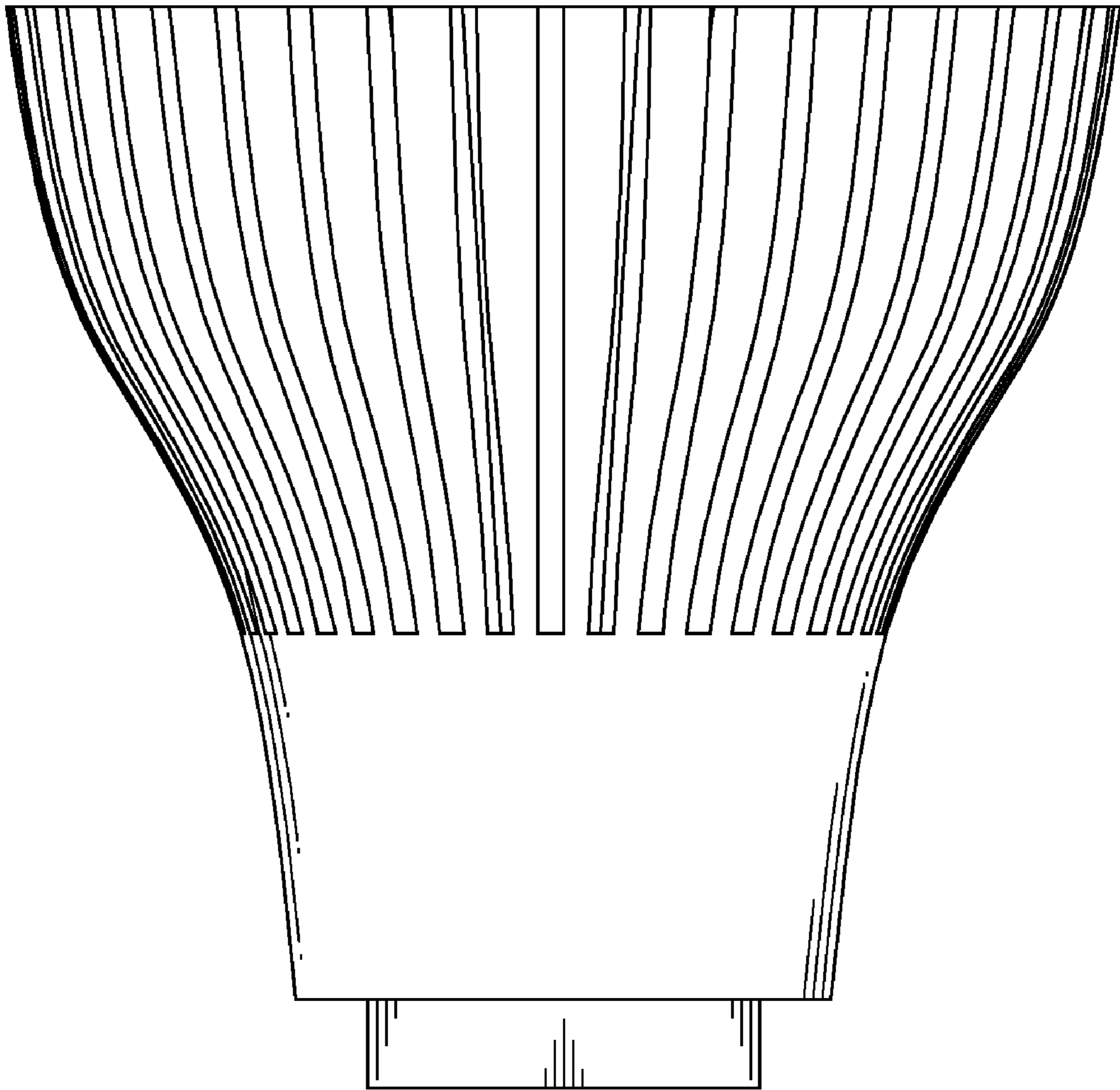


FIG. 2

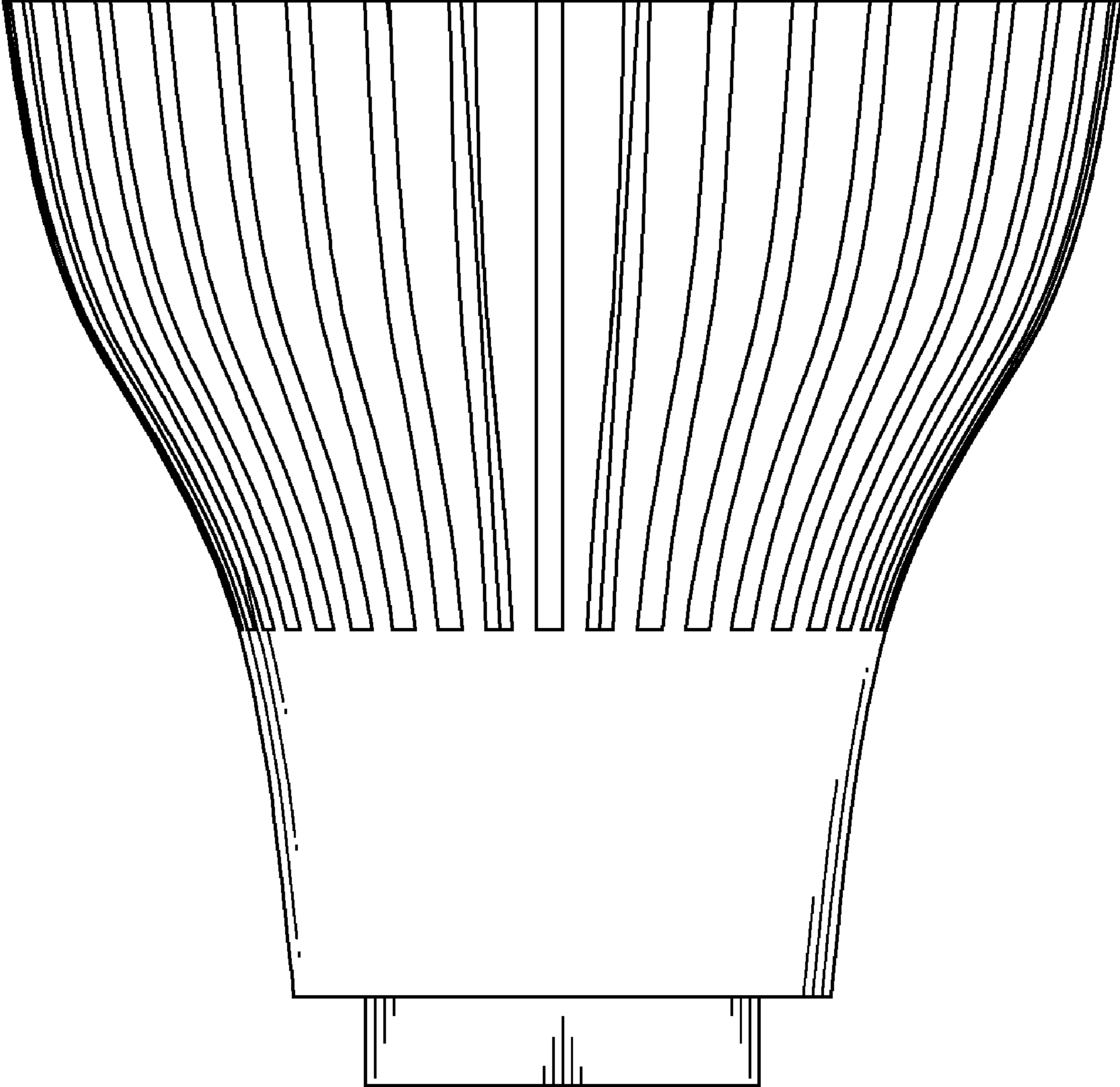


FIG. 3

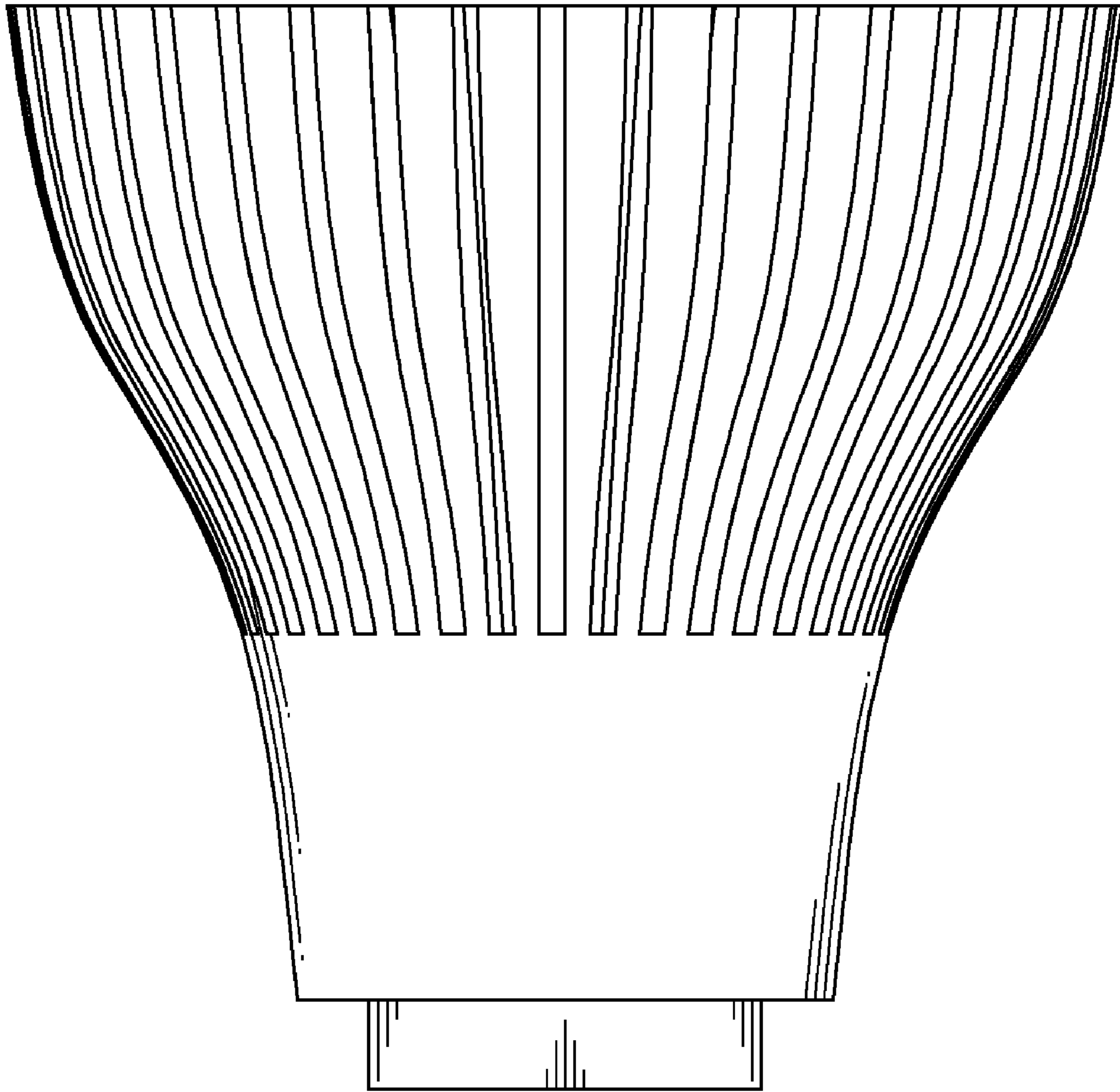


FIG. 4



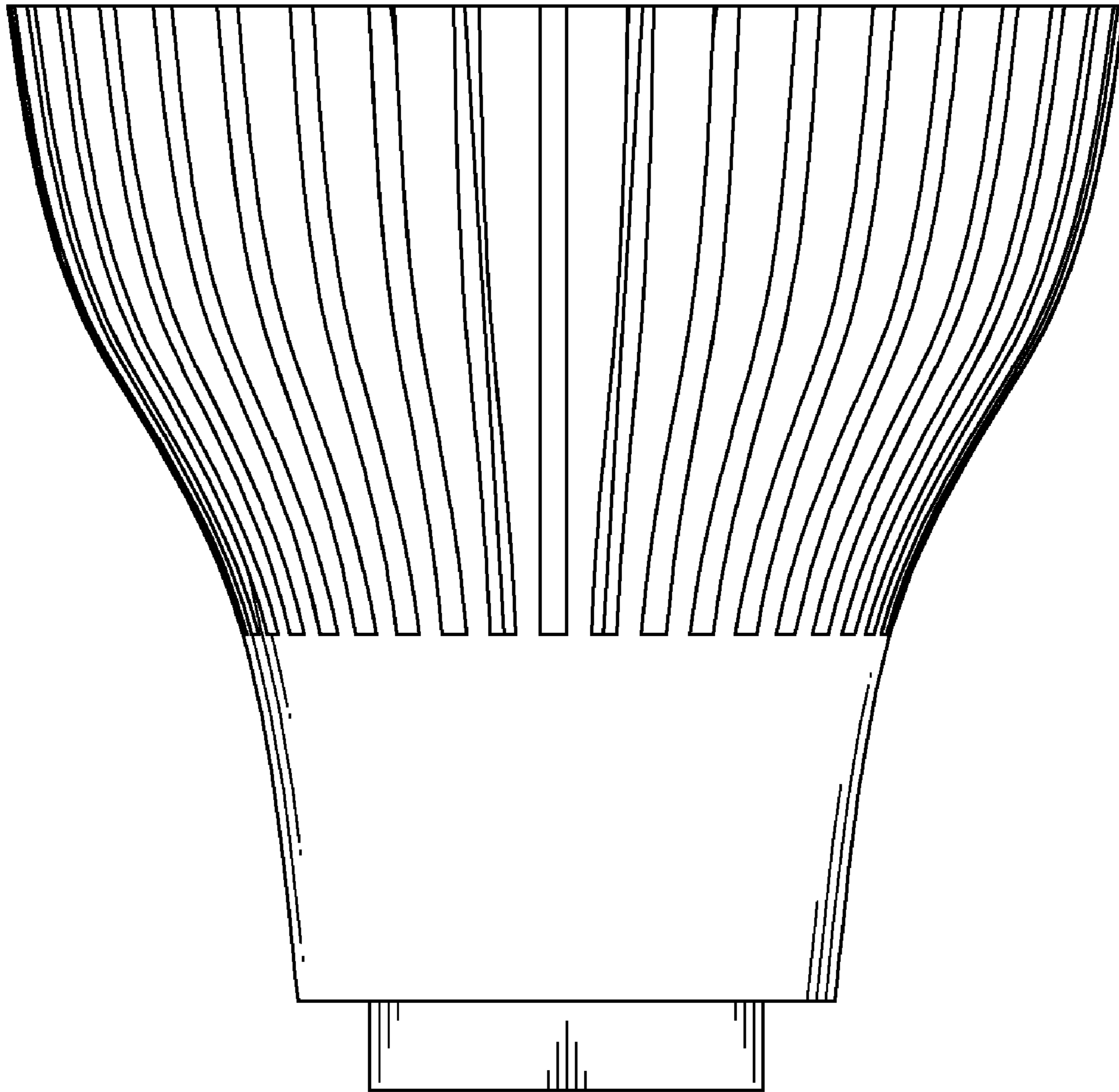


FIG. 5

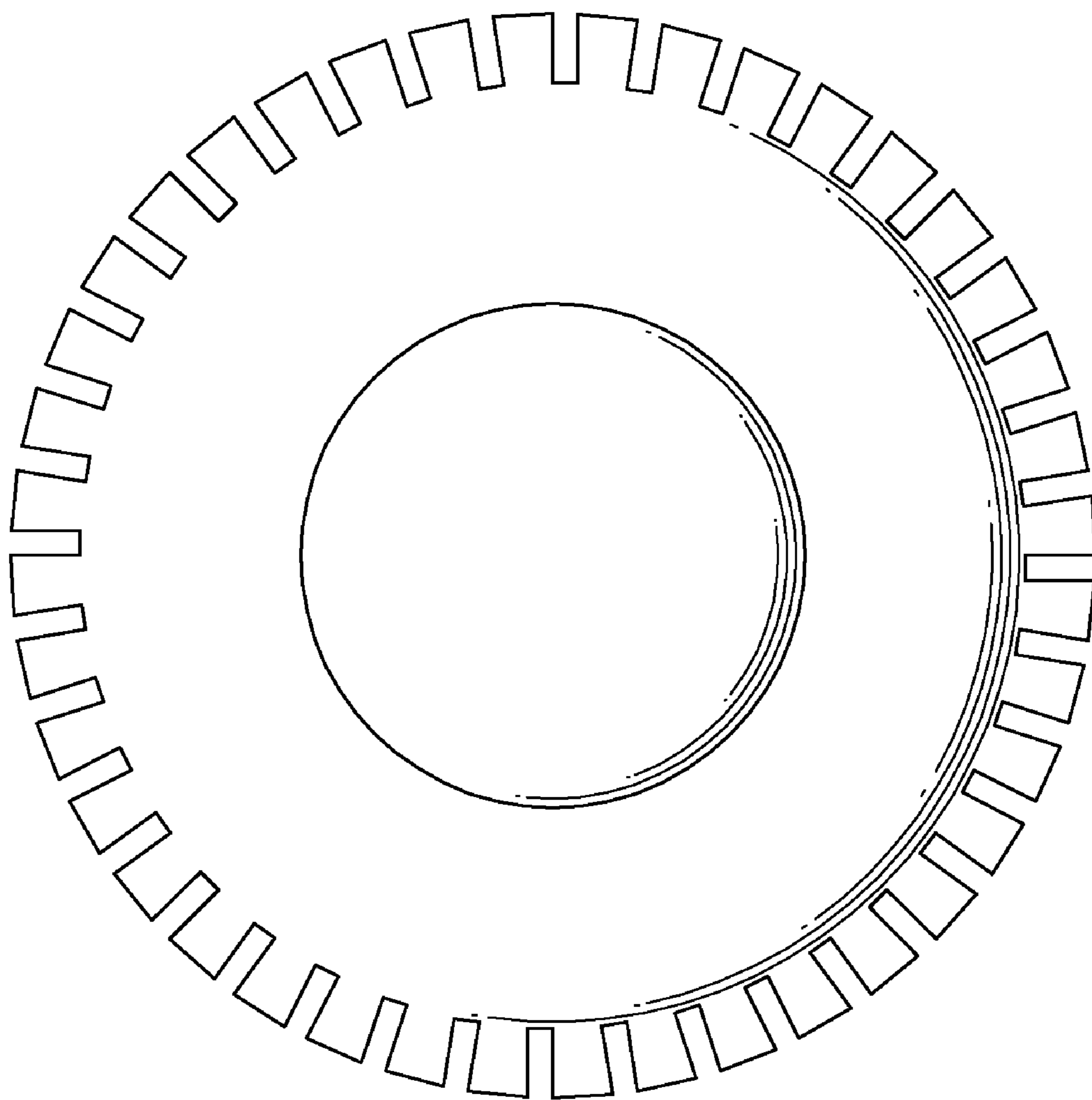


FIG. 6

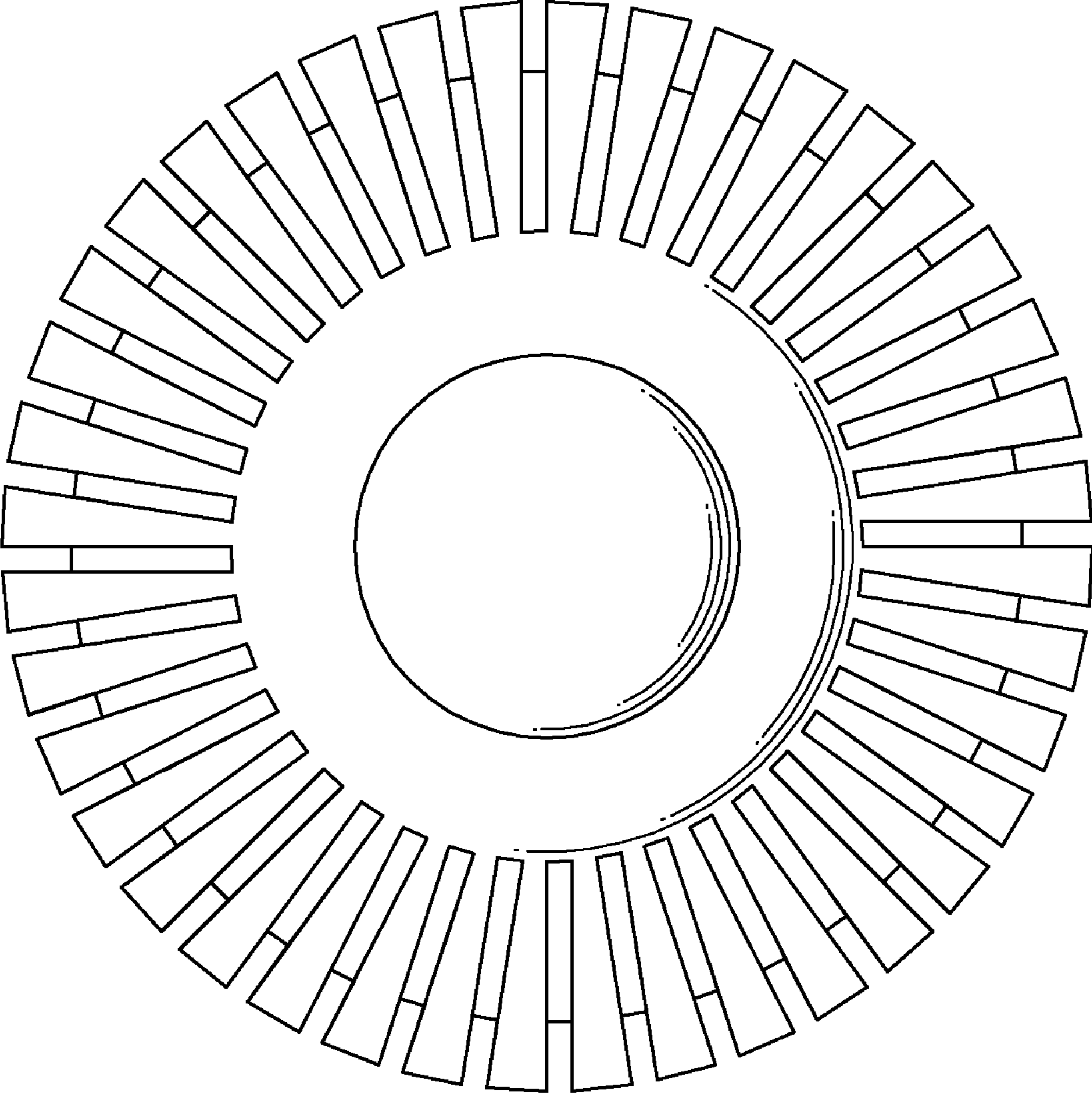


FIG. 7