



US00D618630S

(12) **United States Design Patent**  
**Wei et al.**

(10) **Patent No.:** **US D618,630 S**  
(45) **Date of Patent:** **\*\* Jun. 29, 2010**

(54) **HEAT DISSIPATION APPARATUS**

(75) Inventors: **Tien-Ho Wei**, Miao-Li Hsien (TW);  
**Yung-I Chen**, Miao-Li Hsien (TW);  
**Wen-Jang Jiang**, Miao-Li Hsien (TW)

(73) Assignee: **Foxsemicon Integrated Technology, Inc.**, Chu-Nan, Miao-Li Hsien (TW)

(\*\*) Term: **14 Years**

(21) Appl. No.: **29/337,861**

(22) Filed: **May 30, 2009**

(30) **Foreign Application Priority Data**

Mar. 24, 2009 (CN) ..... 200930301680

(51) **LOC (9) Cl.** ..... **13-03**

(52) **U.S. Cl.** ..... **D13/179**

(58) **Field of Classification Search** ..... D13/179;  
165/80.3, 104.33, 151, 122, 185; 257/706,  
257/707, 718-722; 361/687, 695, 697, 700,  
361/702, 703, 704, 709, 710, 711, 719  
See application file for complete search history.

(56) **References Cited**

U.S. PATENT DOCUMENTS

4,899,210 A \* 2/1990 Lorenzetti et al. .... 257/712  
6,025,643 A \* 2/2000 Auger ..... 257/706

D471,168 S \* 3/2003 Ge et al. .... D13/184  
6,736,204 B2 \* 5/2004 Gollan et al. .... 165/185  
6,975,511 B1 \* 12/2005 Lebo et al. .... 361/703  
7,371,965 B2 \* 5/2008 Ice ..... 174/50  
7,529,094 B2 \* 5/2009 Miller ..... 361/715  
7,539,018 B2 \* 5/2009 Murr et al. .... 361/704  
7,593,230 B2 \* 9/2009 Abul-Haj et al. .... 361/710  
2008/0066888 A1 \* 3/2008 Tong et al. .... 165/80.3

\* cited by examiner

*Primary Examiner*—Selina Sikder

(74) *Attorney, Agent, or Firm*—Raymond J. Chew

(57) **CLAIM**

The ornamental design for a heat dissipation apparatus, as shown.

**DESCRIPTION**

FIG. 1 is a perspective view of a heat dissipation apparatus showing our new design.

FIG. 2 is a front elevational view thereof.

FIG. 3 is a rear elevational view thereof.

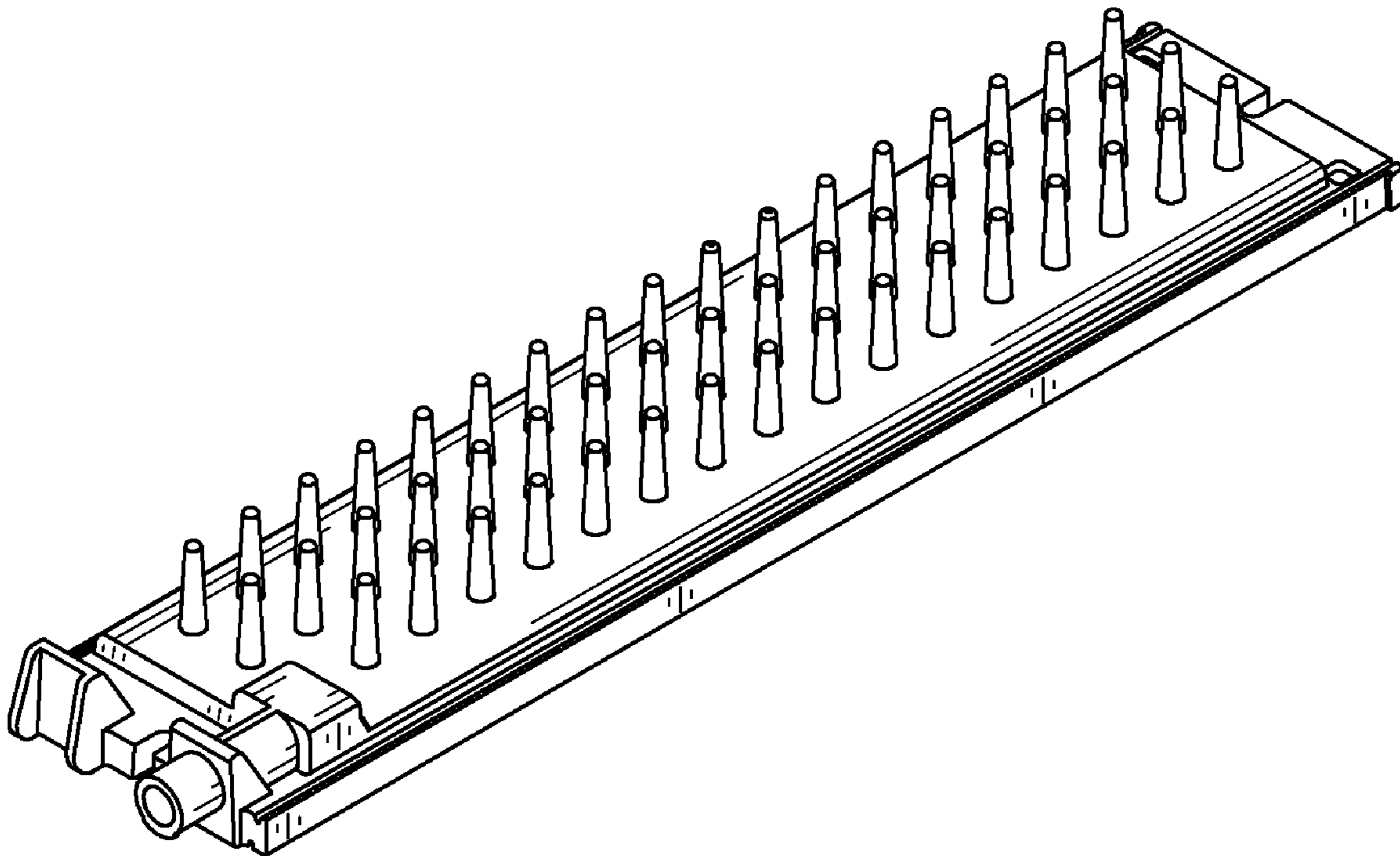
FIG. 4 is a left-side, elevational view thereof.

FIG. 5 is a right-side, elevational view thereof.

FIG. 6 is a top plan view thereof; and,

FIG. 7 is a bottom plan view thereof.

**1 Claim, 7 Drawing Sheets**



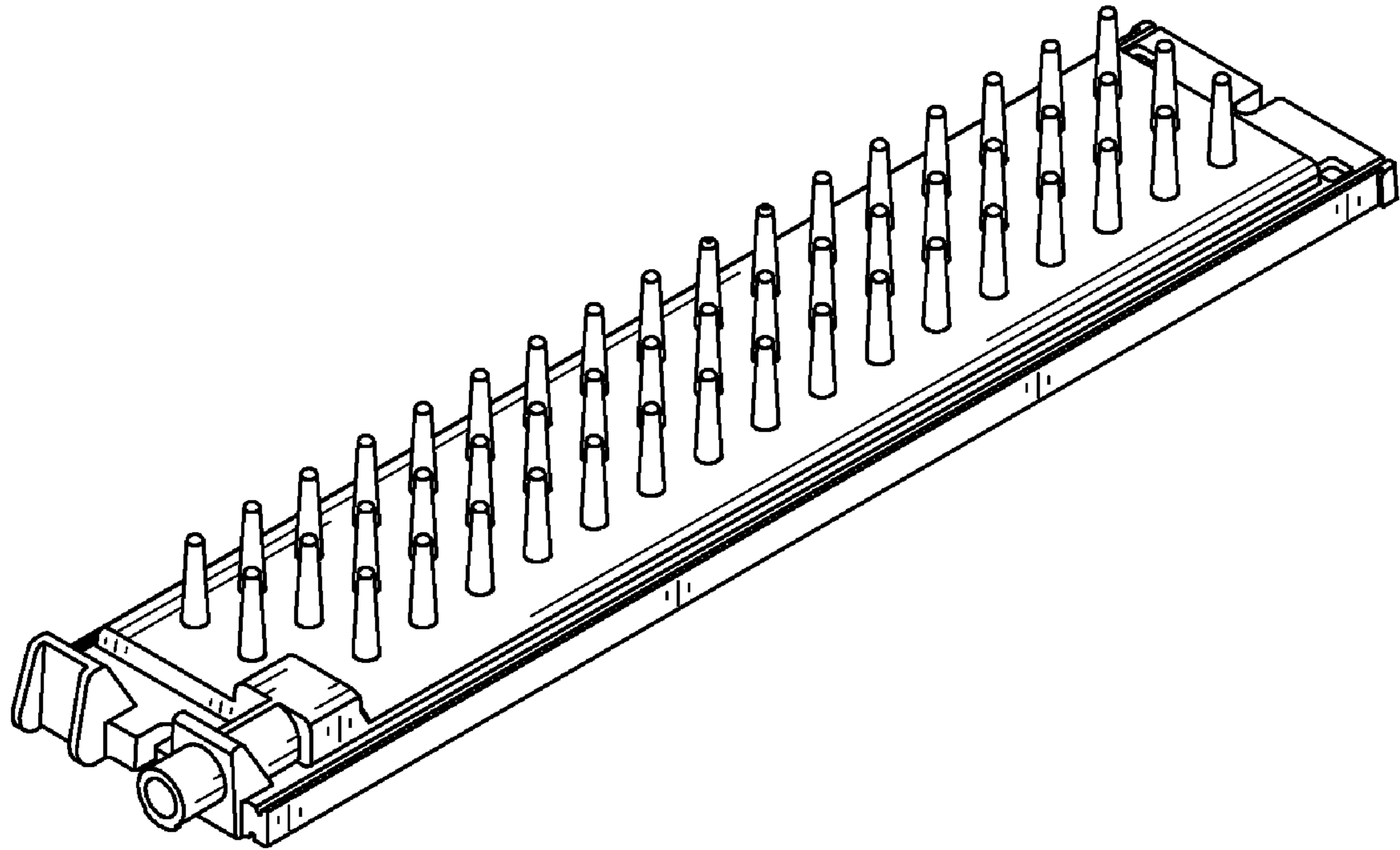


FIG. 1

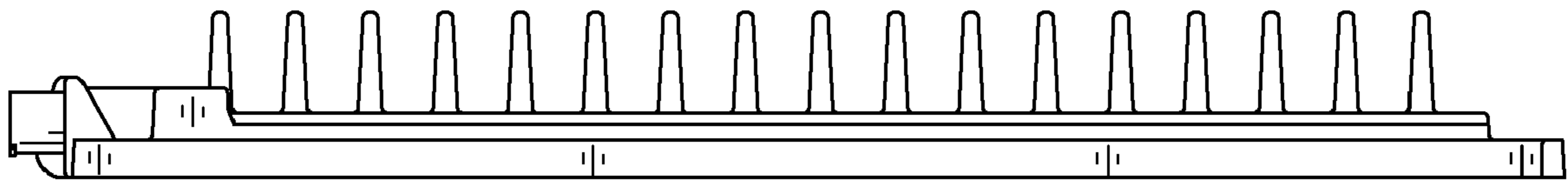


FIG. 2

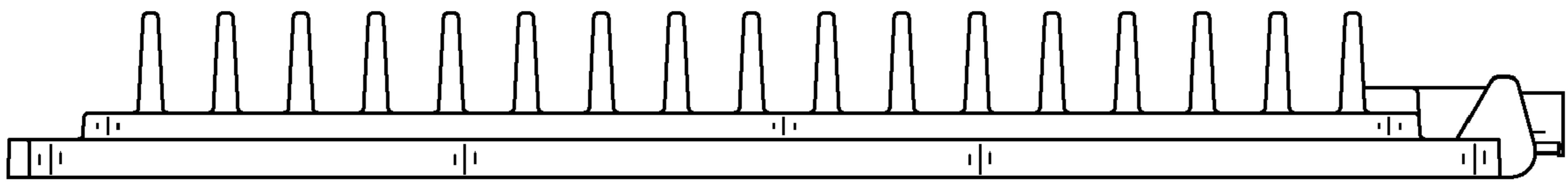


FIG. 3

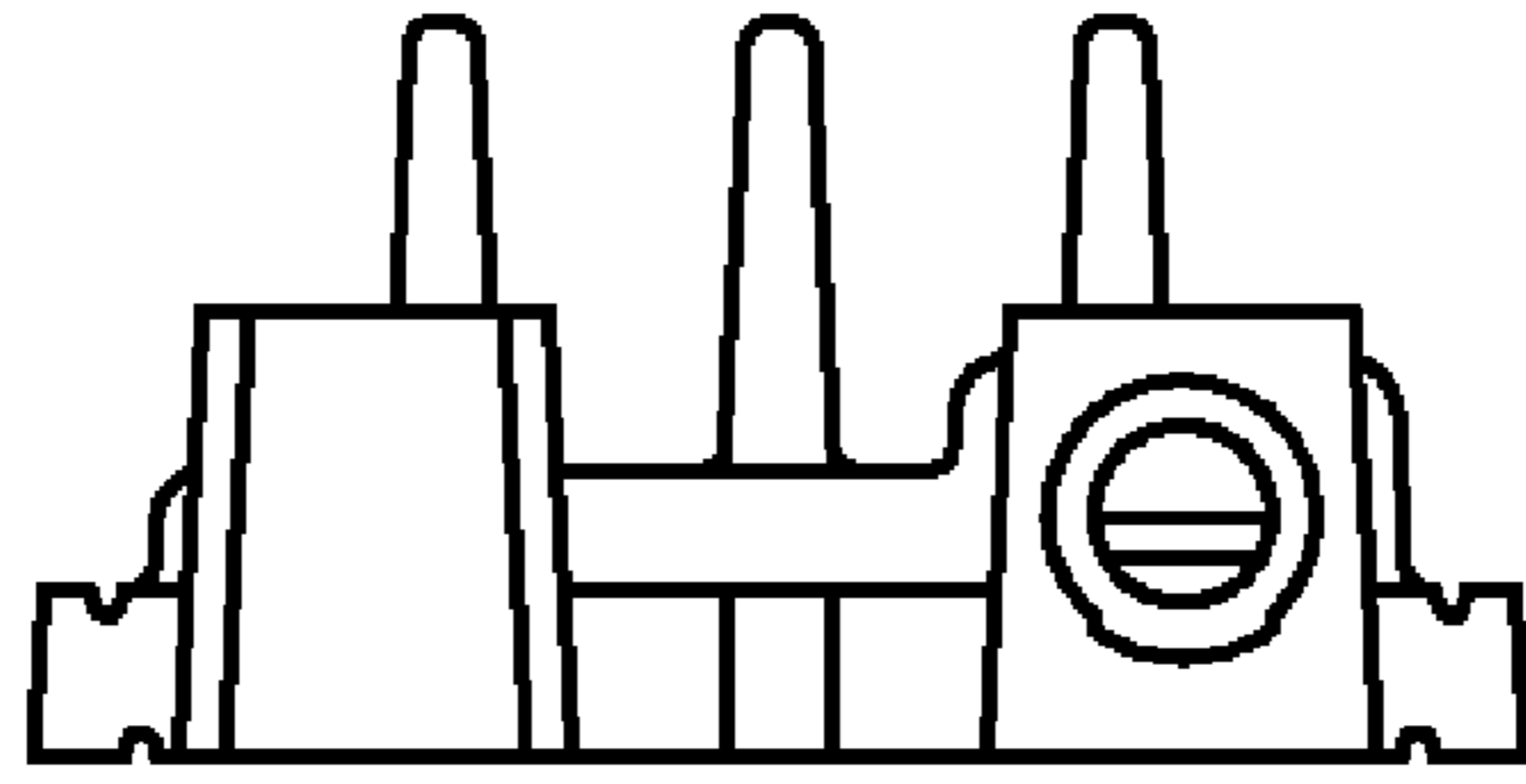


FIG. 4

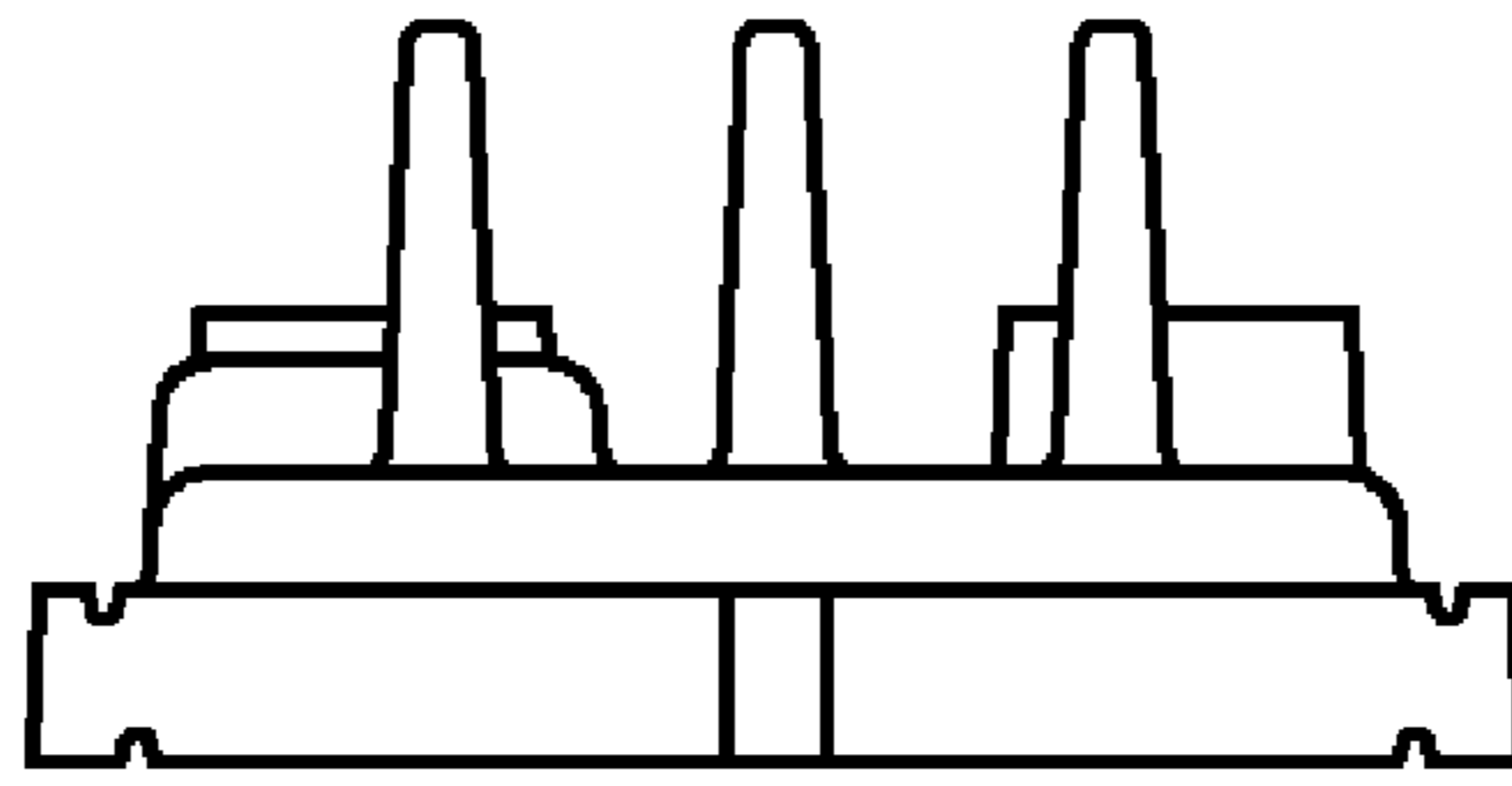


FIG. 5

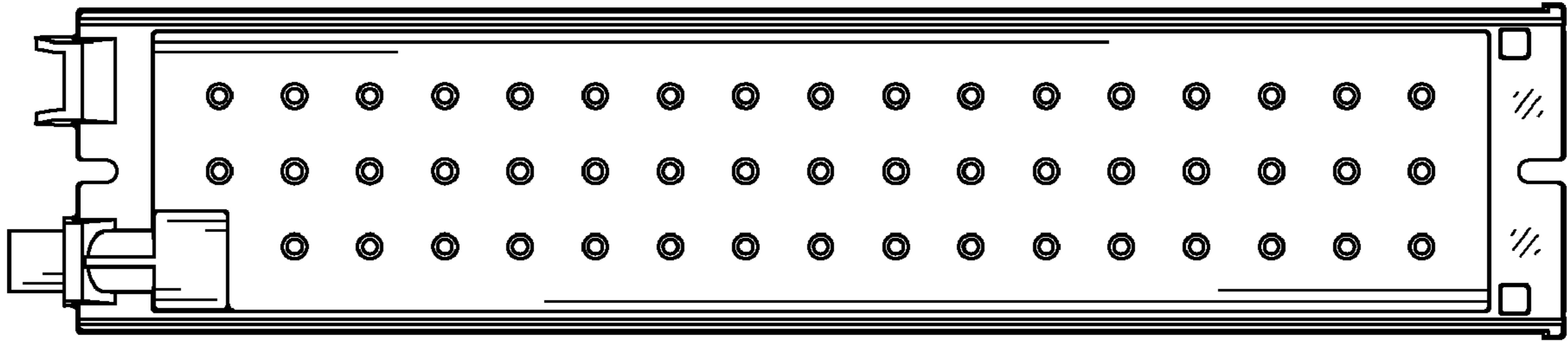


FIG. 6

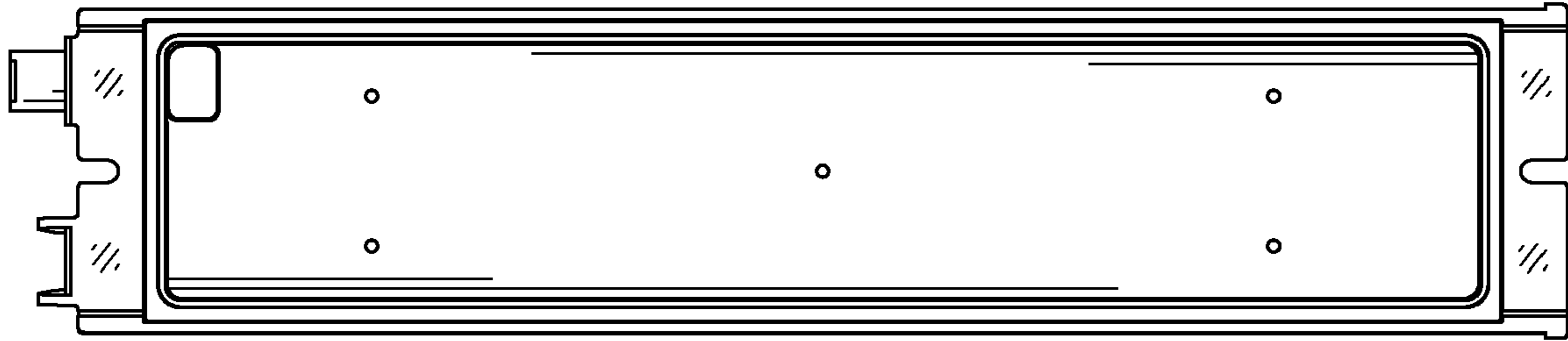


FIG. 7