

US00D618627S

(12) **United States Design Patent**  
**Arenas et al.**

(10) **Patent No.:** **US D618,627 S**  
(45) **Date of Patent:** **\*\* Jun. 29, 2010**

(54) **QUICK CONNECT RECEPTACLE**  
(75) Inventors: **Alfredo Arenas**, Little Neck, NY (US);  
**Leslie Lindenstrauss**, New York, NY  
(US); **Anthony Tufano**, North  
Massapequa, NY (US); **Dennis Oddsen**,  
Eaton's Neck, NY (US)  
(73) Assignee: **Leviton Manufacturing Company,**  
**Inc.**, Melville, NY (US)

3,716,651 A 2/1973 Werner  
3,852,513 A 12/1974 Flahive  
3,879,101 A 4/1975 McKissie  
3,879,109 A 4/1975 Thomas  
3,957,336 A 5/1976 Bromberg  
3,975,074 A 8/1976 Fuller  
4,165,443 A 8/1979 Figart et al.  
4,166,934 A 9/1979 Marrero  
4,245,880 A 1/1981 Zimmerman, Jr. et al.

(Continued)

(\*\*) Term: **14 Years**

**OTHER PUBLICATIONS**

(21) Appl. No.: **29/337,364**

International Search Report and the Written Opinion of the International Searching Authority mailed on May 7, 2008 for PCT/2007/82460 filed on Oct. 25, 2007.

(22) Filed: **May 20, 2009**

(Continued)

**Related U.S. Application Data**

(63) Continuation of application No. 29/295,217, filed on Sep. 24, 2007, now abandoned.

*Primary Examiner*—Daniel D Bui  
(74) *Attorney, Agent, or Firm*—Collard & Roe, P.C.

(51) **LOC (9) Cl.** ..... **13-03**

(57) **CLAIM**

(52) **U.S. Cl.** ..... **D13/154**

The ornamental design for a quick connect receptacle, as shown and described.

(58) **Field of Classification Search** ..... D13/133,  
D13/137.1, 137.4, 139.1, 139.3, 139.6, 146–147,  
D13/154, 184; 439/358, 535, 536  
See application file for complete search history.

**DESCRIPTION**

(56) **References Cited**

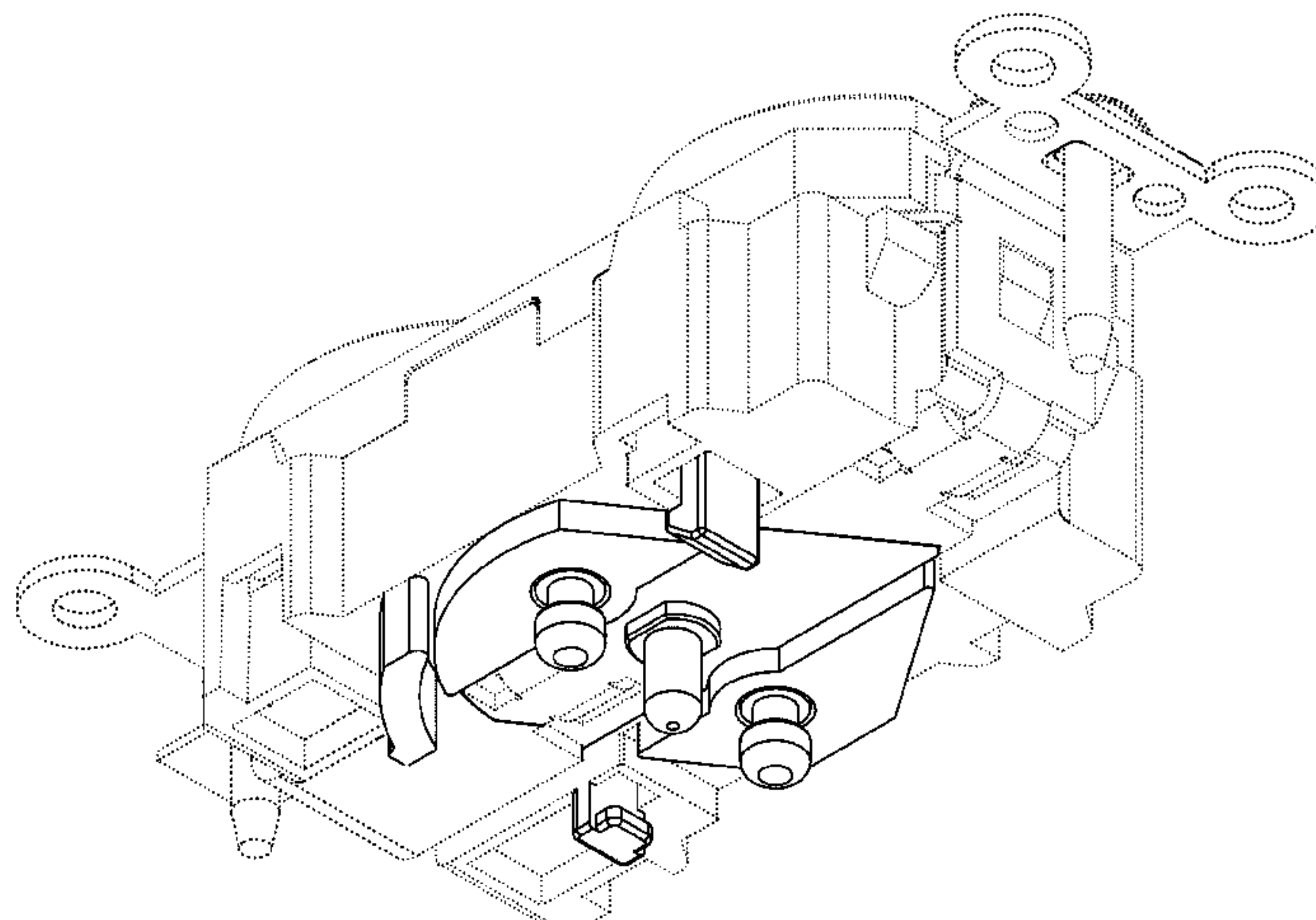
FIG. 1 is a top, left and rear perspective view of a quick connect receptacle showing our new design;  
FIG. 2 is a top, right and rear perspective view thereof;  
FIG. 3 is a rear view thereof;  
FIG. 4 is a front view thereof;  
FIG. 5 is a bottom, left and front perspective view thereof;  
FIG. 6 is a top view thereof;  
FIG. 7 is a bottom view thereof;  
FIG. 8 is a left side view thereof; and,  
FIG. 9 is a right side view thereof.

**U.S. PATENT DOCUMENTS**

1,938,309 A 12/1933 Williams  
1,938,917 A 12/1933 Loetscher  
2,397,688 A 4/1946 Osinski  
2,399,688 A 5/1946 Metzner et al.  
2,433,917 A 1/1948 McCartney  
2,515,256 A 7/1950 O'Brien et al.  
2,985,334 A 5/1961 Slater  
3,002,175 A 9/1961 Bertram et al.  
3,038,141 A 6/1962 Chiuchiolo  
3,121,599 A 2/1964 Modrey  
3,156,761 A 11/1964 Schinske  
3,510,822 A 5/1970 Patterson  
3,609,647 A 9/1971 Castellano  
3,641,472 A 2/1972 Phillips, Jr.

The broken line portion of the figure drawings is included to show unclaimed subject matter only and forms no part of the claimed design.

**1 Claim, 7 Drawing Sheets**



# US D618,627 S

Page 2

U.S. PATENT DOCUMENTS					
			6,617,511 B2	9/2003	Schultz et al.
			6,767,245 B2	7/2004	King
			6,774,307 B2	8/2004	Kruse et al.
			6,817,873 B1	11/2004	Gorman
			6,829,124 B2	12/2004	Leopold et al.
			6,831,226 B2	12/2004	Allen, Jr.
			6,843,680 B2	1/2005	Gorman
			6,857,903 B2	2/2005	Hyde
			6,863,561 B2	3/2005	Gorman
			6,870,099 B1	3/2005	Schultz et al.
			6,876,888 B2	4/2005	Locke
			6,884,111 B2	4/2005	Gorman
			6,894,221 B2	5/2005	Gorman
			6,939,179 B1	9/2005	Kieffer, Jr. et al.
			6,945,815 B1	9/2005	Mullally
			6,955,559 B2	10/2005	Pyrros
			6,979,212 B1	12/2005	Gorman
			6,986,674 B1	1/2006	Gorman
			6,994,585 B2	2/2006	Benoit et al.
			7,004,595 B1	2/2006	Stoddard
			7,052,313 B2	5/2006	Gorman
			7,060,897 B2	6/2006	Gorman
			7,081,009 B2	7/2006	Gorman
			7,081,010 B2	7/2006	Gorman
			7,101,187 B1	9/2006	Deconinck et al.
			7,104,836 B1	9/2006	Gorman
			D537,414 S	2/2007	Saito
			7,189,110 B1	3/2007	Savicki, Jr.
			7,195,517 B1	3/2007	Savicki, Jr.
			D547,721 S	7/2007	Harano et al.
			7,273,392 B2	9/2007	Fields
			7,285,009 B1	10/2007	Benoit et al.
			D563,877 S	3/2008	Grant
			7,357,652 B1	4/2008	Arenas et al.
			7,459,632 B2	12/2008	Bowman
			7,510,429 B1	3/2009	Savicki, Jr. et al.
			2002/0052139 A1	5/2002	Gorman
			2002/0055301 A1	5/2002	Gorman
			2003/0236011 A1	12/2003	Gorman
			2004/0130218 A1	7/2004	Locke
			2004/0206541 A1	10/2004	Locke
			2005/0006124 A1	1/2005	Kruse et al.
			2005/0070161 A1	3/2005	Dunwoody
			2005/0075007 A1	4/2005	Benoit et al.
			2005/0250377 A1	11/2005	Gorman
			2005/0250378 A1	11/2005	Gorman
			2005/0272304 A1	12/2005	Gorman
			2005/0272305 A1	12/2005	Gorman
			2006/0030183 A1	2/2006	Yoshida et al.
			2008/0207046 A1	8/2008	Arenas et al.
			2008/0268679 A1*	10/2008	Tiberio et al. .... 439/135
			2009/0053925 A1*	2/2009	Pyrros ..... 439/535
			2009/0197461 A1	8/2009	Benoit et al.
OTHER PUBLICATIONS					
International Preliminary Report on Patentability for PCT/US2007/082460; Mailed on May 7, 2009.					
* cited by examiner					



FIG. 1

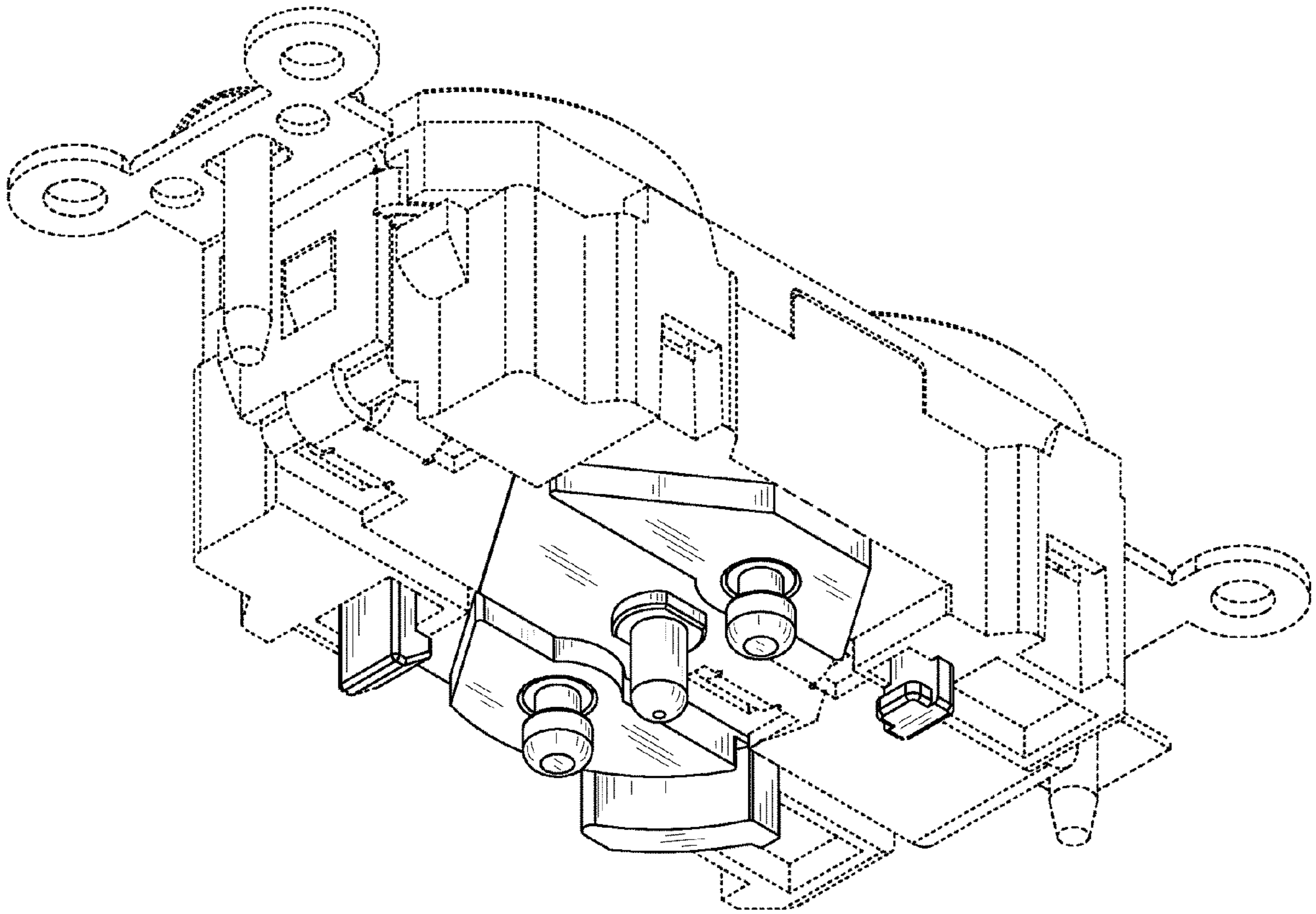


FIG. 2

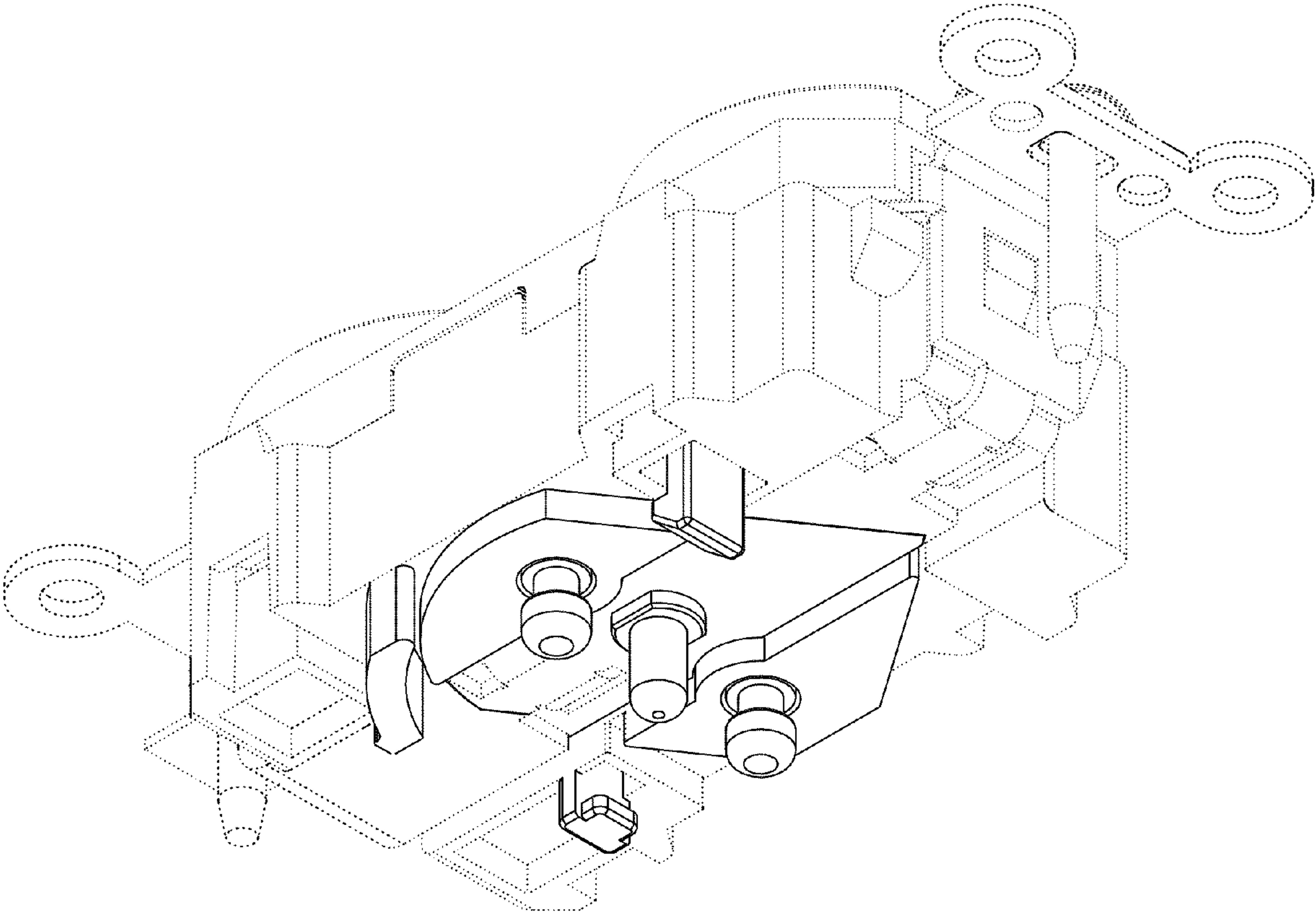


FIG. 3

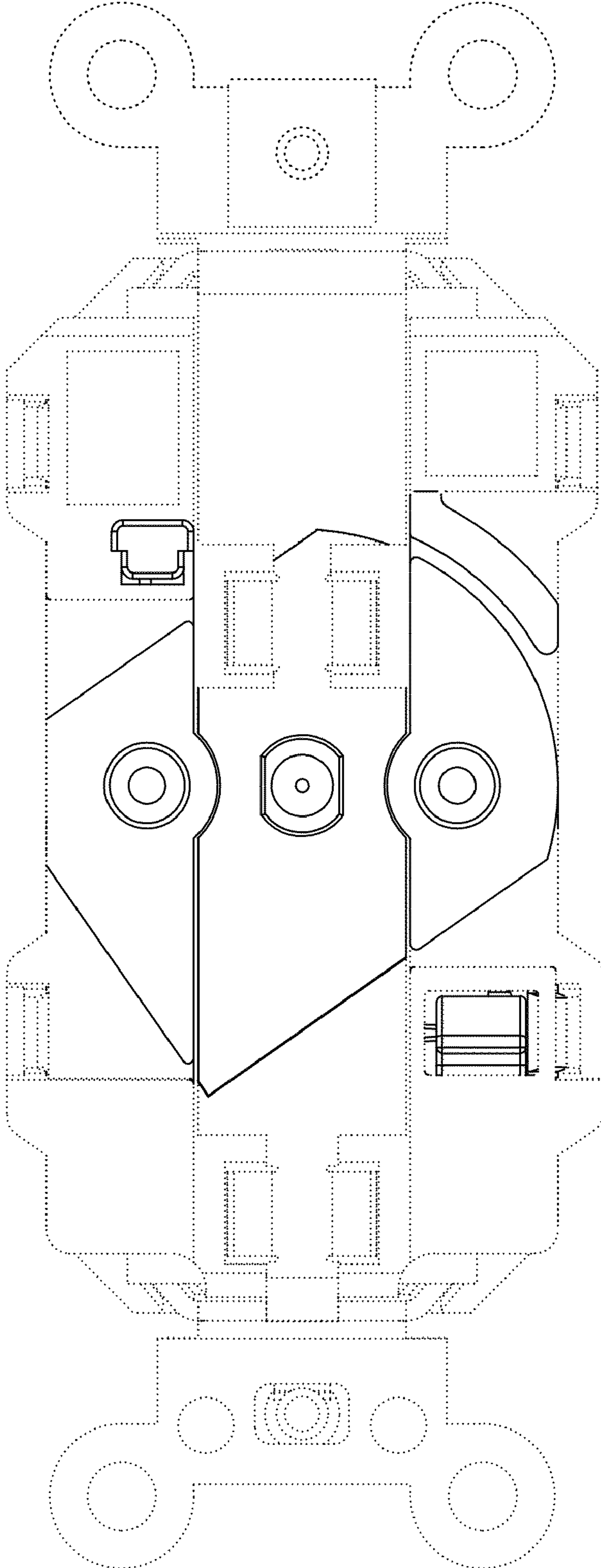


FIG. 4

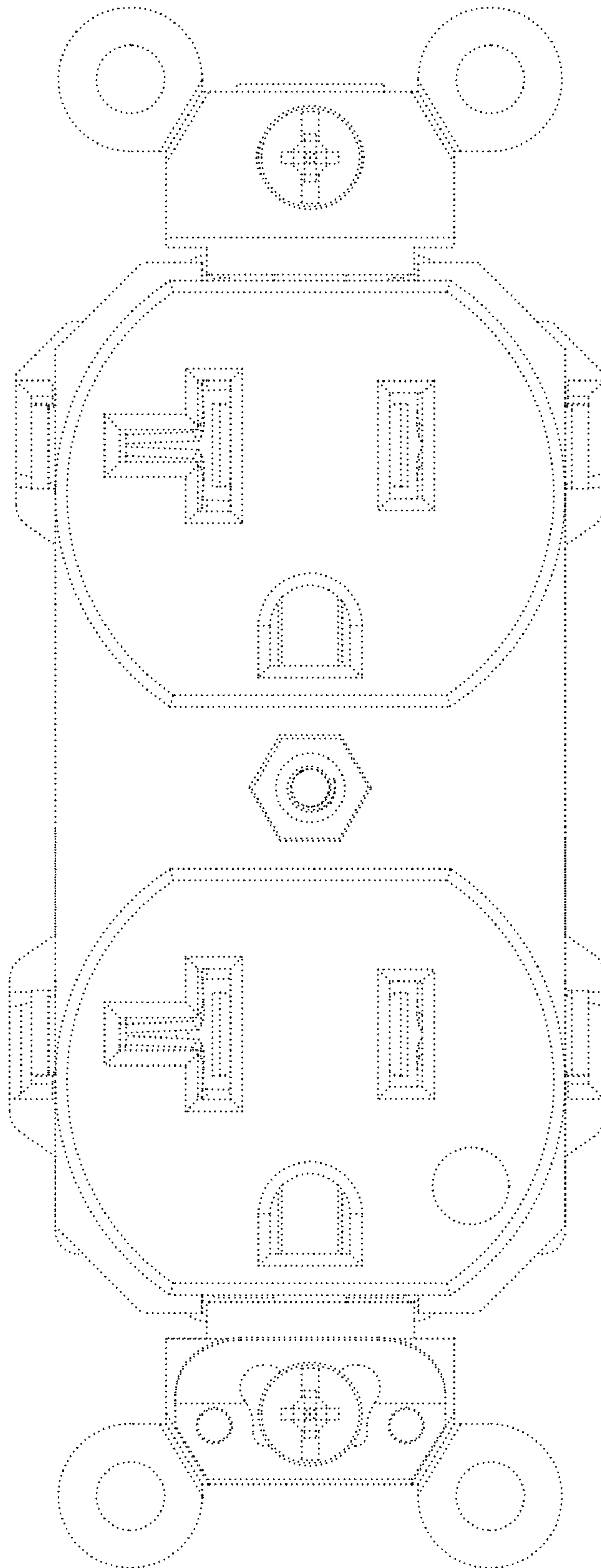


FIG. 5

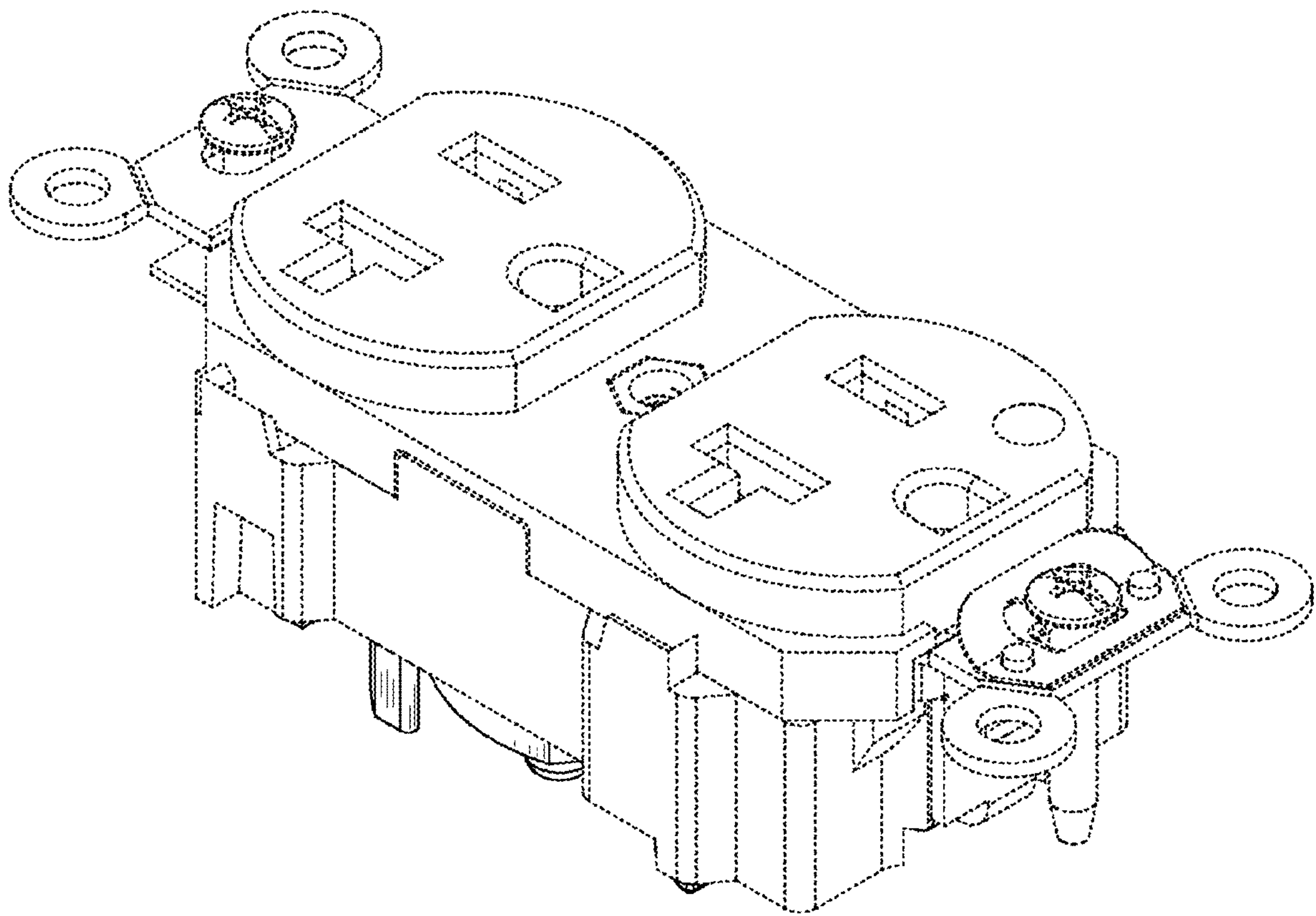




FIG. 6

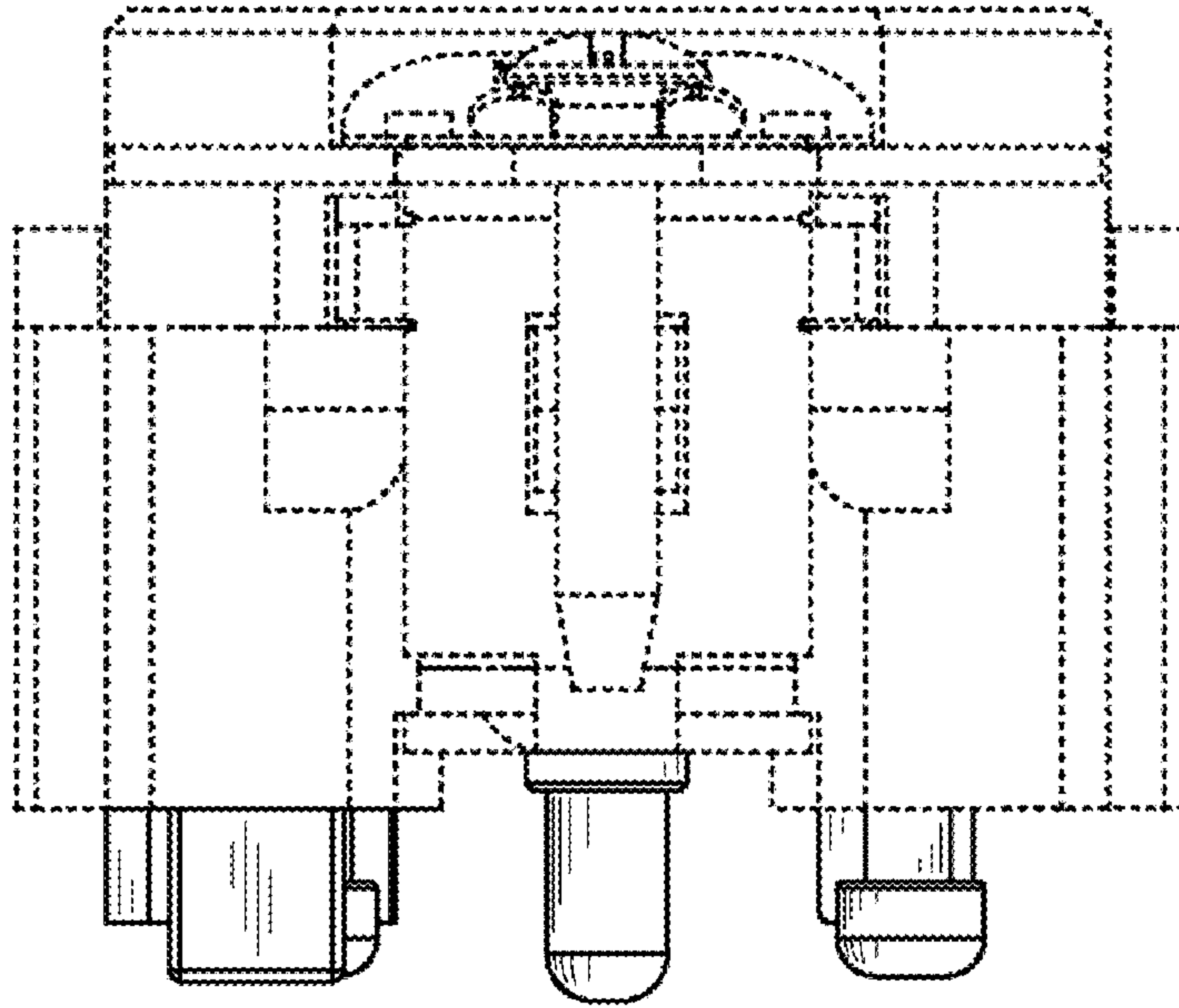


FIG. 7

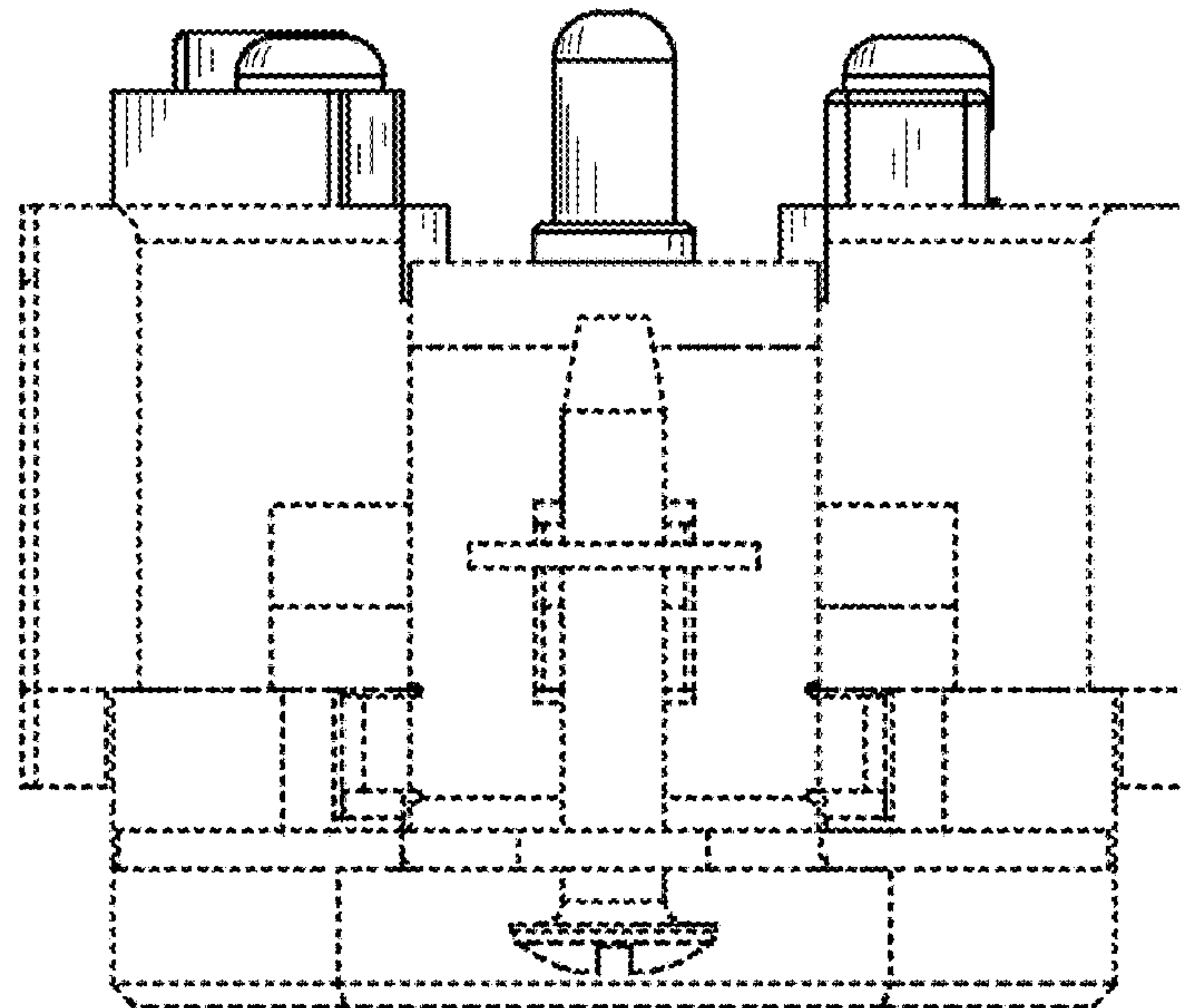




FIG. 8

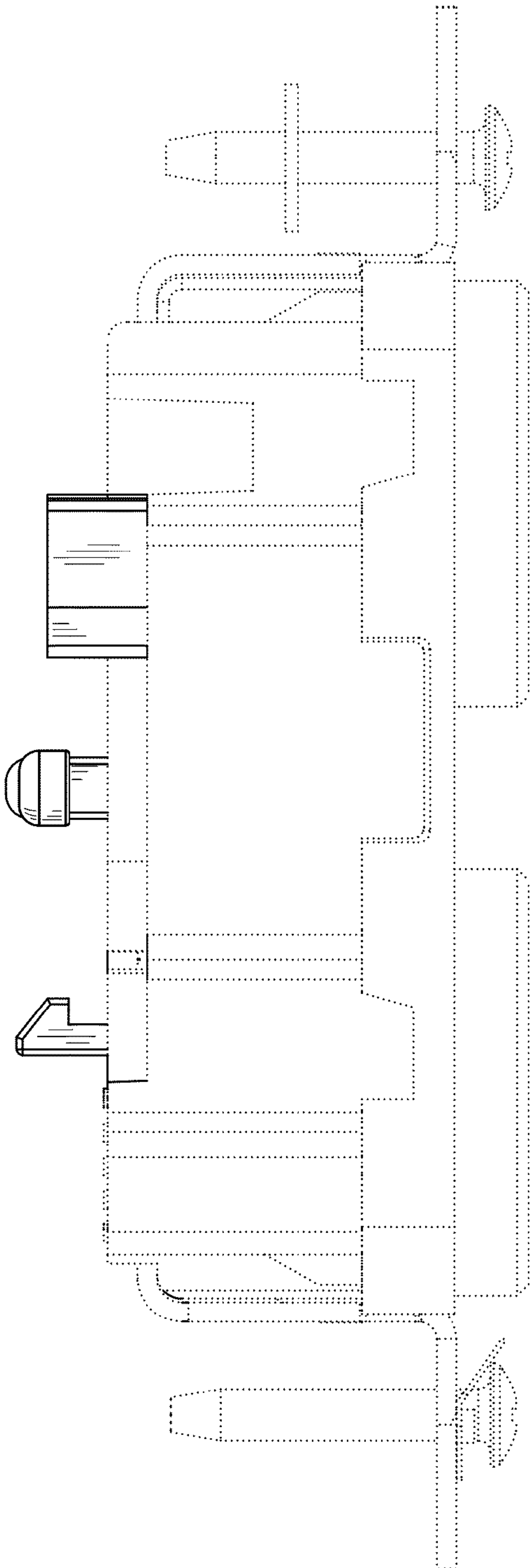


FIG. 9

