



US00D618624S

(12) **United States Design Patent**  
**Chiang**

(10) **Patent No.:** **US D618,624 S**  
(45) **Date of Patent:** **\*\* Jun. 29, 2010**

(54) **RECEPTACLE CONNECTOR**

D566,656 S \* 4/2008 Dever ..... D13/147  
D587,655 S \* 3/2009 Chiang ..... D13/147

(75) Inventor: **Shu-Man Chiang**, Taipei (TW)

\* cited by examiner

(73) Assignee: **Cheng Uei Precision Industry Co., Ltd.**, Taipei (TW)

*Primary Examiner*—Daniel D Bui

(\*\*) Term: **14 Years**

(57) **CLAIM**

(21) Appl. No.: **29/352,774**

The ornamental design for a receptacle connector, as shown and described.

(22) Filed: **Dec. 25, 2009**

**DESCRIPTION**

(51) **LOC (9) Cl.** ..... **13-03**

FIG. 1 is a front, top and right side perspective view of a receptacle connector showing my new design;

(52) **U.S. Cl.** ..... **D13/147**

FIG. 2 is a front elevational view thereof;

(58) **Field of Classification Search** ..... D13/147,  
D13/154, 184; 439/79, 108, 378, 567, 607-610,  
439/668, 680

FIG. 3 is a rear elevational view thereof;

FIG. 4 is a left side elevational view thereof;

See application file for complete search history.

FIG. 5 is a right side elevational view thereof;

FIG. 6 is a top plan view thereof; and,

FIG. 7 is a bottom plan view thereof.

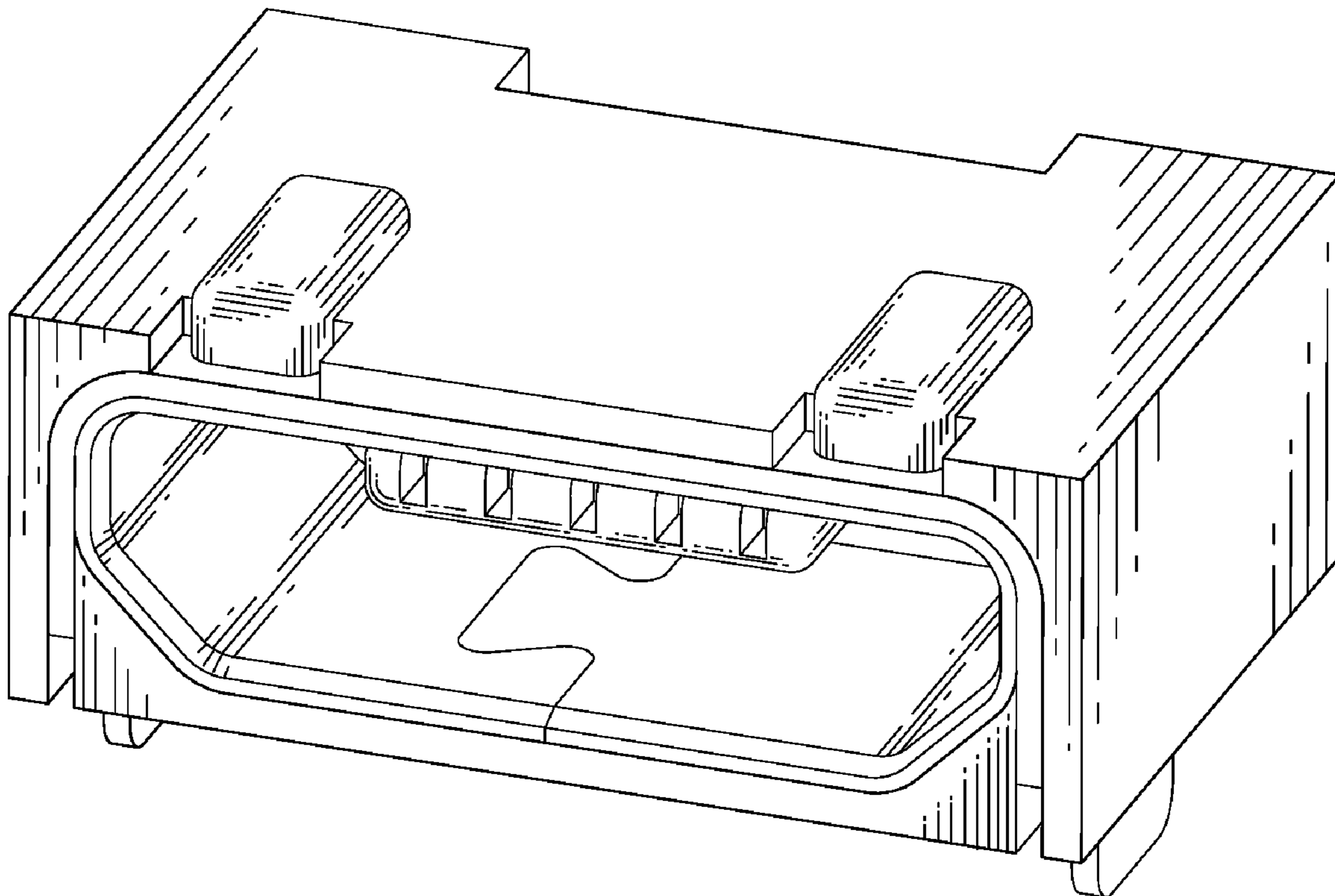
(56) **References Cited**

**U.S. PATENT DOCUMENTS**

D295,850 S \* 5/1988 Kikuta ..... D13/147  
D366,454 S \* 1/1996 Eaton ..... D13/147  
D372,460 S \* 8/1996 Aramaki ..... D13/147  
D522,460 S \* 6/2006 Chiang et al. .... D13/147  
D559,192 S \* 1/2008 Arai et al. .... D13/147

The broken line portion of the figure drawings is included to show unclaimed subject matter only and forms no part of the claimed design.

**1 Claim, 7 Drawing Sheets**



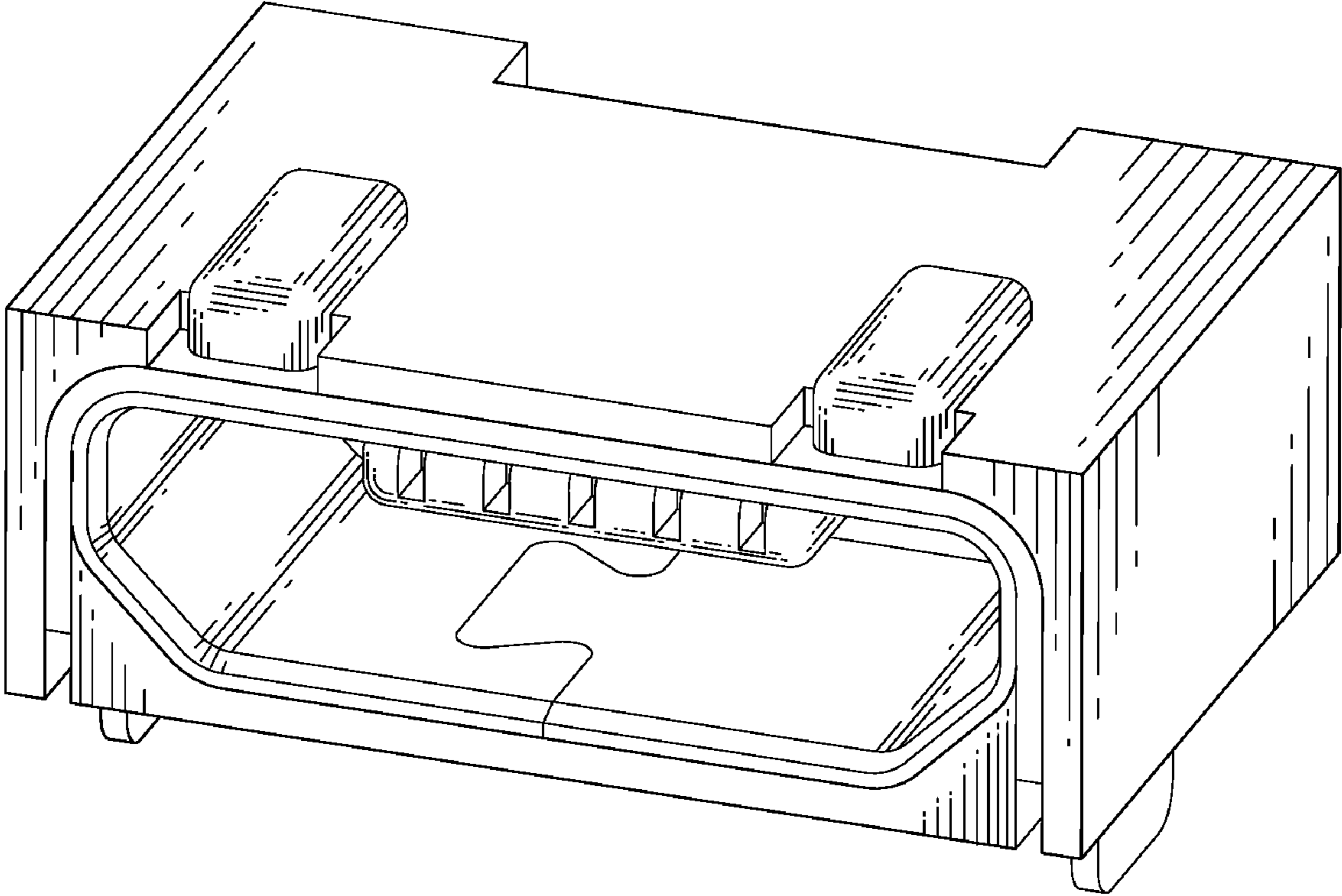


FIG. 1

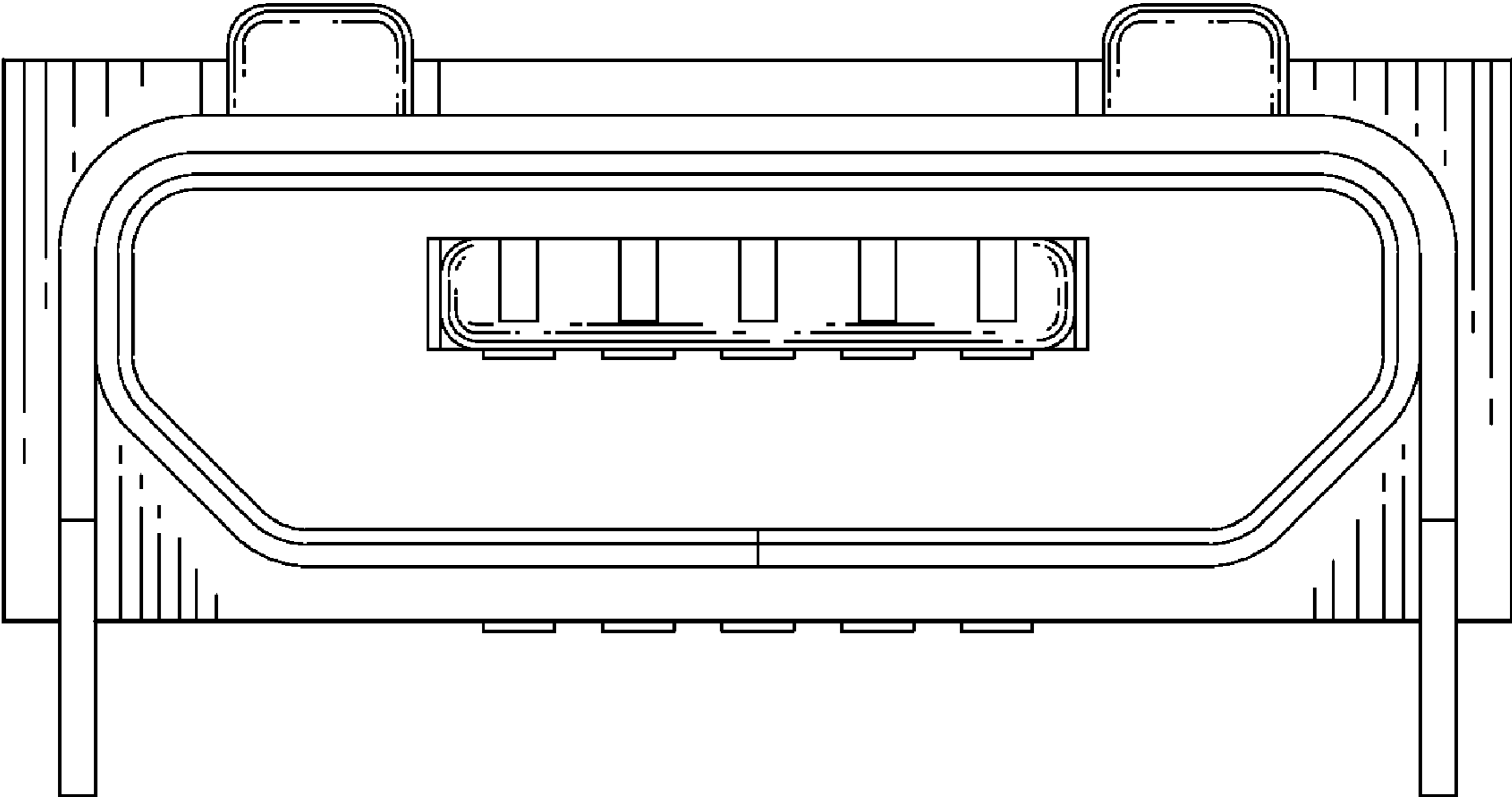


FIG. 2

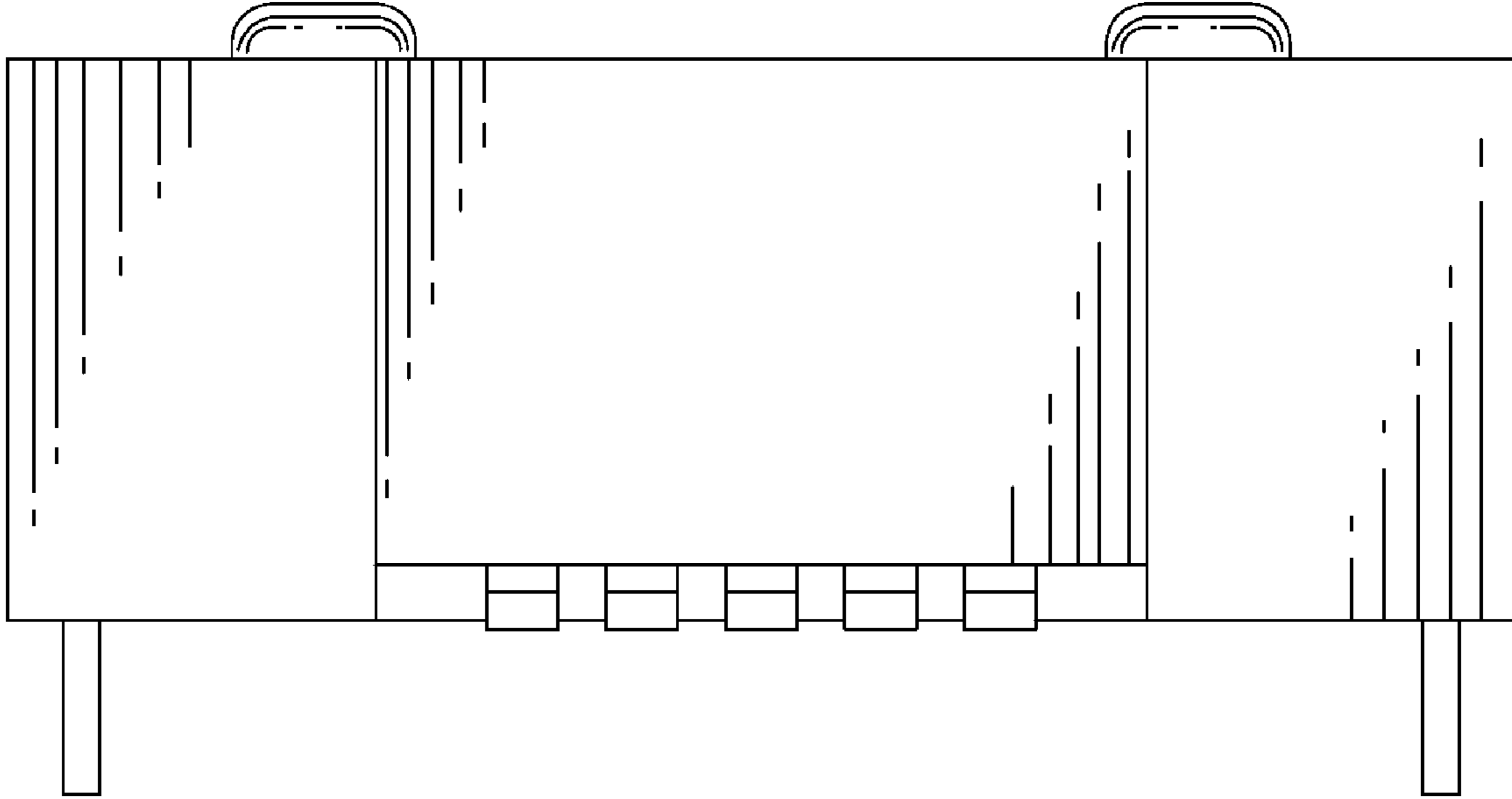


FIG. 3

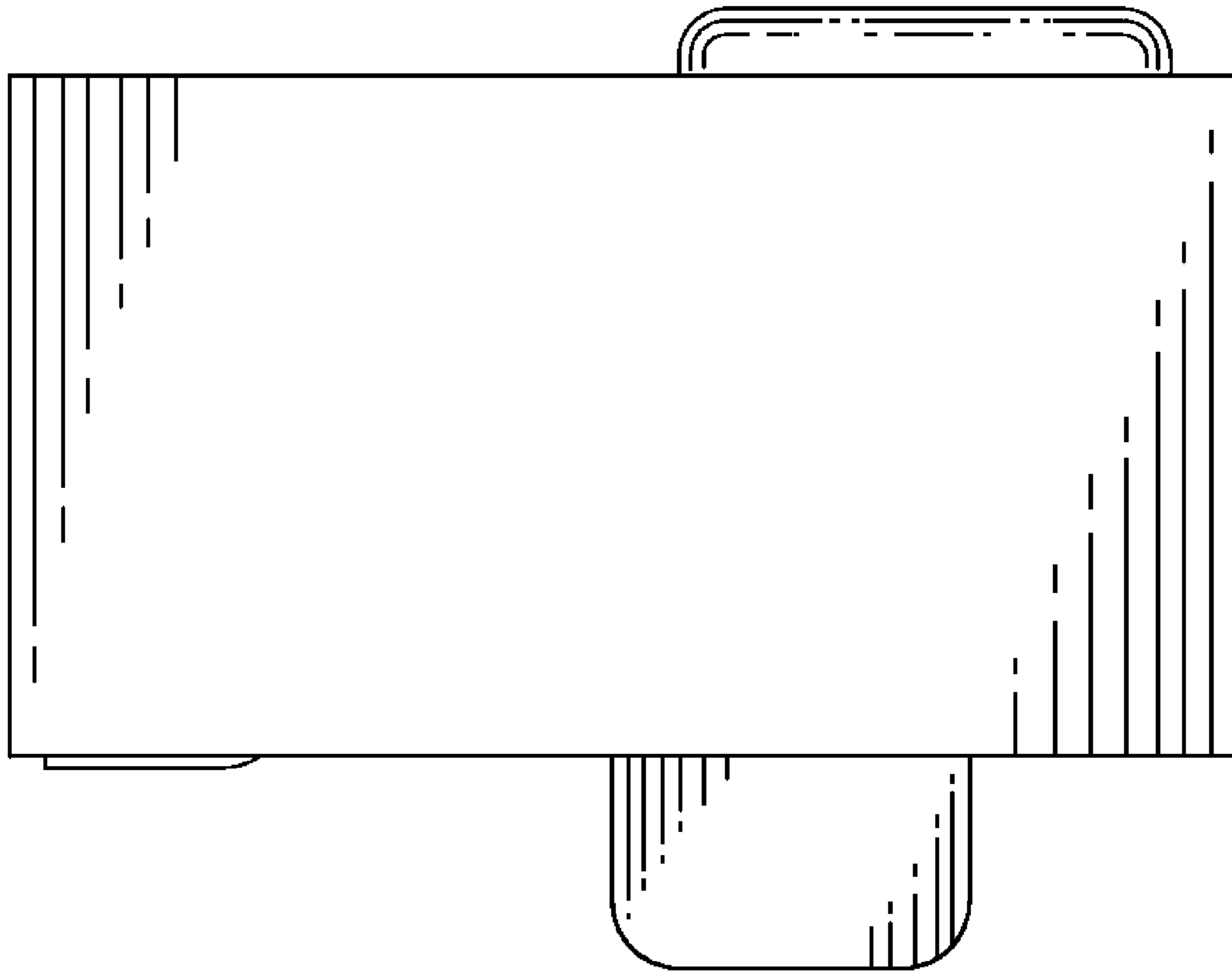


FIG. 4

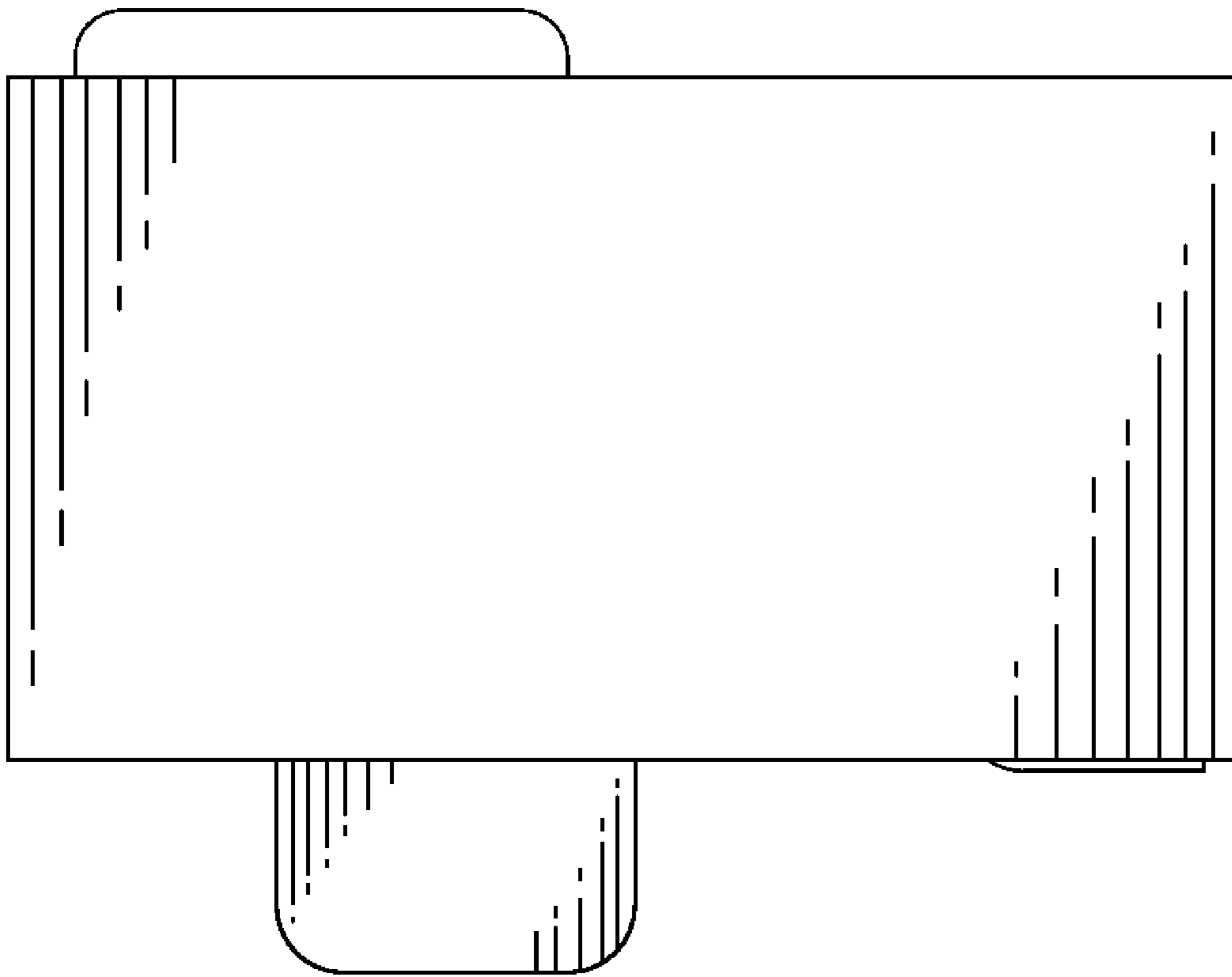


FIG. 5

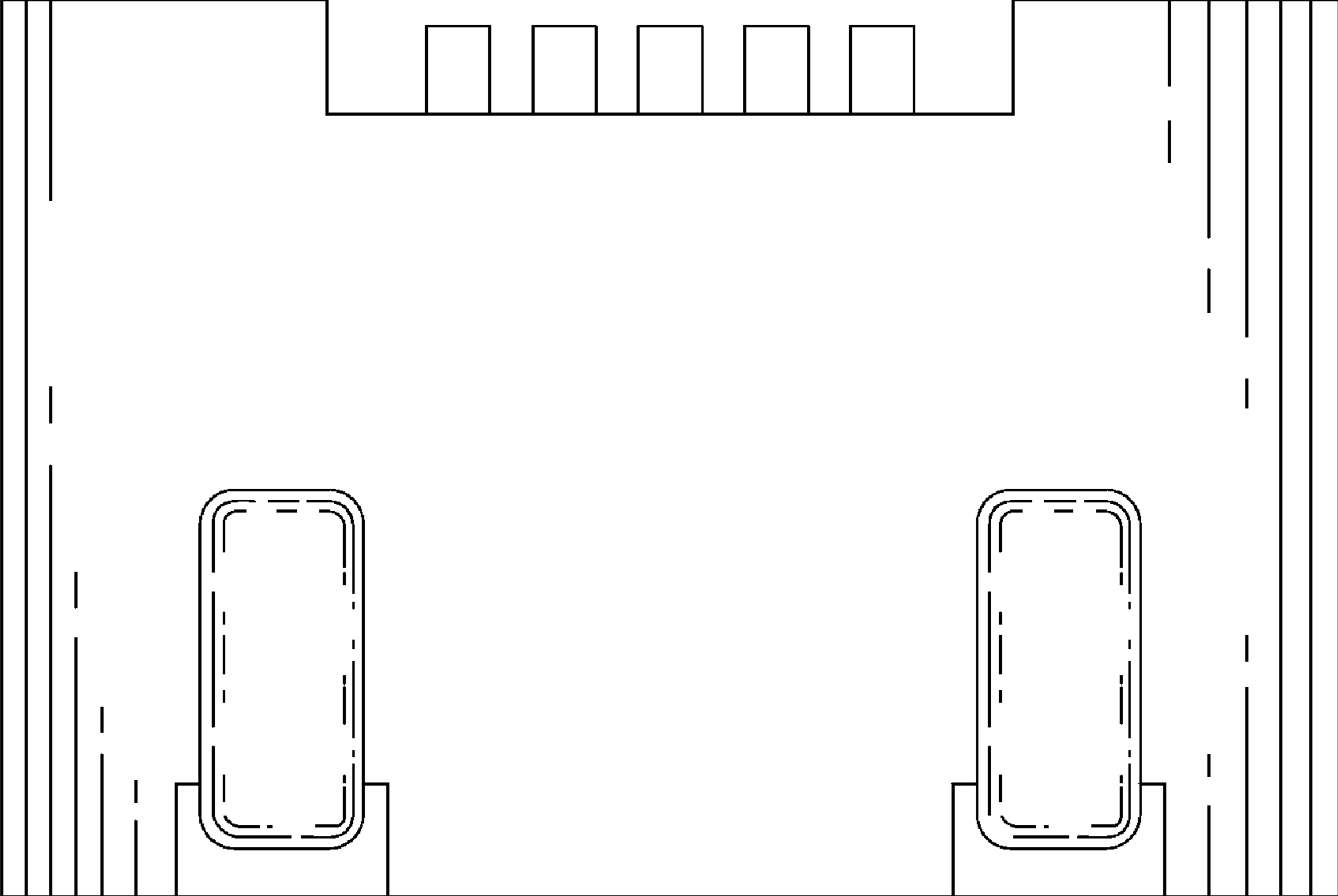


FIG. 6

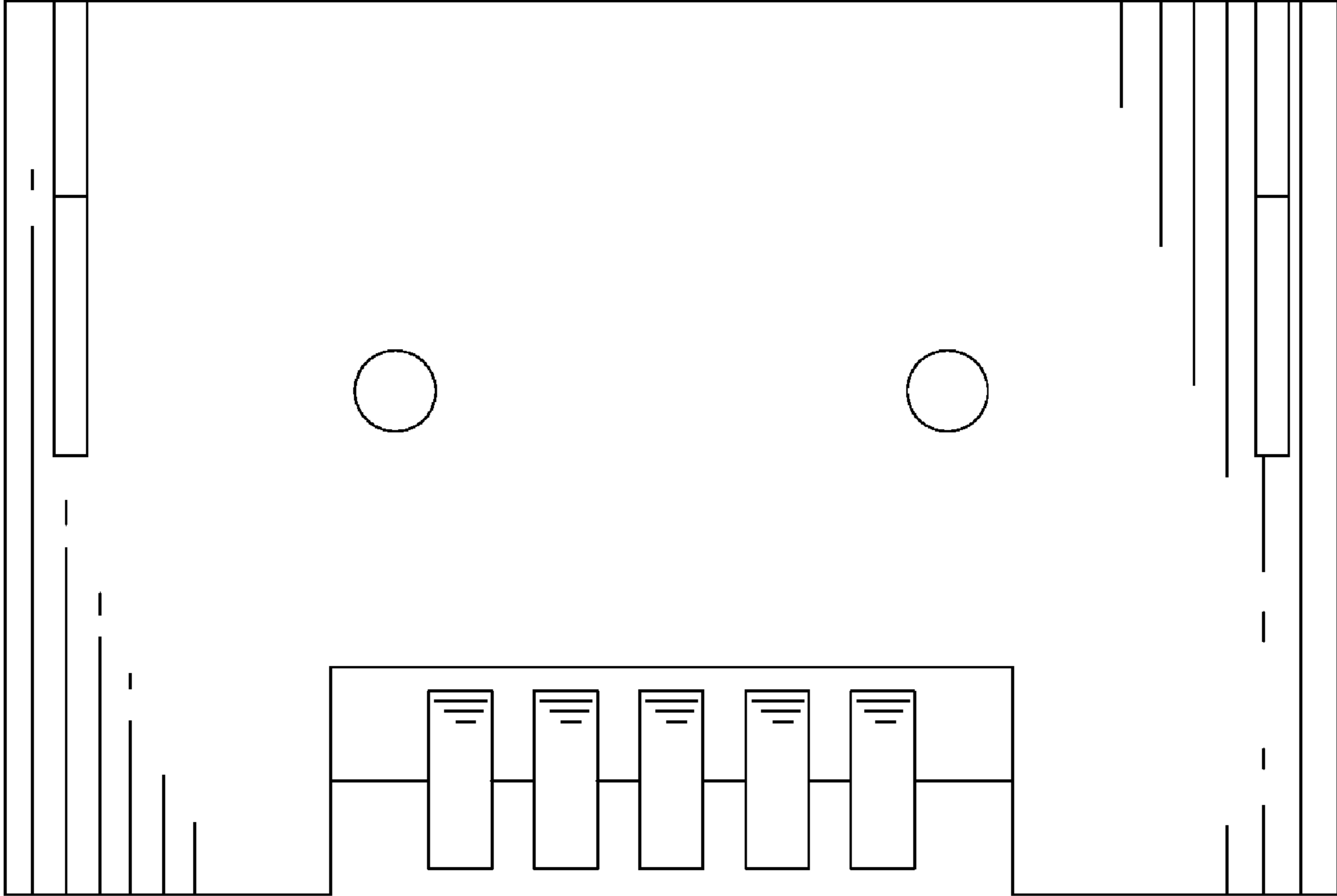


FIG. 7