



US00D618621S

(12) **United States Design Patent**
Nagata

(10) **Patent No.:** **US D618,621 S**
(45) **Date of Patent:** **** Jun. 29, 2010**

(54) **ELECTRICAL CONNECTOR**

D599,294 S * 9/2009 Yang et al. D13/147
D608,288 S * 1/2010 Zhu et al. D13/147

(75) Inventor: **Takayuki Nagata, Yao (JP)**

* cited by examiner

(73) Assignee: **Hosiden Corporation, Osaka (JP)**

Primary Examiner—Daniel D Bui

(74) *Attorney, Agent, or Firm*—Rankin, Hill & Clark LLP

(**) Term: **14 Years**

(57) **CLAIM**

(21) Appl. No.: **29/345,909**

The ornamental design for an electrical connector, as shown and described.

(22) Filed: **Oct. 23, 2009**

DESCRIPTION

(30) **Foreign Application Priority Data**

Apr. 28, 2009 (JP) 2009-009759

FIG. 1 is a front, right side and top perspective view of an electrical connector showing my new design;

(51) **LOC (9) Cl.** **13-03**

FIG. 2 is a rear, right side and bottom perspective view thereof;

(52) **U.S. Cl.** **D13/147**

FIG. 3 is a front elevation view thereof;

(58) **Field of Classification Search** D13/147,
D13/154, 184; 439/108, 476.1, 483, 527,
439/533, 607–610, 892, 894

FIG. 4 is a rear elevation view thereof;

FIG. 5 is a left side view thereof, a right side view being a mirror image thereof;

See application file for complete search history.

FIG. 6 is a top plan view thereof; and,

FIG. 7 is a bottom plan view thereof.

(56) **References Cited**

The broken line portion of the figure drawings is included to show unclaimed subject matter only and forms no part of the claimed design.

U.S. PATENT DOCUMENTS

D523,400 S * 6/2006 Shang-Yen et al. D13/147

D586,754 S * 2/2009 Yuan et al. D13/147

1 Claim, 4 Drawing Sheets

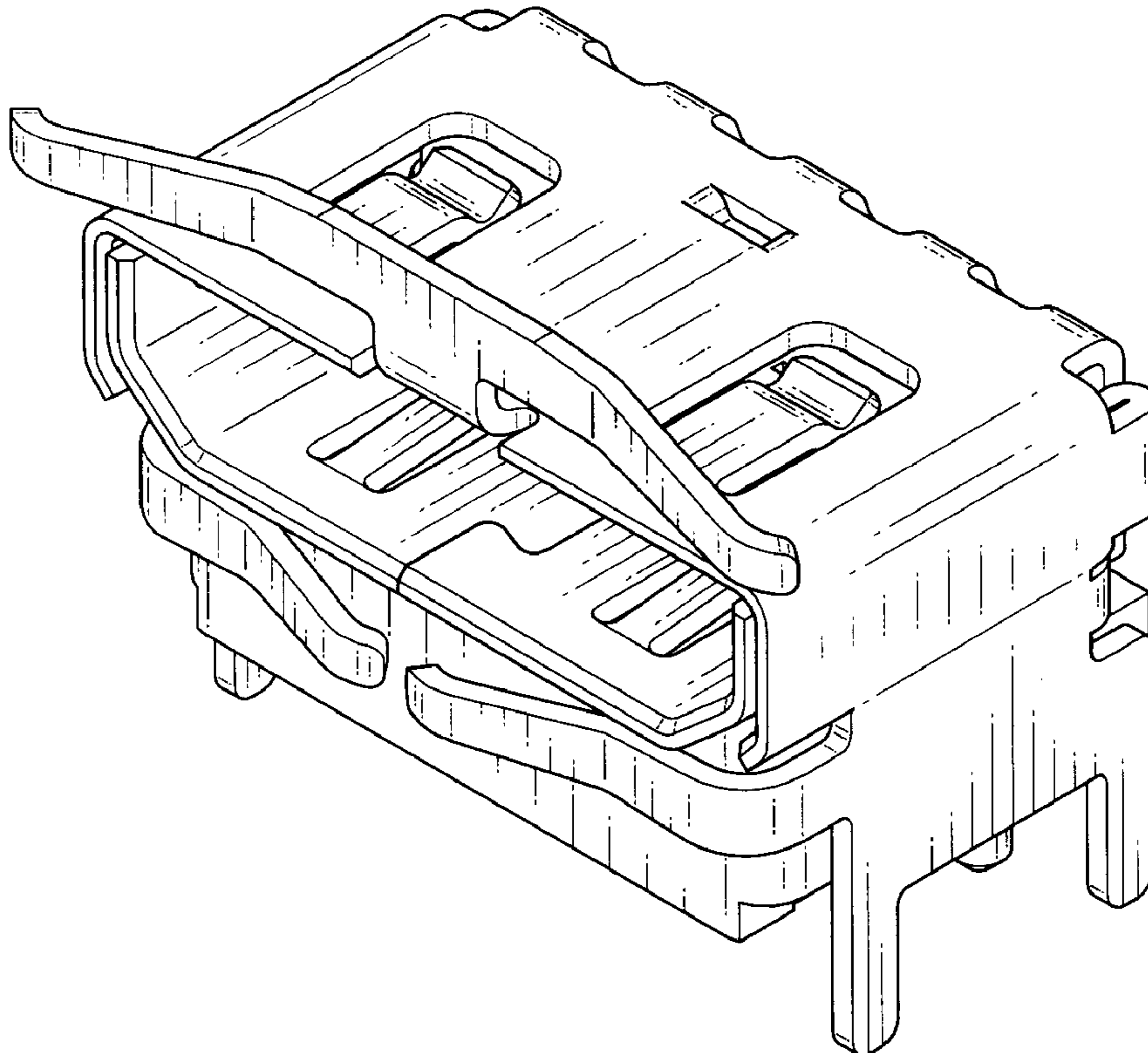


Fig. 1

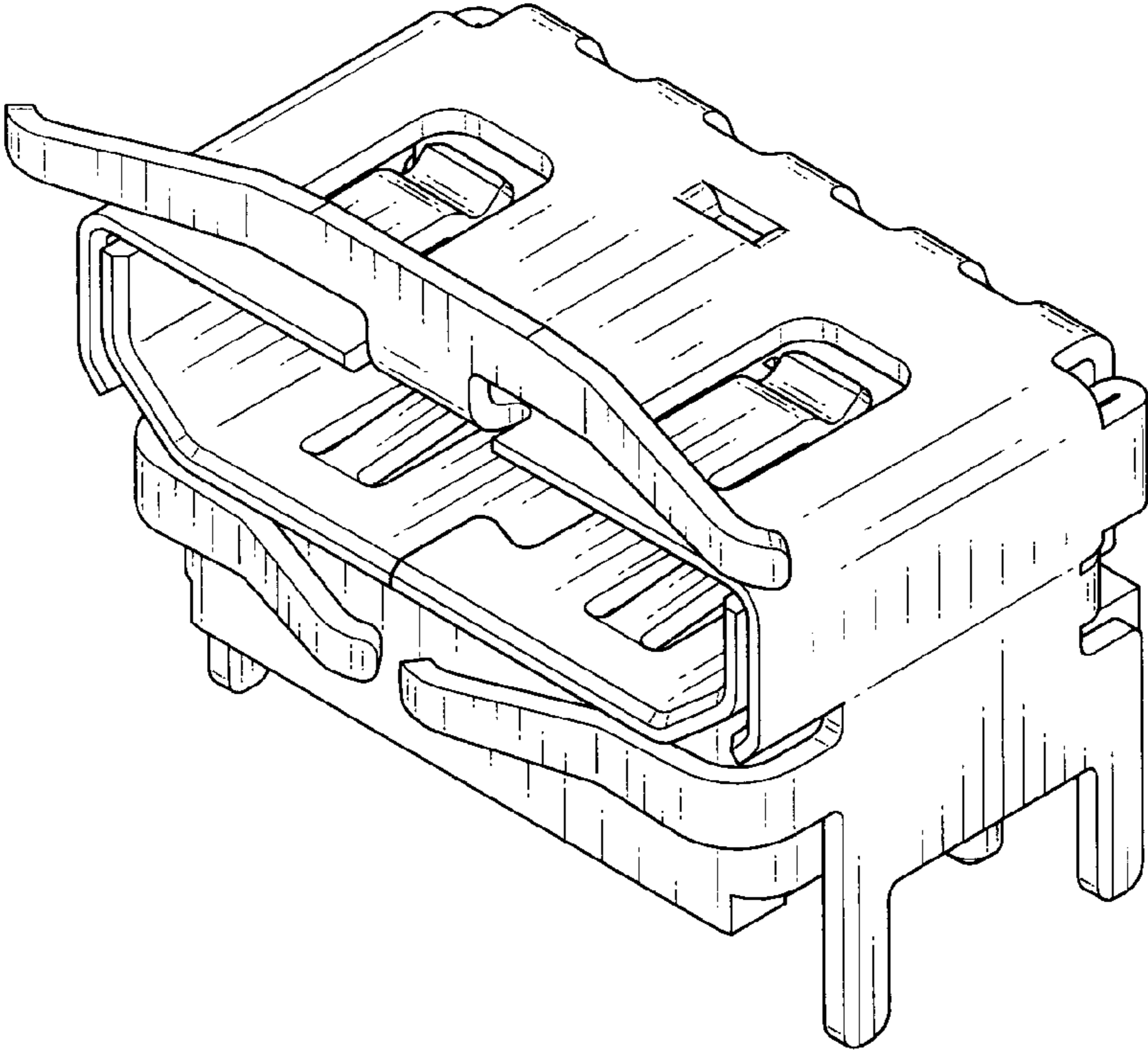


Fig. 2

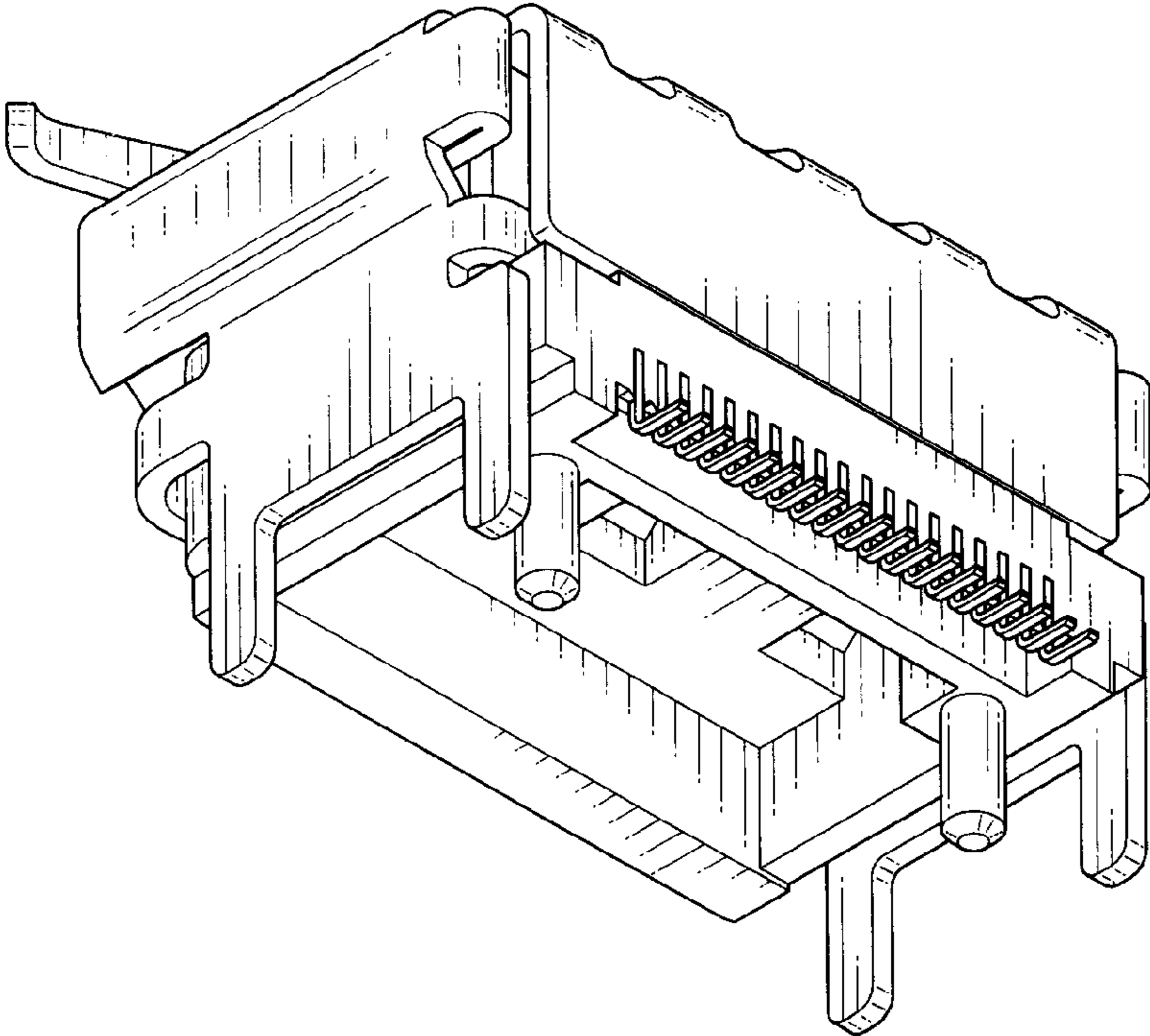


Fig. 3

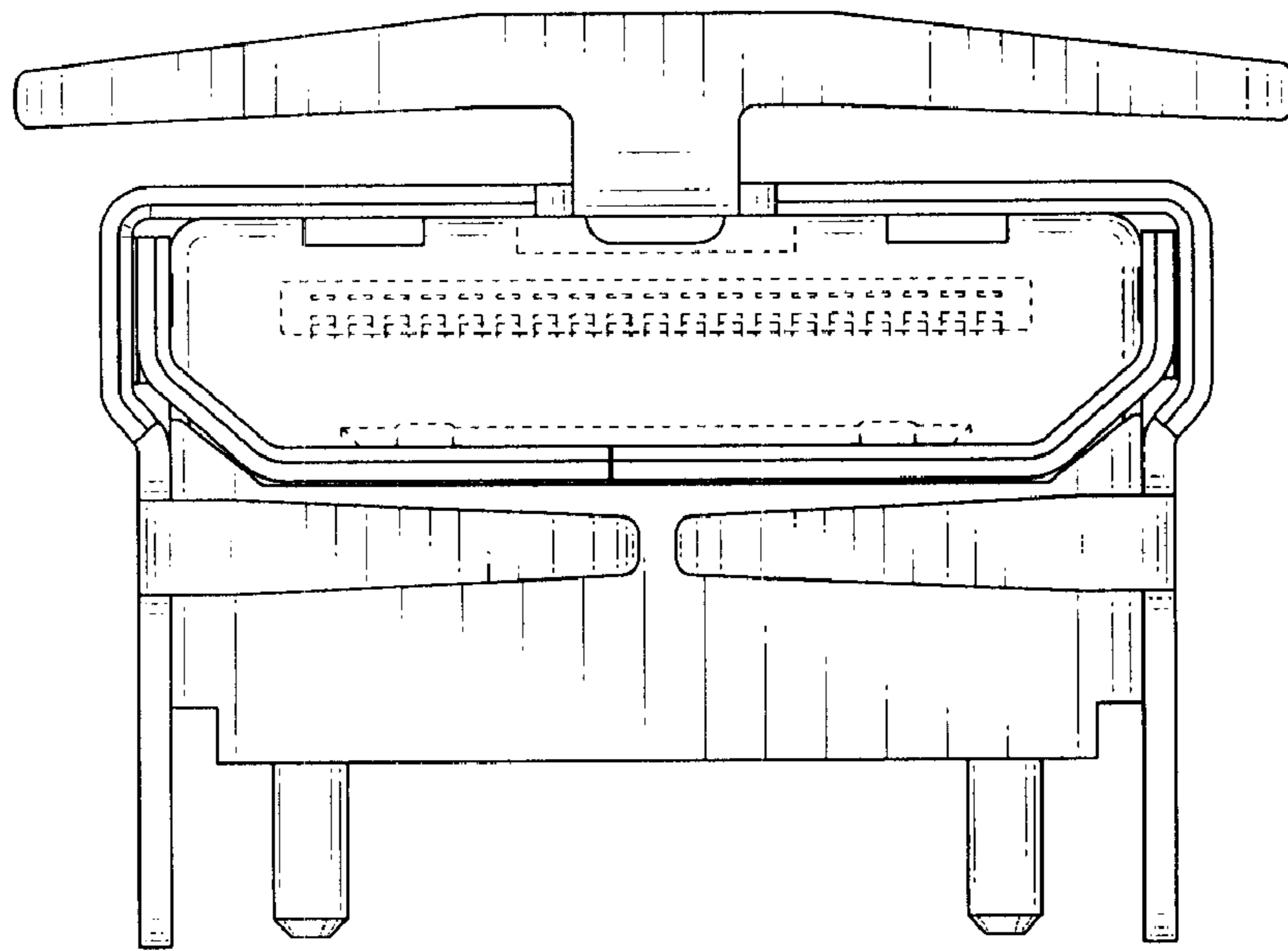


Fig. 4

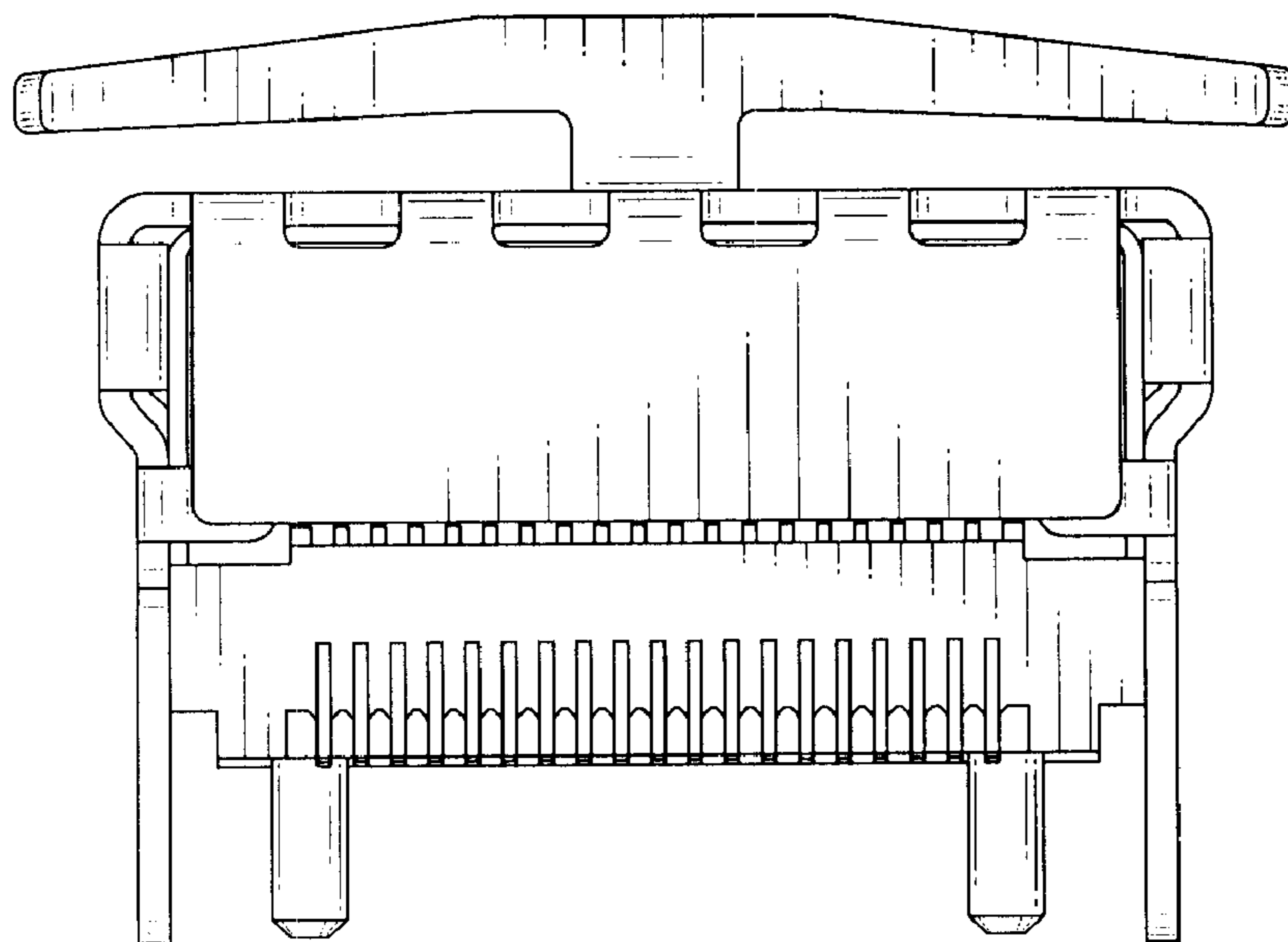


Fig. 5

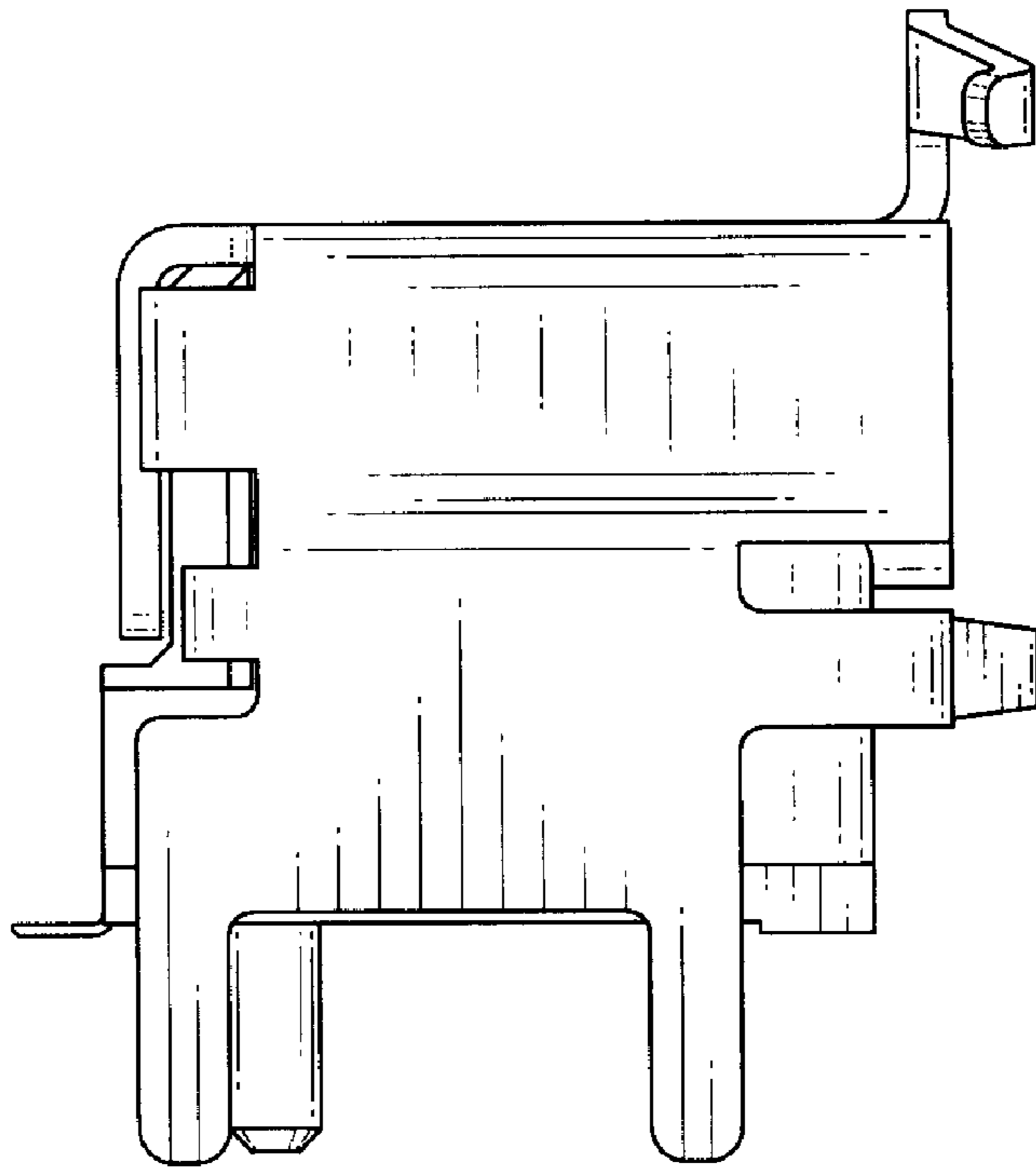


Fig. 6

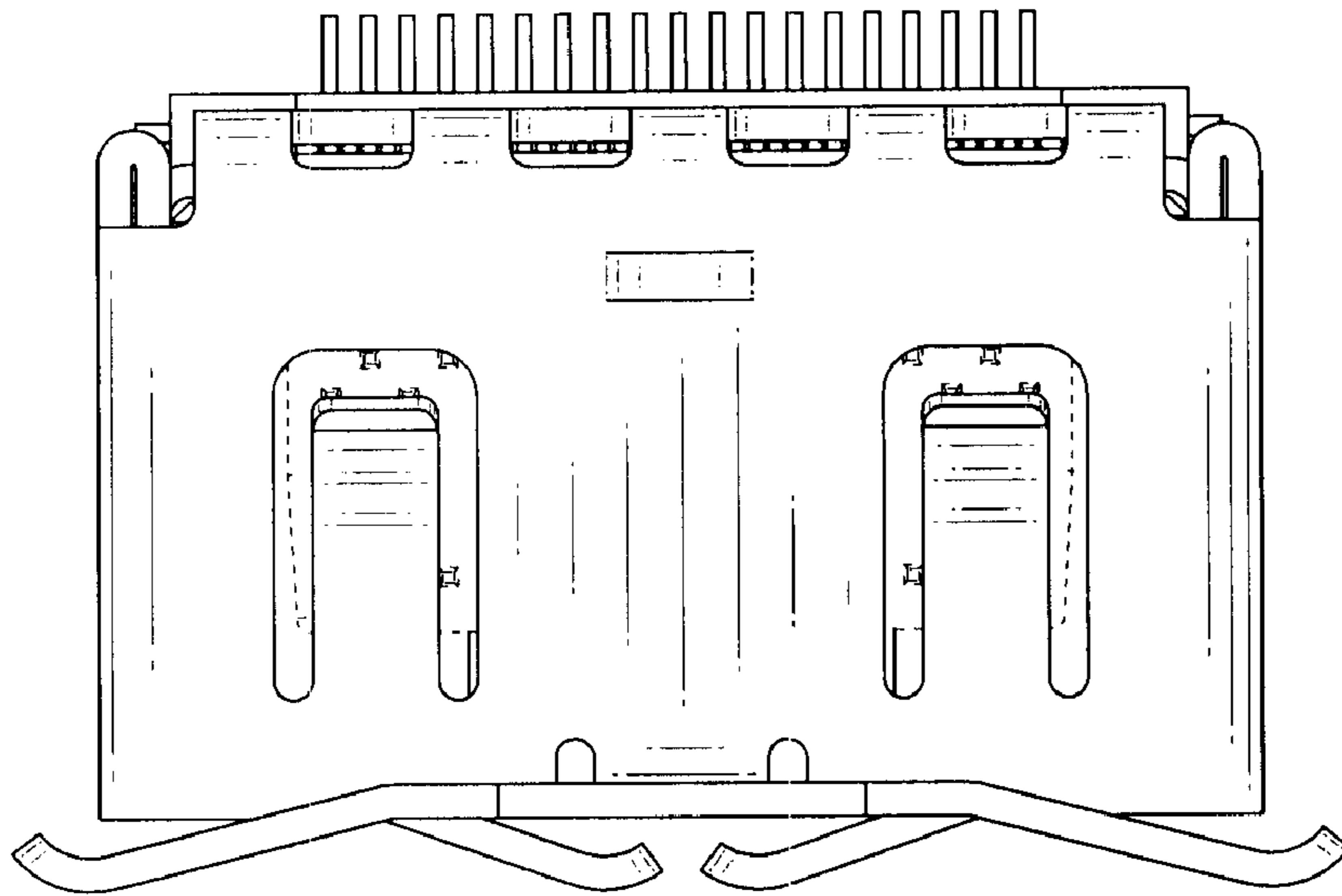


Fig. 7

