



US00D618620S

(12) **United States Design Patent**
Nagata

(10) **Patent No.:** **US D618,620 S**
(45) **Date of Patent:** **** Jun. 29, 2010**

(54) **ELECTRICAL CONNECTOR**

(75) Inventor: **Takayuki Nagata, Yao (JP)**

(73) Assignee: **Hosiden Corporation, Osaka (JP)**

(**) Term: **14 Years**

(21) Appl. No.: **29/341,087**

(22) Filed: **Jul. 30, 2009**

(30) **Foreign Application Priority Data**

Feb. 3, 2009	(JP)	2009-002136
Feb. 3, 2009	(JP)	2009-002137
Feb. 3, 2009	(JP)	2009-002138
Feb. 16, 2009	(JP)	2009-002991

(51) **LOC (9) Cl.** **13-03**

(52) **U.S. Cl.** **D13/147**

(58) **Field of Classification Search** D13/147,
D13/154, 184; 439/108, 476.1, 483, 527,
439/533, 607-610, 892, 894

See application file for complete search history.

(56) **References Cited**

U.S. PATENT DOCUMENTS

D432,992 S *	10/2000	Lok	D13/147
D538,232 S *	3/2007	Wan et al.	D13/147
D548,191 S *	8/2007	Arai et al.	D13/147

D586,754 S *	2/2009	Yuan et al.	D13/147
D593,495 S *	6/2009	Zhu et al.	D13/147
D593,496 S *	6/2009	Zhu et al.	D13/147
D600,646 S *	9/2009	Han et al.	D13/147

* cited by examiner

Primary Examiner—Daniel D Bui

(74) *Attorney, Agent, or Firm*—Rankin, Hill & Clark LLP

(57) **CLAIM**

The ornamental design for an electrical connector, as shown and described.

DESCRIPTION

FIG. 1 is a front, right side and top perspective view of an electrical connector showing my new design;

FIG. 2 is a rear, left side and bottom perspective view thereof;

FIG. 3 is a front elevation view thereof;

FIG. 4 is a rear elevation view thereof;

FIG. 5 is a left side view thereof, a right side view being a mirror image thereof;

FIG. 6 is a top plan view thereof; and,

FIG. 7 is a bottom plan view thereof.

The broken line portion of the figure drawings is included to show unclaimed subject matter only and forms no part of the claimed design.

1 Claim, 4 Drawing Sheets

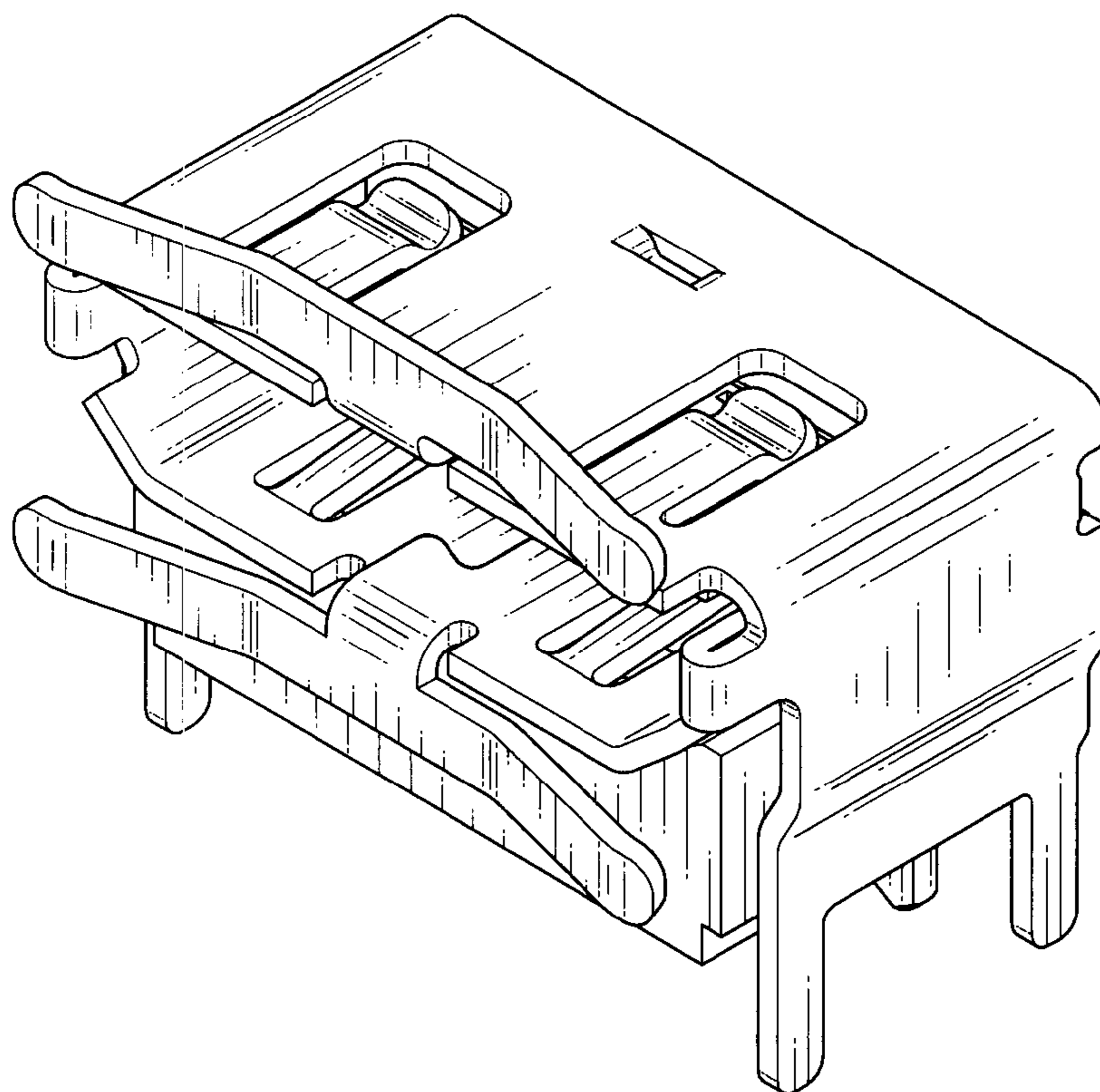


FIG. 1

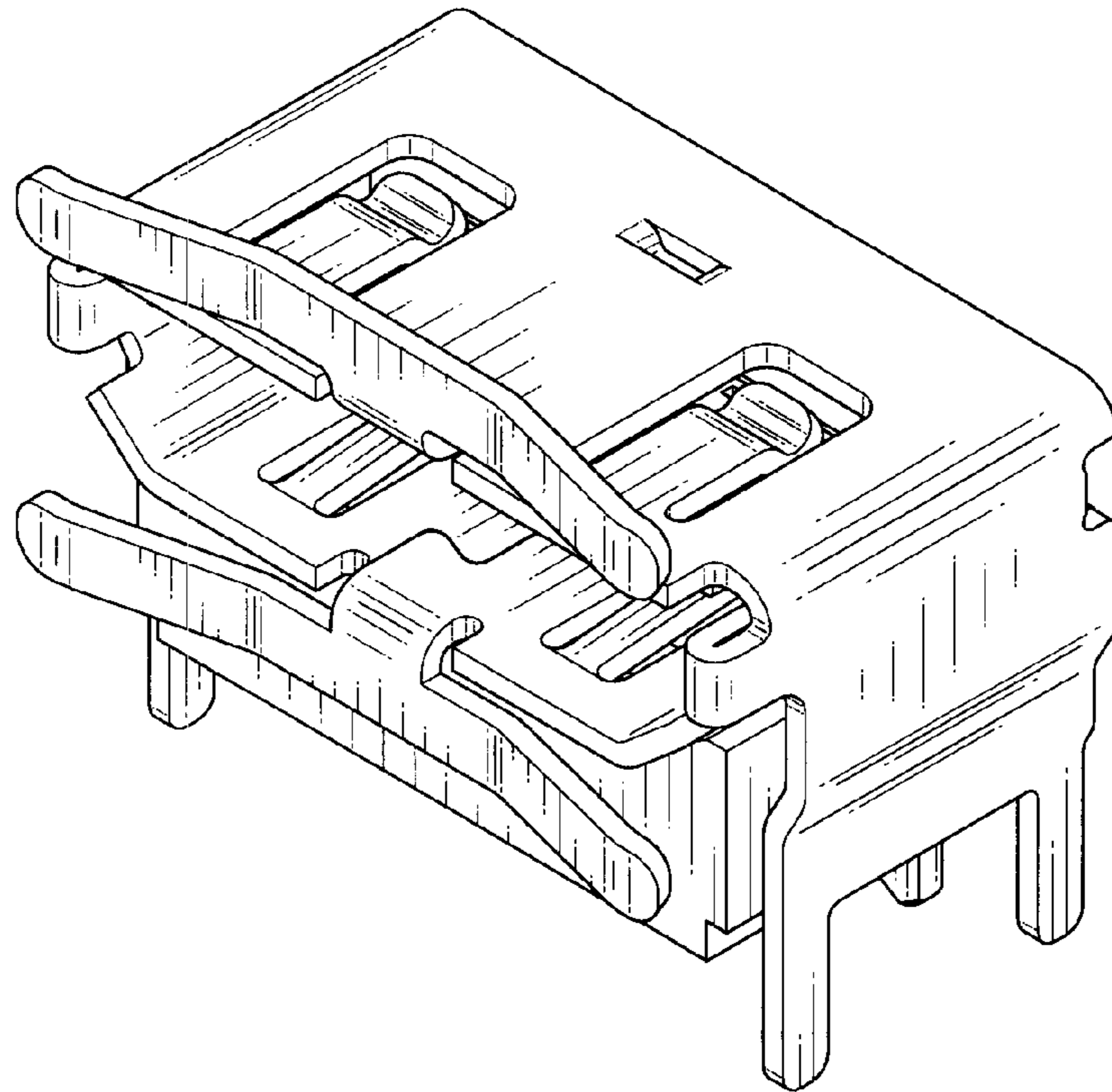


FIG. 2

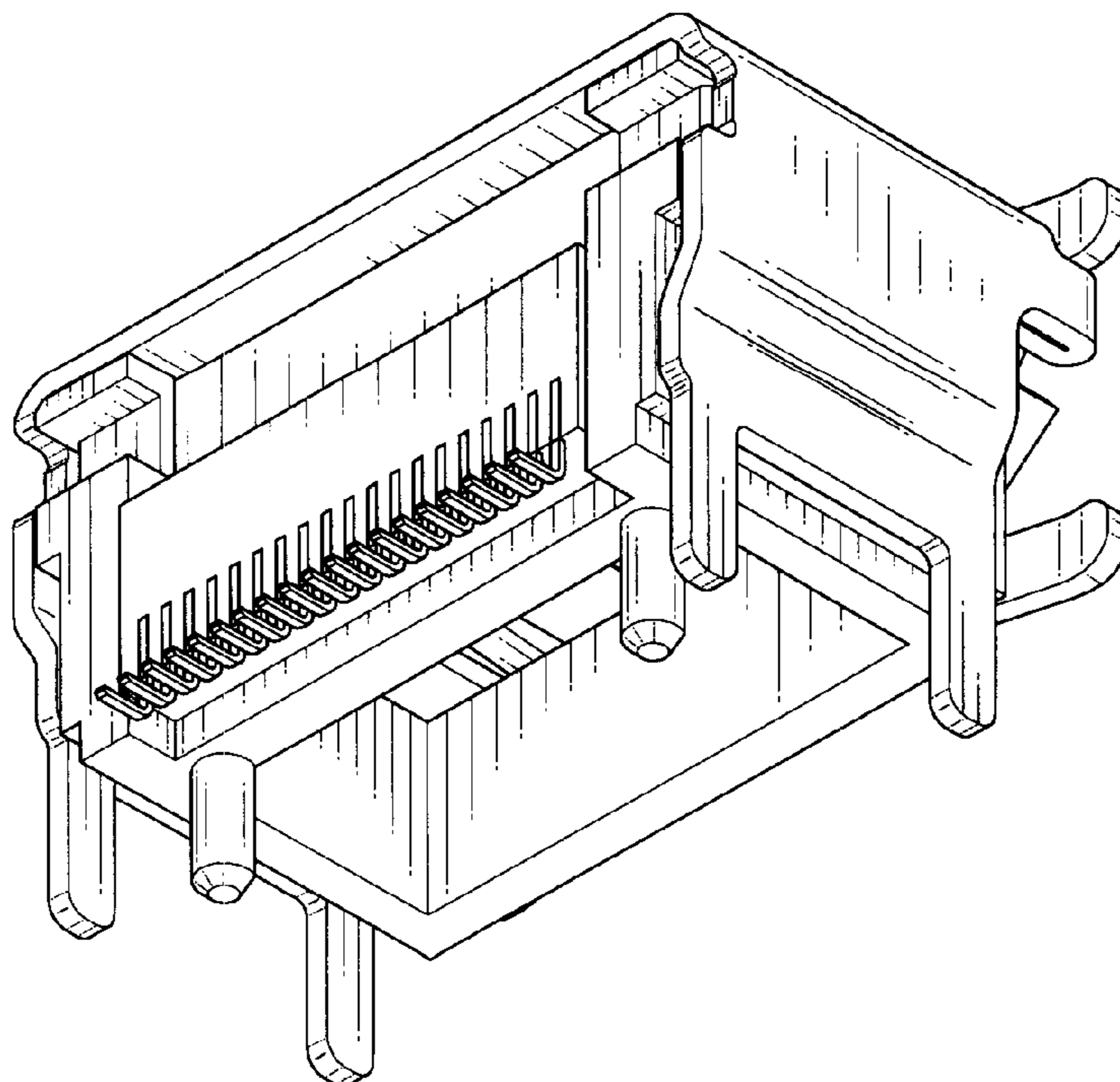


FIG. 3

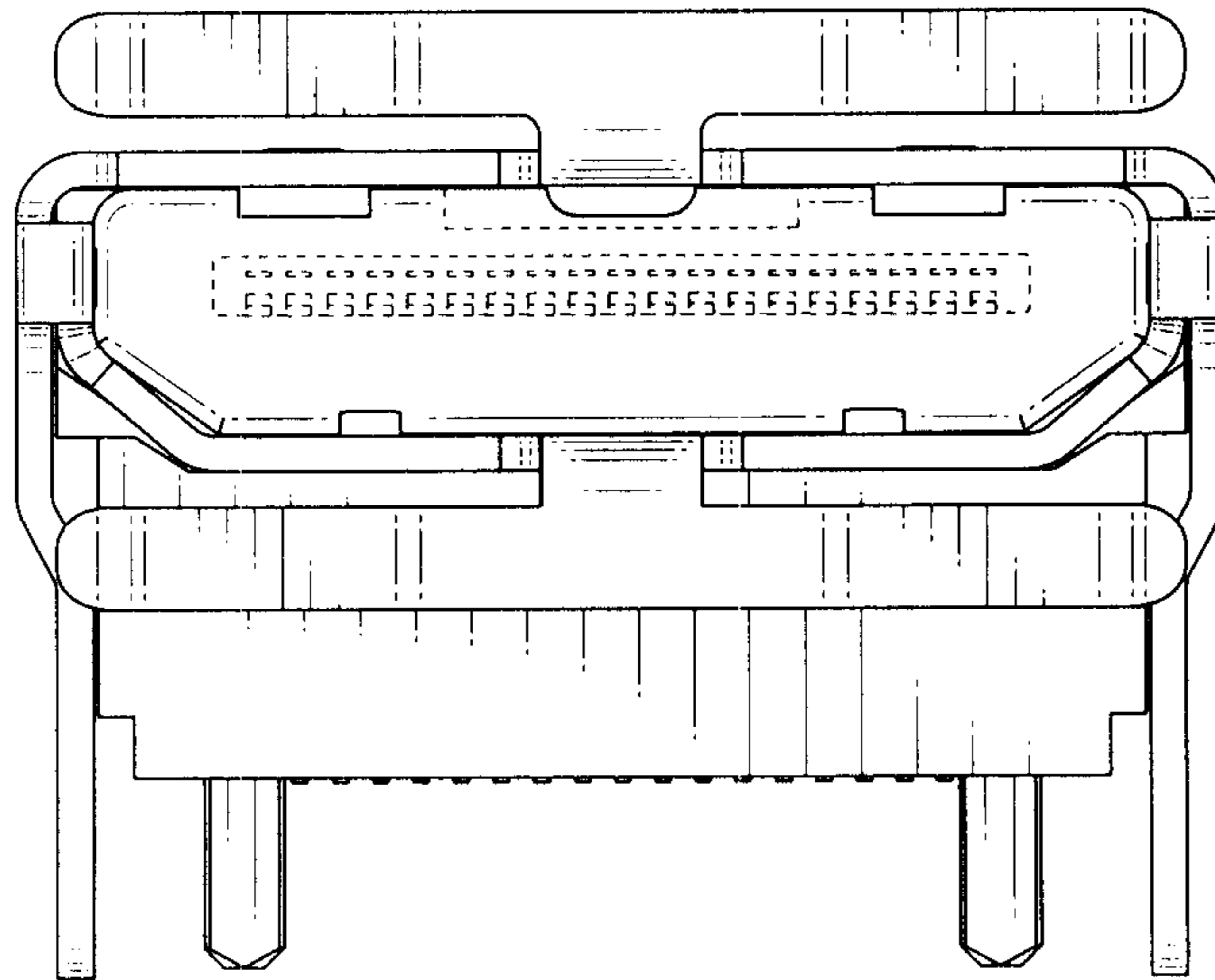


FIG. 4

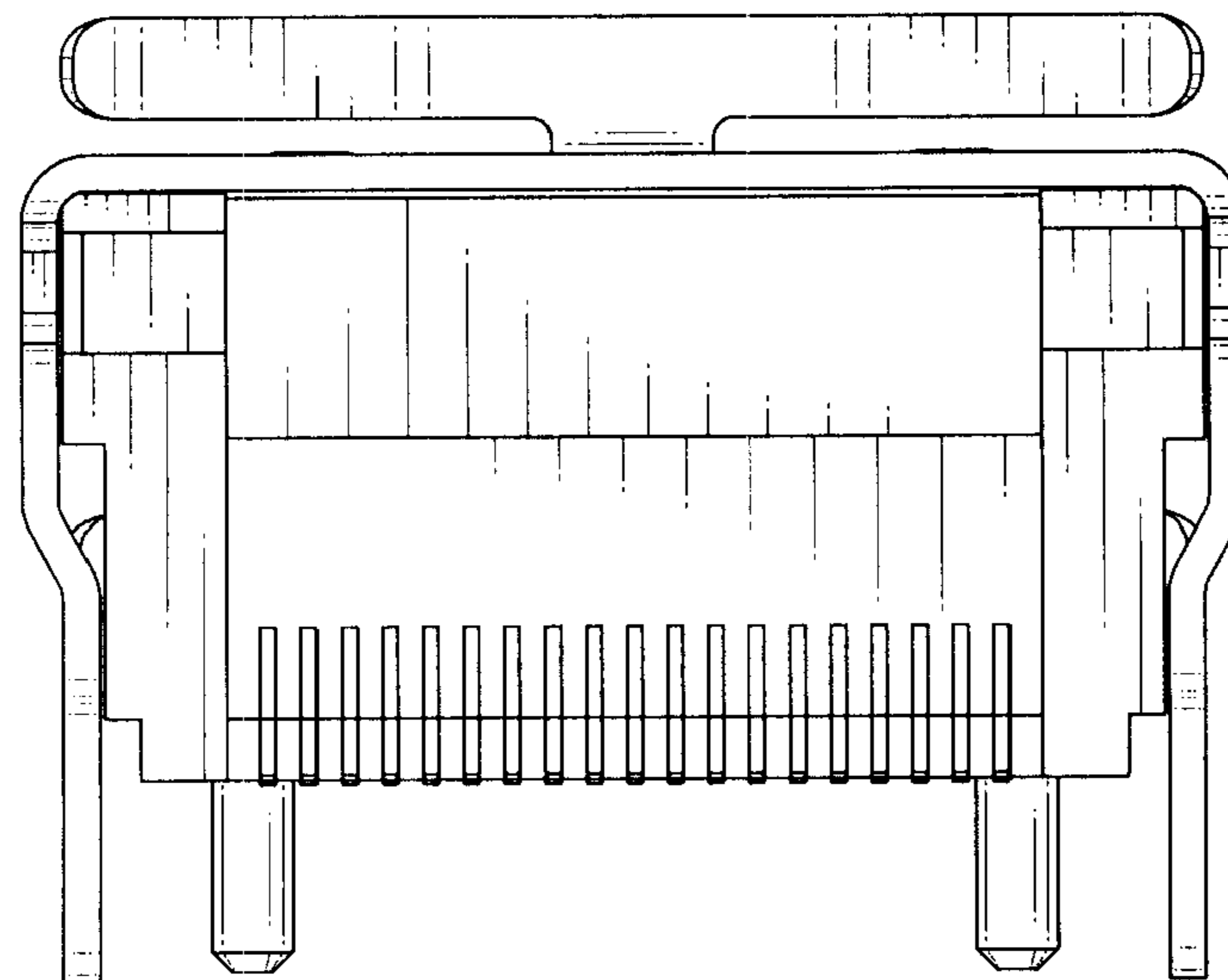


FIG. 5

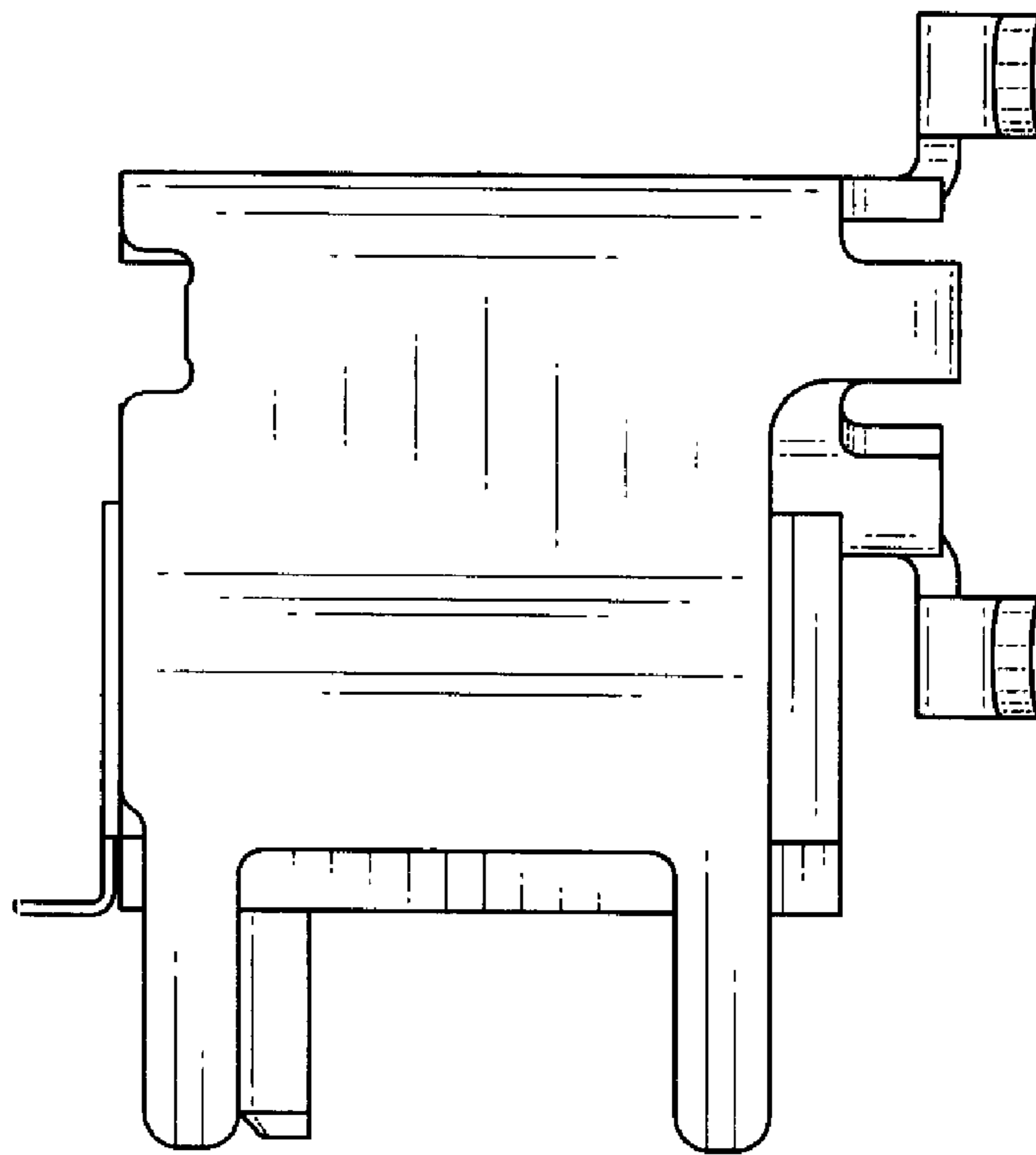


FIG. 6

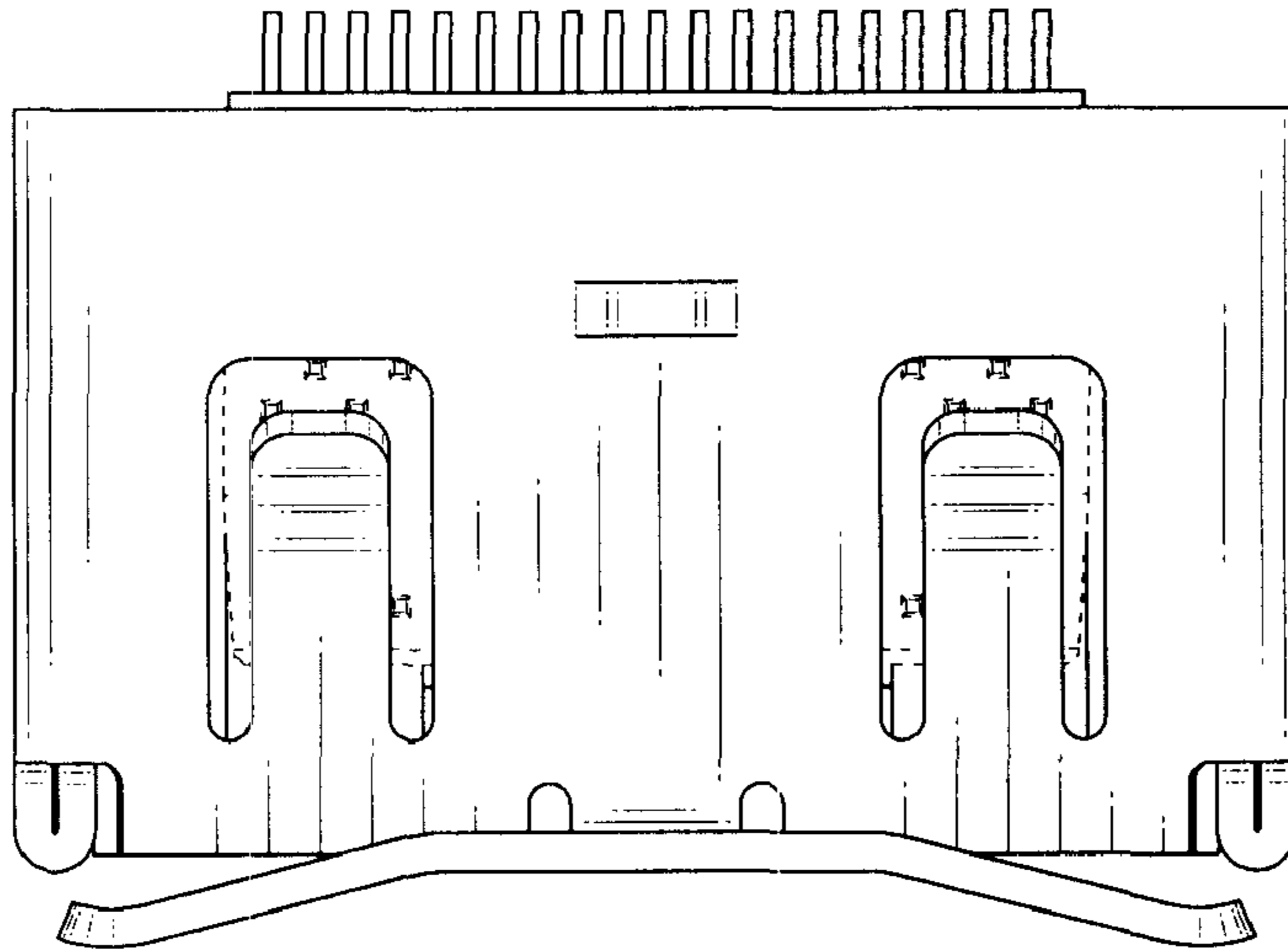


FIG. 7

