



US00D618616S

(12) **United States Design Patent**
Kesler

(10) **Patent No.:** **US D618,616 S**
(45) **Date of Patent:** **** *Jun. 29, 2010**

(54) **CONNECTOR**

(75) Inventor: **James R. Kesler**, Pullman, WA (US)
(73) Assignee: **Schweitzer Engineering Laboratories, Inc.**, Pullman, WA (US)
(**) Term: **14 Years**

(21) Appl. No.: **29/343,745**
(22) Filed: **Sep. 18, 2009**

(51) **LOC (9) Cl.** **13-03**
(52) **U.S. Cl.** **D13/133**
(58) **Field of Classification Search** D13/133,
D13/146, 147, 151, 154, 184, 199; 439/350,
439/358, 352, 353, 586, 595-598, 660, 668,
439/669, 682

See application file for complete search history.

(56) **References Cited**

U.S. PATENT DOCUMENTS

D342,937 S *	1/1994	Angel et al.	D13/146
D370,204 S *	5/1996	Kittridge	D13/146
D409,125 S *	5/1999	Wang	D12/162
D509,474 S *	9/2005	Bihrer	D13/146
D559,785 S *	1/2008	Tosetti	D13/147
D587,653 S *	3/2009	Barnes et al.	D13/138.1
D601,092 S *	9/2009	Rupp et al.	D13/147
D608,737 S *	1/2010	Upham et al.	D13/147

OTHER PUBLICATIONS

AMP Soft Shell Pin and Socket Connectors, Universal MATE-N-LOK II Connectors, Catalog 82181, Sep. 1994.

* cited by examiner

Primary Examiner—Daniel D Bui

Assistant Examiner—Thomas J Johannes

(74) *Attorney, Agent, or Firm*—Richard M. Edge

(57) **CLAIM**

The ornamental design for a connector, substantially as shown and described.

DESCRIPTION

FIG. 1 is a top elevation view of a connector showing my new design;

FIG. 2 is a front elevation view thereof;

FIG. 3 is a back elevation view thereof;

FIG. 4 is a left-side view thereof;

FIG. 5 is a right-side view thereof;

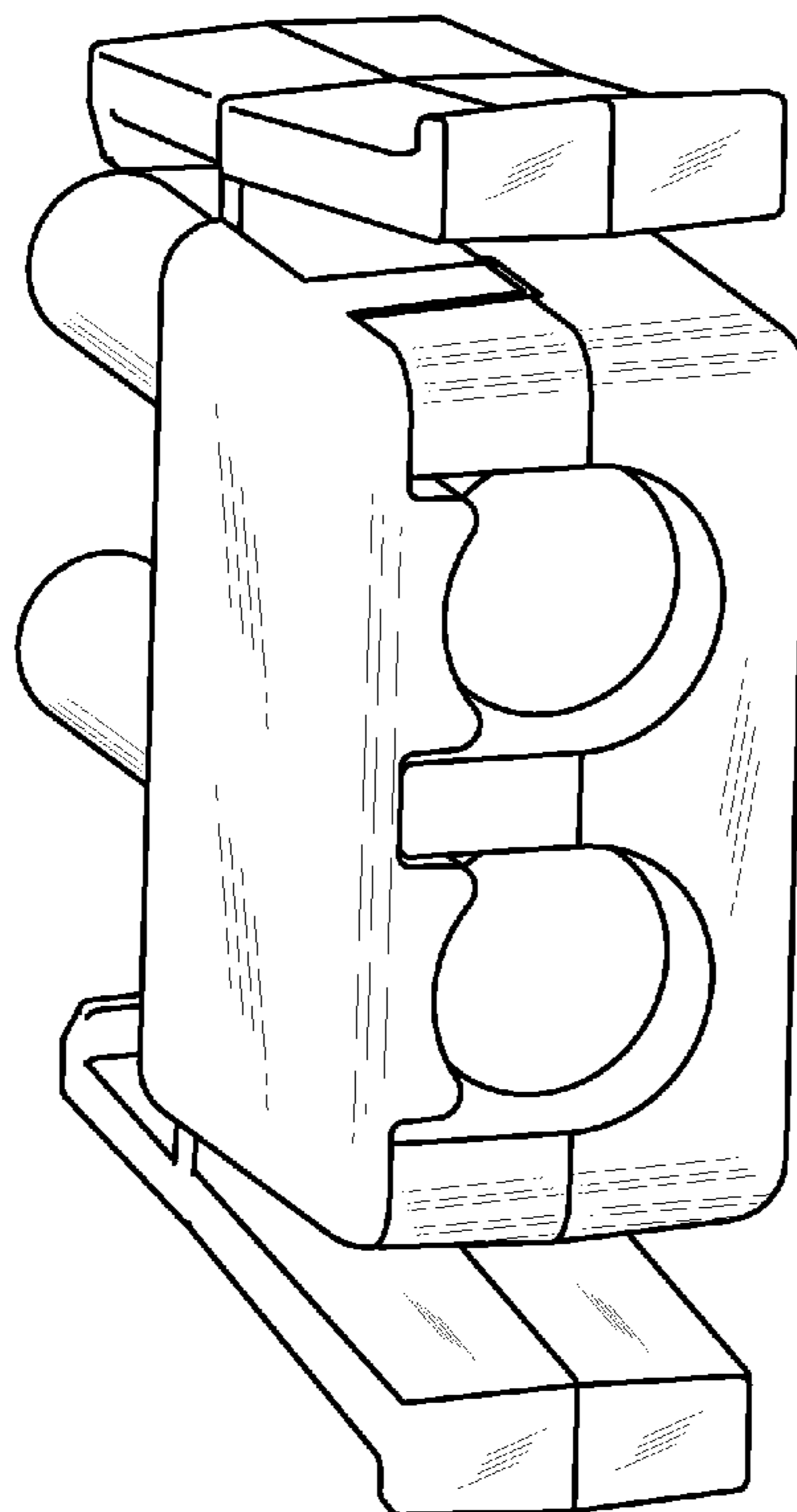
FIG. 6 is a bottom view thereof;

FIG. 7 is a perspective view thereof; and,

FIG. 8 is a perspective view thereof as used in a typical usage environment.

The broken line portion of the figure drawings showing a typical usage environment consisting of an intelligent electronic device in FIG. 8 is included to show unclaimed subject matter only and forms no part of the claimed design.

1 Claim, 6 Drawing Sheets



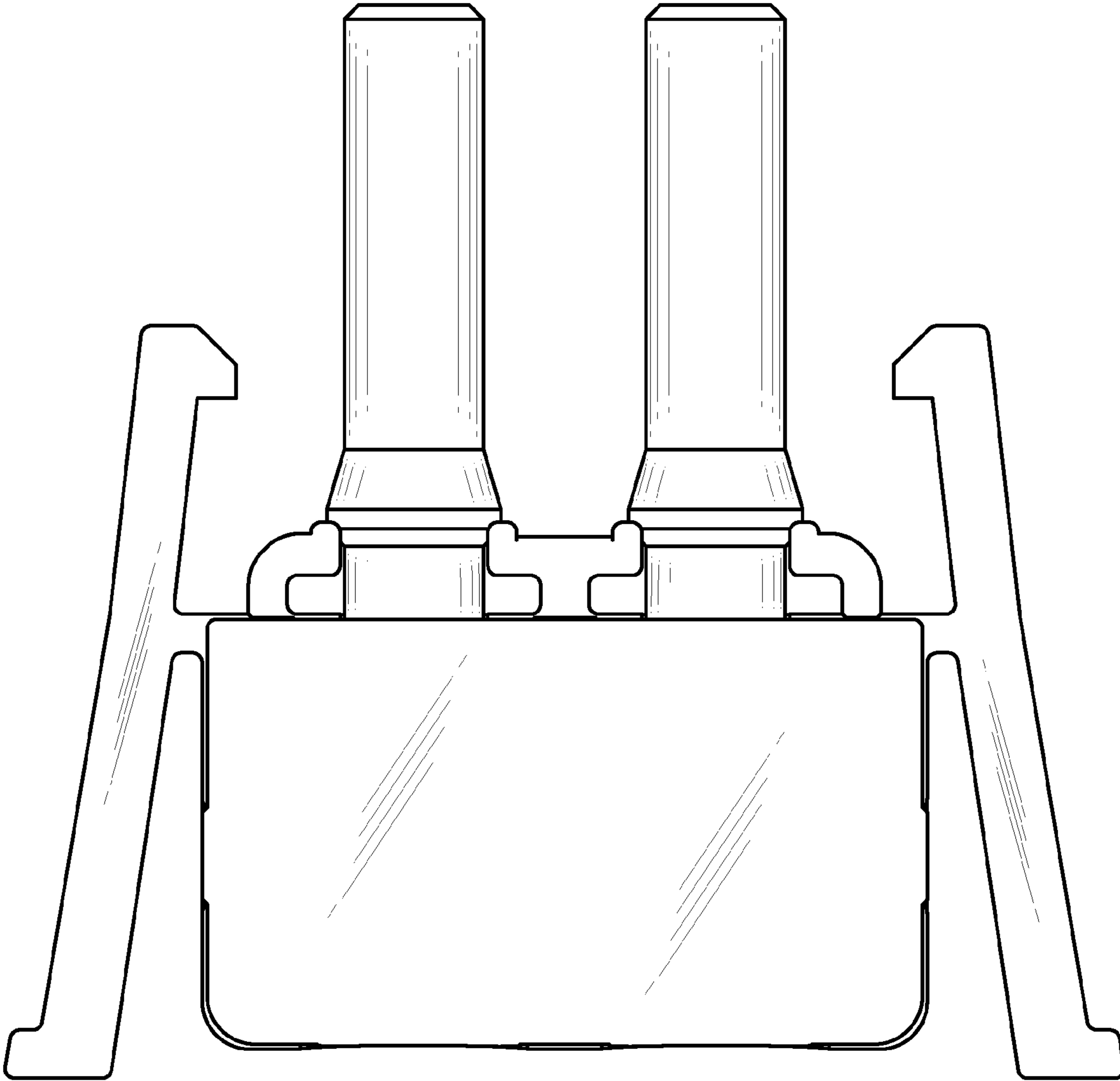


FIGURE 1

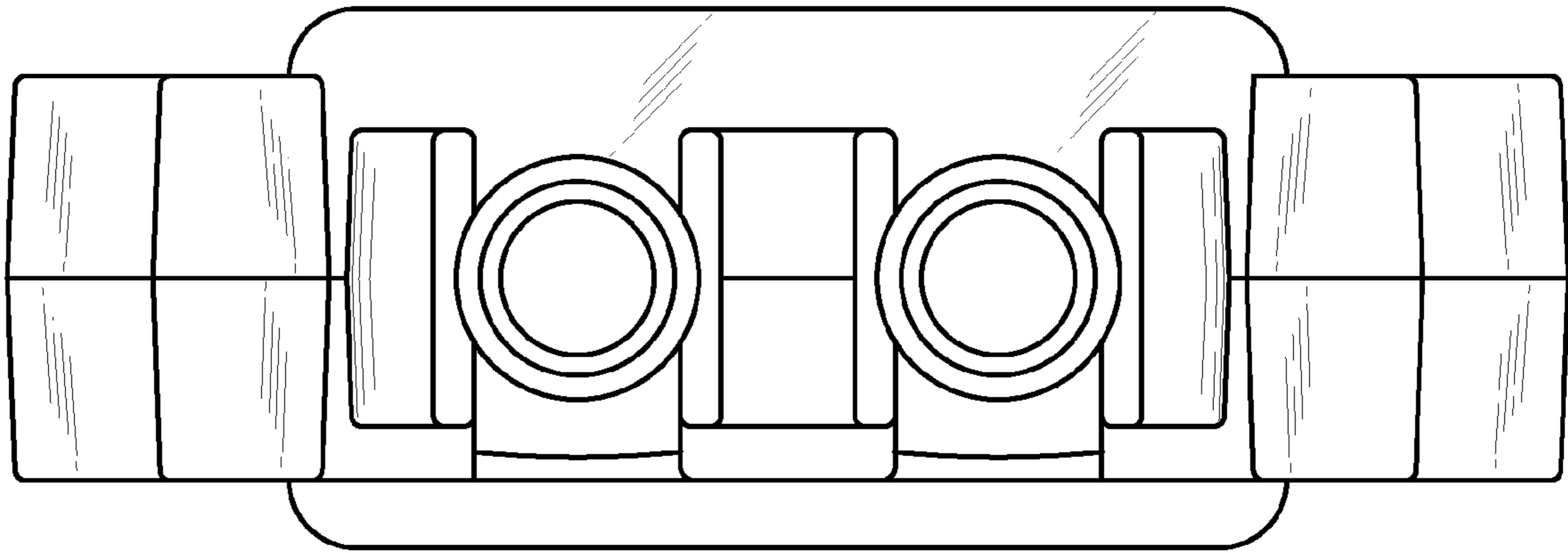


FIGURE 2

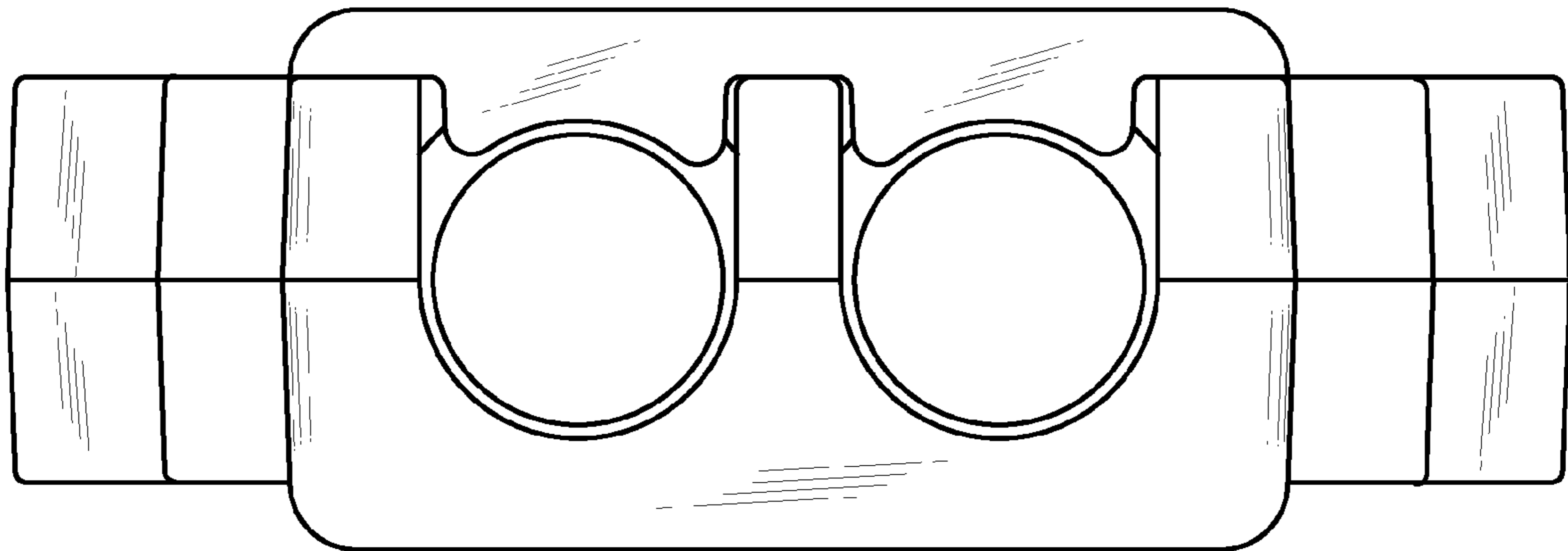


FIGURE 3

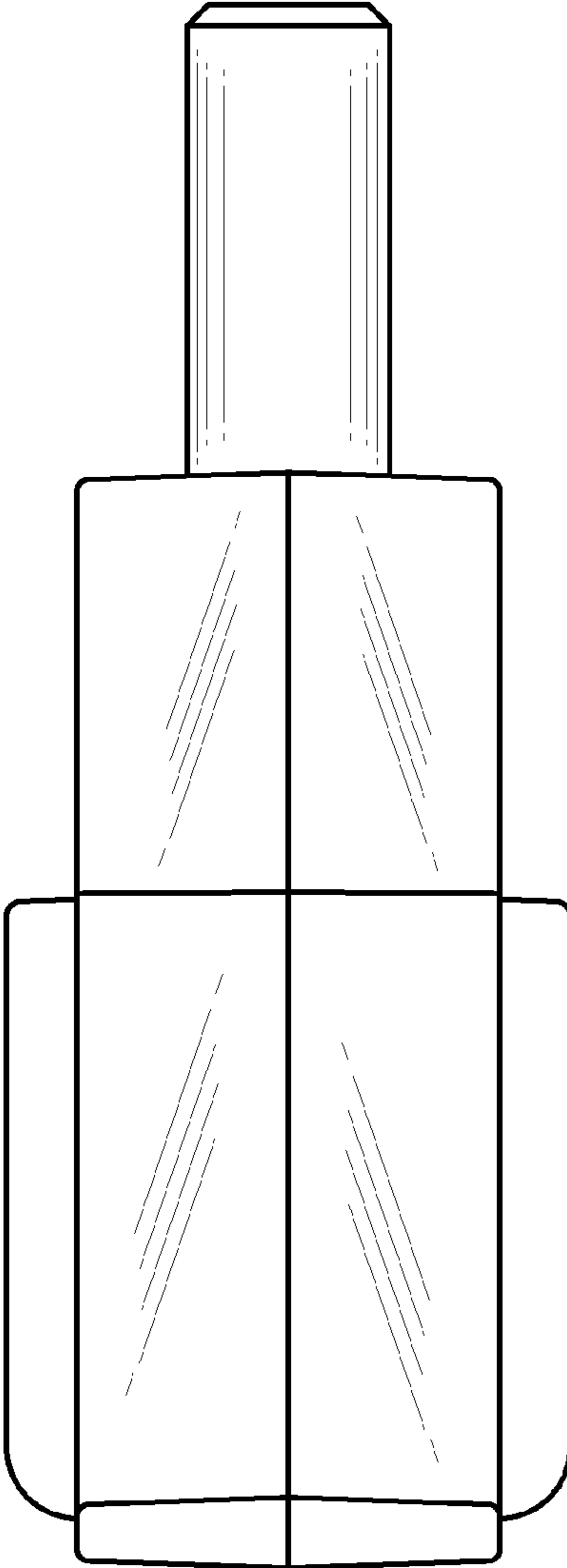


FIGURE 4

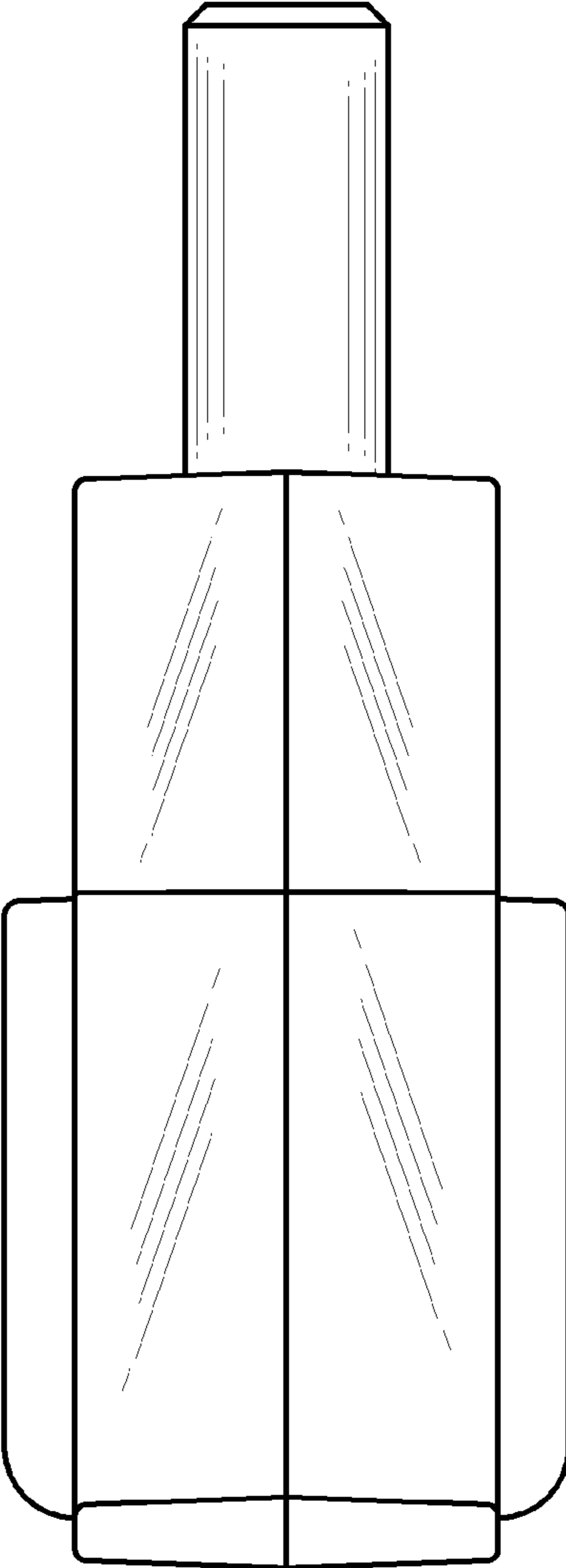


FIGURE 5

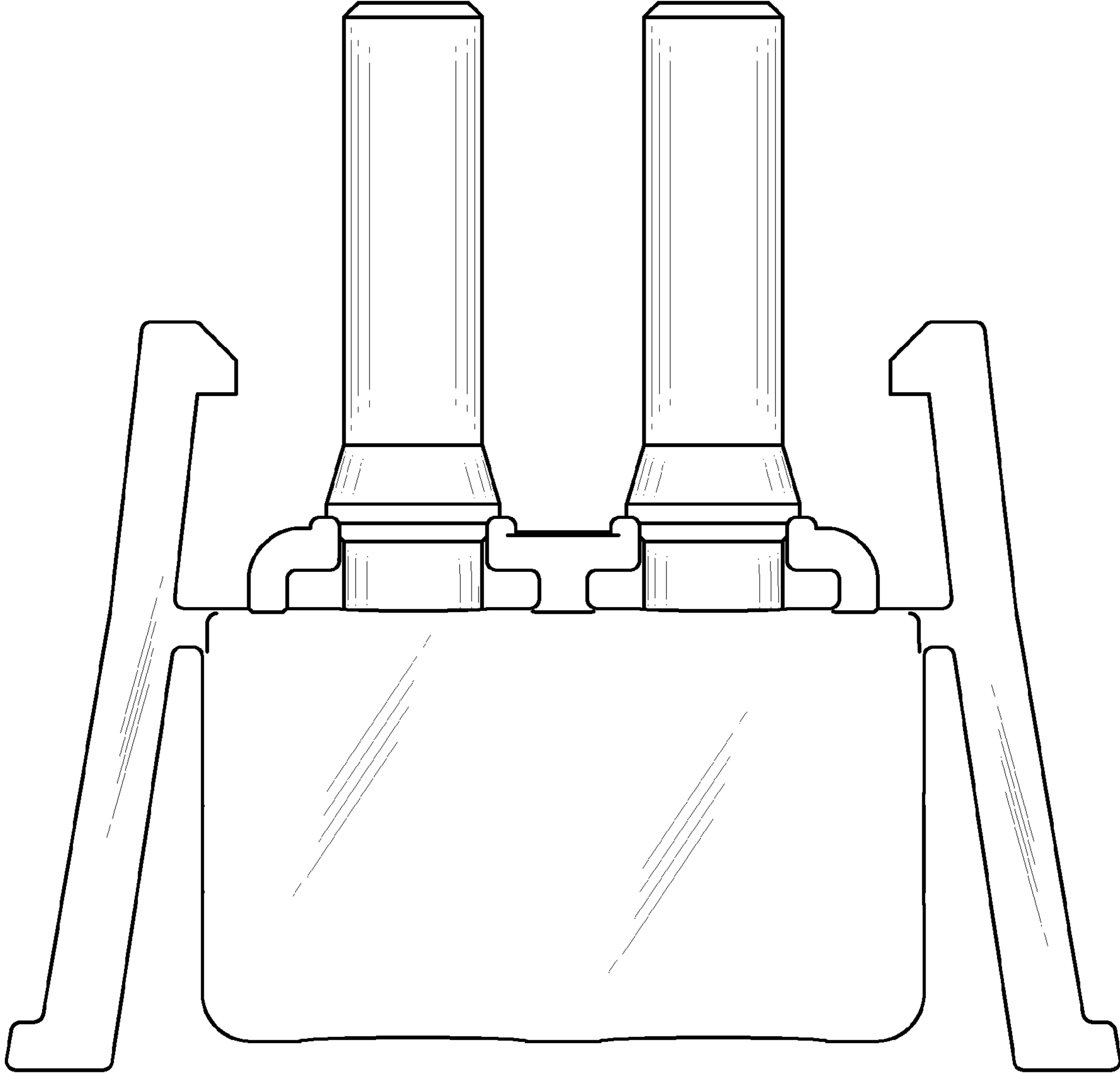


FIGURE 6

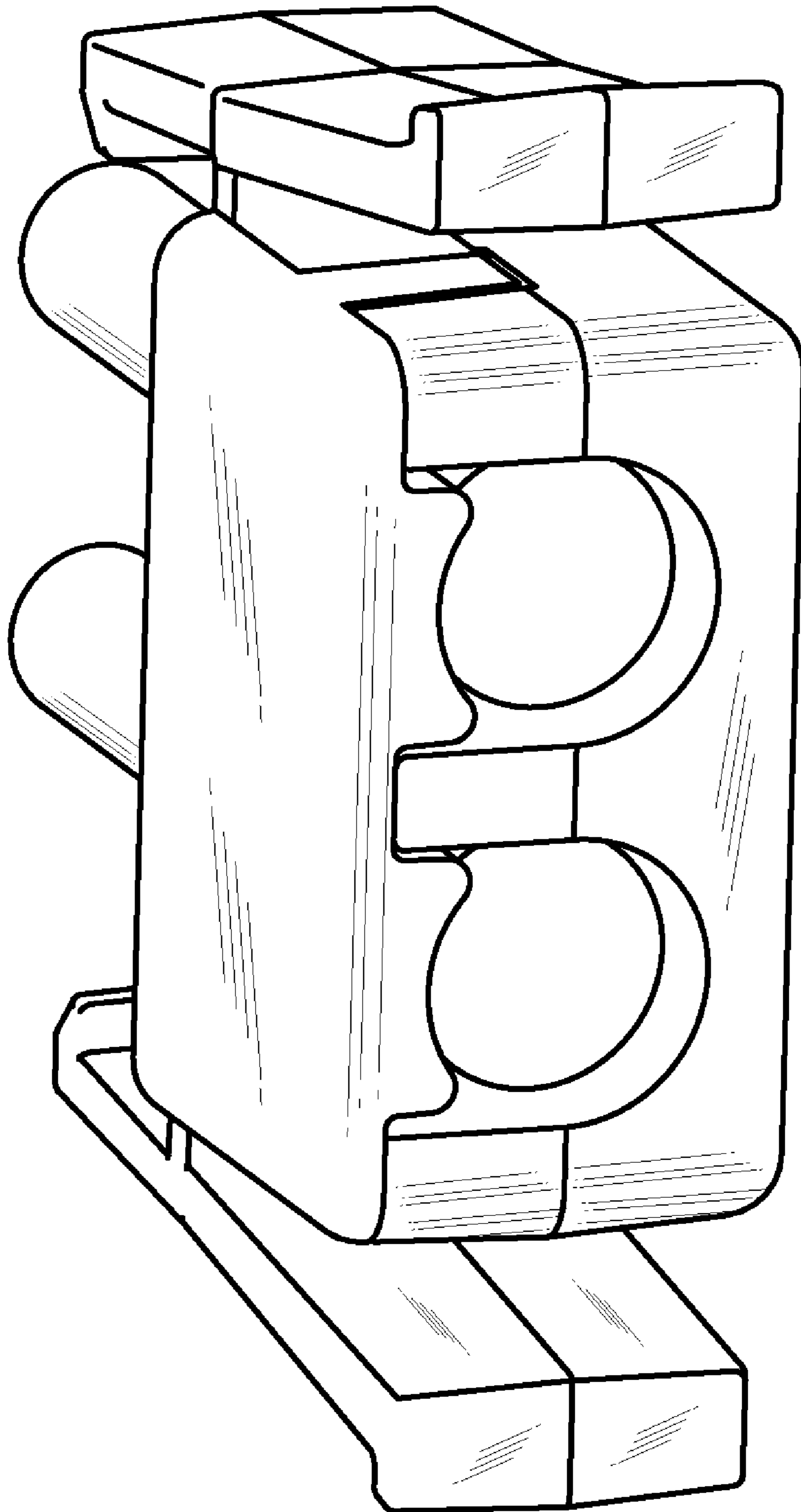


FIGURE 7

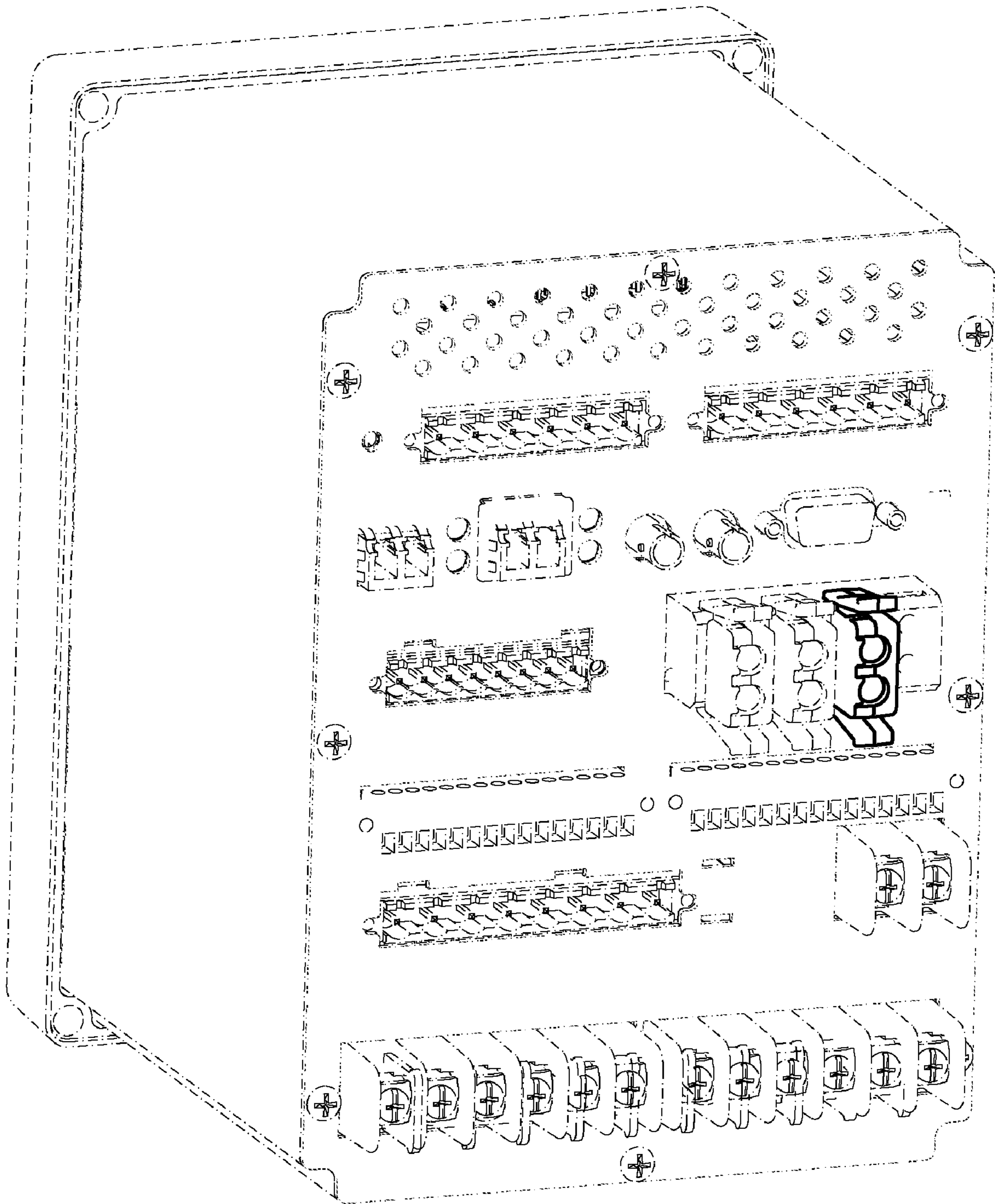


FIGURE 8