



US00D618607S

(12) **United States Design Patent**
Hilpert

(10) **Patent No.:** **US D618,607 S**
(45) **Date of Patent:** **** Jun. 29, 2010**

(54) **WHEEL OR WHEEL COVER**

(75) Inventor: **Kai Hilpert**, Plochingen (DE)

(73) Assignee: **Daimler AG**, Stuttgart (DE)

(**) Term: **14 Years**

(21) Appl. No.: **29/347,023**

(22) Filed: **Aug. 26, 2009**

(30) **Foreign Application Priority Data**

Feb. 27, 2009 (EM) 001096606-0002

(51) **LOC (9) Cl.** **12-16**

(52) **U.S. Cl.** **D12/211**

(58) **Field of Classification Search** D12/204-213;
301/37.101, 64.101, 65, 64.201

See application file for complete search history.

(56) **References Cited**

U.S. PATENT DOCUMENTS

D258,503 S *	3/1981	Semple	D12/211
D392,611 S *	3/1998	Echazabal et al.	D12/211
D447,993 S *	9/2001	Neeper	D12/211
D459,688 S *	7/2002	Wiesinger	D12/211
D499,371 S *	12/2004	Koch	D12/211
D541,726 S *	5/2007	Musser	D12/211

D545,750 S *	7/2007	Young	D12/211
D546,265 S *	7/2007	Young	D12/211
D549,634 S *	8/2007	Foose	D12/211
D570,760 S *	6/2008	Hieke	D12/211
D577,650 S *	9/2008	Chung	D12/211
D578,459 S *	10/2008	Hetrick	D12/211
D581,849 S *	12/2008	Laengerer	D12/209
D582,332 S *	12/2008	Rak	D12/209
D583,739 S *	12/2008	Gallert	D12/209
D593,019 S *	5/2009	Tirado	D12/209

* cited by examiner

Primary Examiner—Stacia Cadmus

(74) *Attorney, Agent, or Firm*—Crowell & Moring LLP

(57) **CLAIM**

The ornamental design for a wheel or wheel cover, as shown and described.

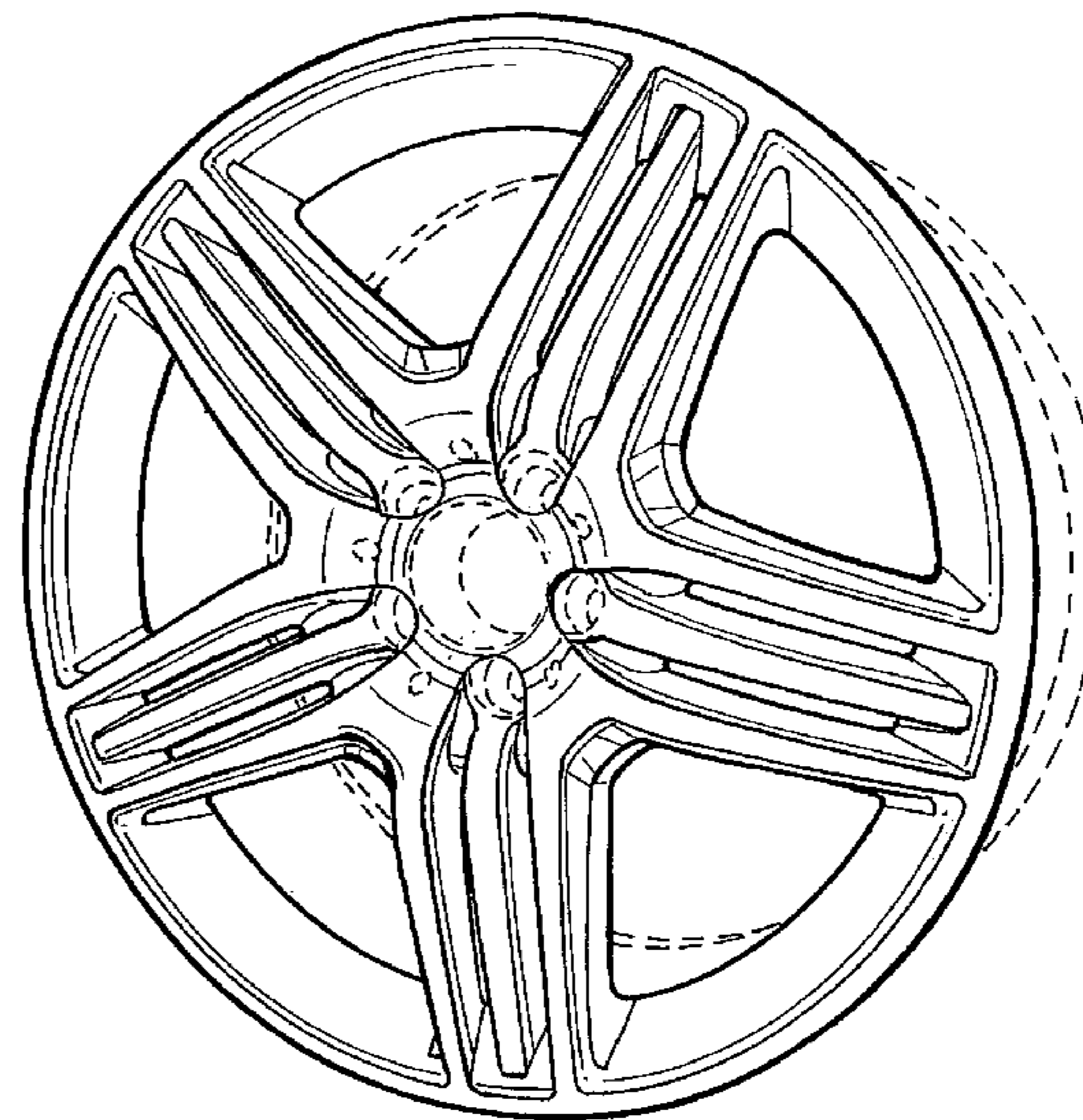
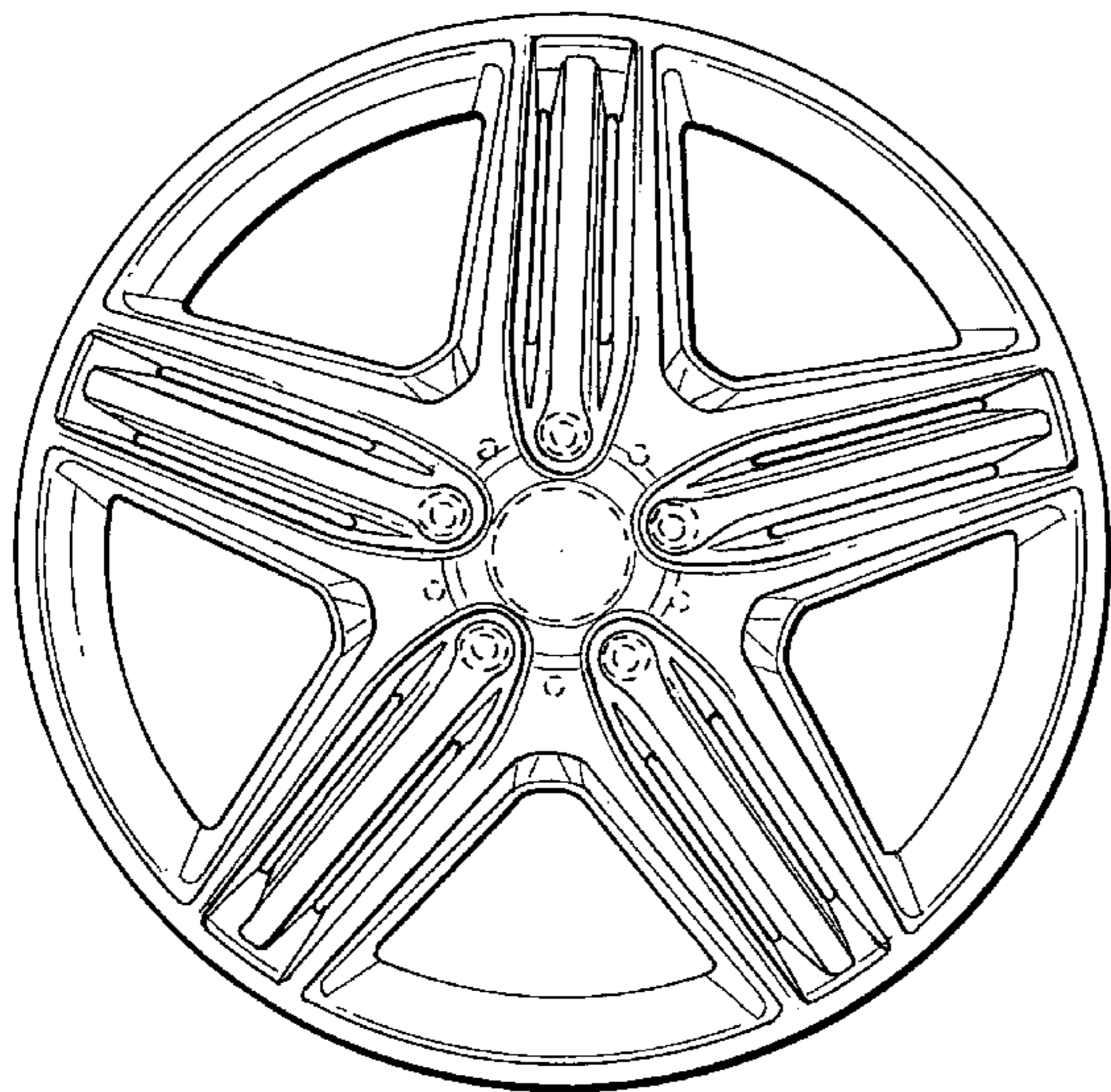
DESCRIPTION

FIG. 1 is a front view of a wheel or wheel cover according to my design; and,

FIG. 2 is a perspective view thereof.

The broken line showing of the rear of the rim and the bolt holes and center hole in the central hub area is included for the purpose of illustrating environment and forms no part of the claimed design.

1 Claim, 1 Drawing Sheet



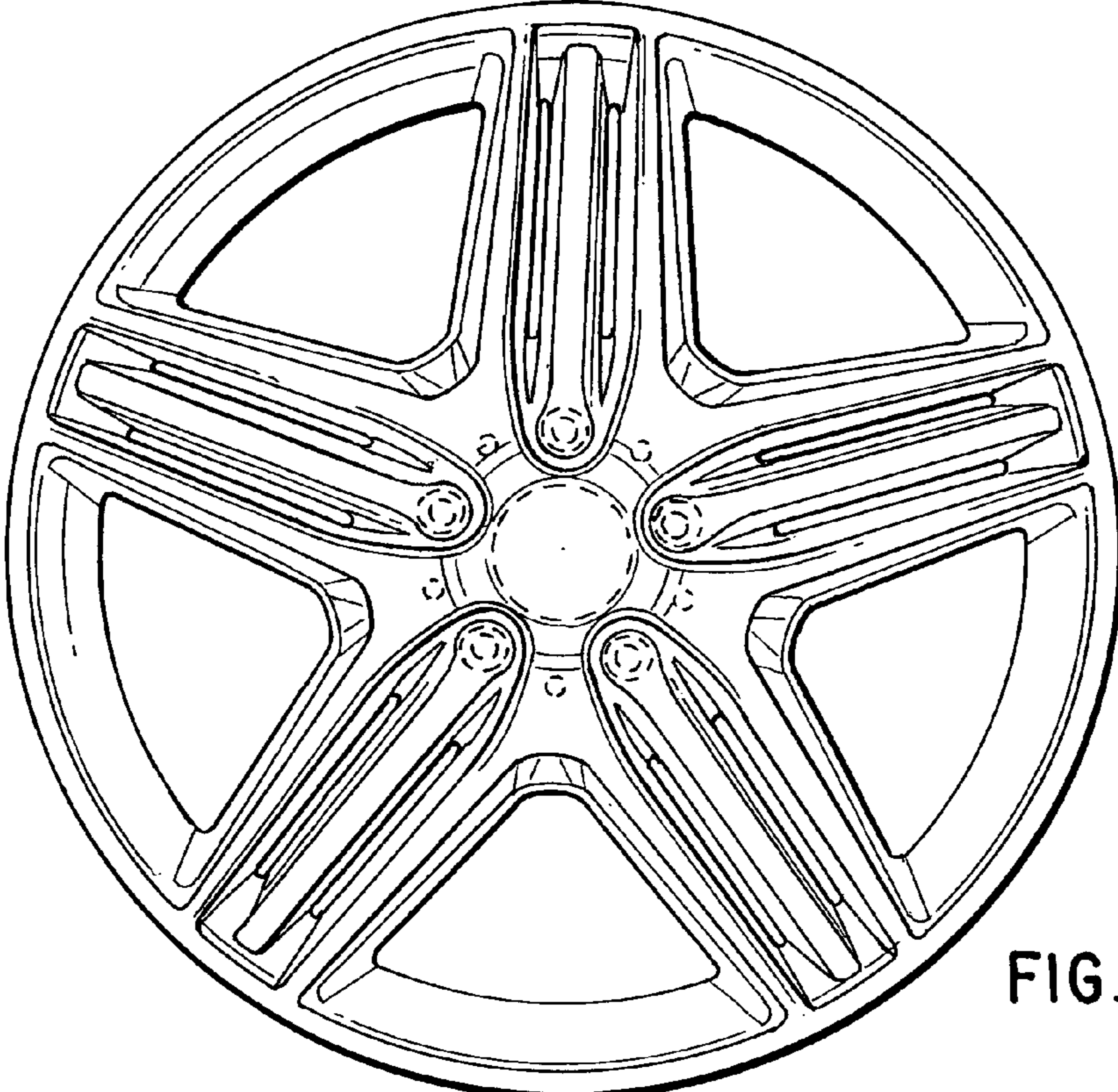


FIG. 1

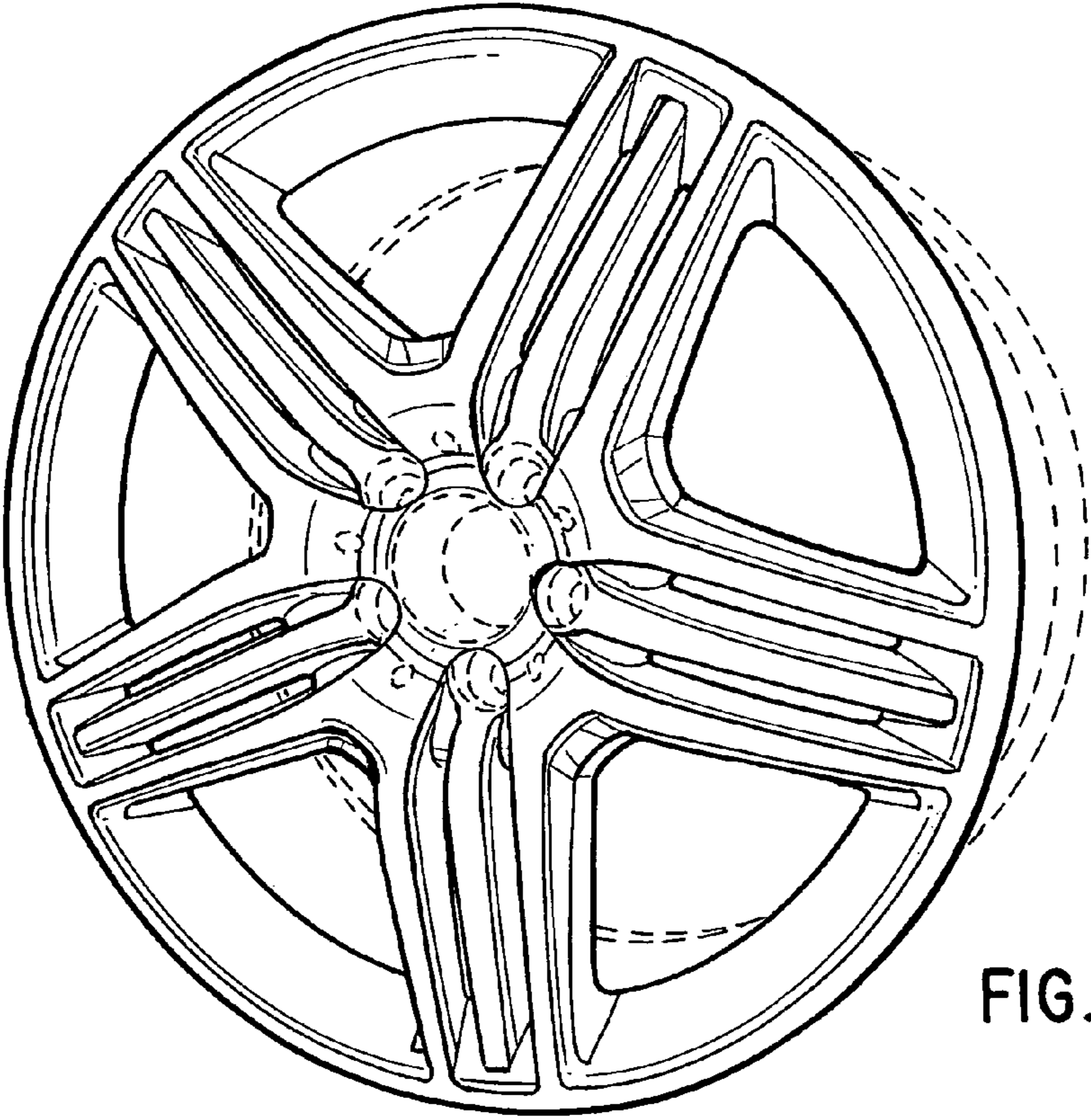


FIG. 2