



US00D618606S

(12) **United States Design Patent**
Zhao

(10) **Patent No.:** **US D618,606 S**
(45) **Date of Patent:** **** Jun. 29, 2010**

(54) **FRONT FACE OF A VEHICLE WHEEL**

(76) Inventor: **John Zhao**, 283 E. Garvey Ave.,
Monterey Park, CA (US) 91755

(**) Term: **14 Years**

(21) Appl. No.: **29/353,636**

(22) Filed: **Jan. 12, 2010**

(51) **LOC (9) Cl.** **12-16**

(52) **U.S. Cl.** **D12/209**

(58) **Field of Classification Search** D12/204-213;
301/37.101, 64.101, 65, 64.201

See application file for complete search history.

(56) **References Cited**

U.S. PATENT DOCUMENTS

| | | | |
|--------------|---------|-------------------|---------|
| D382,242 S * | 8/1997 | Brown et al. | D12/209 |
| D396,838 S * | 8/1998 | Mills | D12/209 |
| D442,531 S * | 5/2001 | Brintouch | D12/204 |
| D464,308 S * | 10/2002 | Chung | D12/209 |
| D495,287 S * | 8/2004 | Wang | D12/209 |
| D501,173 S * | 1/2005 | Walbey, Jr. | D12/209 |
| D512,008 S * | 11/2005 | Tirado | D12/209 |
| D533,126 S * | 12/2006 | Looho | D12/209 |
| D535,008 S * | 1/2007 | Wu | D12/209 |

| | | | |
|--------------|---------|------------------|---------|
| D540,731 S * | 4/2007 | Evans | D12/209 |
| D541,723 S * | 5/2007 | Musser | D12/209 |
| D547,709 S * | 7/2007 | James | D12/209 |
| D547,710 S * | 7/2007 | Guevara | D12/209 |
| D550,138 S * | 9/2007 | Walbey, Jr. | D12/209 |
| D557,192 S * | 12/2007 | Walbey, Jr. | D12/209 |
| D575,717 S * | 8/2008 | Hetrick | D12/209 |
| D592,579 S * | 5/2009 | Tirado | D12/209 |

* cited by examiner

Primary Examiner—Stacia Cadmus

(74) *Attorney, Agent, or Firm*—Procopio, Cory, Hargreaves
& Savitch LLP

(57) **CLAIM**

The ornamental design for a front face of a vehicle wheel, as shown and described.

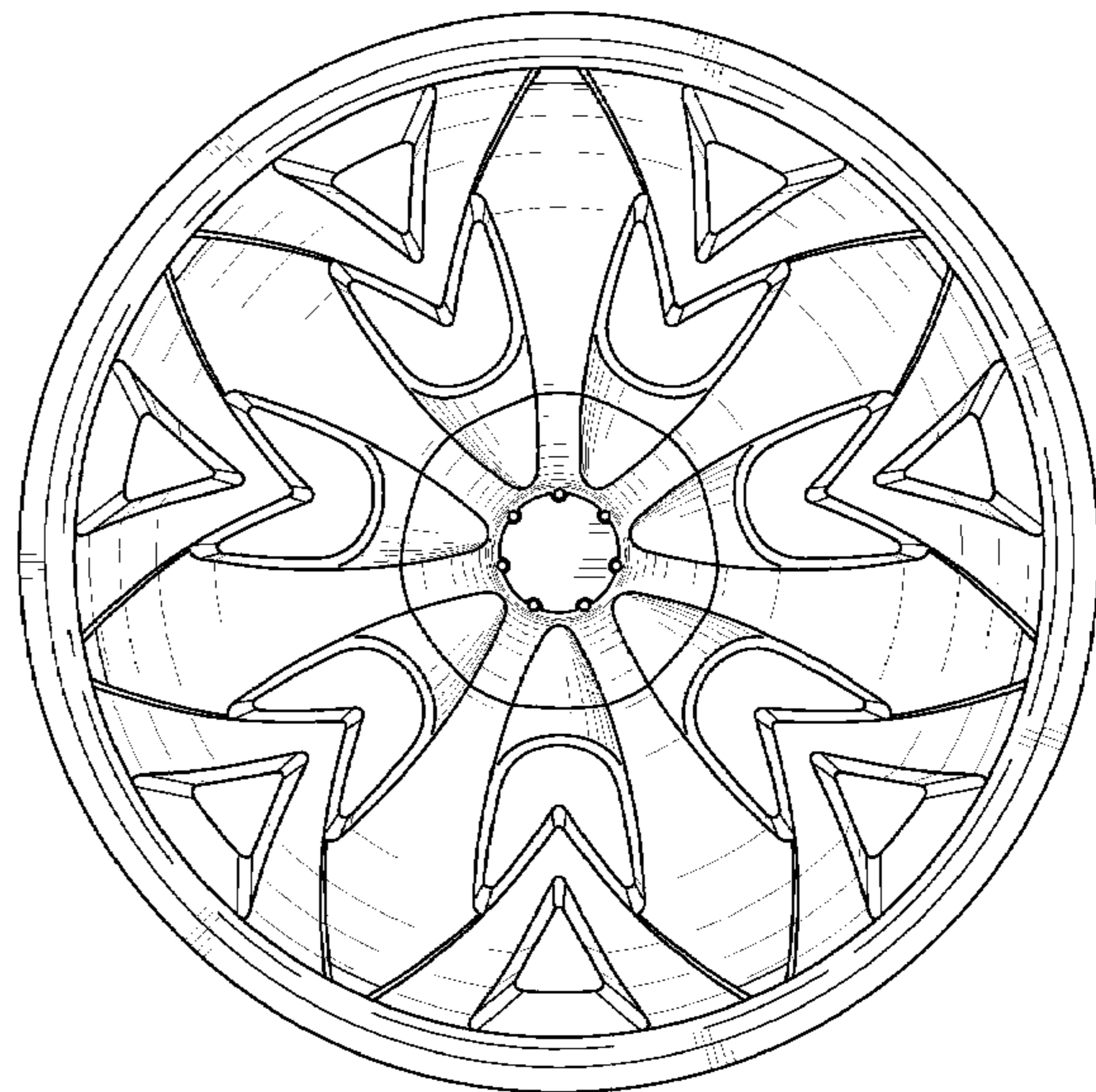
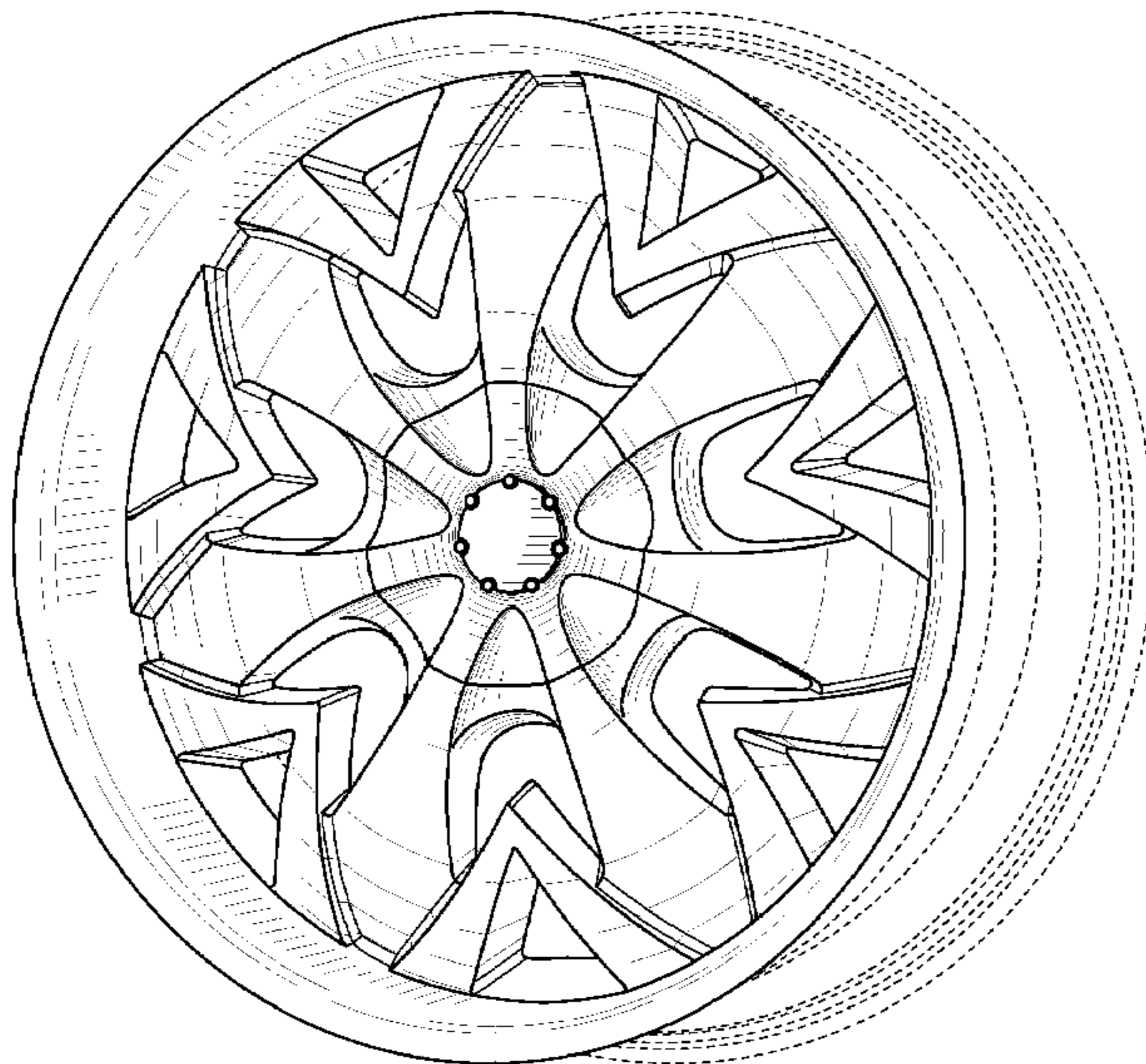
DESCRIPTION

FIG. 1 is a perspective view of a front face of a vehicle wheel embodying my new design; and,

FIG. 2 is a front view thereof.

The broken lines are for illustrative purposes only and form no part of the claimed design.

1 Claim, 2 Drawing Sheets



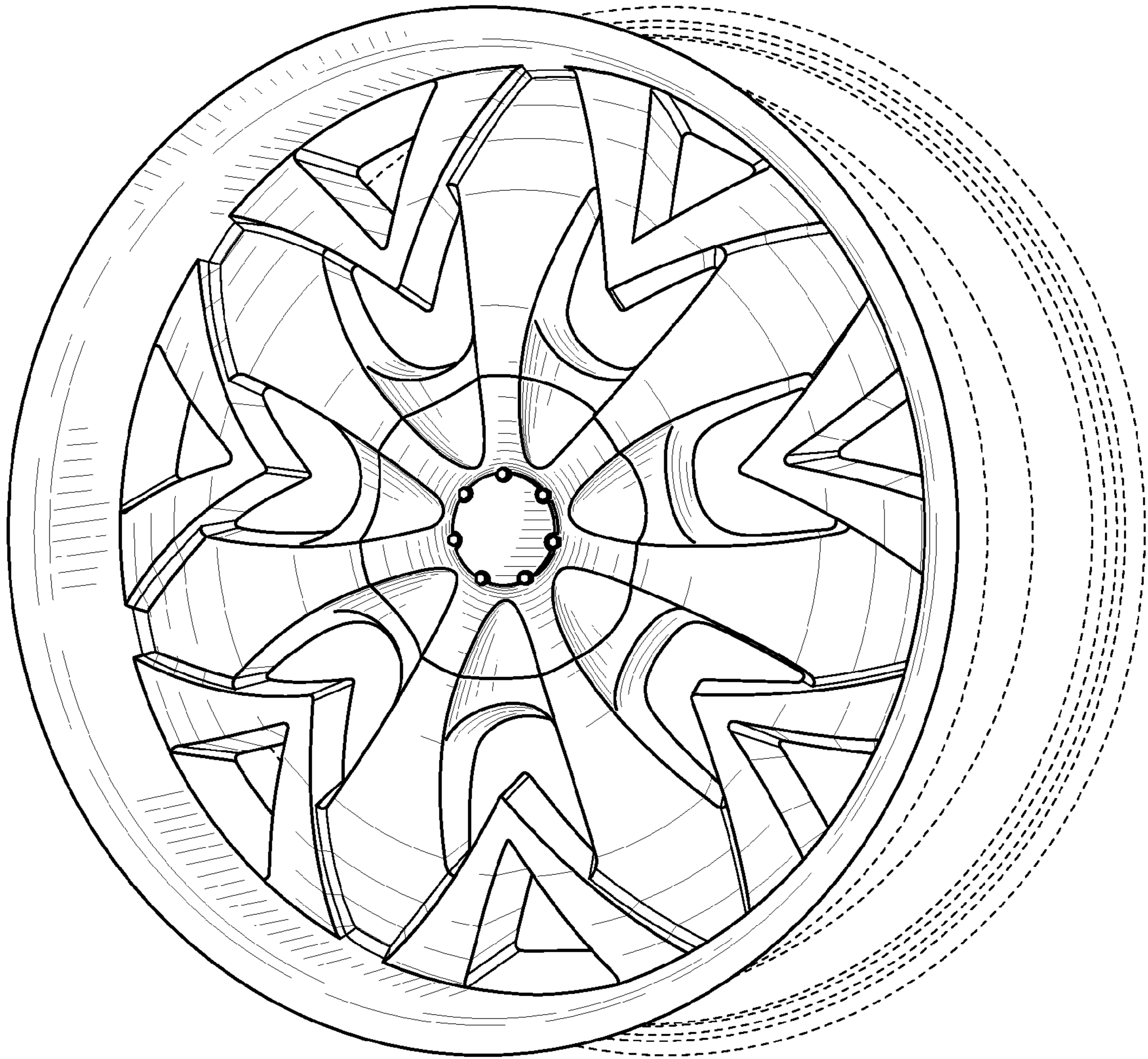


FIG. 1

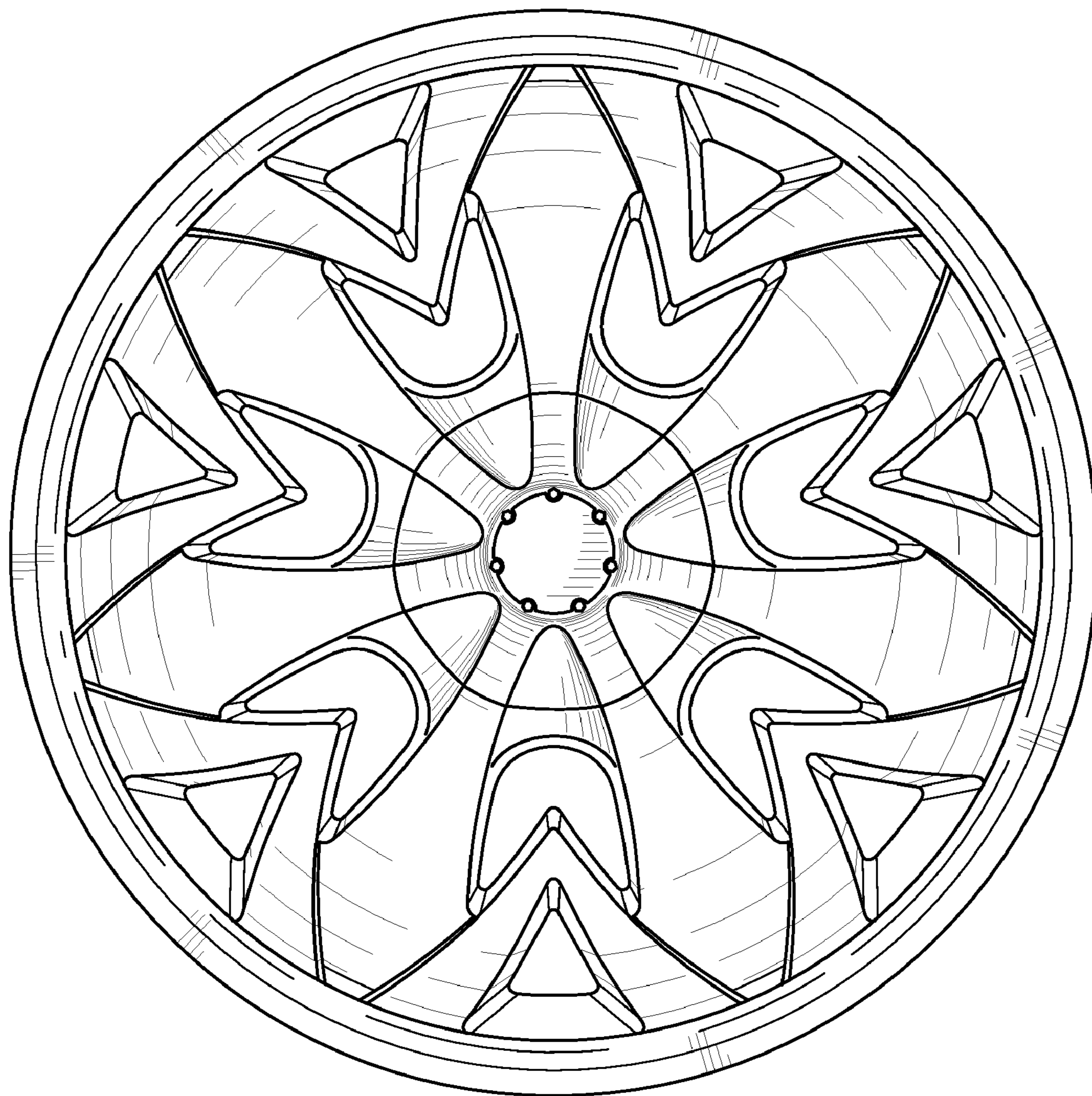


FIG. 2