



US00D618605S

(12) **United States Design Patent**
Zhao

(10) **Patent No.:** **US D618,605 S**

(45) **Date of Patent:** **** Jun. 29, 2010**

(54) **FRONT FACE OF A VEHICLE WHEEL**

(76) Inventor: **John Zhao**, 283 E. Garvey Ave.,
Monterey Park, CA (US) 91756

(**) Term: **14 Years**

(21) Appl. No.: **29/352,736**

(22) Filed: **Dec. 24, 2009**

(51) **LOC (9) Cl.** **12-16**

(52) **U.S. Cl.** **D12/209**

(58) **Field of Classification Search** D12/204-213;
301/37.101, 64.101, 65, 64.201

See application file for complete search history.

(56) **References Cited**

U.S. PATENT DOCUMENTS

| | | | | |
|--------------|---------|----------|-------|---------|
| D447,106 S * | 8/2001 | Chung | | D12/209 |
| D461,155 S * | 8/2002 | Takechi | | D12/209 |
| D479,177 S * | 9/2003 | Nordmann | | D12/211 |
| D481,347 S * | 10/2003 | Kang | | D12/211 |
| D523,386 S * | 6/2006 | Khan | | D12/209 |
| D526,609 S * | 8/2006 | Hosoi | | D12/209 |

D531,562 S * 11/2006 Kim D12/209

D540,730 S * 4/2007 Musser D12/209

D591,663 S * 5/2009 Chung D12/211

D592,118 S * 5/2009 Chung D12/209

D604,683 S * 11/2009 Hosai D12/209

* cited by examiner

Primary Examiner—Stacia Cadmus

(74) *Attorney, Agent, or Firm*—Procopio, Cory, Hargreaves
& Savitch LLP

(57) **CLAIM**

The ornamental design for a front face of a vehicle wheel, as shown and described.

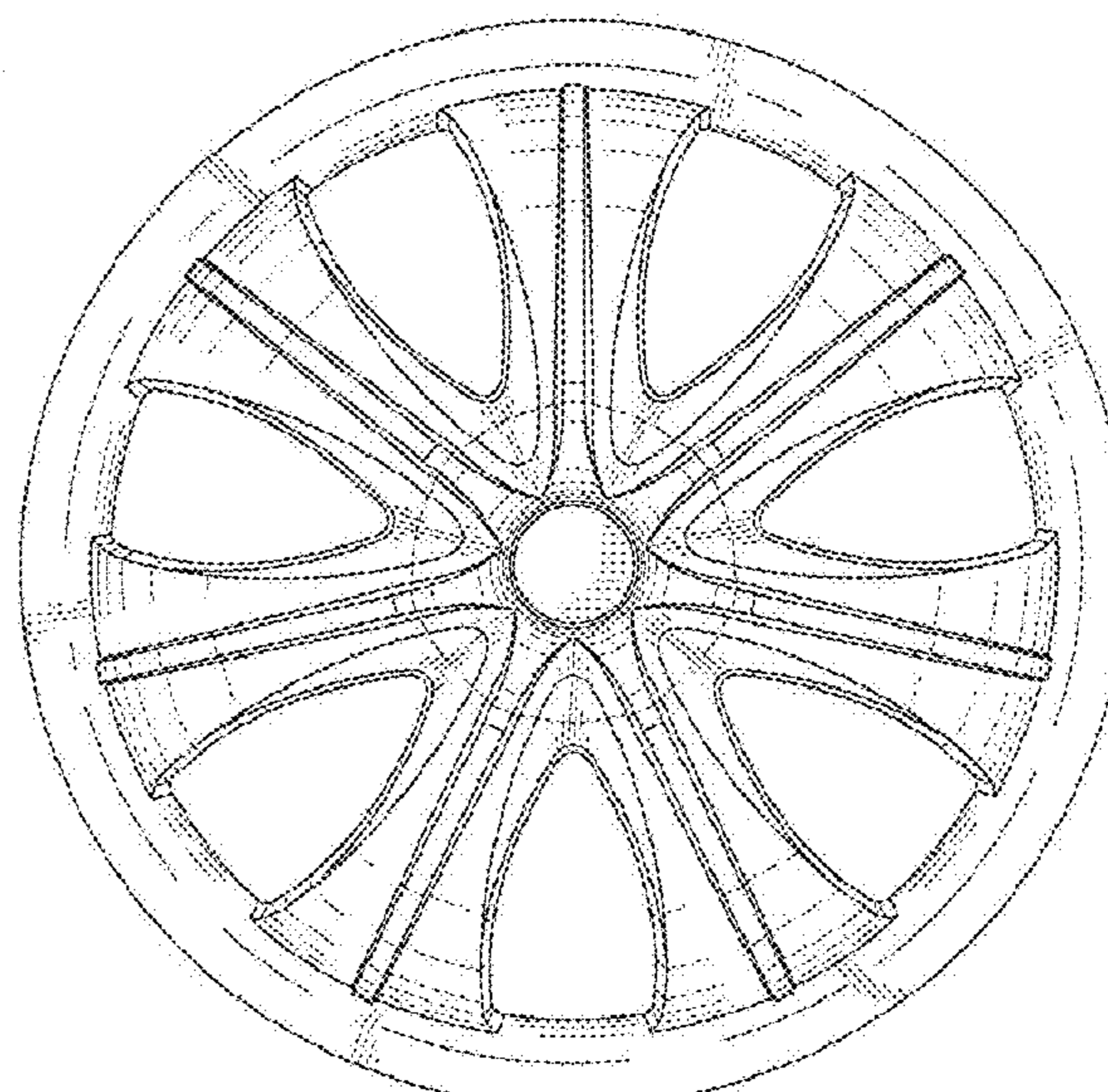
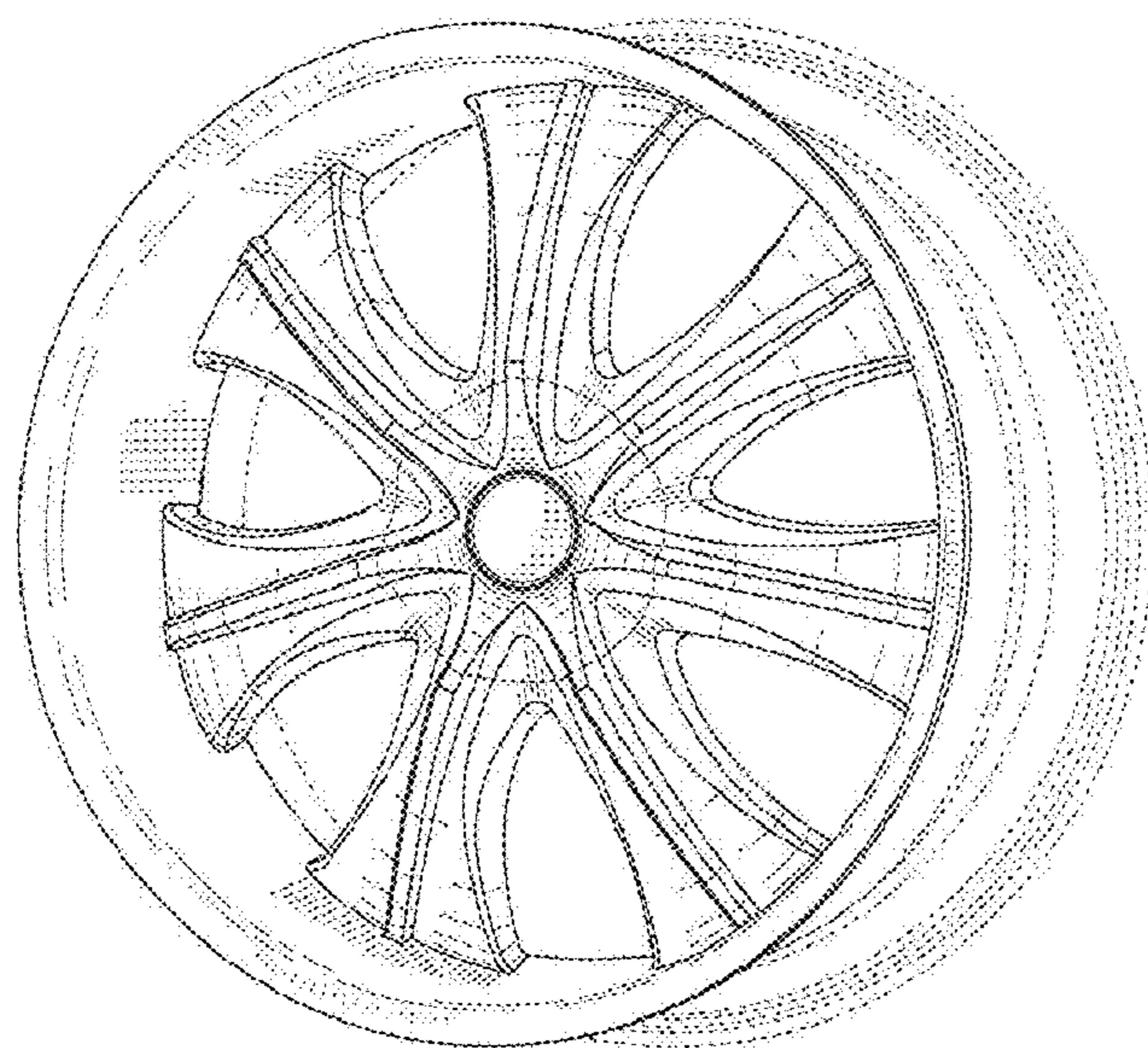
DESCRIPTION

FIG. 1 is a perspective view of a front face of a vehicle wheel embodying my new design; and,

FIG. 2 is a front view thereof.

The broken lines are for illustrative purposes only and form no part of the claimed design.

1 Claim, 2 Drawing Sheets



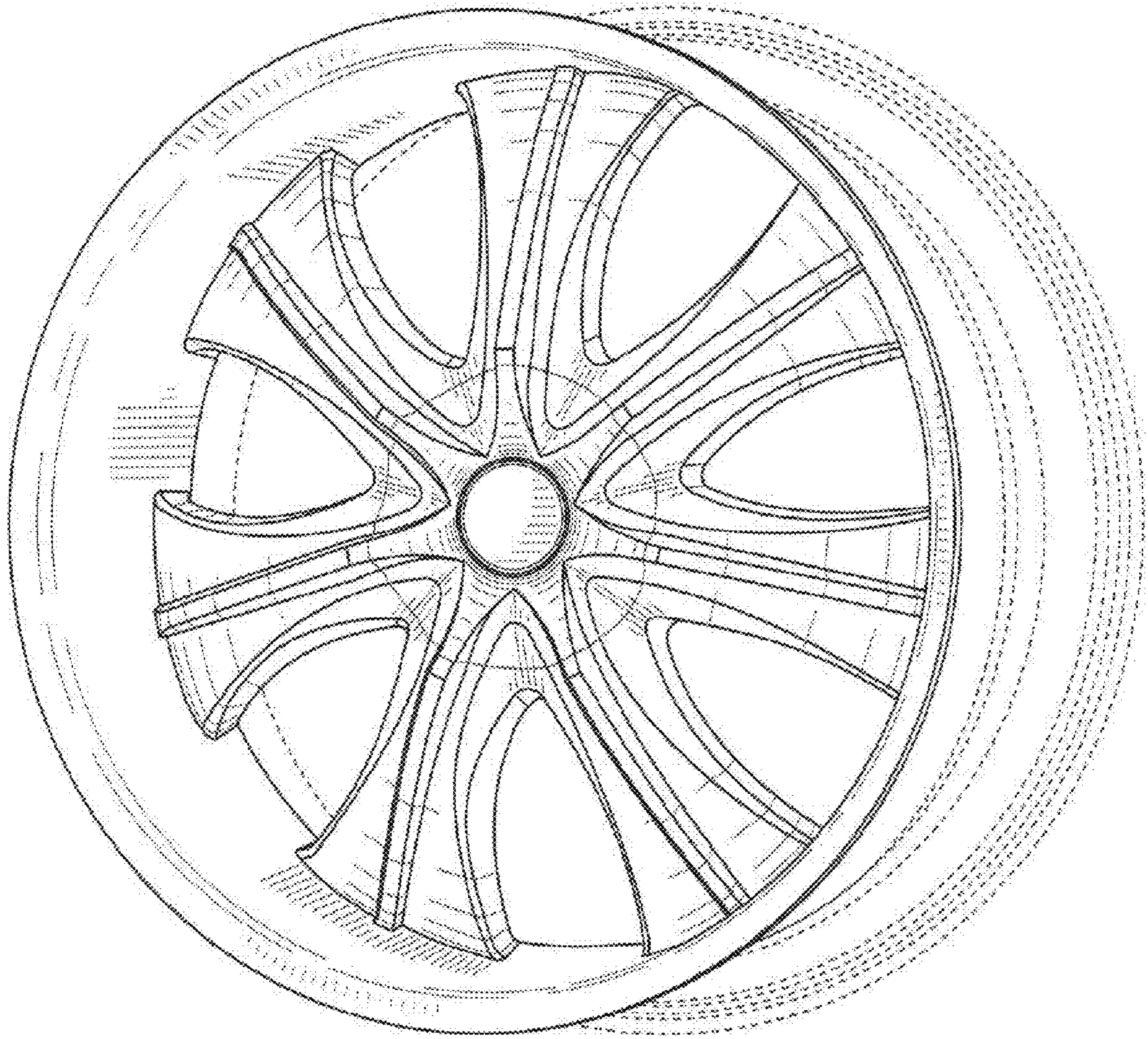


FIG. 1

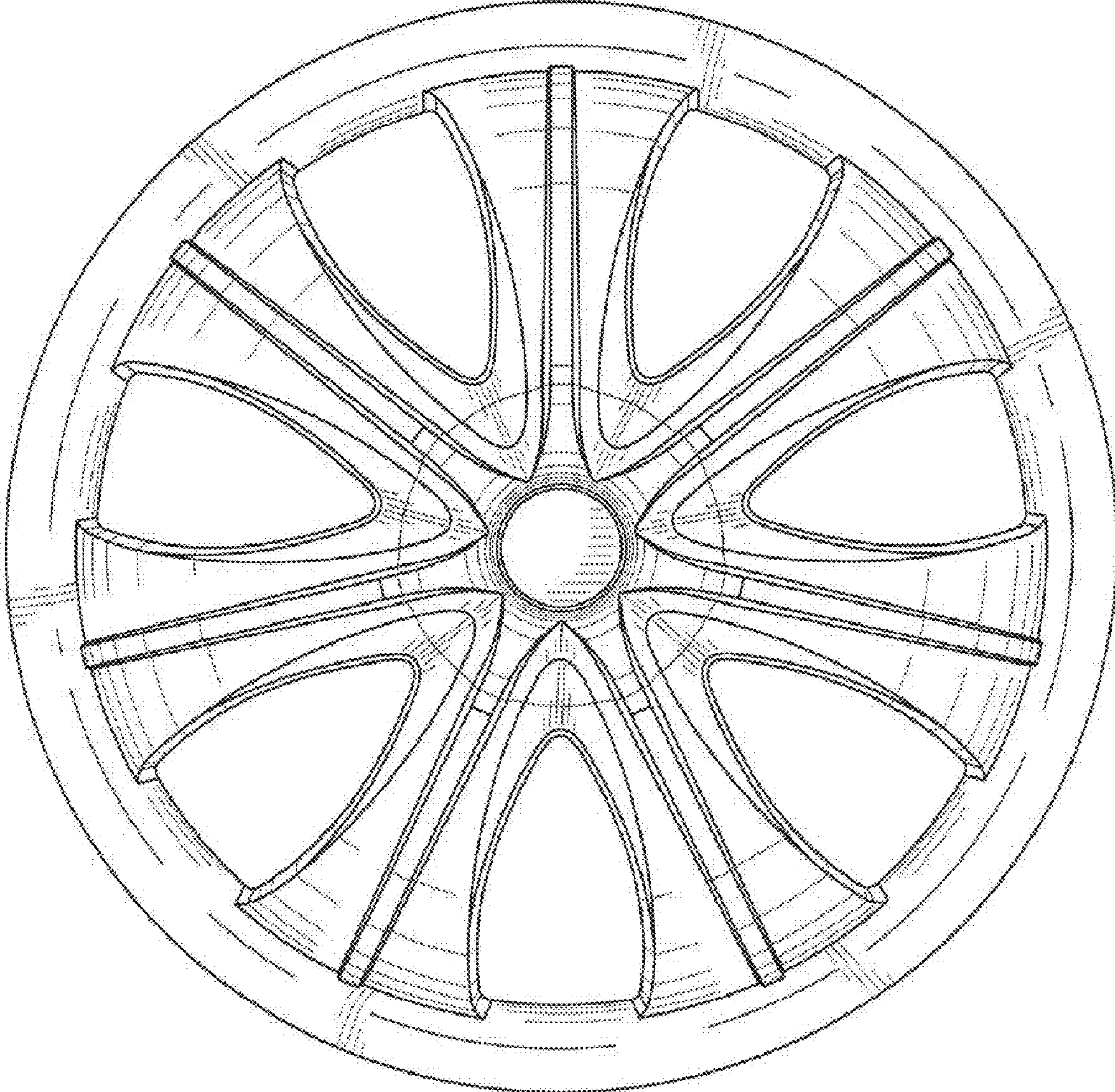


FIG. 2